



US00D770178S

(12) **United States Design Patent** (10) **Patent No.:** **US D770,178 S**
Guyon et al. (45) **Date of Patent:** **** Nov. 1, 2016**

(54) **HANDBAG**
(71) Applicant: **S.A.S. JEAN CASSEGRAIN**, Paris (FR)
(72) Inventors: **Isabelle Guyon**, Paris (FR); **Sophie Delafontaine**, Versailles (FR); **Philippe Cassegrain**, Paris (FR)
(73) Assignee: **S.A.S. JEAN CASSEGRAIN**, Paris (FR)
(**) Term: **15 Years**
(21) Appl. No.: **29/532,172**
(22) Filed: **Jul. 2, 2015**

D510,799 S 10/2005 Cassegrain
D530,083 S 10/2006 Guyon
D530,508 S 10/2006 Delafontaine
D530,509 S 10/2006 Delafontaine
D530,909 S 10/2006 Cassegrain
D530,910 S 10/2006 Guyon
D534,350 S 1/2007 Guyon
D536,523 S 2/2007 Guyon
D539,535 S 4/2007 Guyon
D570,105 S 6/2008 Guyon et al.
D570,107 S 6/2008 Guyon et al.
D635,358 S 4/2011 Guyon et al.
D648,123 S 11/2011 Guyon et al.
D649,780 S * 12/2011 Fendi D3/245
D670,078 S 11/2012 Guyon et al.
D670,907 S 11/2012 Guyon et al.
D670,908 S 11/2012 Guyon et al.

(Continued)

(30) **Foreign Application Priority Data**

Jan. 7, 2015 (EP) 002609263

(51) **LOC (10) Cl.** **03-01**

(52) **U.S. Cl.**
USPC **D3/245**

(58) **Field of Classification Search**
USPC D3/232-233, 240-243, 245-246
CPC A45C 1/024; A45C 3/06
See application file for complete search history.

(56) **References Cited**

U.S. PATENT DOCUMENTS

D452,073 S 12/2001 Cassegrain
D489,893 S 5/2004 Guyon
D489,894 S 5/2004 Guyon
D489,895 S 5/2004 Guyon
D489,897 S 5/2004 Guyon
D495,486 S 9/2004 Cassegrain
D501,081 S 1/2005 Guyon
D501,596 S 2/2005 Cassegrain
D501,599 S 2/2005 Guyon
D501,717 S 2/2005 Guyon
D504,015 S 4/2005 Delafontaine
D504,227 S 4/2005 Delafontaine

OTHER PUBLICATIONS

Book Collection, Memphis, Automne, LongChamp, Paris, 2015, pp. 1-67.

Primary Examiner — Holly Baynham

(74) *Attorney, Agent, or Firm* — Gottlieb, Rackman & Reisman P.C.

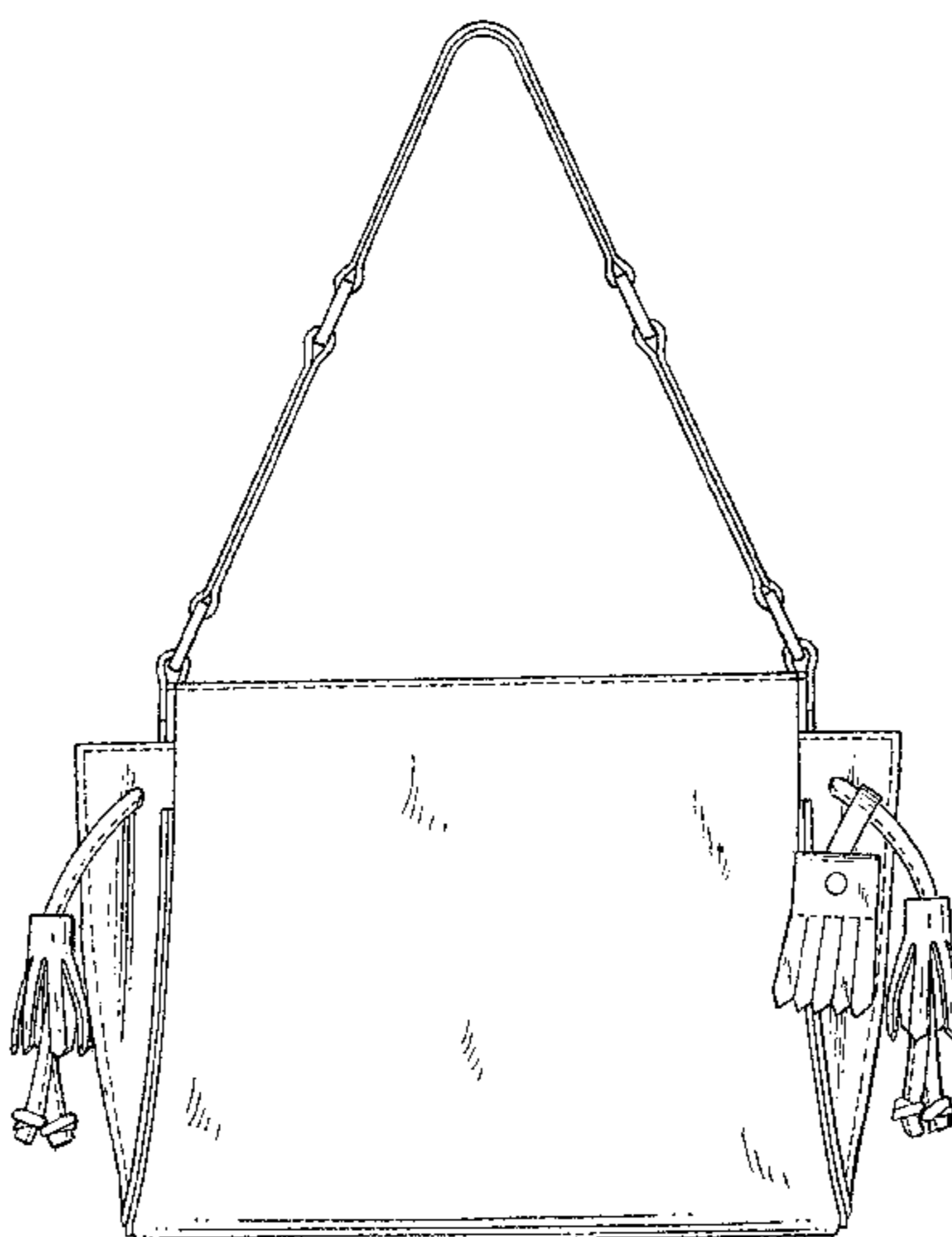
(57) **CLAIM**

The ornamental design for a handbag, as shown and described.

DESCRIPTION

FIG. 1 is a front elevational view of the handbag showing our new design;
FIG. 2 is a top plan view thereof;
FIG. 3 is a right side elevational view thereof;
FIG. 4 is a left side elevational view thereof;
FIG. 5 is a rear elevational view thereof; and,
FIG. 6 is a bottom plan view thereof.
The broken lines in FIGS. 1-6 show the stitching and are part of the claimed design.

1 Claim, 4 Drawing Sheets



(56)

References Cited

U.S. PATENT DOCUMENTS

D674,602 S *	1/2013	Gerbi	D3/245	D721,889 S *	2/2015	Simons	D3/245
D683,959 S	6/2013	Guyon et al.		D728,227 S *	5/2015	Hawkes	D3/245
D696,860 S	1/2014	Guyon et al.		D730,043 S *	5/2015	Morelli	D3/245
D698,146 S *	1/2014	Deneve	D3/245	D745,779 S *	12/2015	Kuster	D3/245
				D756,113 S *	5/2016	Slimane	D3/232
				D761,018 S *	7/2016	Gamble	D3/245

* cited by examiner

FIG. 1

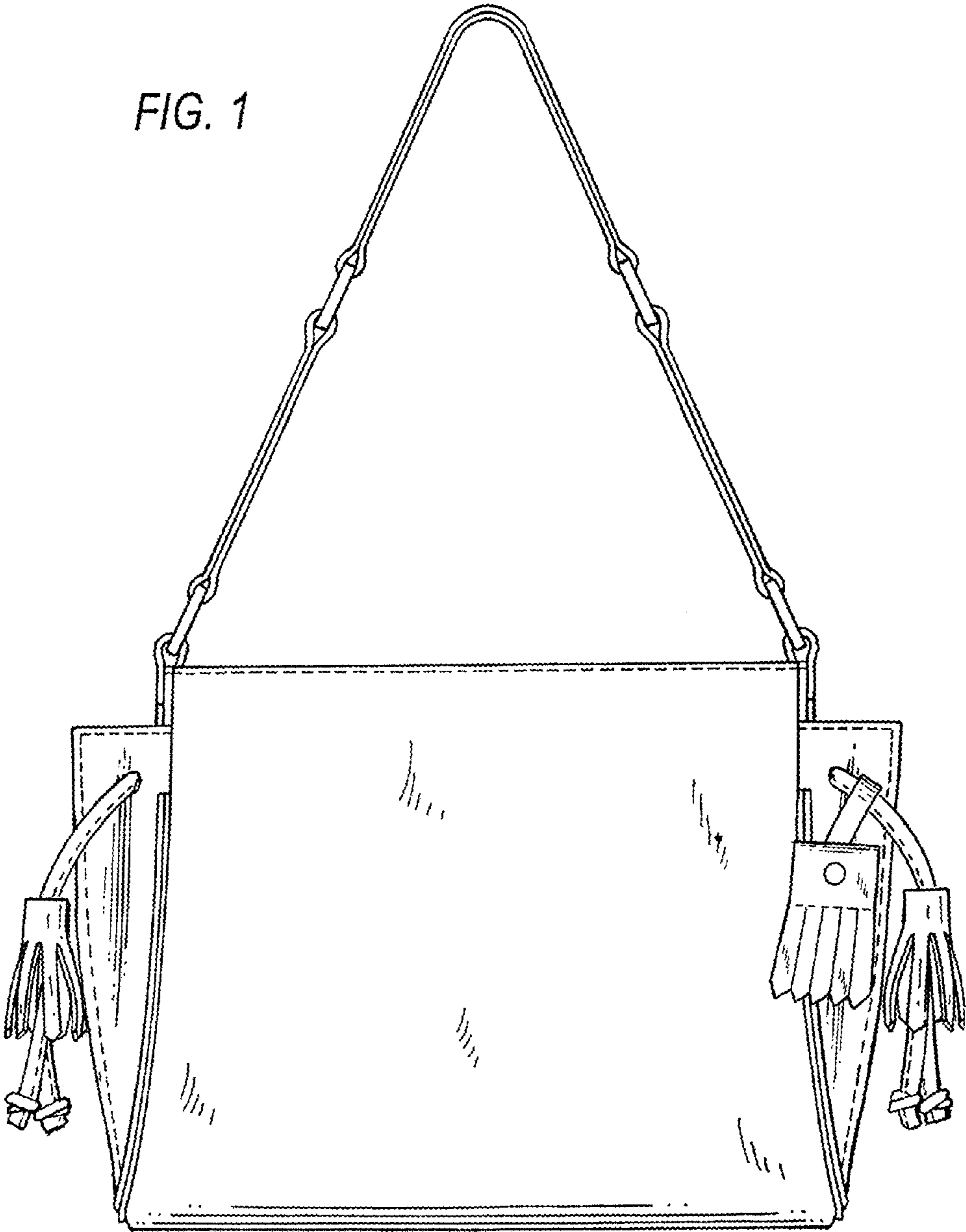


FIG. 2

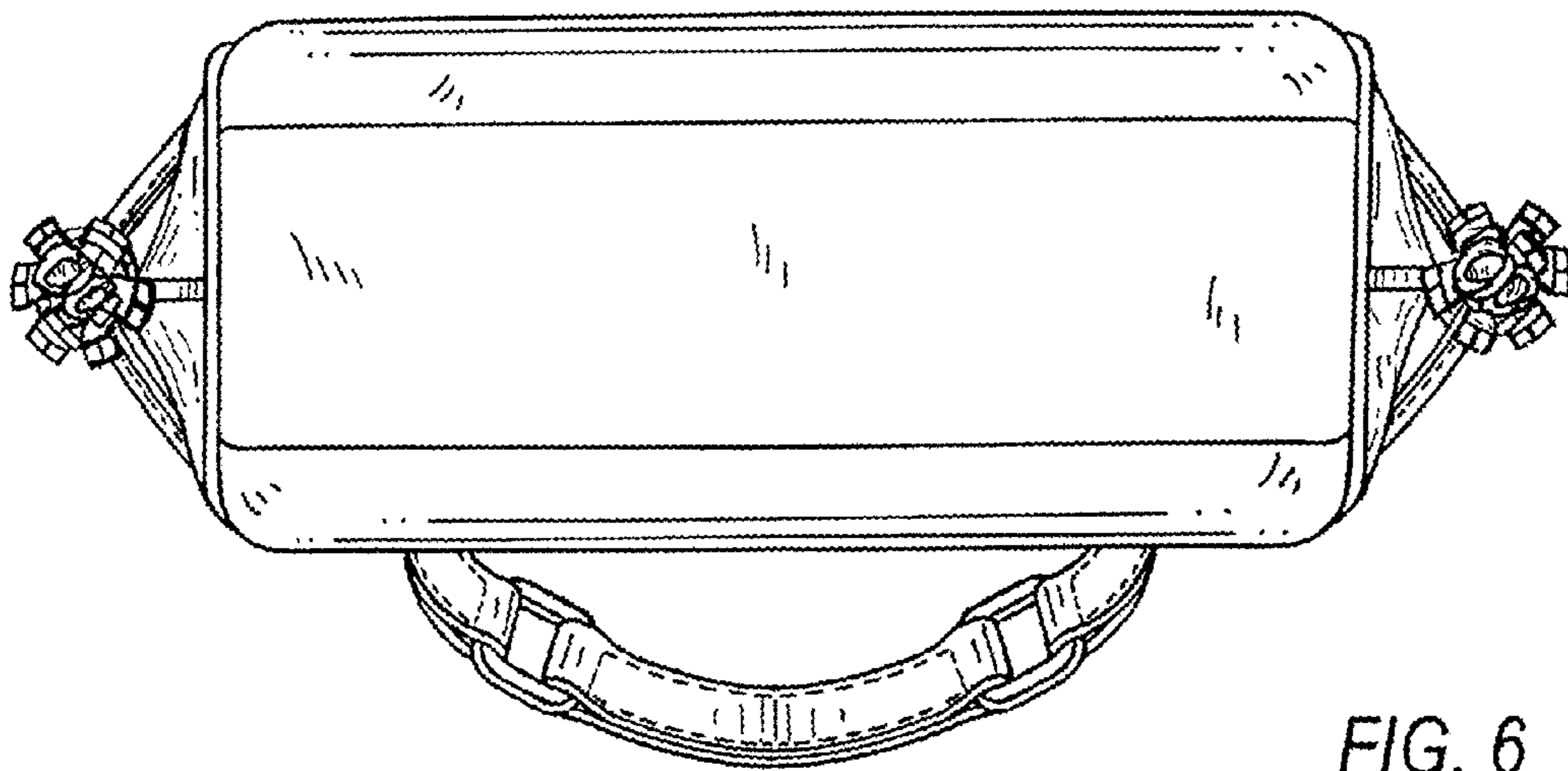
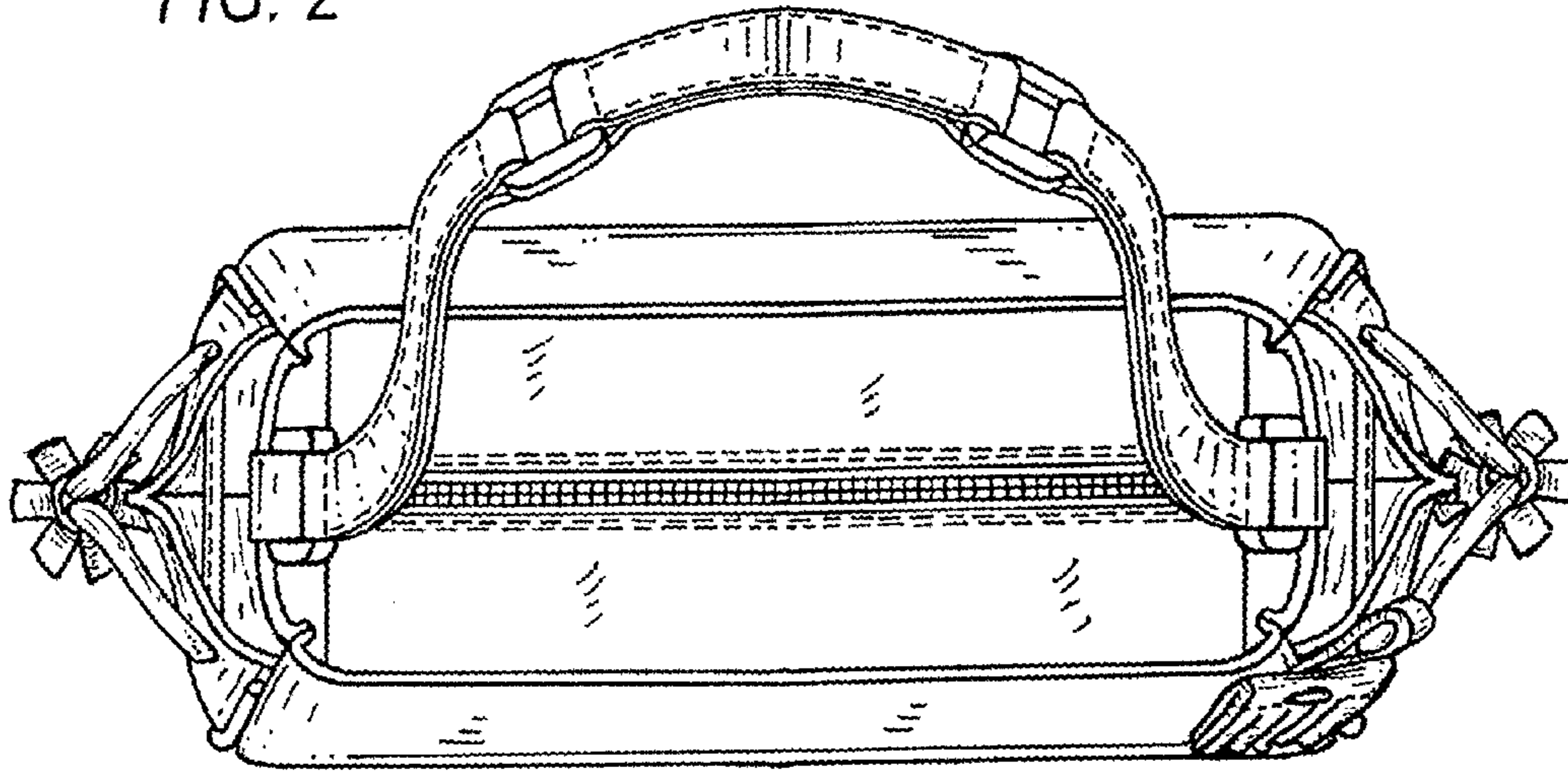


FIG. 6

FIG. 3

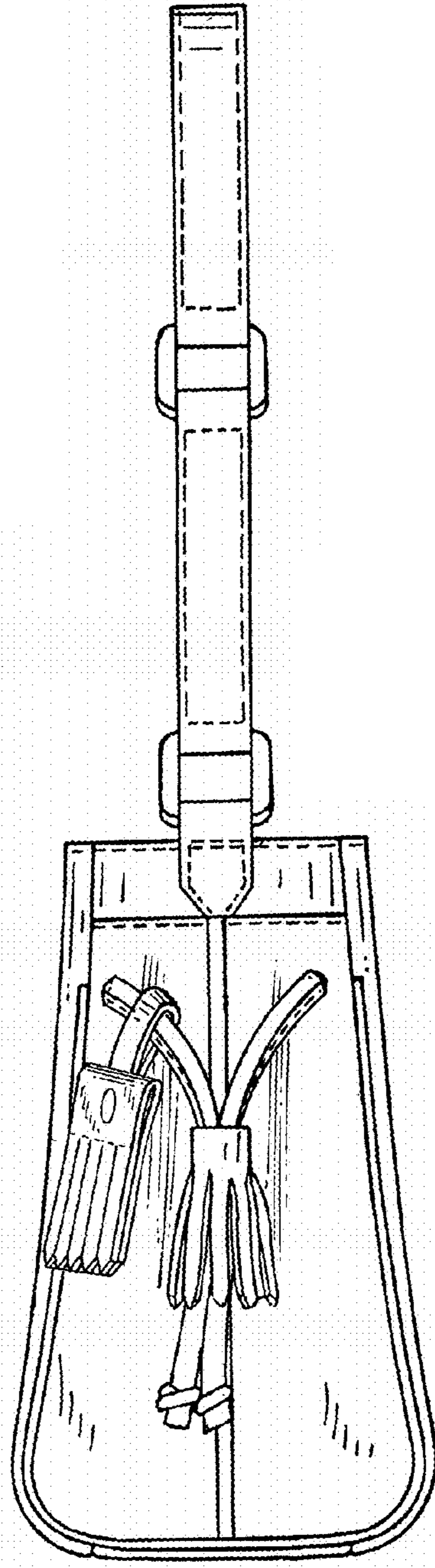
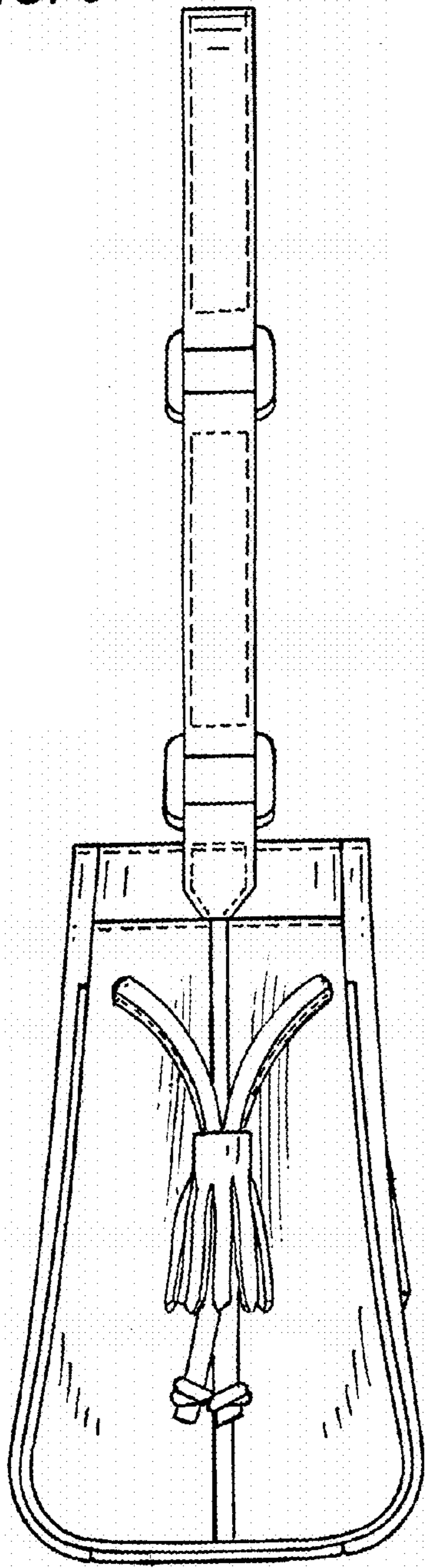


FIG. 4

