



US00D770175S

(12) **United States Design Patent**  
**Michele**

(10) **Patent No.:** **US D770,175 S**  
(45) **Date of Patent:** **\*\* Nov. 1, 2016**

- (54) **HANDBAG**
- (71) Applicant: **Guccio Gucci S.p.A.**, Florence (IT)
- (72) Inventor: **Alessandro Michele**, Rome (IT)
- (73) Assignee: **Guccio Gucci S.p.A.**, Florence (IT)
- (\*\*) Term: **15 Years**

- (21) Appl. No.: **29/529,246**
- (22) Filed: **Jun. 4, 2015**
- (51) **LOC (10) Cl.** ..... **03-01**
- (52) **U.S. Cl.**  
USPC ..... **D3/243**
- (58) **Field of Classification Search**  
USPC ..... D3/232-233, 240-243, 245-246  
CPC ..... A45C 1/024; A45C 3/06  
See application file for complete search history.

(56) **References Cited**  
U.S. PATENT DOCUMENTS

- D415,893 S \* 11/1999 Inbert ..... D3/232
- D609,004 S \* 2/2010 Dolce ..... D3/240

D686,820 S \* 7/2013 Song ..... D3/243  
\* cited by examiner

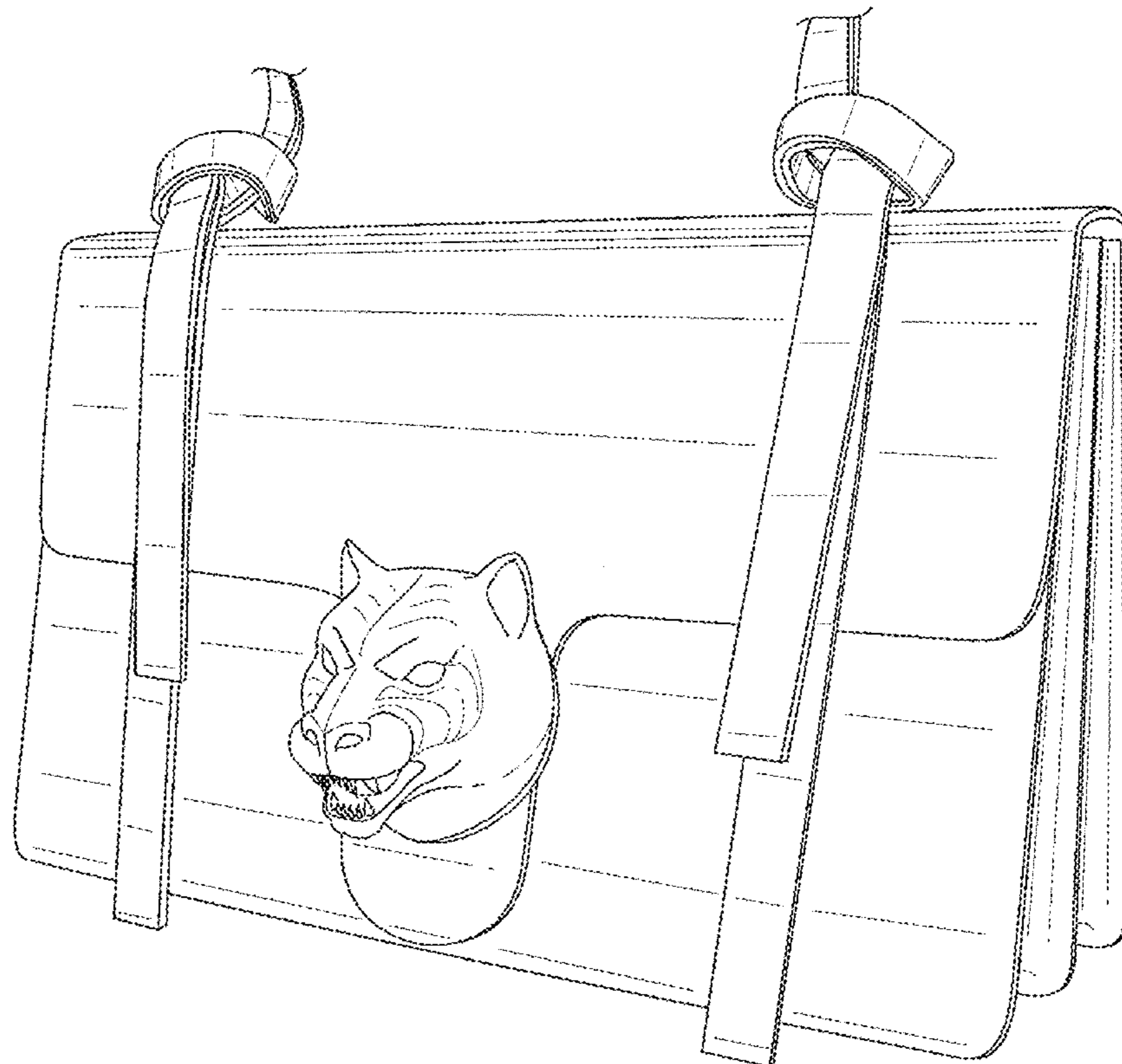
*Primary Examiner* — Holly Baynham  
(74) *Attorney, Agent, or Firm* — Kelley Drye & Warren LLP

(57) **CLAIM**  
The ornamental design for a handbag, as shown.

**DESCRIPTION**

FIG. 1 is a perspective view of a handbag showing my new design;  
FIG. 2 is a front elevational view thereof;  
FIG. 3 is a rear elevational view thereof;  
FIG. 4 is a right side elevational view thereof;  
FIG. 5 is a left side elevational view thereof;  
FIG. 6 is a top plan view thereof; and,  
FIG. 7 is a bottom plan view thereof.

**1 Claim, 7 Drawing Sheets**



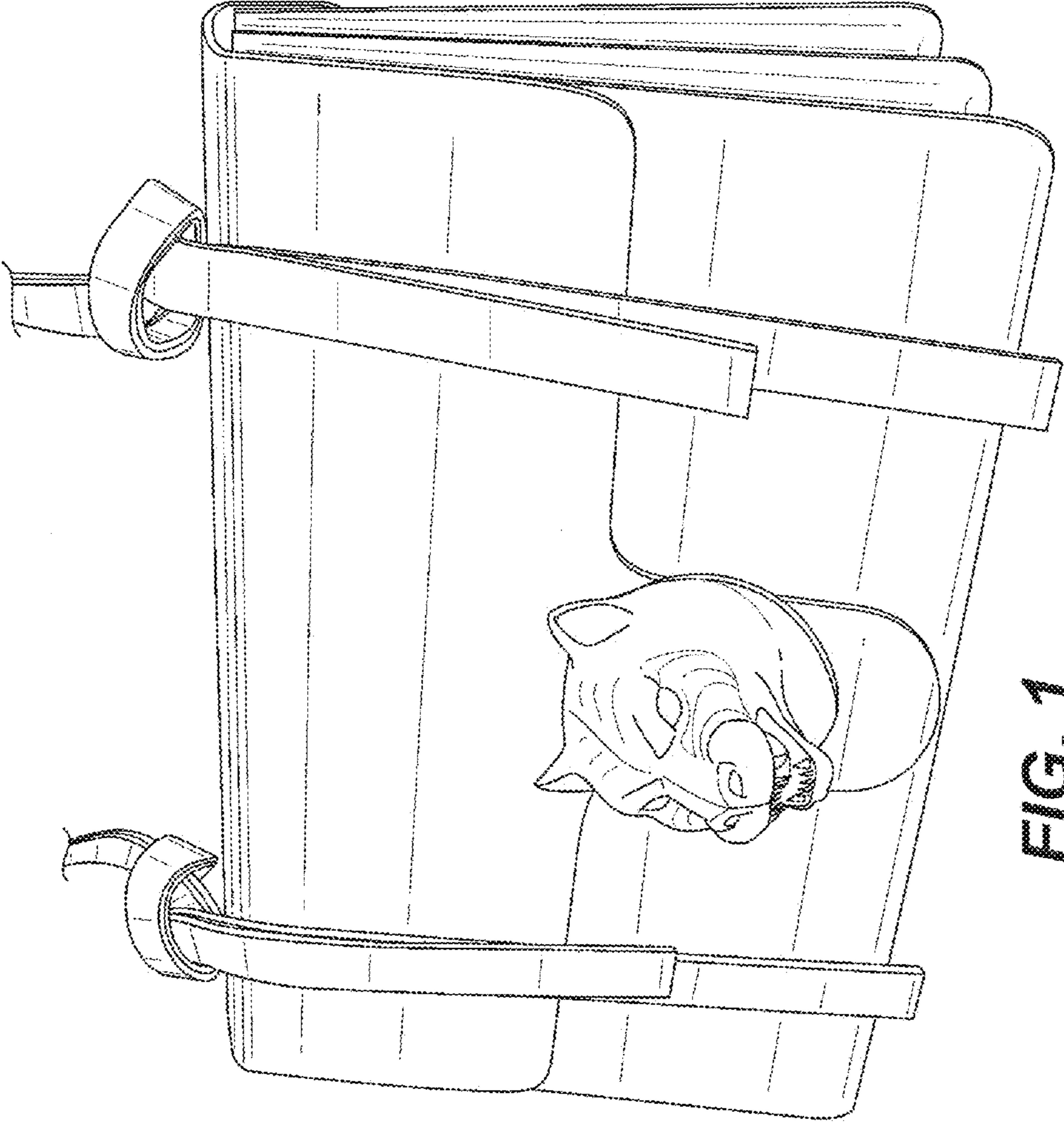


FIG. 1

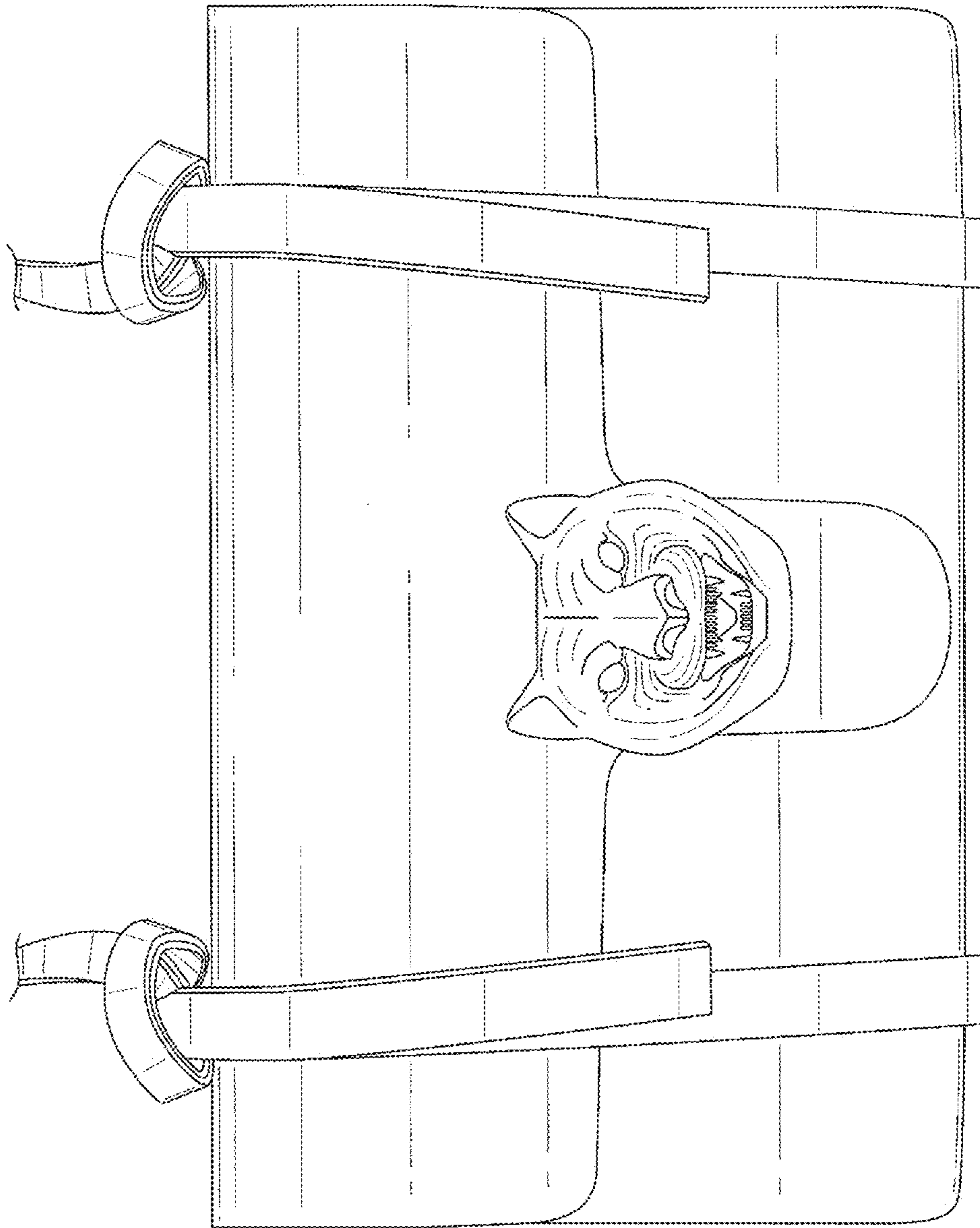


FIG. 2

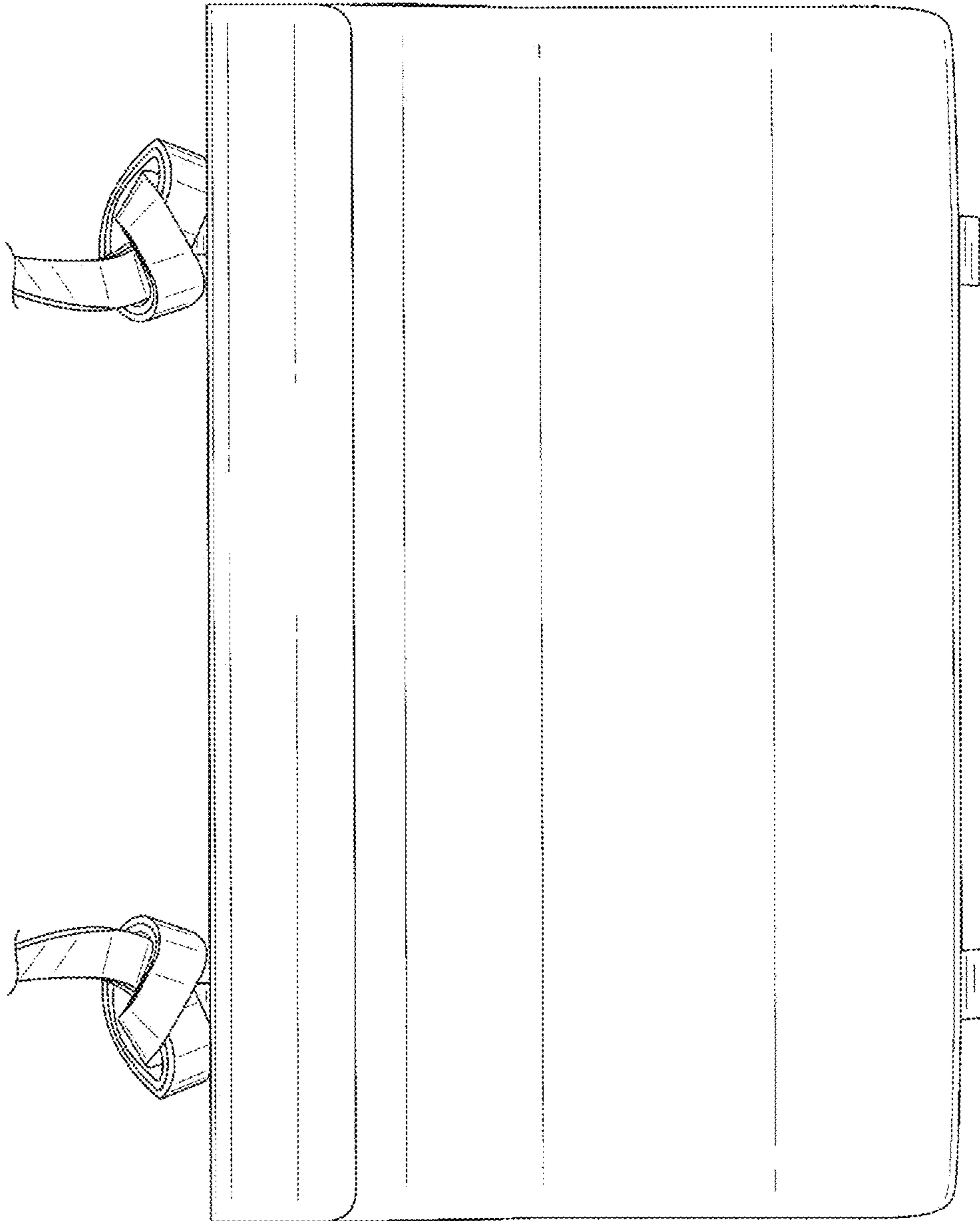


FIG. 3



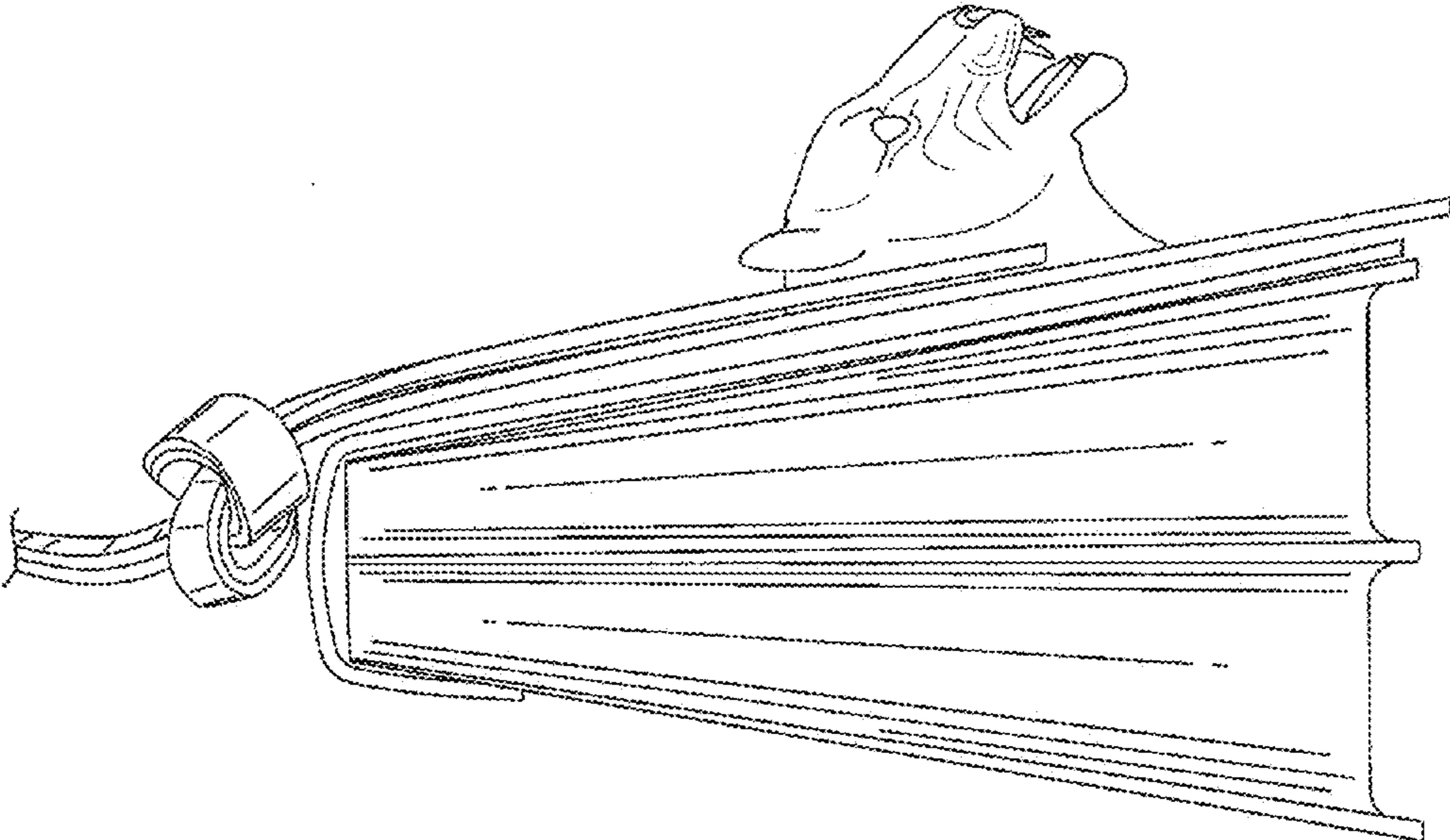


FIG. 4

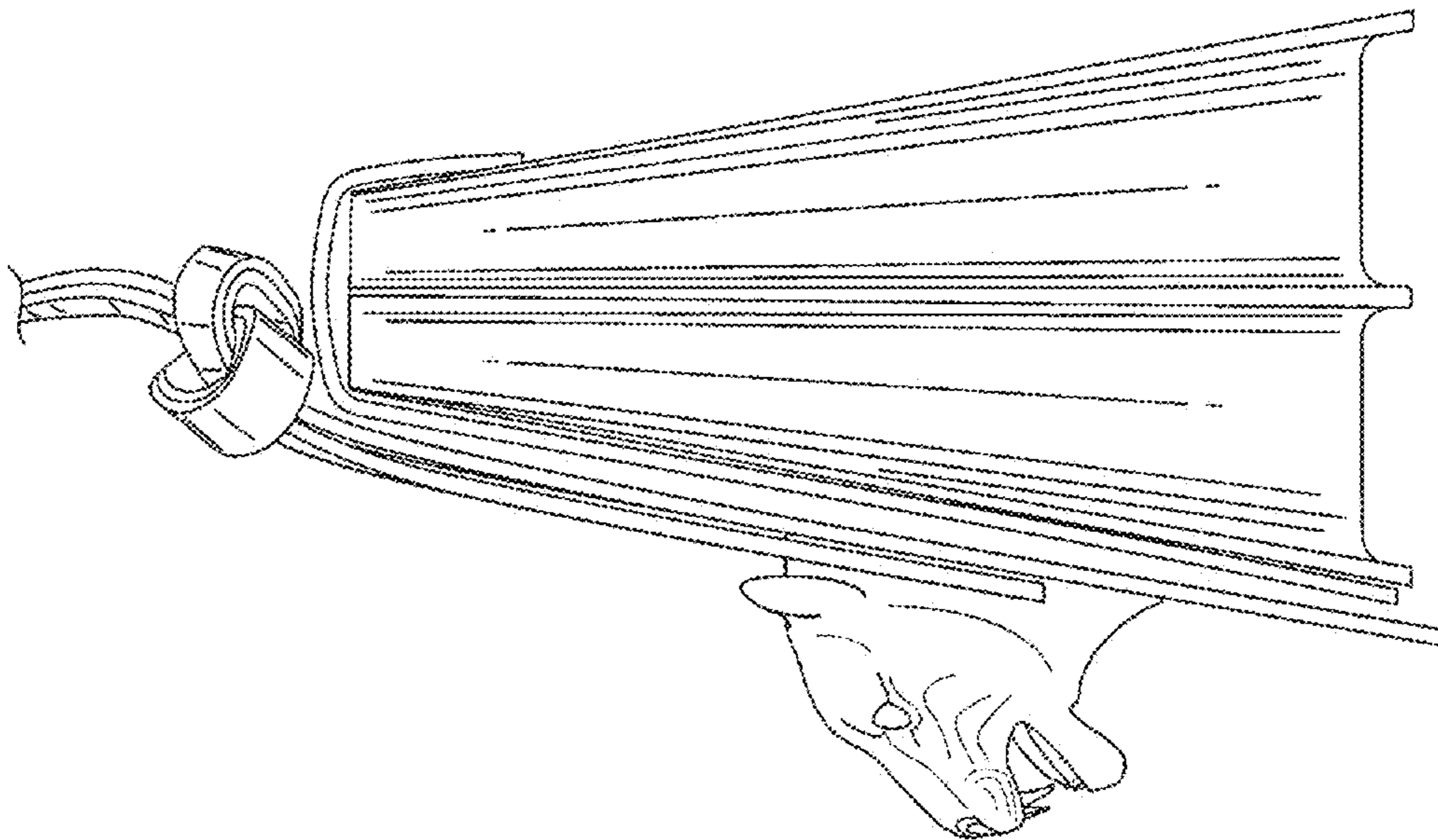


FIG. 5

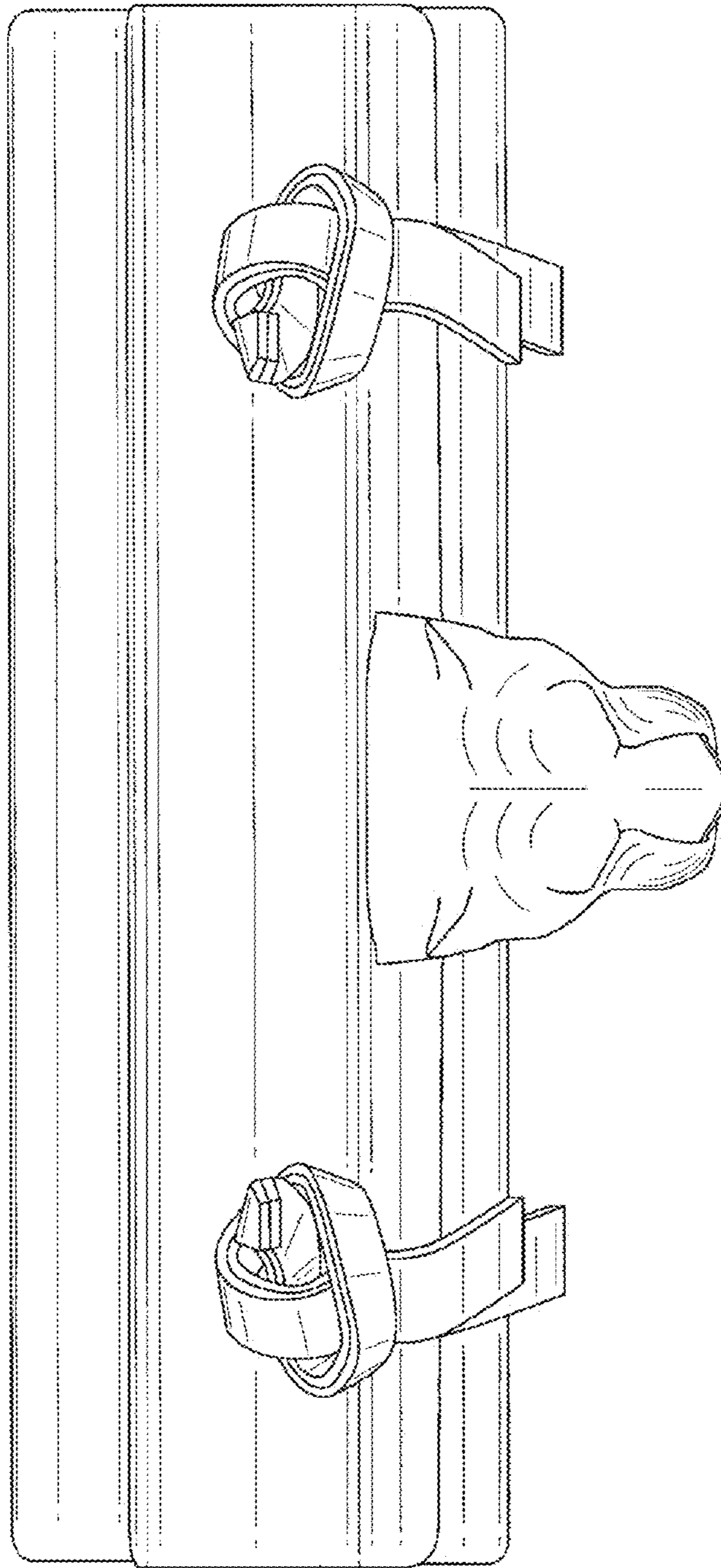


FIG. 6

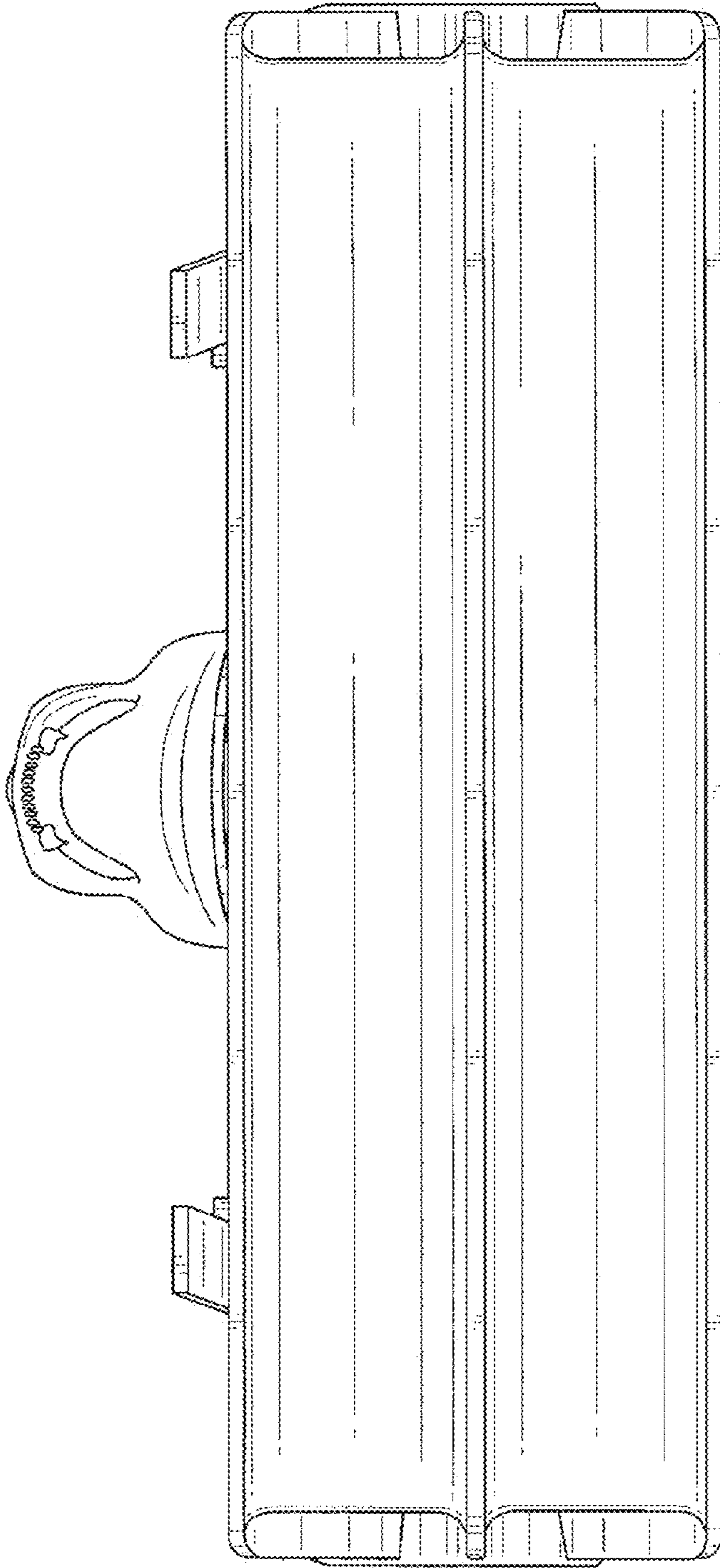


FIG. 7