



US00D770173S

(12) **United States Design Patent** (10) **Patent No.:** **US D770,173 S**
Brophy et al. (45) **Date of Patent:** **** Nov. 1, 2016**

(54) **BAG**

(71) Applicant: **Smith & Nephew, Inc.**, Memphis, TN (US)

(72) Inventors: **Edward Brophy**, Argyll and Bute (GB); **David Chadwick**, Skipton (GB); **Kathryn Ann Leigh**, Saint Petersburg, FL (US)

(73) Assignee: **Smith & Nephew, Inc.**, Memphis, TN (US)

(**) Term: **14 Years**

(21) Appl. No.: **29/492,729**

(22) Filed: **Jun. 2, 2014**

(51) **LOC (10) Cl.** **03-01**

(52) **U.S. Cl.**
USPC **D3/232**

(58) **Field of Classification Search**
USPC D3/203.1, 232-233, 240-243, 245, 246, D3/289, 301, 318; D24/108, 111; 206/570; 222/183; 383/106, 26; D14/440, 447, D14/482; 150/100, 103-110, 117-119
CPC .. A45C 1/024; A45C 3/06; A45C 2011/007; A45F 3/02; A61F 17/00
See application file for complete search history.

(56) **References Cited**

U.S. PATENT DOCUMENTS

1,220,957 A * 3/1917 Conway A45F 3/02
206/216
1,251,404 A * 12/1917 Mills A45C 3/06
119/497

(Continued)

FOREIGN PATENT DOCUMENTS

CA 2 819 475 6/2012
DE 1 000 684 1/1957

(Continued)

OTHER PUBLICATIONS

Medela Invia Motion Clinical Instructions for Use (2012) in 76 pages.

(Continued)

Primary Examiner — Derrick Holland

Assistant Examiner — Jennifer O King

(74) *Attorney, Agent, or Firm* — Knobbe, Martens, Olson & Bear LLP

(57) **CLAIM**

The ornamental design for a bag, as shown and described.

DESCRIPTION

FIG. 1 is a top, front and left side perspective view of a bag; FIG. 2 is a top, rear, and right side perspective view thereof. FIG. 3 is a front view thereof.

FIG. 4 is a rear view thereof.

FIG. 5 is a left side view thereof.

FIG. 6 is a right side view thereof.

FIG. 7 is a top plan view thereof.

FIG. 8 is a bottom plan view thereof.

FIG. 9 is a top, front, and left side perspective view thereof, with the exterior flaps shown in the open position for ease of illustration.

FIG. 10 is a top, rear, and right side perspective view thereof, with the exterior flaps shown in the open position for ease of illustration.

FIG. 11 is a front view thereof, with the exterior flaps shown in the open position for ease of illustration.

FIG. 12 is a rear view thereof, with the exterior flaps shown in the open position for ease of illustration.

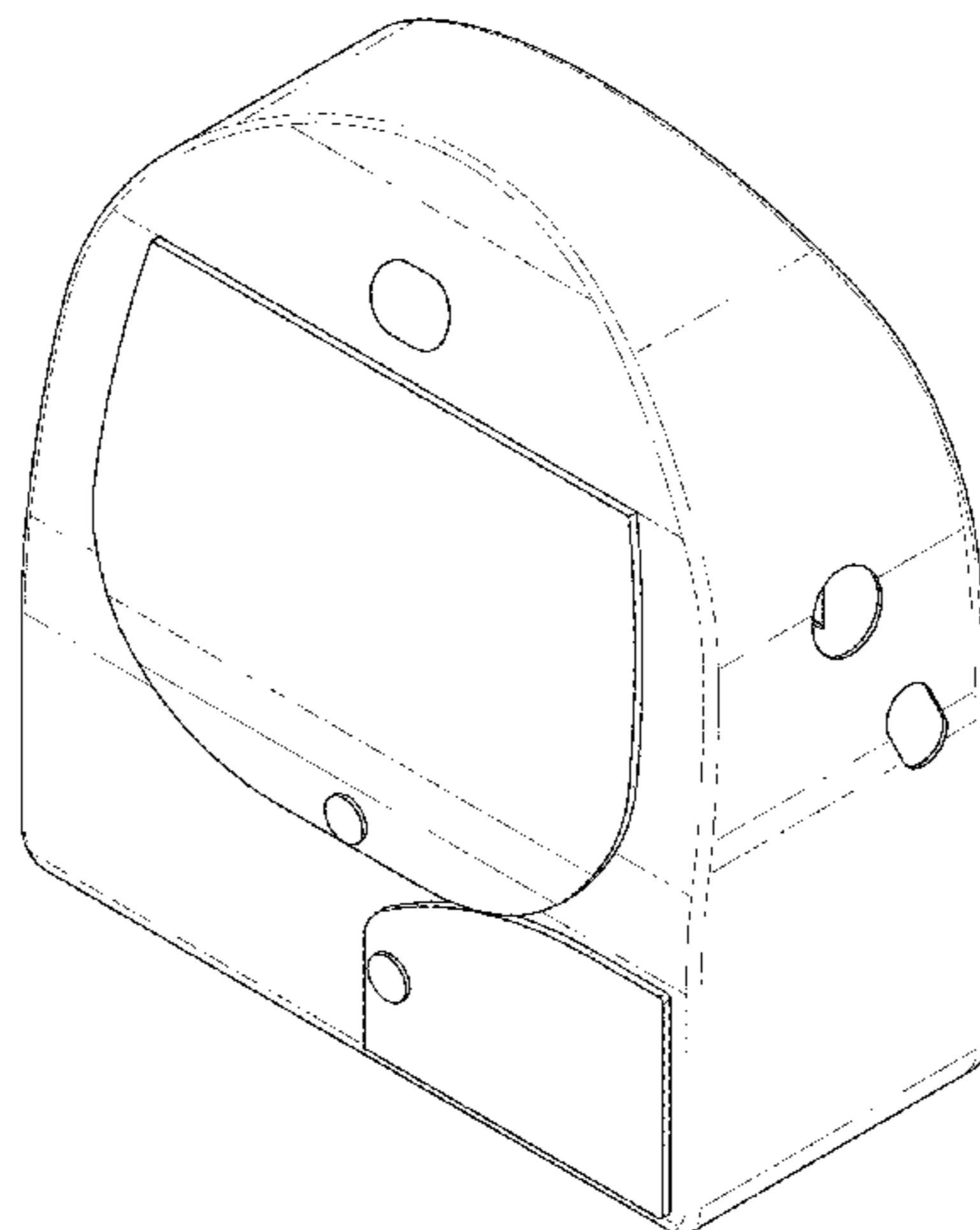
FIG. 13 is a left side view thereof, with the exterior flaps shown in the open position for ease of illustration.

FIG. 14 is a right side view thereof, with the exterior flaps shown in the open position for ease of illustration.

FIG. 15 is a top plan view thereof, with the exterior flaps shown in the open position for ease of illustration; and,

FIG. 16 is a bottom plan view thereof, with the exterior flaps shown in the open position for ease of illustration.

1 Claim, 14 Drawing Sheets



(56)

References Cited

U.S. PATENT DOCUMENTS			
1,925,694	A *	9/1933	Hawkins A45C 11/38 206/316.2
3,115,138	A	12/1963	McElvenny et al.
3,295,576	A	1/1967	Schmitt et al.
D207,194	S *	3/1967	Artmann D3/232
D247,068	S *	1/1978	Sykes D3/268
4,116,310	A *	9/1978	Shields A45F 3/02 224/576
D250,225	S *	11/1978	Sykes D3/243
4,382,441	A	5/1983	Svedman
D273,535	S *	4/1984	Weinreb 150/113
4,569,674	A	2/1986	Phillips
4,649,973	A	3/1987	Uchin
4,655,754	A	4/1987	Richmond et al.
4,710,165	A	12/1987	McNeil et al.
4,767,417	A	8/1988	Boehringer
4,832,299	A	5/1989	Gorton et al.
4,930,997	A	6/1990	Bennett
4,969,880	A	11/1990	Zamierowski
4,979,944	A	12/1990	Luzsicza
5,083,700	A *	1/1992	Mello B65D 5/4204 206/806
D325,126	S *	4/1992	Costello D3/203.8
5,134,994	A	8/1992	Say
5,176,663	A	1/1993	Svedman et al.
5,215,523	A	6/1993	Williams et al.
5,219,428	A	6/1993	Stern
D340,351	S *	10/1993	Wrath D3/217
5,358,494	A	10/1994	Svedman
D352,463	S	11/1994	Kubo
D352,606	S *	11/1994	Cylvick D3/203.1
5,466,229	A	11/1995	Elson
5,473,536	A	12/1995	Wimmer
5,527,293	A	6/1996	Zamierowski
5,636,643	A	6/1997	Argenta et al.
D380,607	S *	7/1997	Leben D3/243
5,645,081	A	7/1997	Argenta et al.
5,687,717	A	11/1997	Halpern et al.
D400,249	S	10/1998	Holubar et al.
D406,899	S	3/1999	Cottle
D408,625	S	4/1999	Barker
5,907,721	A	5/1999	Schelling et al.
D414,925	S	10/1999	Holland
D418,287	S *	1/2000	Moor D3/201
6,010,527	A	1/2000	Augustine et al.
D423,102	S	4/2000	Mertenat
6,071,267	A	6/2000	Zamierowski
D434,150	S	11/2000	Tumey et al.
6,142,982	A	11/2000	Hunt et al.
D436,443	S *	1/2001	Hillman D3/283
D439,341	S	3/2001	Tumey et al.
6,279,804	B1	8/2001	Gregg
D447,336	S *	9/2001	Bergkvist D3/242
D449,891	S	10/2001	Moro
D456,514	S	4/2002	Brown et al.
6,390,345	B1	5/2002	Brown et al.
6,398,767	B1	6/2002	Fleischmann
6,468,199	B1	10/2002	Satou et al.
D469,175	S	1/2003	Hall et al.
D469,176	S *	1/2003	Hall D24/108
D471,274	S	3/2003	Diaz et al.
D471,361	S *	3/2003	Crandall D3/292
D475,132	S	5/2003	Randolph
D477,869	S	7/2003	Vijfvnkel
D478,659	S	8/2003	Hall et al.
D481,459	S	10/2003	Naham
6,648,862	B2	11/2003	Watson
D486,517	S *	2/2004	Hendee D19/26
6,738,052	B1	5/2004	Manke et al.
6,752,794	B2	6/2004	Lockwood et al.
6,755,807	B2	6/2004	Risk et al.
6,764,462	B2	7/2004	Risk, Jr. et al.
6,824,533	B2	11/2004	Risk, Jr. et al.
D502,802	S *	3/2005	Fair D3/218
D504,953	S	5/2005	Ryan
D505,543	S *	5/2005	Miller D3/203.6
6,936,037	B2	8/2005	Bubb
6,948,614	B1	9/2005	Hall et al.
6,957,738	B2	10/2005	Hammond
D516,217	S	2/2006	Brown et al.
7,004,915	B2	2/2006	Boynton et al.
7,022,113	B2	4/2006	Lockwood et al.
7,077,832	B2	7/2006	Fleischmann
7,108,683	B2	9/2006	Zamierowski
D533,807	S *	12/2006	English D11/212
D537,944	S	3/2007	Eda et al.
7,195,624	B2	3/2007	Lockwood
7,198,046	B1	4/2007	Argenta
7,216,651	B2	5/2007	Argenta et al.
D543,691	S	6/2007	Payne et al.
D544,092	S	6/2007	Lewis
D545,055	S	6/2007	Lieberman et al.
D546,952	S	7/2007	May
D548,347	S	8/2007	Ichino et al.
D548,954	S	8/2007	Andersen et al.
D556,444	S	12/2007	Ipsen et al.
7,317,954	B2	1/2008	McGreevy
D565,177	S	3/2008	Locke et al.
7,438,705	B2	10/2008	Karpowicz et al.
D581,042	S	11/2008	Randolph et al.
D581,521	S	11/2008	Locke et al.
D581,522	S	11/2008	Randolph et al.
D585,135	S	1/2009	Mori et al.
D585,137	S	1/2009	Onoda et al.
D586,466	S	2/2009	Smith et al.
D587,364	S *	2/2009	Pukall D24/108
D587,376	S	2/2009	Takano et al.
D587,901	S	3/2009	Pidgeon et al.
D590,934	S	4/2009	Randolph et al.
D591,039	S *	4/2009	Wung D3/203.1
7,524,315	B2	4/2009	Blott et al.
D591,500	S *	5/2009	Siegel D3/232
7,534,240	B1	5/2009	Johnson
D593,676	S	6/2009	Locke et al.
D594,114	S	6/2009	Locke et al.
D601,692	S	10/2009	Tout et al.
D602,582	S	10/2009	Pidgeon et al.
D602,583	S	10/2009	Pidgeon et al.
D602,584	S	10/2009	Pidgeon et al.
D607,202	S	1/2010	Pidgeon et al.
7,678,090	B2	3/2010	Risk, Jr.
7,694,814	B1	4/2010	Cristobal et al.
D617,094	S	6/2010	Pidgeon et al.
D625,801	S	10/2010	Pidgeon et al.
D630,313	S	1/2011	Pidgeon et al.
D630,725	S	1/2011	Pidgeon et al.
D635,588	S	4/2011	Sprules
D642,594	S	8/2011	Mattson et al.
D644,250	S	8/2011	Barber et al.
8,007,481	B2	8/2011	Schuessler et al.
D645,137	S	9/2011	Gonzalez
8,048,046	B2	11/2011	Hudspeth et al.
D650,894	S	12/2011	Gonzalez
8,100,873	B2	1/2012	Jaeb et al.
D654,095	S	2/2012	Mattson et al.
D654,164	S	2/2012	Cole et al.
D660,409	S	5/2012	Taggerty et al.
D661,188	S	6/2012	Fahy
D661,189	S	6/2012	Fahy
D661,190	S	6/2012	Fahy
8,202,262	B2	6/2012	Lina et al.
8,216,198	B2	7/2012	Heagle et al.
8,240,470	B2	8/2012	Pidgeon et al.
8,287,736	B2	10/2012	Roncadi et al.
8,317,752	B2	11/2012	Cozmi et al.
D672,141	S *	12/2012	Harbinson D3/232
D675,728	S	2/2013	Tout et al.
D681,806	S	5/2013	Kataoka et al.
D682,546	S	5/2013	Nicolini
D684,365	S *	6/2013	Leblanc D3/289
8,494,349	B2	7/2013	Gordon
8,552,880	B2	10/2013	Kopp et al.
8,577,692	B2	11/2013	Silkaitis et al.
8,801,686	B2	8/2014	Bendele et al.

(56)

References Cited

FOREIGN PATENT DOCUMENTS

U.S. PATENT DOCUMENTS

D726,302 S * 4/2015 Hanna D24/107
 2002/0198503 A1 12/2002 Risk, Jr. et al.
 2003/0050594 A1 3/2003 Zamierowski
 2005/0177190 A1 8/2005 Zamierowski
 2005/0247732 A1 11/2005 Duke
 2006/0289329 A1* 12/2006 Miller A45C 7/0054
 206/570
 2007/0038172 A1 2/2007 Zamierowski
 2007/0131573 A1 6/2007 Boyles
 2007/0193902 A1 8/2007 Myers et al.
 2007/0250009 A1 10/2007 Barak
 2007/0260226 A1 11/2007 Jaeb et al.
 2008/0033400 A1 2/2008 Holper et al.
 2008/0071234 A1 3/2008 Kelch et al.
 2008/0200905 A1 8/2008 Heaton
 2008/0272254 A1 11/2008 Harr et al.
 2009/0012482 A1 1/2009 Pinto
 2009/0043268 A1 2/2009 Eddy et al.
 2009/0076467 A1 3/2009 Pinto
 2009/0125055 A1 5/2009 Larkin et al.
 2009/0221990 A1 9/2009 Jaeb et al.
 2009/0254066 A1 10/2009 Heaton
 2009/0270820 A1 10/2009 Johnson
 2009/0299306 A1 12/2009 Buan
 2010/0022990 A1 1/2010 Karpowicz et al.
 2010/0036333 A1 2/2010 Schenk, III et al.
 2010/0187065 A1 7/2010 Pidgeon et al.
 2010/0191199 A1 7/2010 Evans et al.
 2010/0207768 A1 8/2010 Pidgeon et al.
 2010/0286638 A1 11/2010 Malhi
 2011/0038741 A1 2/2011 Lissner et al.
 2011/0066110 A1 3/2011 Fathallah et al.
 2011/0077605 A1 3/2011 Karpowicz et al.
 2011/0190703 A1 8/2011 Pratt et al.
 2011/0290979 A1 12/2011 Henault et al.
 2012/0123323 A1 5/2012 Kagan et al.
 2012/0181405 A1 7/2012 Zlatic et al.
 2012/0271256 A1 10/2012 Locke et al.
 2012/0302979 A1 11/2012 Locke et al.
 2013/0066301 A1 3/2013 Locke et al.
 2013/0110058 A1 5/2013 Adie et al.
 2013/0310809 A1 11/2013 Armstrong et al.
 2014/0309600 A1 10/2014 Aceto et al.
 2015/0190288 A1 7/2015 Dunn et al.

DE 3 431 426 7/1985
 DE 20301859 6/2003
 DE 10 2010 036405 1/2012
 EP 0 777 504 10/1998
 EP 2 319 476 5/2011
 EP 1 565 219 B1 2/2014
 GB 2037150 7/1980
 GB 1575266 9/1980
 GB 2195255 4/1988
 GB 2307180 5/1997
 WO WO 90/11795 10/1990
 WO WO 91/00718 1/1991
 WO WO 92/20299 11/1992
 WO WO 96/05873 2/1996
 WO WO 03/074106 9/2003
 WO WO 2004/037334 5/2004
 WO WO 2005/006975 1/2005
 WO WO 2005/105180 11/2005
 WO WO 2007/013064 2/2007
 WO WO 2007/024230 3/2007
 WO WO 2007/030599 3/2007
 WO WO 2008/036344 3/2008
 WO WO 2009/151645 12/2009
 WO WO 2010/017484 2/2010
 WO WO 2010/039481 4/2010
 WO WO 2013/126049 8/2013
 WO WO 2015/091070 6/2015

OTHER PUBLICATIONS

Molnlycke IFU Solo Pump—Patient Instructions for Use (2013) in 121 pages.
 U.S. Appl. No. 29/492,114, filed May 28, 2014, Smith & Nephew.
 U.S. Appl. No. 29/491,116, filed May 28, 2014, Smith & Nephew.
 U.S. Appl. No. 29/492,121, filed May 28, 2014, Smith & Nephew.
 Huntleigh, *WoundAssist* TNP Canister, 6 page Brochure, Huntleigh Healthcare Limited 2007.
 International Search Report and Written Opinion for International Application No. PCT/US2014/026692, Notification mailed Mar. 2, 2015.
 Medela: *Invia Motion*, Negative Pressure Wound Therapy System, Clinical Instructions for Use, 76 pages. Medela AB/200.4168/2012-11/A.
 Molnlycke IFU Solo Pump—Patient Instructions for Use, issued 2013-05/200.6006/A, 448096 rev 04. 121 pages.

* cited by examiner

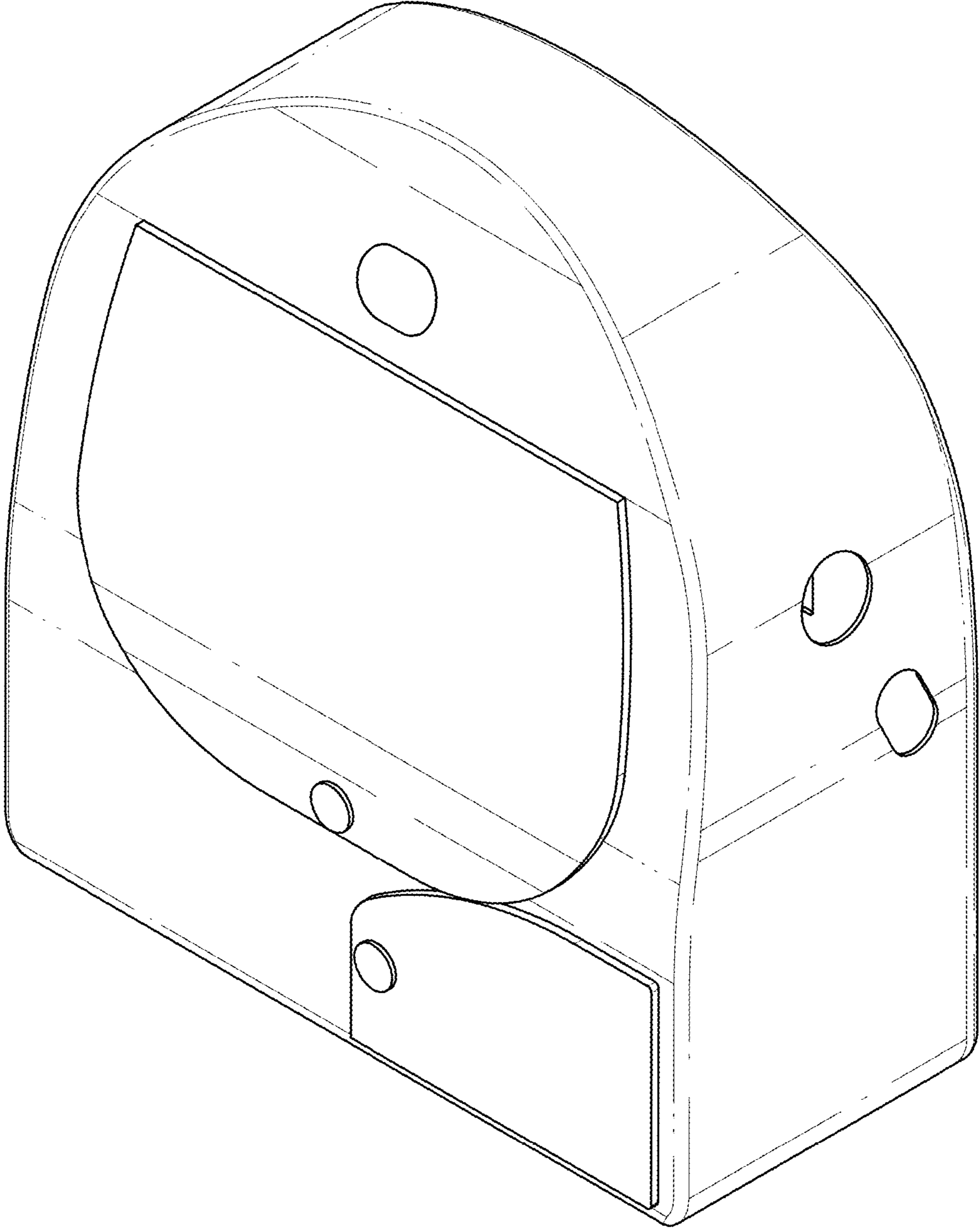


FIG. 1

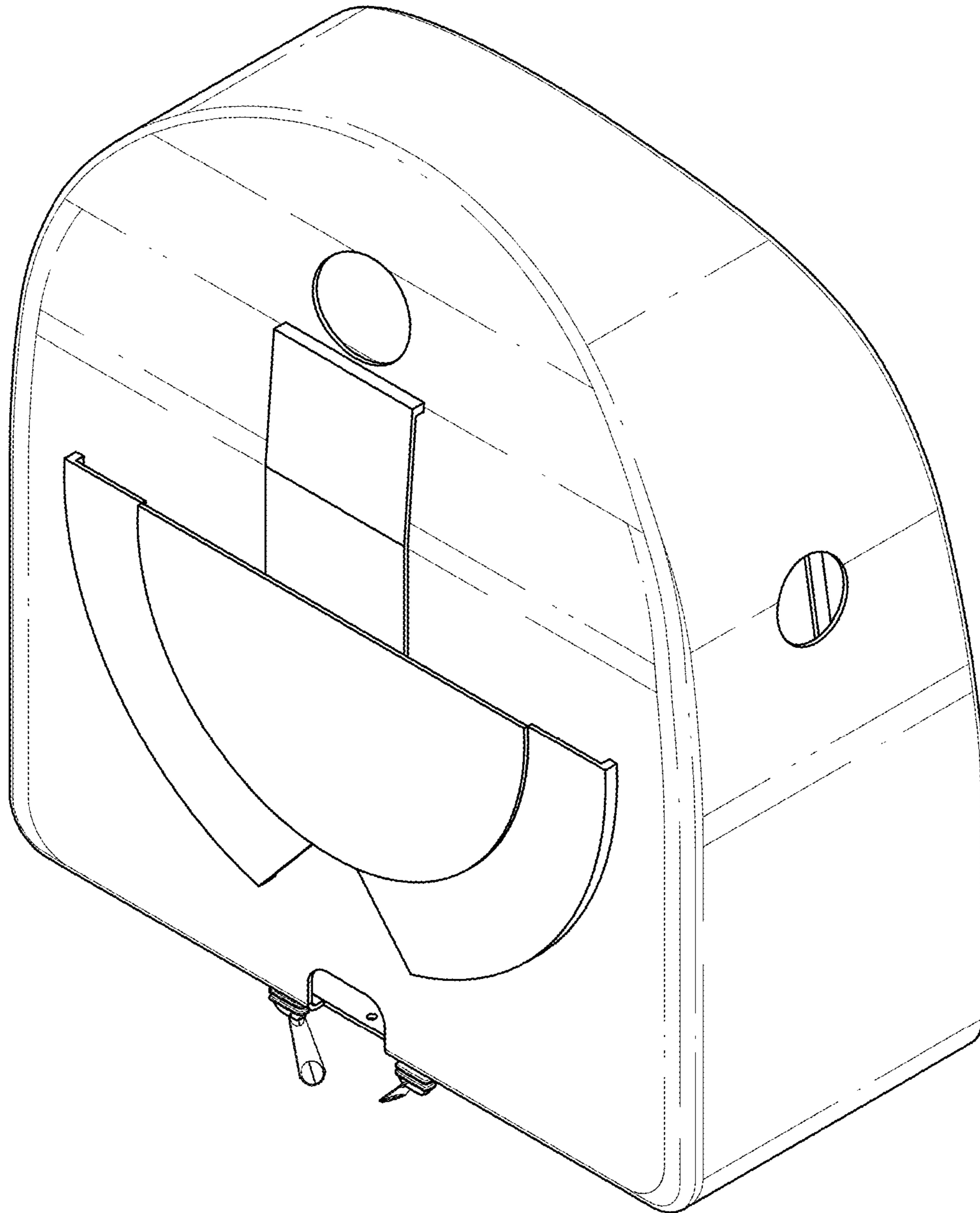


FIG. 2

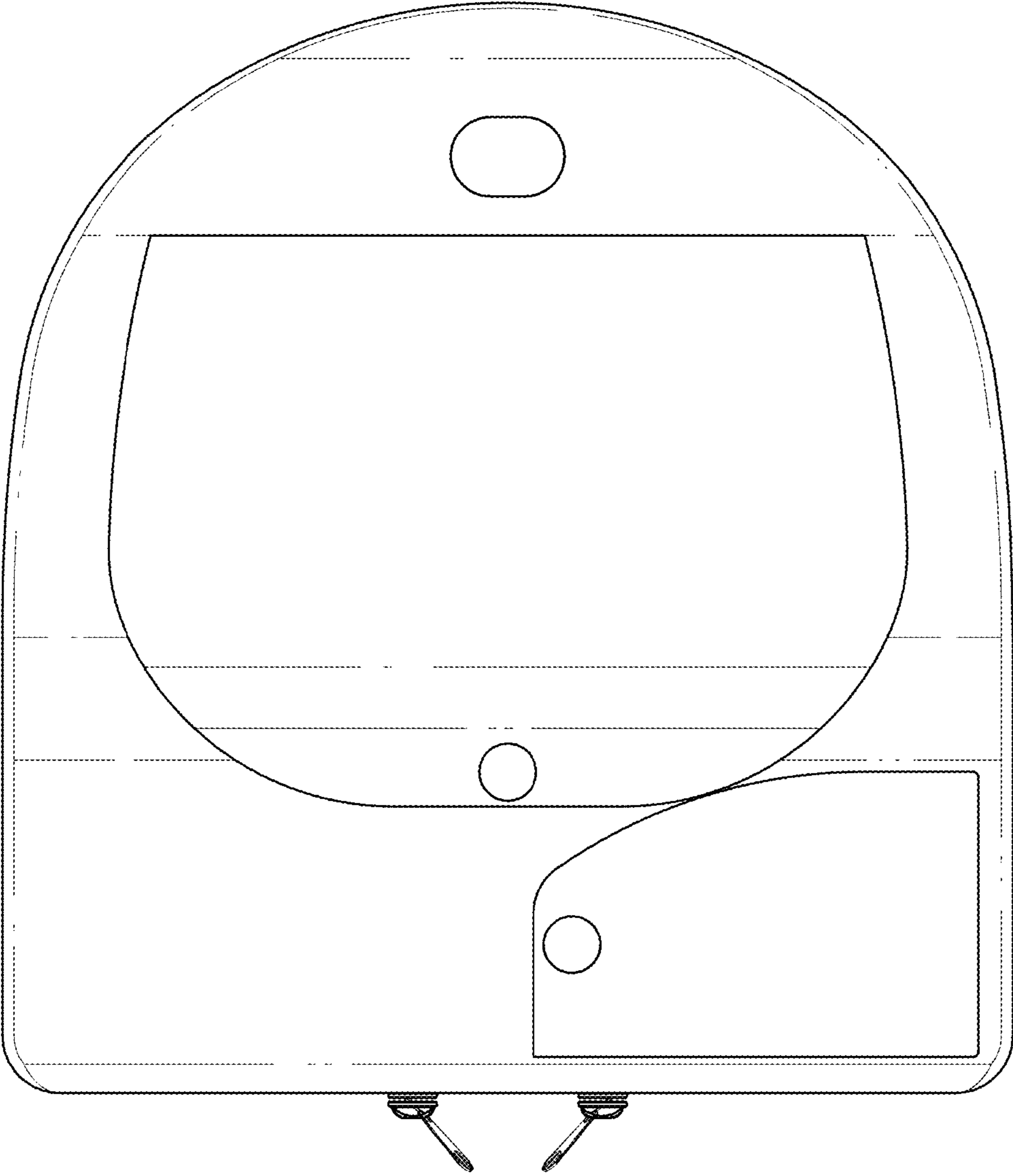


FIG. 3

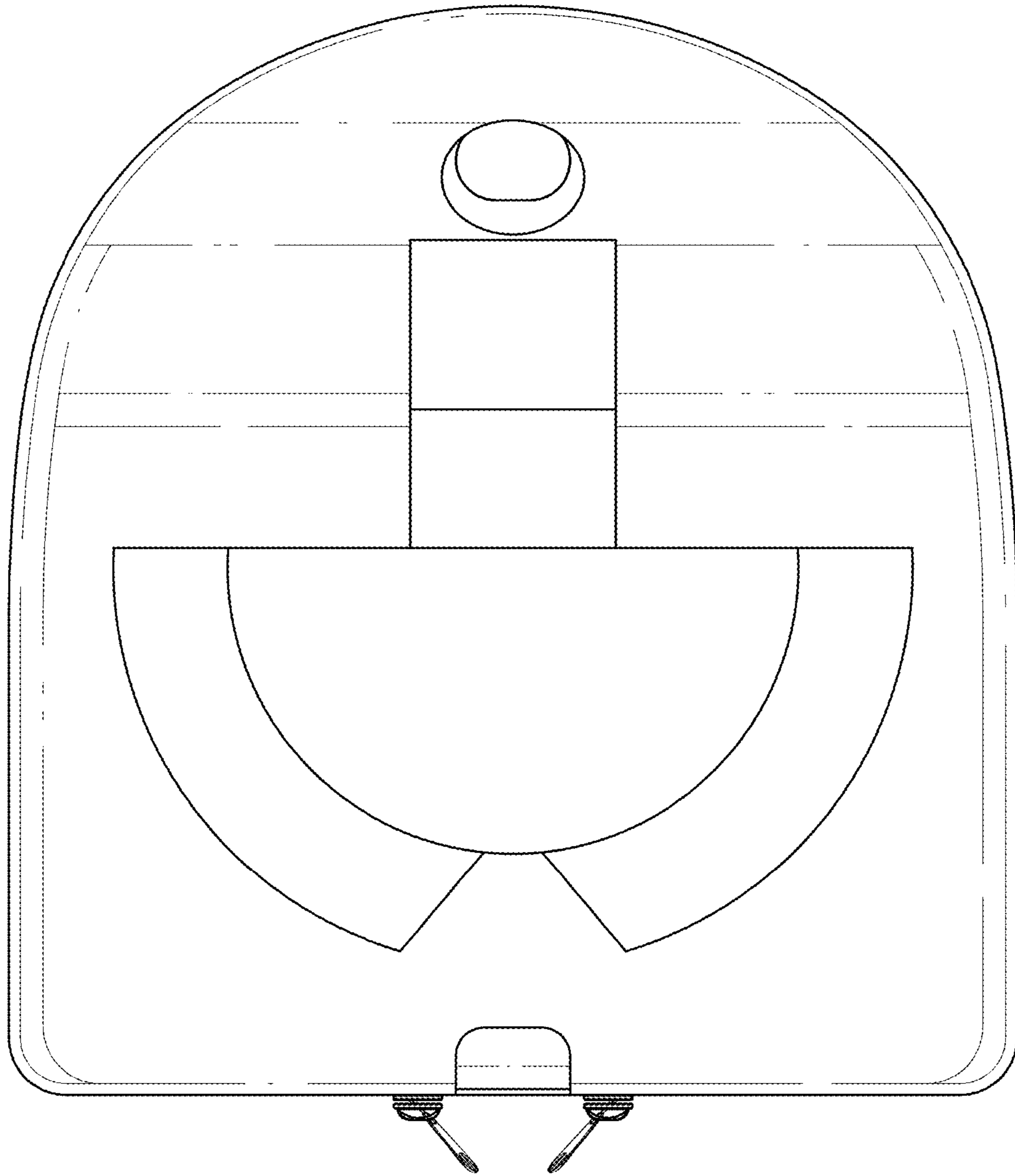


FIG. 4

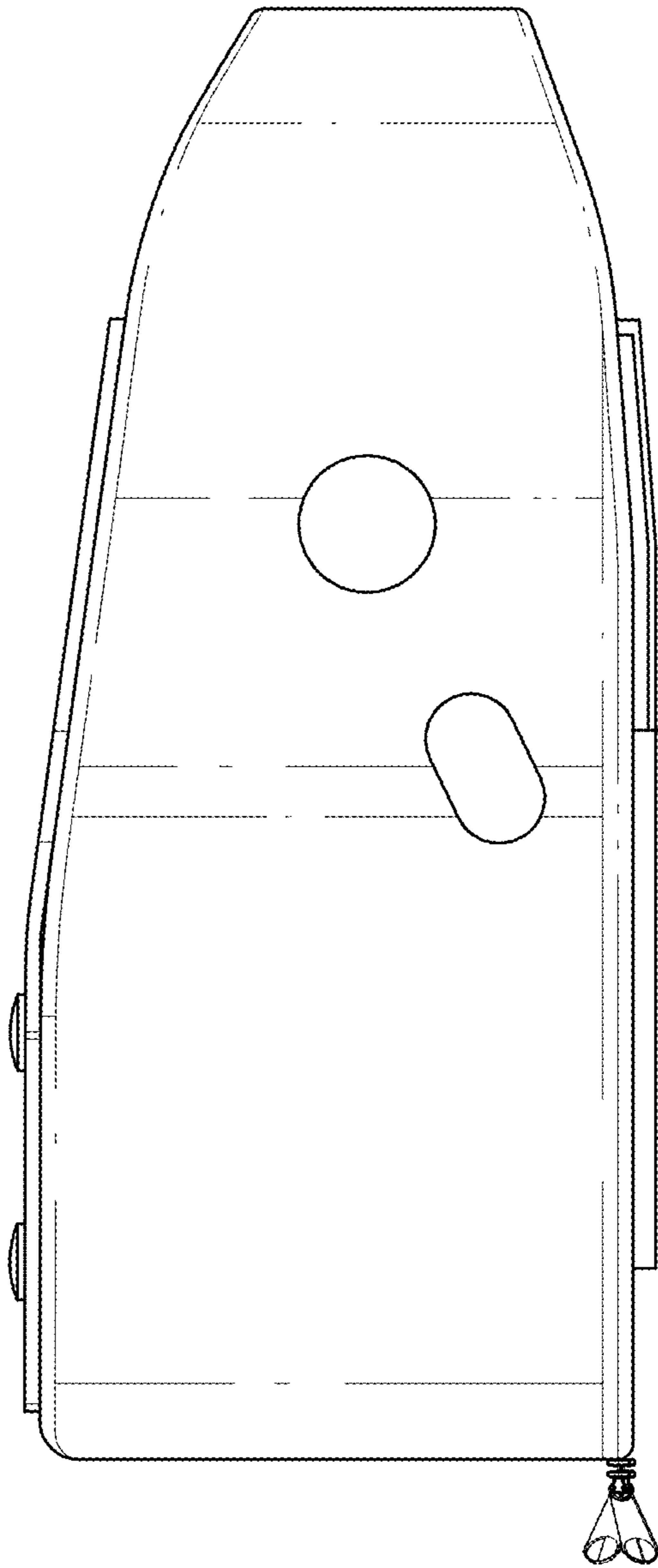


FIG. 5

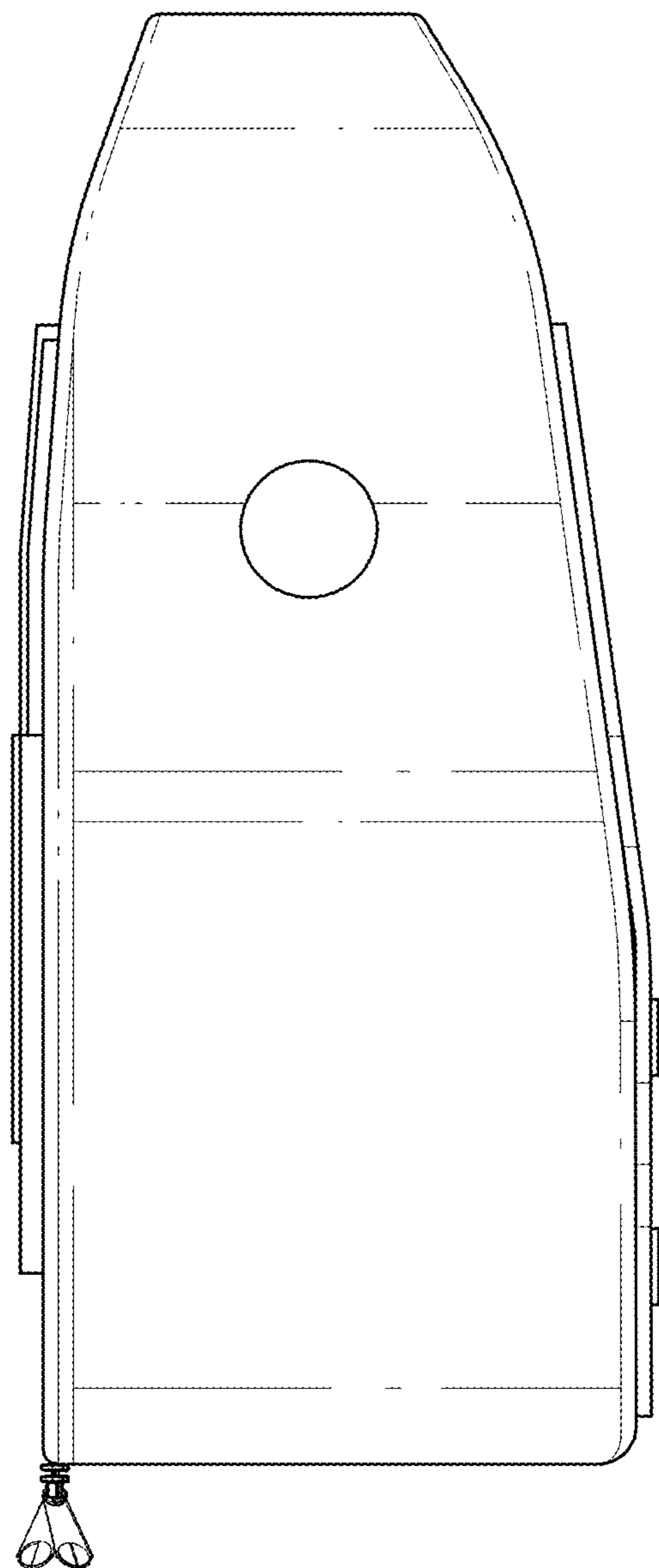


FIG. 6

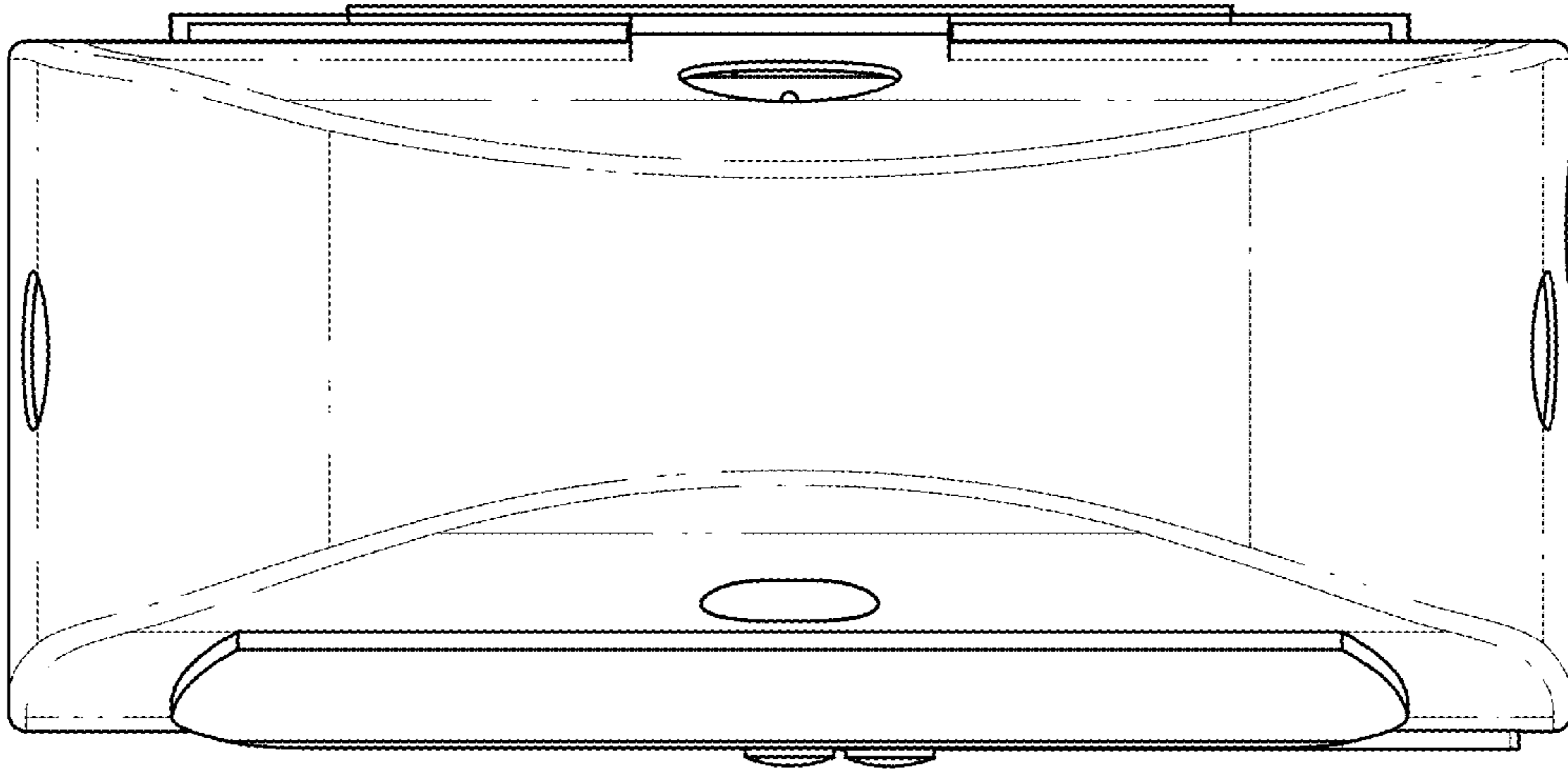


FIG. 7

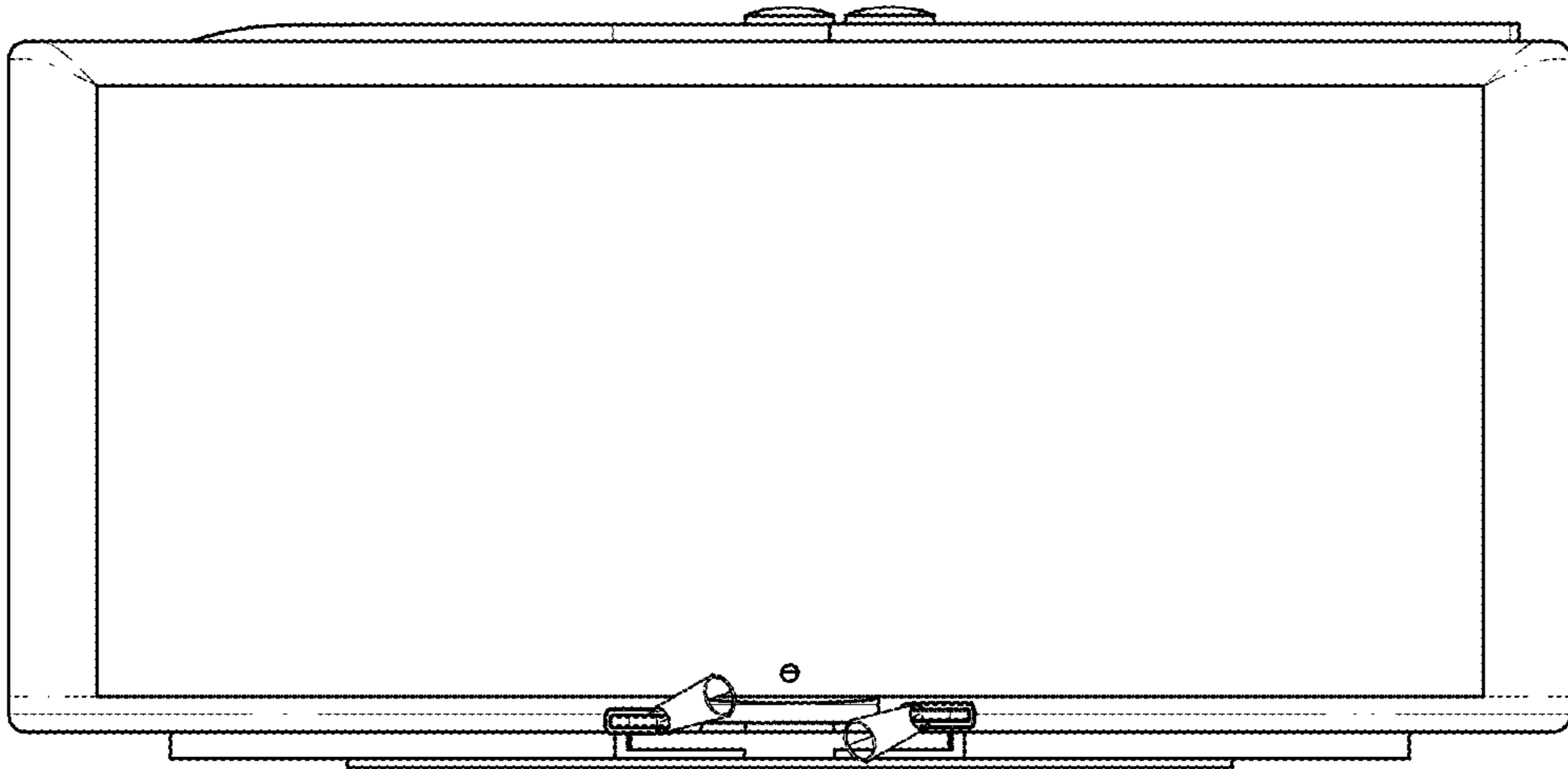


FIG. 8

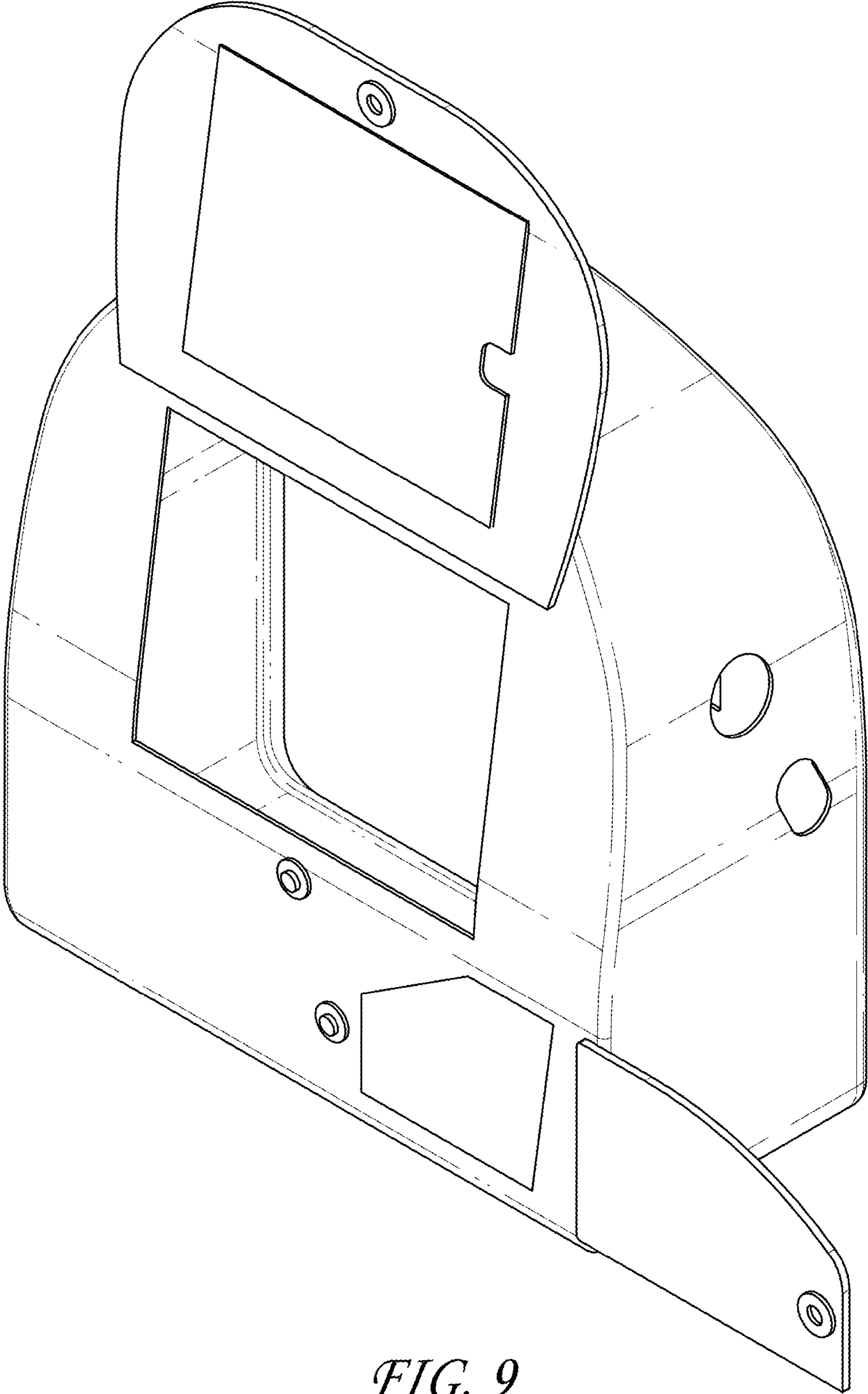


FIG. 9

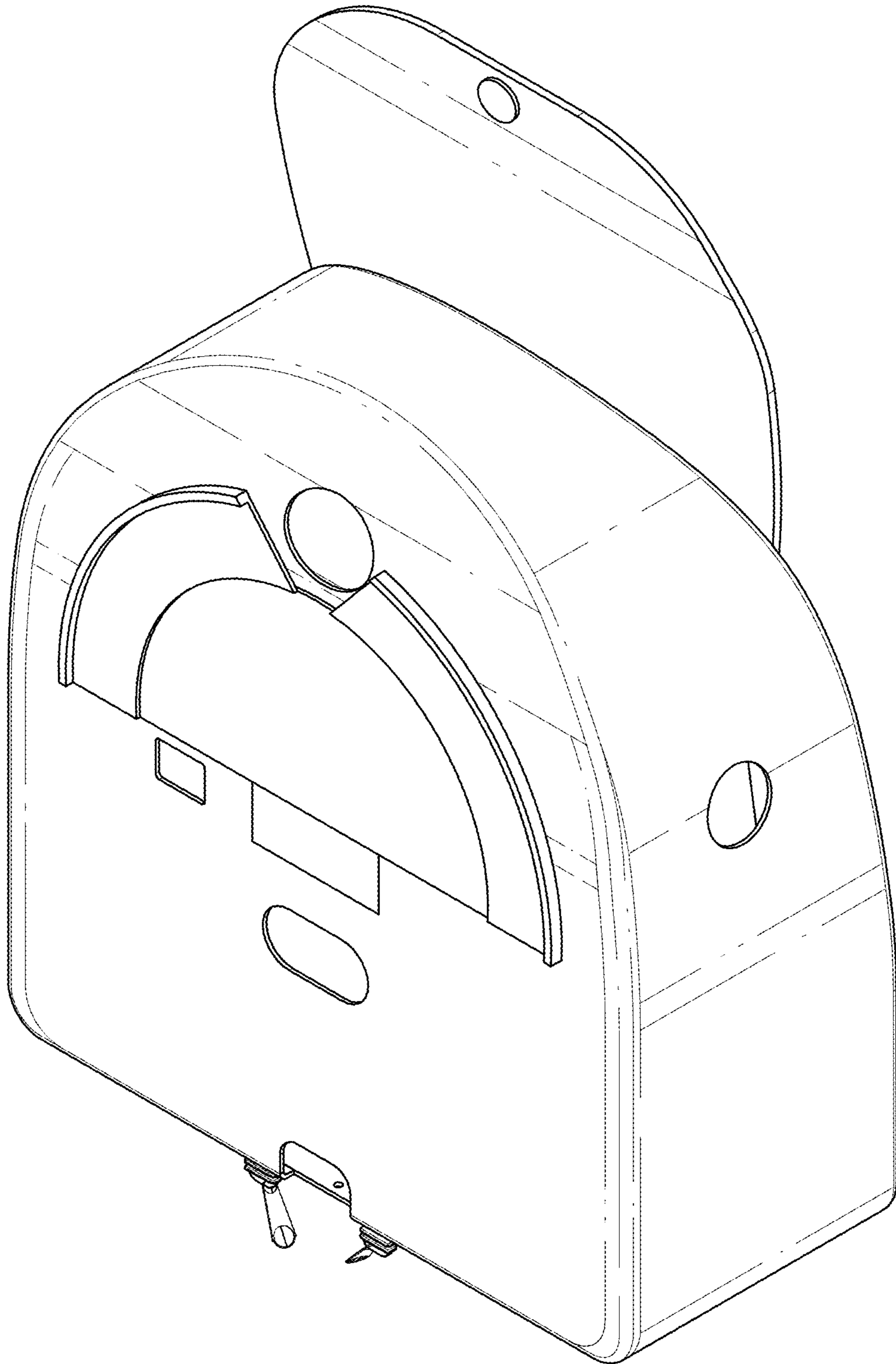


FIG. 10

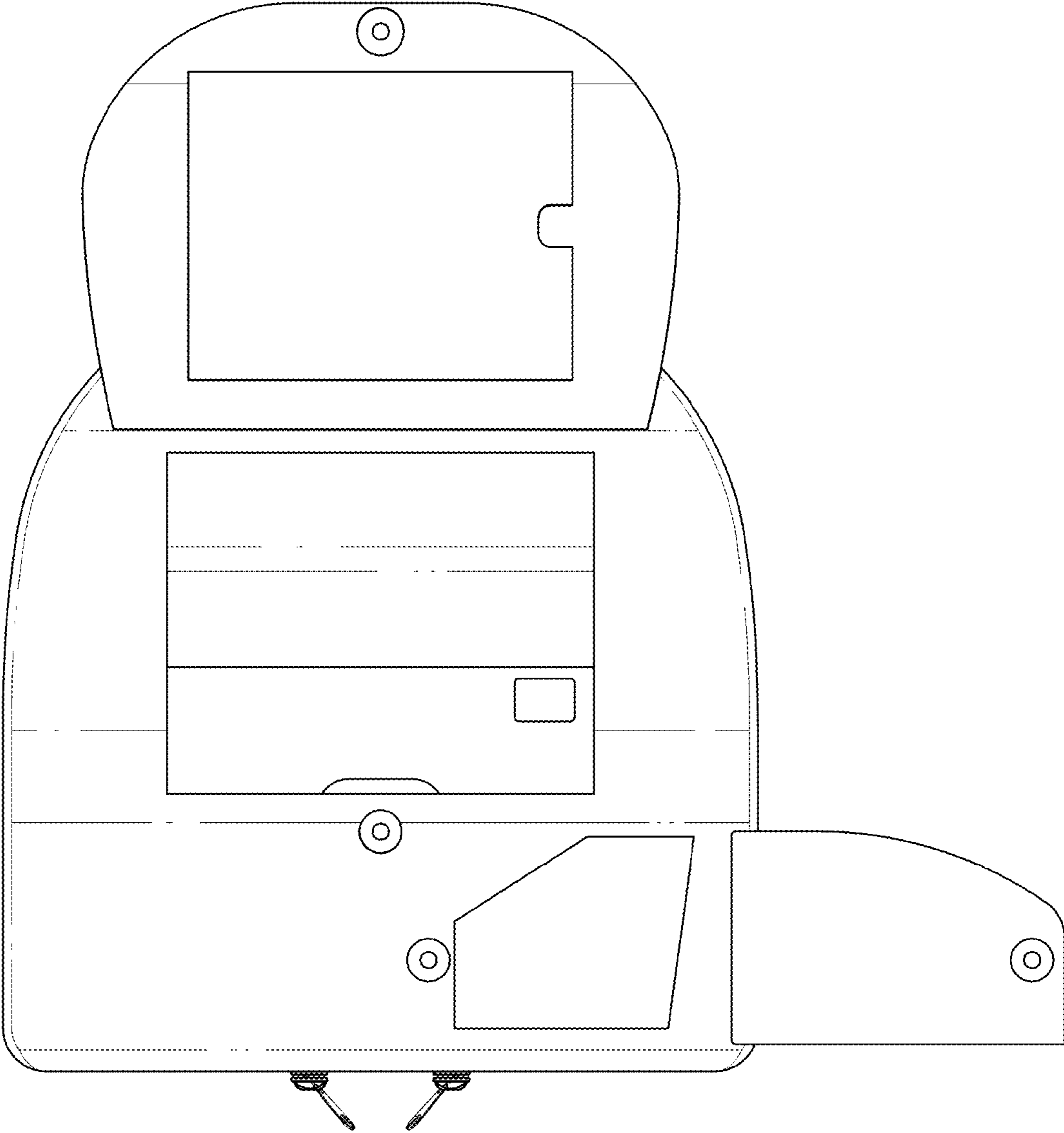


FIG. 11

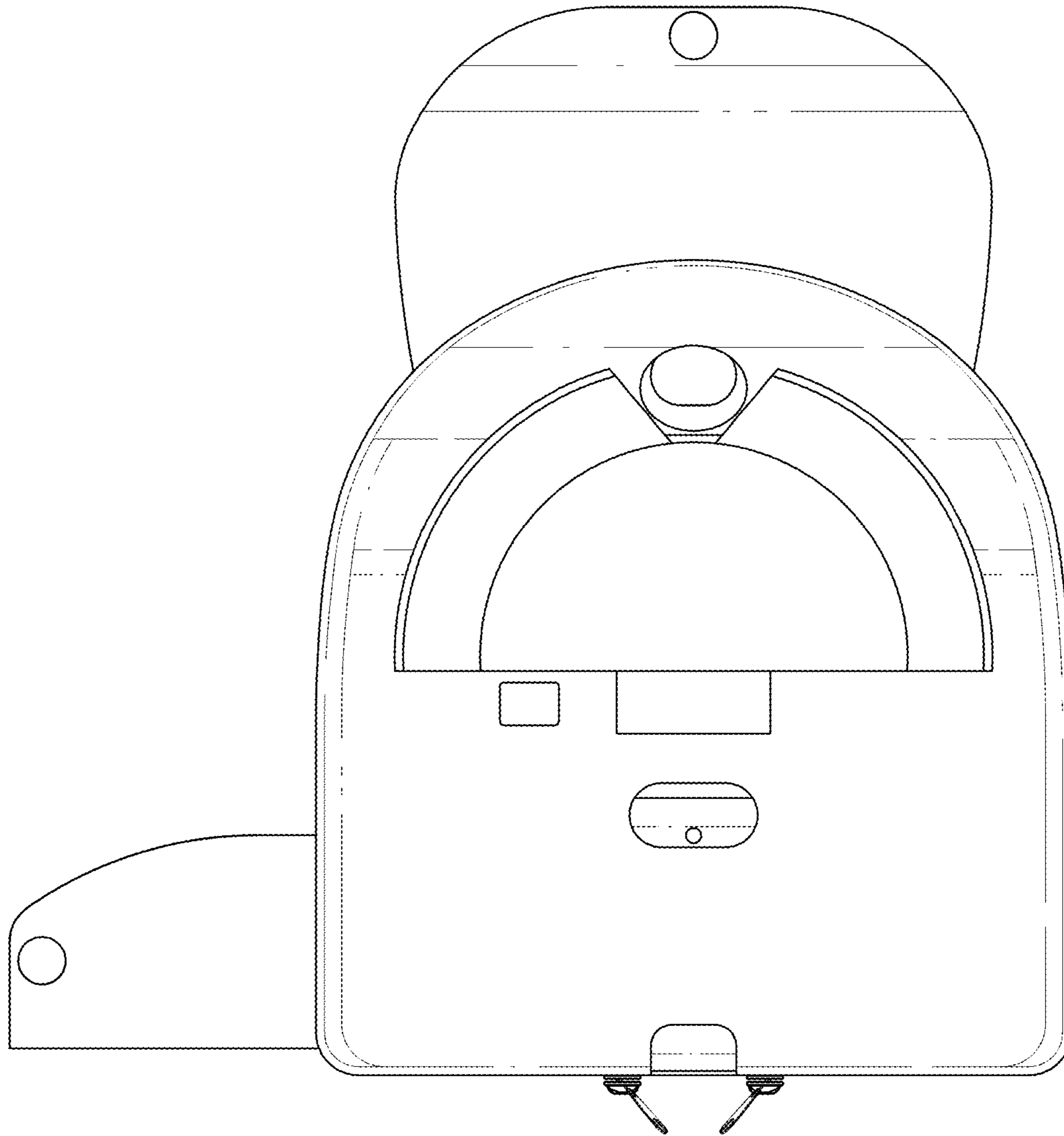


FIG. 12

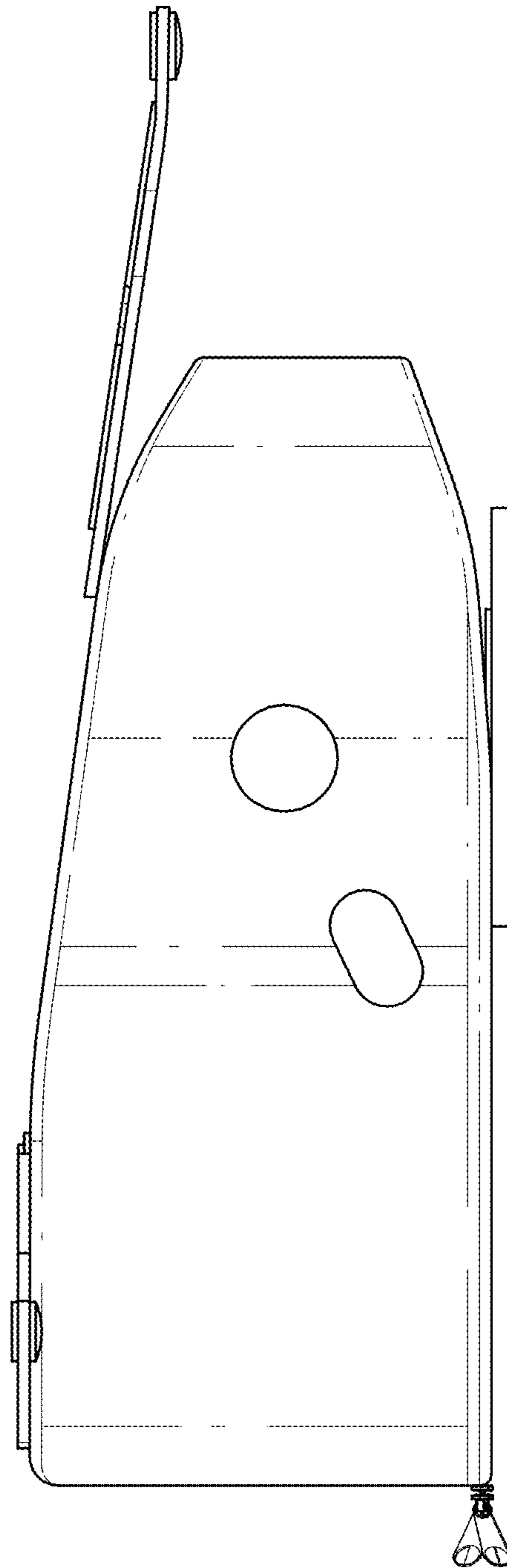


FIG. 13

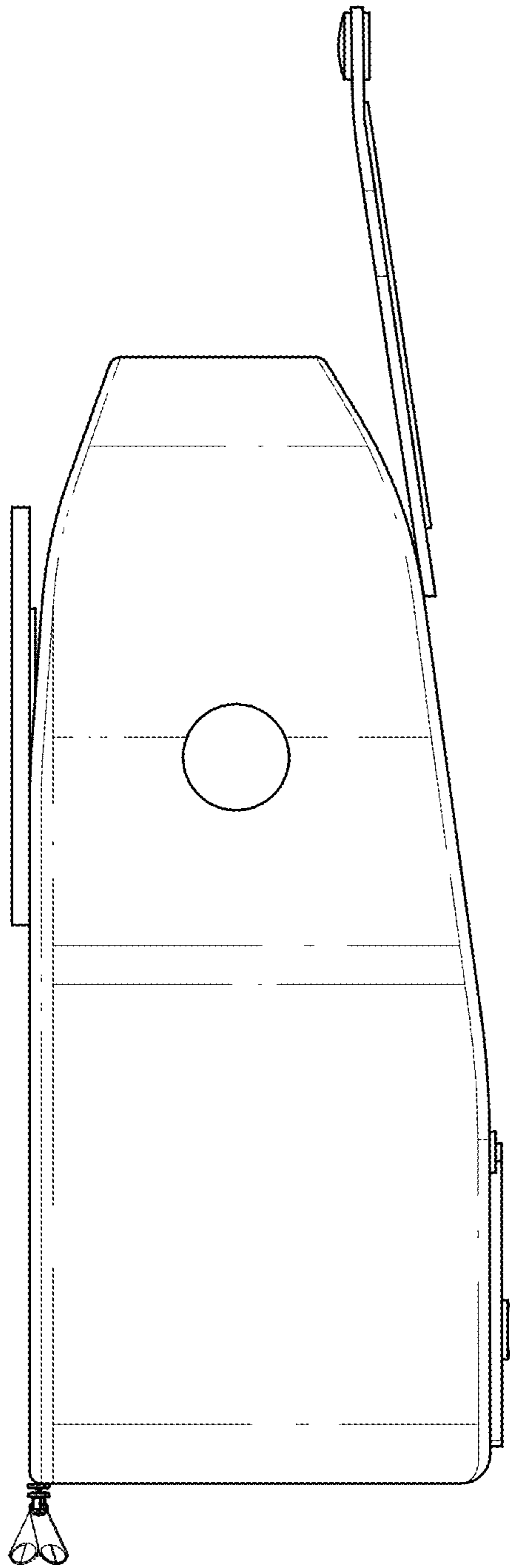


FIG. 14

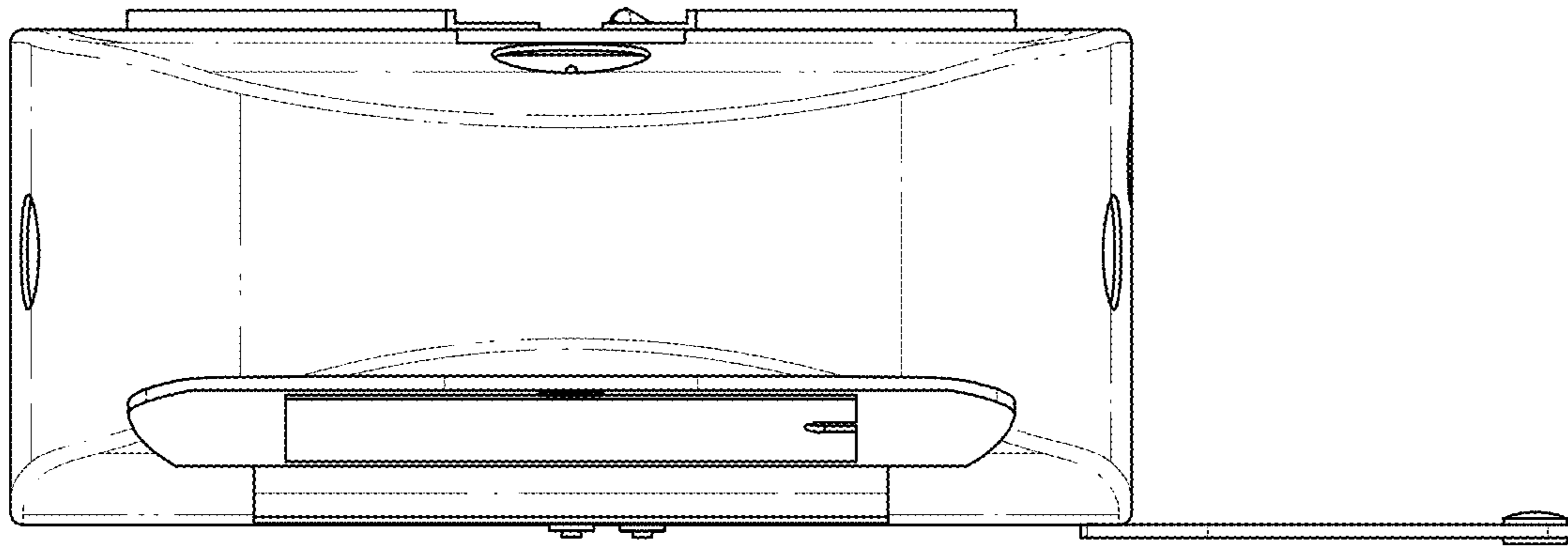


FIG. 15

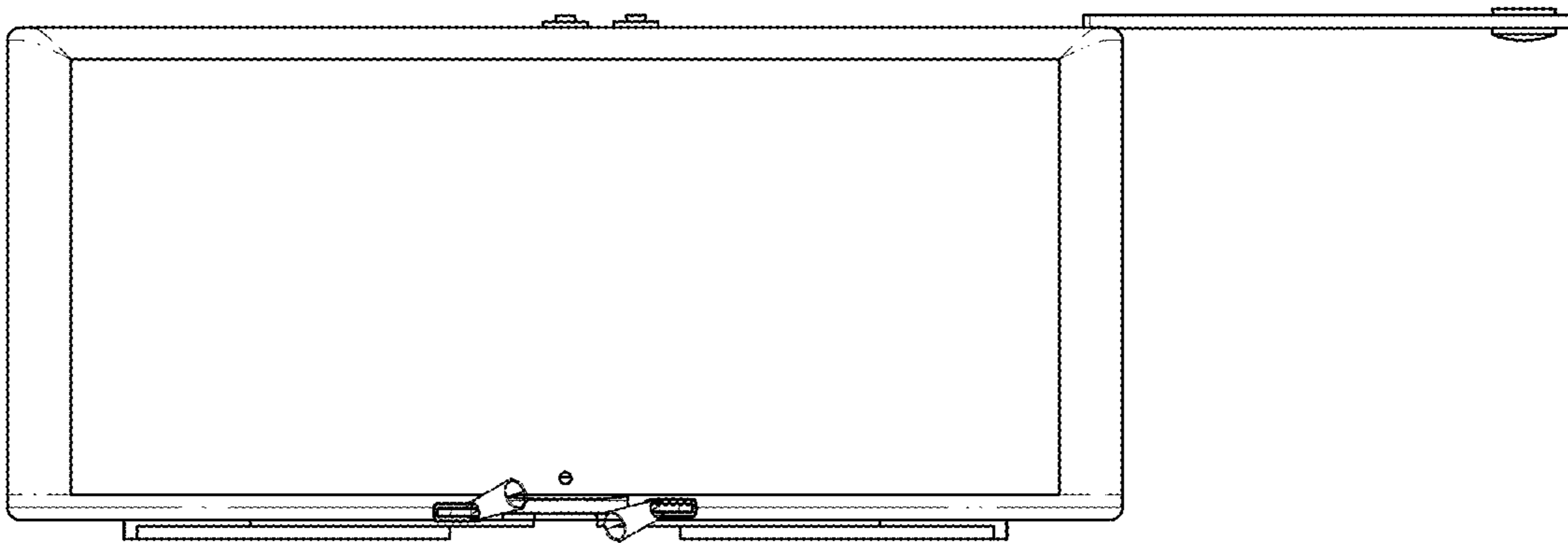


FIG. 16