



US00D770172S

(12) **United States Design Patent**  
**Crouch**

(10) **Patent No.:** **US D770,172 S**

(45) **Date of Patent:** **\*\* Nov. 1, 2016**

(54) **GUN HOLSTER**

(71) Applicant: **Ryan Crouch**, Dallas, TX (US)

(72) Inventor: **Ryan Crouch**, Dallas, TX (US)

(\*\*) Term: **15 Years**

(21) Appl. No.: **29/535,643**

(22) Filed: **Aug. 8, 2015**

(51) **LOC (10) Cl.** ..... **03-01**

(52) **U.S. Cl.**

USPC ..... **D3/222**

(58) **Field of Classification Search**

USPC ..... D3/222-223; 224/192-193, 198, 238,  
224/243-244, 911-912; 42/90

CPC .... F41C 33/02; F41C 33/006; F41C 33/046;  
F41C 33/0245; F41C 33/0227; A45F 3/14

See application file for complete search history.

(56) **References Cited**

**U.S. PATENT DOCUMENTS**

D266,181 S \* 9/1982 Fry ..... D3/222

D335,221 S \* 5/1993 Nichols ..... D3/222

5,358,160 A \* 10/1994 Bianchi ..... A45F 3/14  
224/192

D356,677 S \* 3/1995 Kalasountas ..... D3/222

D594,650 S \* 6/2009 Doty ..... D3/222

D600,009 S \* 9/2009 Doty ..... D3/222

D718,523 S \* 12/2014 Cox ..... D3/222

\* cited by examiner

*Primary Examiner* — Catheri Oliver-Garcia

(57) **CLAIM**

The ornamental design for the gun holster, as shown.

**DESCRIPTION**

FIG. 1 is a perspective view of the gun holster showing my new design in use;

FIG. 2 is a side view of the gun holster shown in use;

FIG. 3 is front-top perspective view thereof;

FIG. 4 is a left view thereof;

FIG. 5 is a right view thereof;

FIG. 6 is a front view thereof;

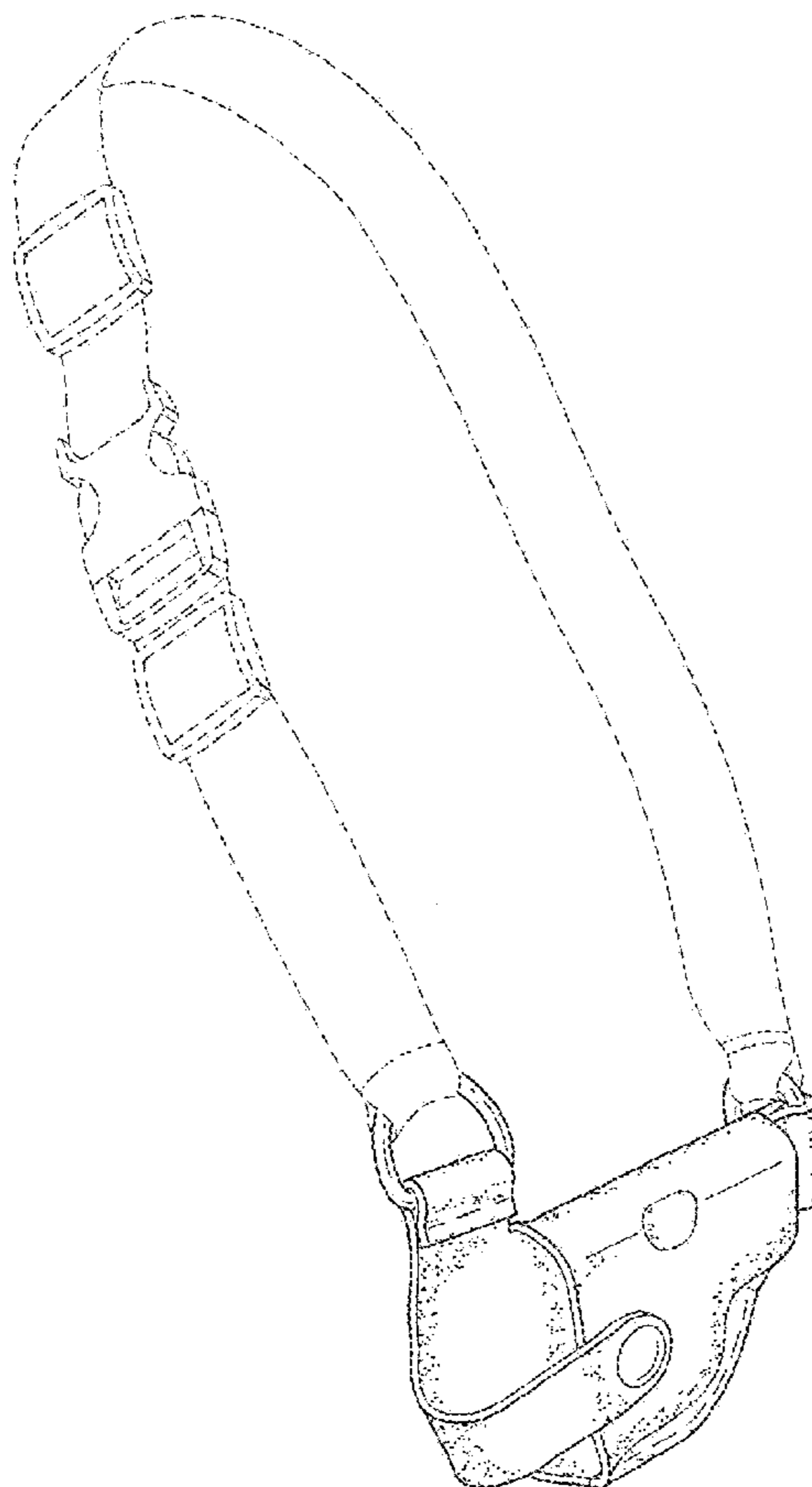
FIG. 7 is a rear view thereof;

FIG. 8 is a top view thereof; and,

FIG. 9 is a bottom view thereof.

The broken lines depict environmental structure and are included for the purpose of illustrating only and form no part of the claimed design.

**1 Claim, 8 Drawing Sheets**



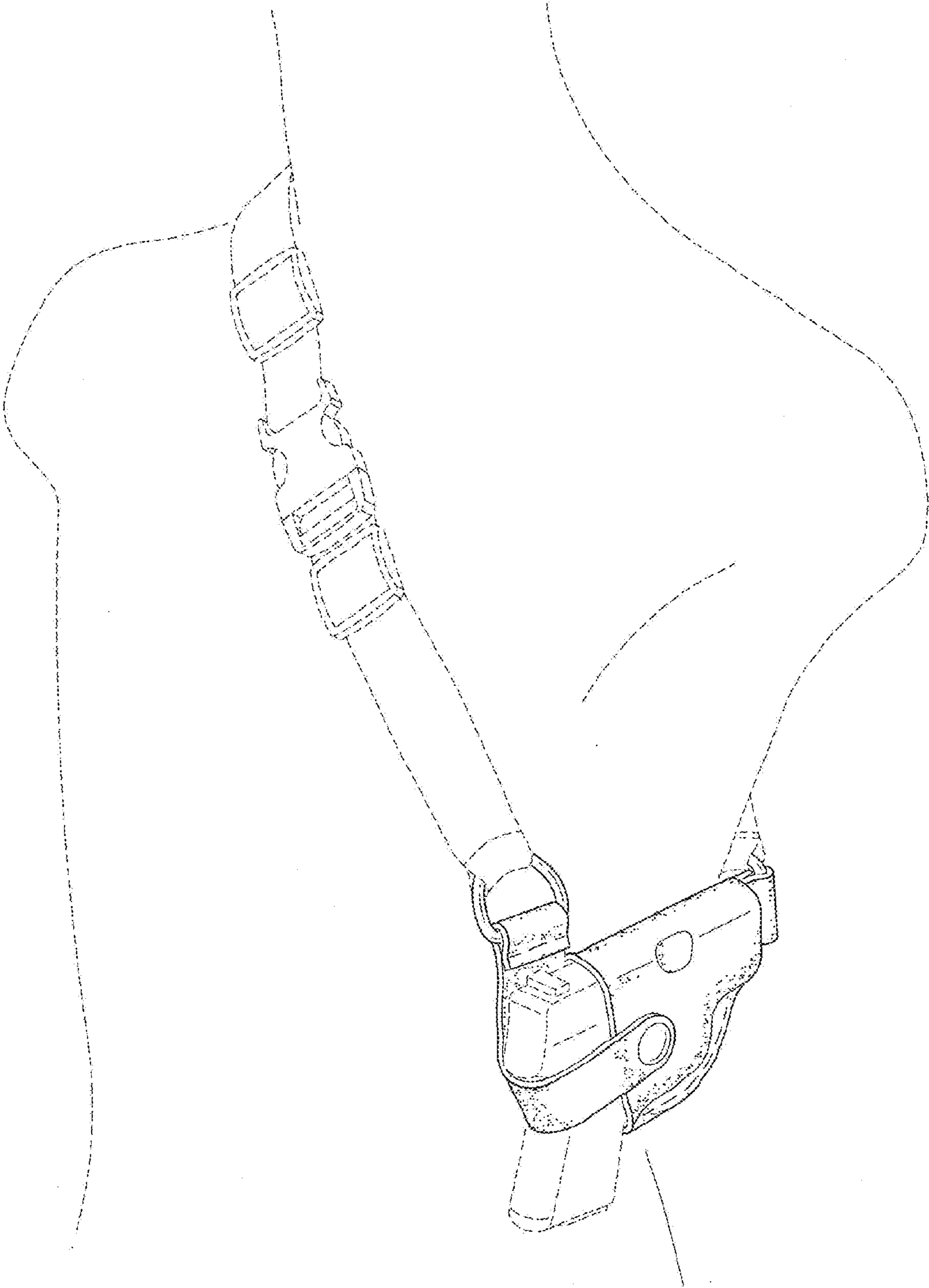


FIG. 1

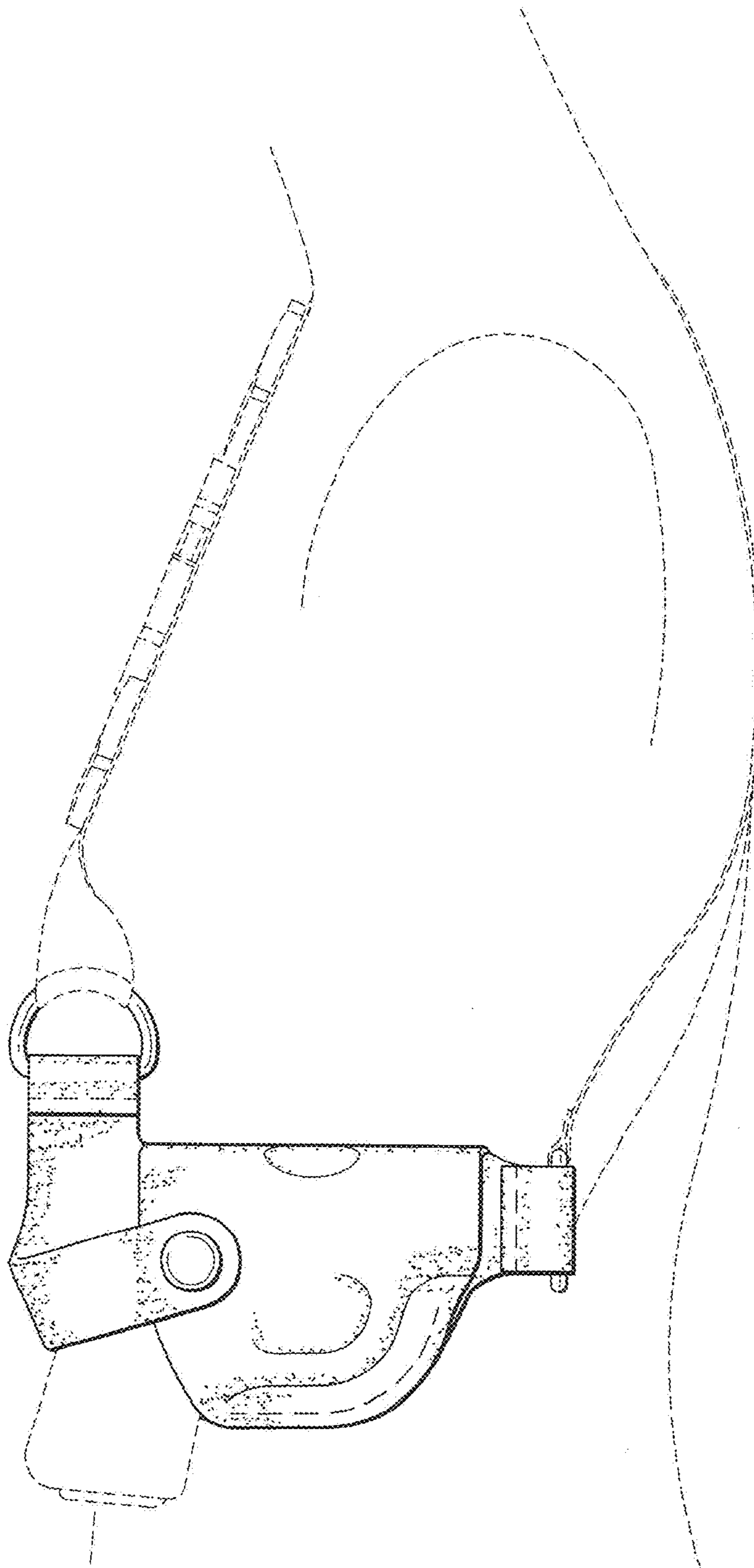


FIG. 2

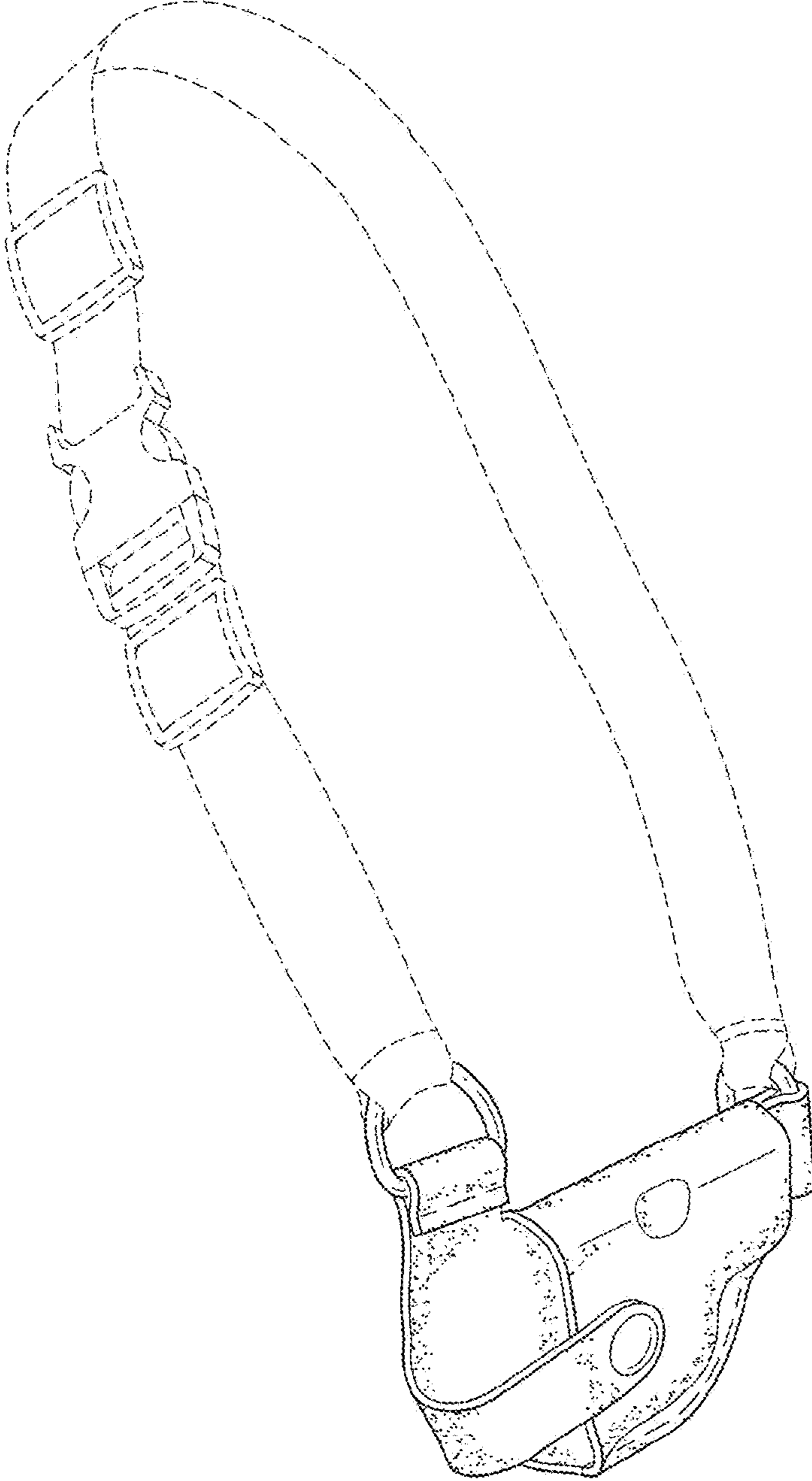


FIG. 3

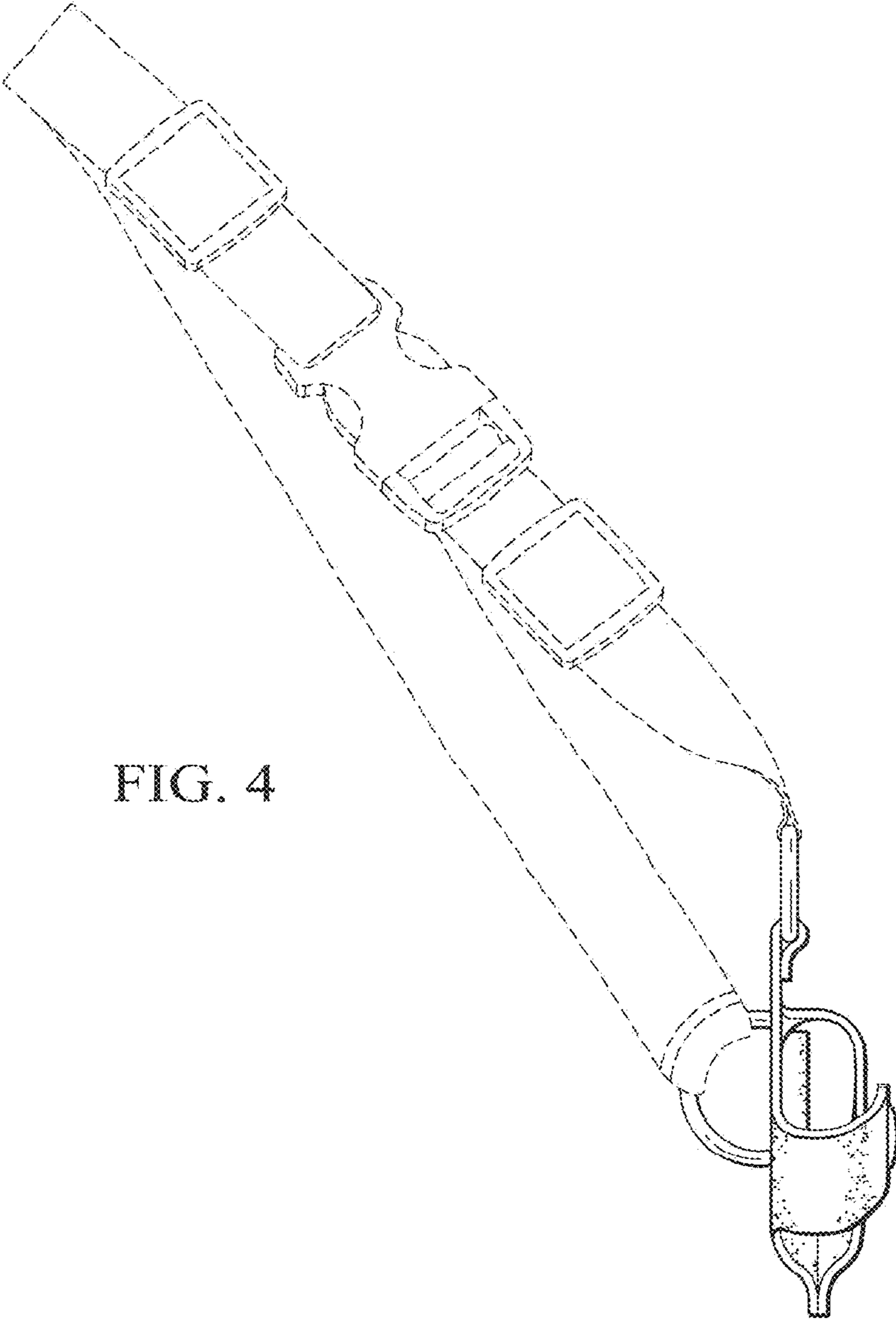


FIG. 4

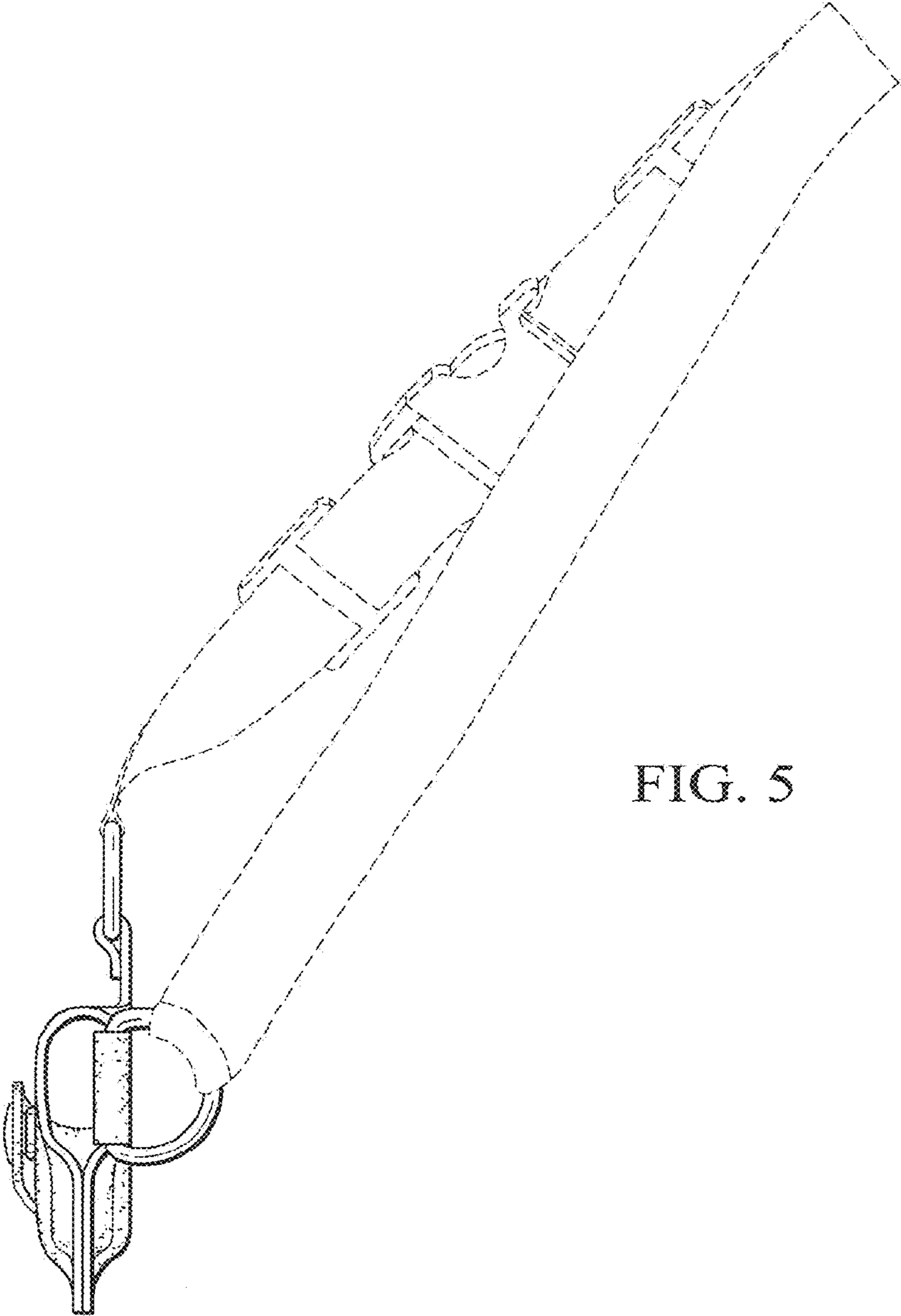


FIG. 5

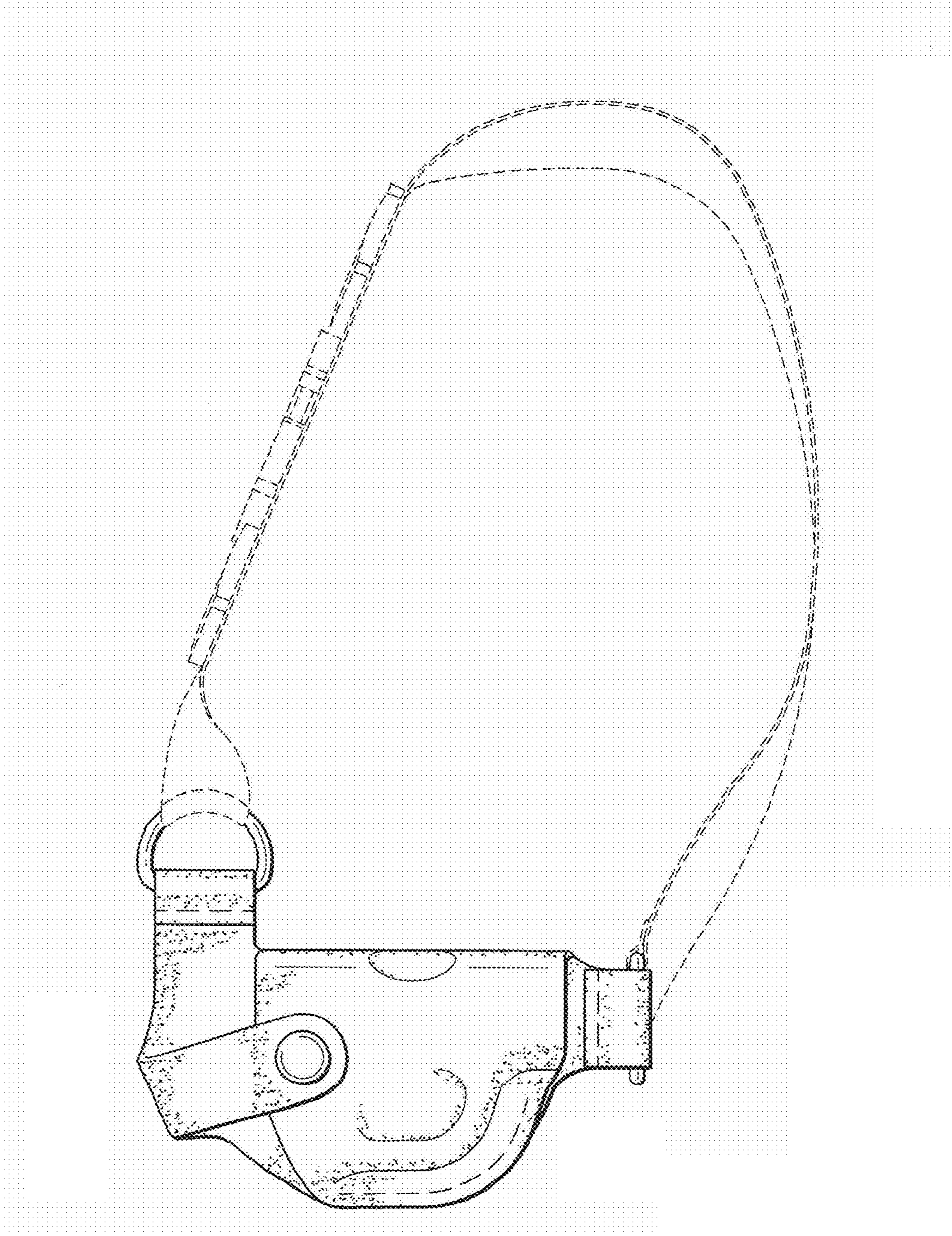


FIG. 6

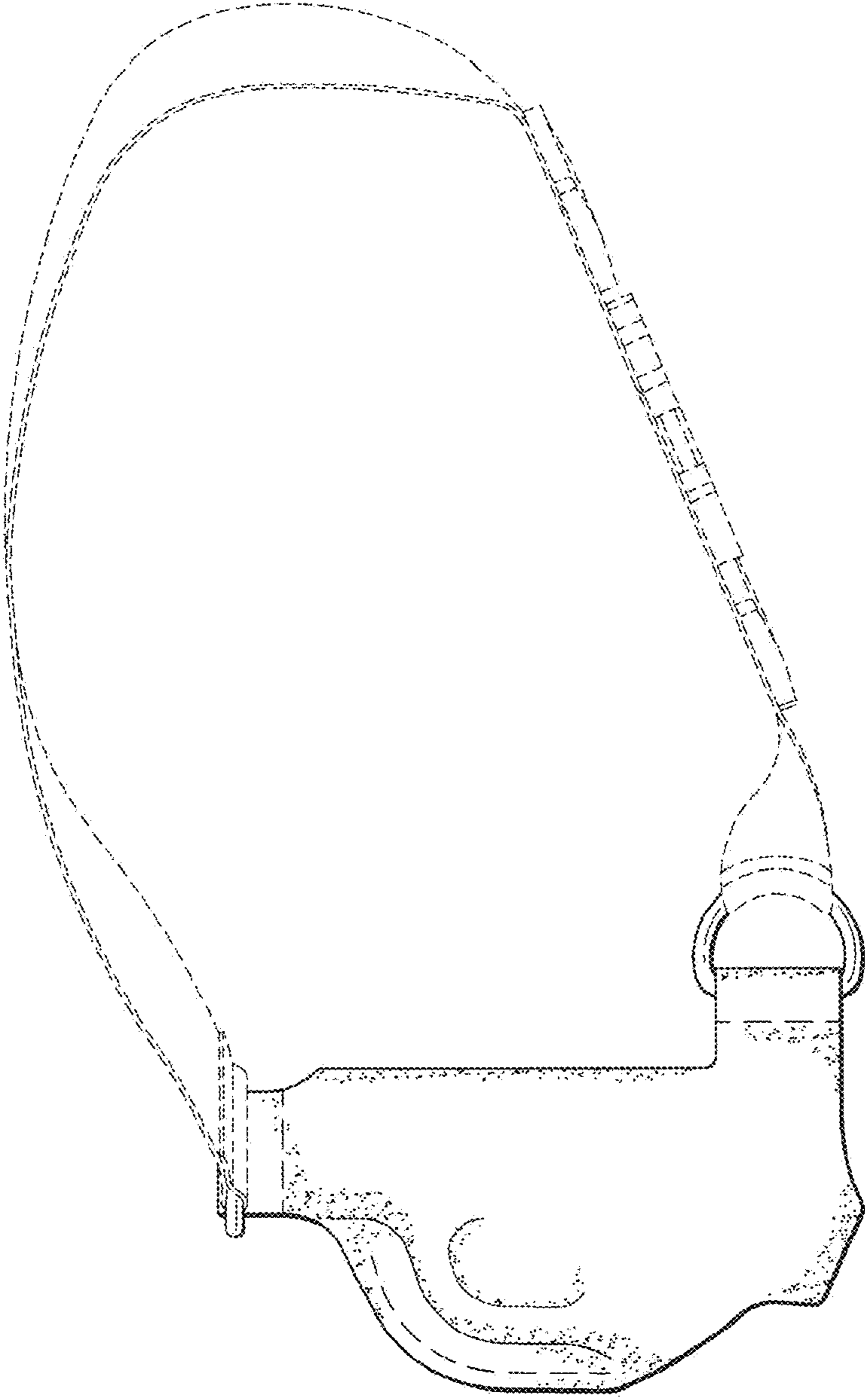


FIG. 7



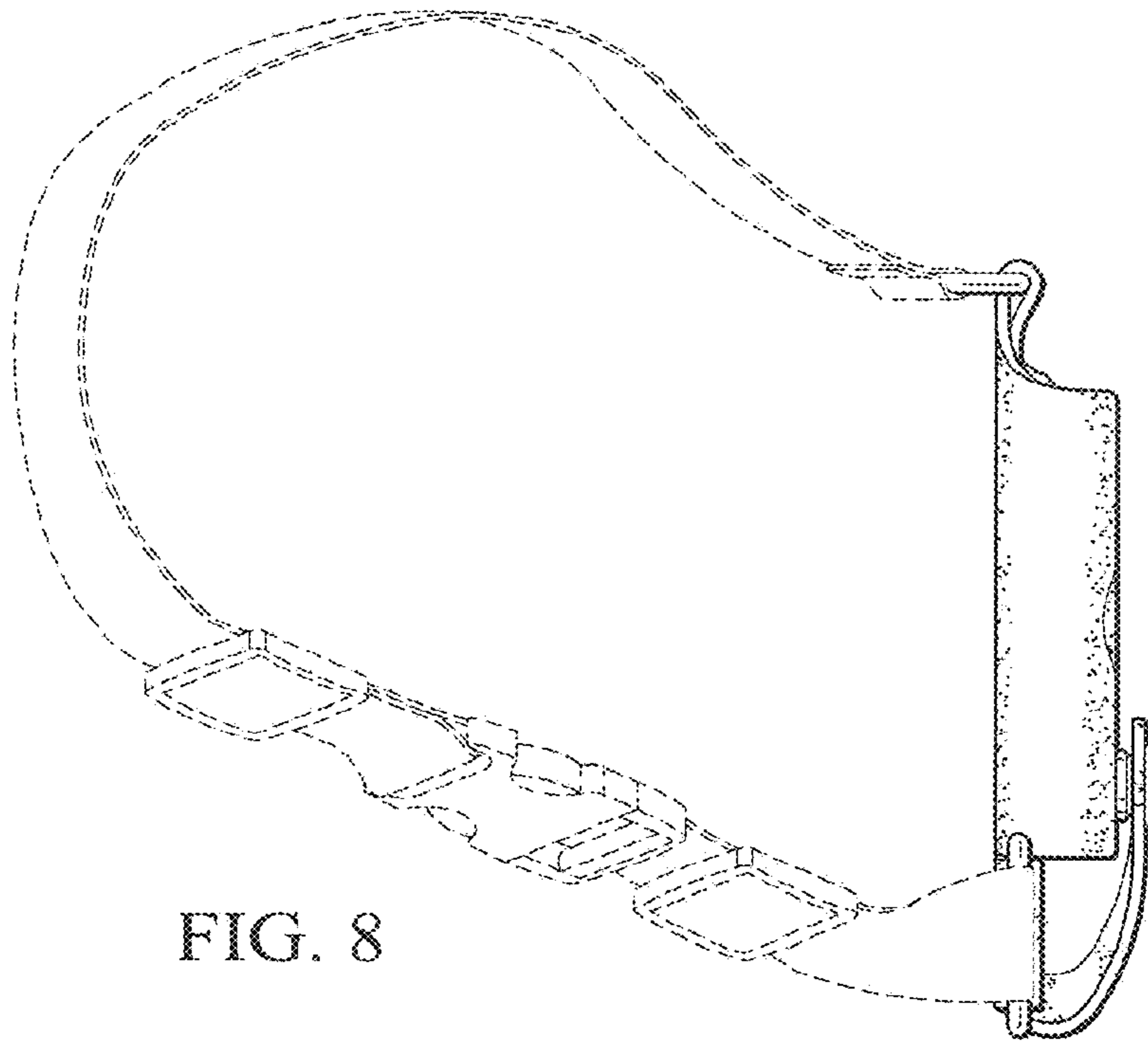


FIG. 8

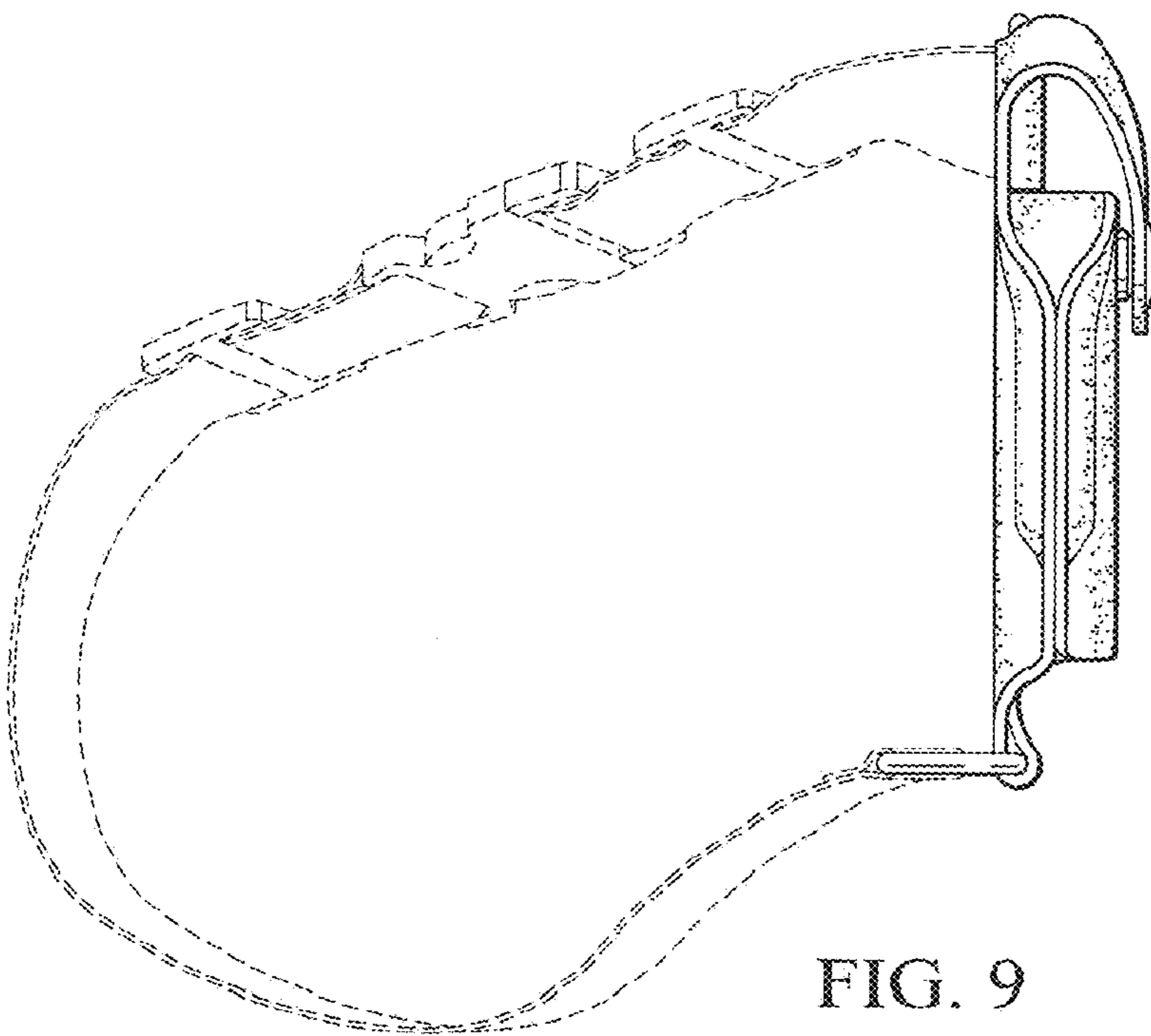


FIG. 9