



US00D770162S

(12) **United States Design Patent**
Fong

(10) **Patent No.:** **US D770,162 S**
(45) **Date of Patent:** **** Nov. 1, 2016**

- (54) **CRUTCH GRIP**
- (71) Applicant: **Medline Industries, Inc.**, Mundelein, IL (US)
- (72) Inventor: **Brendan Fong**, Riverwoods, IL (US)
- (73) Assignee: **Medline Industries, Inc.**, Mundelein, IL (US)
- (**) Term: **14 Years**
- (21) Appl. No.: **29/507,103**
- (22) Filed: **Oct. 23, 2014**
- (51) **LOC (10) Cl.** **03-03**
- (52) **U.S. Cl.**
USPC **D3/12**
- (58) **Field of Classification Search**
USPC D3/5-17; D12/128-133; D15/142;
D8/300, 303, 315, 355, 302, 394
CPC A45B 9/00; A45B 3/00; A45B 9/02;
A45B 9/04; A61H 3/00; A61H 3/02; A47B
91/06; F16L 3/26; F16L 3/2235; H02G
3/0456
See application file for complete search history.

- 4,647,241 A * 3/1987 Weber F16B 7/0426
403/18
- D304,904 S * 12/1989 Kercher D23/262
- 5,101,845 A * 4/1992 Kravetz A45B 3/00
135/66
- 5,197,502 A * 3/1993 Wang A61H 3/02
135/68
- 5,291,910 A * 3/1994 Bui A61H 3/02
135/68
- 5,299,589 A * 4/1994 Zatulovsky A61H 3/02
135/68
- 5,341,829 A * 8/1994 Hsiao A61H 3/02
135/68
- 5,381,813 A 1/1995 Miric et al.
- 5,605,170 A * 2/1997 Weng A61H 3/02
135/68
- 5,606,985 A * 3/1997 Battiston A61H 3/02
135/72
- 5,765,583 A * 6/1998 Gamper A61H 3/02
135/65
- 5,791,360 A * 8/1998 Battiston A61H 3/02
135/68

(Continued)

OTHER PUBLICATIONS

O'Brien, Jeffrey "NonFinalOA", U.S. Appl. No. 14/522,438, filed Oct. 23, 2014; Mailed Jan. 5, 2016.

(Continued)

Primary Examiner — John Windmuller
Assistant Examiner — Steven Czyz
(74) *Attorney, Agent, or Firm* — Philip H. Burrus, IV

(56) **References Cited**

U.S. PATENT DOCUMENTS

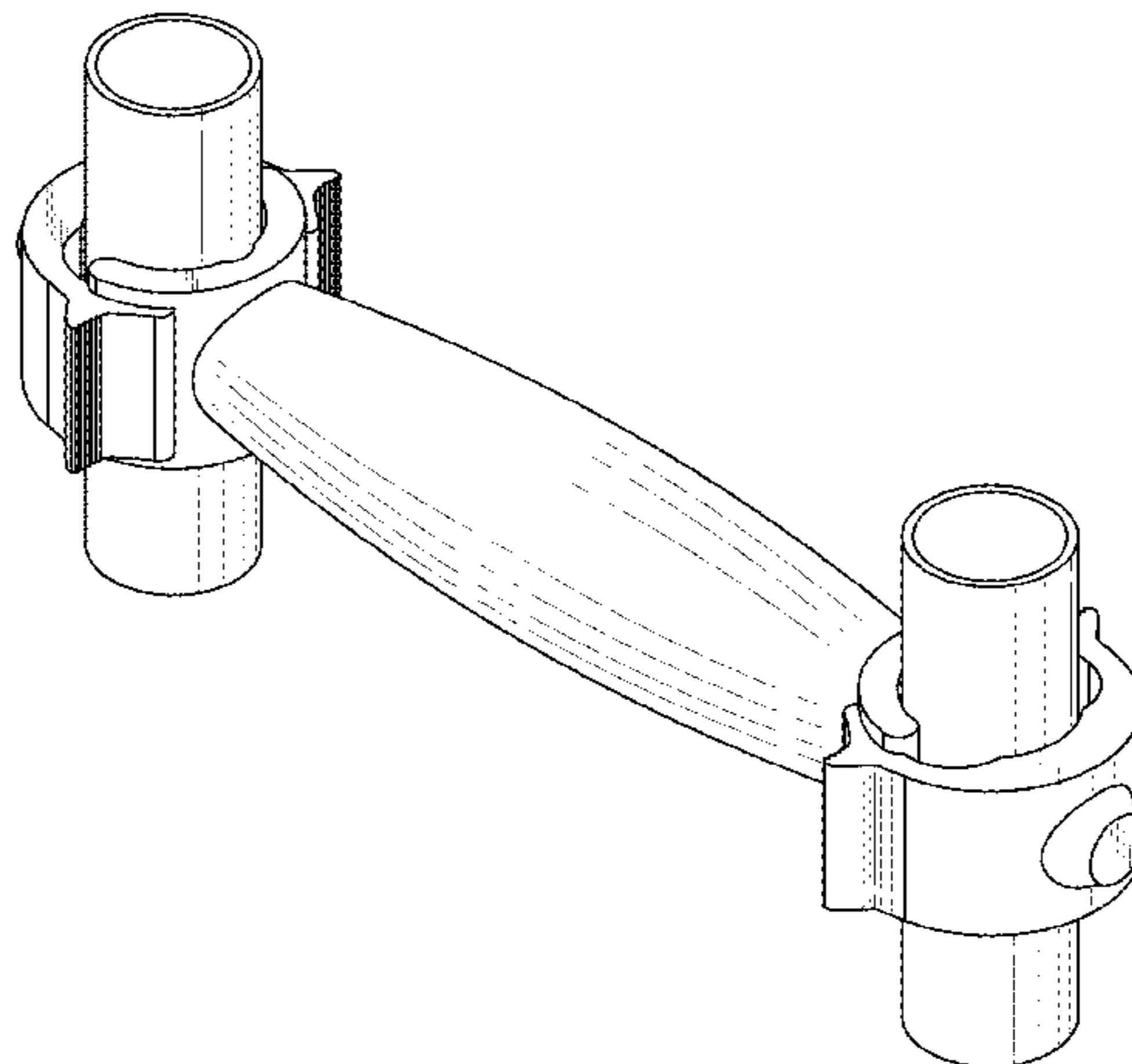
- 596,203 A 12/1897 Drake
- D31,802 S * 11/1899 Gardner et al. D8/303
- 705,741 A 7/1902 Drew
- 1,296,042 A 3/1919 Bralove
- 2,239,180 A * 4/1941 Kupfer A61H 3/02
135/72
- 2,669,244 A * 2/1954 Greene A61H 3/02
135/72
- 2,793,647 A * 5/1957 Urie A61H 3/02
135/69
- 3,195,550 A * 7/1965 Ingalls A61H 3/04
135/67
- 3,269,399 A * 8/1966 Smith A61H 3/02
135/72
- 4,572,227 A * 2/1986 Wheeler A61H 3/02
135/72

(57) **CLAIM**
The ornamental design for a crutch grip, as shown and described.

DESCRIPTION

FIG. 1 is a shaded, front, elevation view of a crutch grip showing our new design;
FIG. 2 is a top plan view thereof;
FIG. 3 is a perspective view thereof;
FIG. 4 is a right side elevation view thereof;
FIG. 5 is a front, elevation, exploded view thereof;
FIG. 6 is a top plan, exploded view thereof; and,
FIG. 7 is a perspective, exploded view thereof.

1 Claim, 5 Drawing Sheets



(56)

References Cited

U.S. PATENT DOCUMENTS

D409,479	S *	5/1999	Beugelsdyk	D8/395
D423,994	S *	5/2000	Helwig	D12/133
D425,293	S *	5/2000	Maalik	D3/8
D425,784	S *	5/2000	Beugelsdyk	D8/395
6,079,431	A *	6/2000	Su	A61H 3/02 135/68
6,314,977	B1 *	11/2001	Obitts	A61H 3/02 135/68
D457,414	S *	5/2002	Spångmyr	D15/142
6,704,968	B2 *	3/2004	Lau	A01B 1/026 16/426
6,802,326	B2 *	10/2004	Kusama	A61H 3/02 135/68
D521,720	S *	5/2006	Karasin	D3/7
D537,334	S *	2/2007	Lee	D8/396
7,255,120	B2 *	8/2007	Garza, Sr.	A61H 3/02 135/68
D553,971	S *	10/2007	Krueger	D8/396
7,434,592	B2 *	10/2008	Larson	A61H 3/02 135/72
D595,517	S *	7/2009	Fiori	D6/657
D617,544	S *	6/2010	Okoniewski, Jr.	D3/7
D621,680	S *	8/2010	Hsu	D8/303
D631,403	S *	1/2011	Knopf	D12/133
7,882,596	B2 *	2/2011	Hixon	A01B 1/026 16/406
8,069,869	B1 *	12/2011	Huang	A61H 3/02 135/68
D659,517	S *	5/2012	McGrath	D8/355
D672,229	S *	12/2012	Reid	D8/396
D700,835	S *	3/2014	Langlois	D8/396
D708,053	S *	7/2014	Marini	D24/127
8,800,579	B2 *	8/2014	Severson	A61H 3/02 135/72
D712,730	S *	9/2014	Gridley	D8/396
D720,605	S *	1/2015	McGrath	D8/355
9,050,239	B1 *	6/2015	Lin	A61H 3/02
D739,484	S *	9/2015	Kaye	D21/694
2002/0020438	A1 *	2/2002	Best	A61H 3/02 135/69
2008/0078431	A1 *	4/2008	Battiston	A61H 3/04 135/67
2008/0092338	A1 *	4/2008	Wu	B25G 1/102 16/430
2011/0240078	A1 *	10/2011	Lenhart	A45B 9/00 135/75

OTHER PUBLICATIONS

Obrien, Jeffrey Final OA, U.S. Appl. No. 14/522,438, filed Oct. 23, 2014; Mailed Apr. 29, 2016.
 “Medline Catalog”, Crutch Attachment Platform; Medline Catalog; <http://www.medline.com/catalog/catalog.jsp>; Unknown Publication date but believed to be prior to present application filing date.
 “Medline Catalog”, Crutch Foam Hand Grip; Medline Catalog; <http://www.medline.com/catalog/catalog.jsp>; Unknown Publication date but believed to be prior to present application filing date.
 “Medline Catalog”, Crutch Grip Accessory Kit; Medline Catalog; <http://www.medline.com/catalog/catalog.jsp>; Unknown Publication date but believed to be prior to present application filing date.
 “Medline Catalog”, Crutch Hand Grips (Closed) by Drive/DeVil-libiss Health; Medline Catalog; <http://www.medline.com/catalog/catalog.jsp>; Unknown Publication date but believed to be prior to present application filing date.
 “Medline Catalog”, Crutch Hand Grips; Medline Catalog; <http://www.medline.com/catalog/catalog.jsp>; Unknown Publication date but believed to be prior to present application filing date.
 “Medline Catalog”, Crutch-Mate Arm Pad, Forearm Pad Medline Catalog; <http://www.medline.com/catalog/catalog.jsp>; Unknown Publication date but believed to be prior to present application filing date.
 “Medline Catalog”, Deluxe Forearm Crutches by Graham-Field; Medline Catalog; <http://www.medline.com/catalog/catalog.jsp>; Unknown Publication date but believed to be prior to present application filing date.
 “Medline Catalog”, Forearm Crutch Cuff; Medline Catalog; <http://www.medline.com/catalog/catalog.jsp>; Unknown Publication date but believed to be prior to present application filing date.
 “Medline Catalog”, Guardian/Red-Dot Crutch Hand Grip; Medline Catalog; <http://www.medline.com/catalog/catalog.jsp>; Unknown Publication date but believed to be prior to present application filing date.
 “Medline Catalog”, Platform Forearm Crutch by Patterson Med; Medline Catalog; <http://www.medline.com/catalog/catalog.jsp>; Unknown Publication date but believed to be prior to present application filing date.
 “Medline Catalog”, Quick-Fit Aluminum Crutches; Medline Catalog; <http://www.medline.com/catalog/catalog.jsp>; Unknown Publication date but believed to be prior to present application filing date.
 “Medline Catalog”, Wooden Crutches by Sammons Preston; Medline Catalog; <http://www.medline.com/catalog/catalog.jsp>; Unknown Publication date but believed to be prior to present application filing date.

* cited by examiner

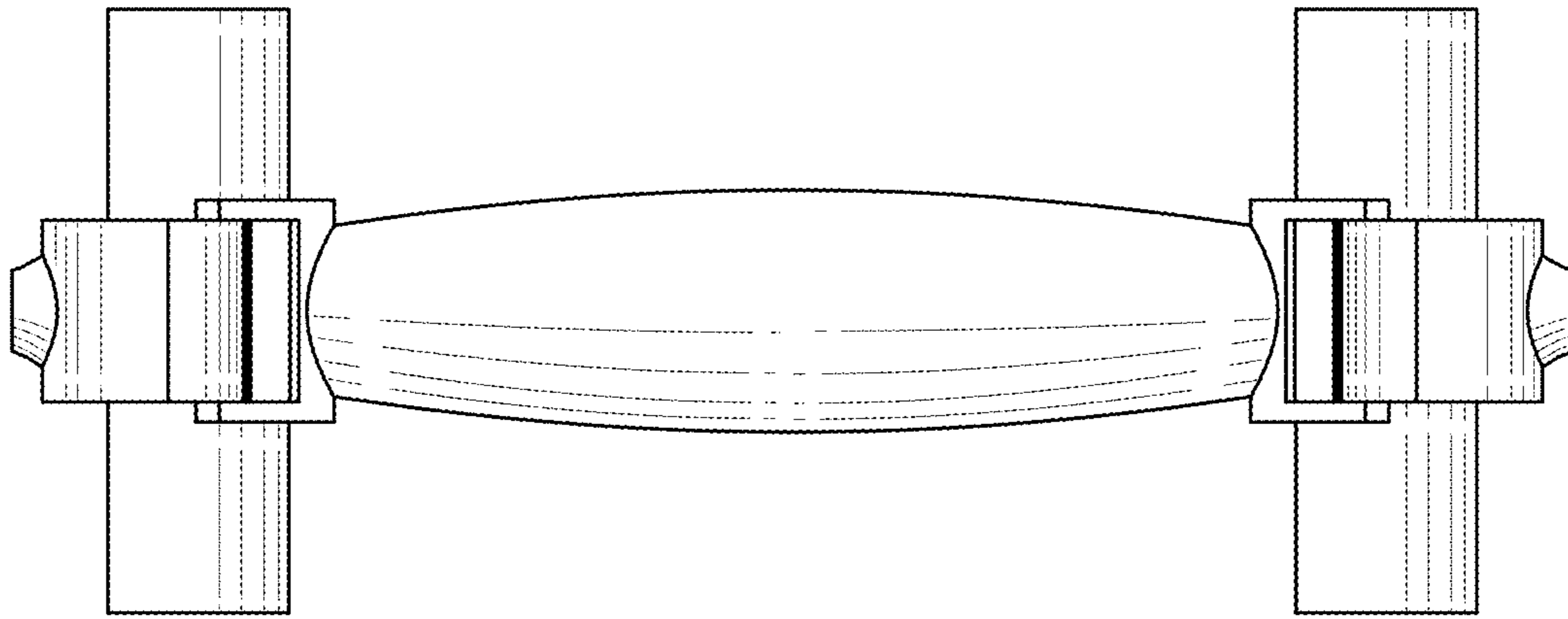


FIG. 1

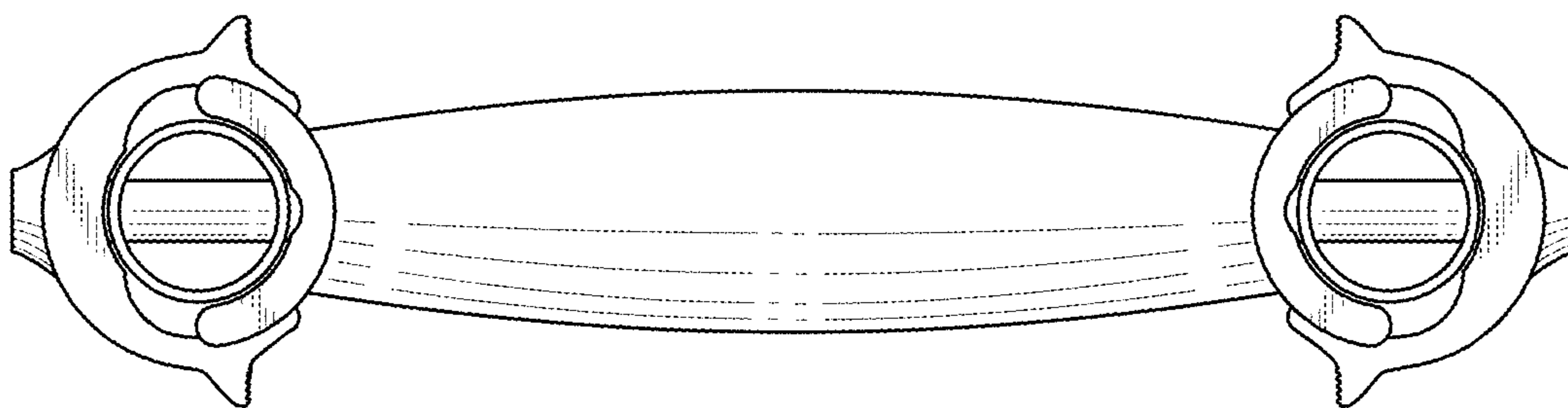


FIG. 2

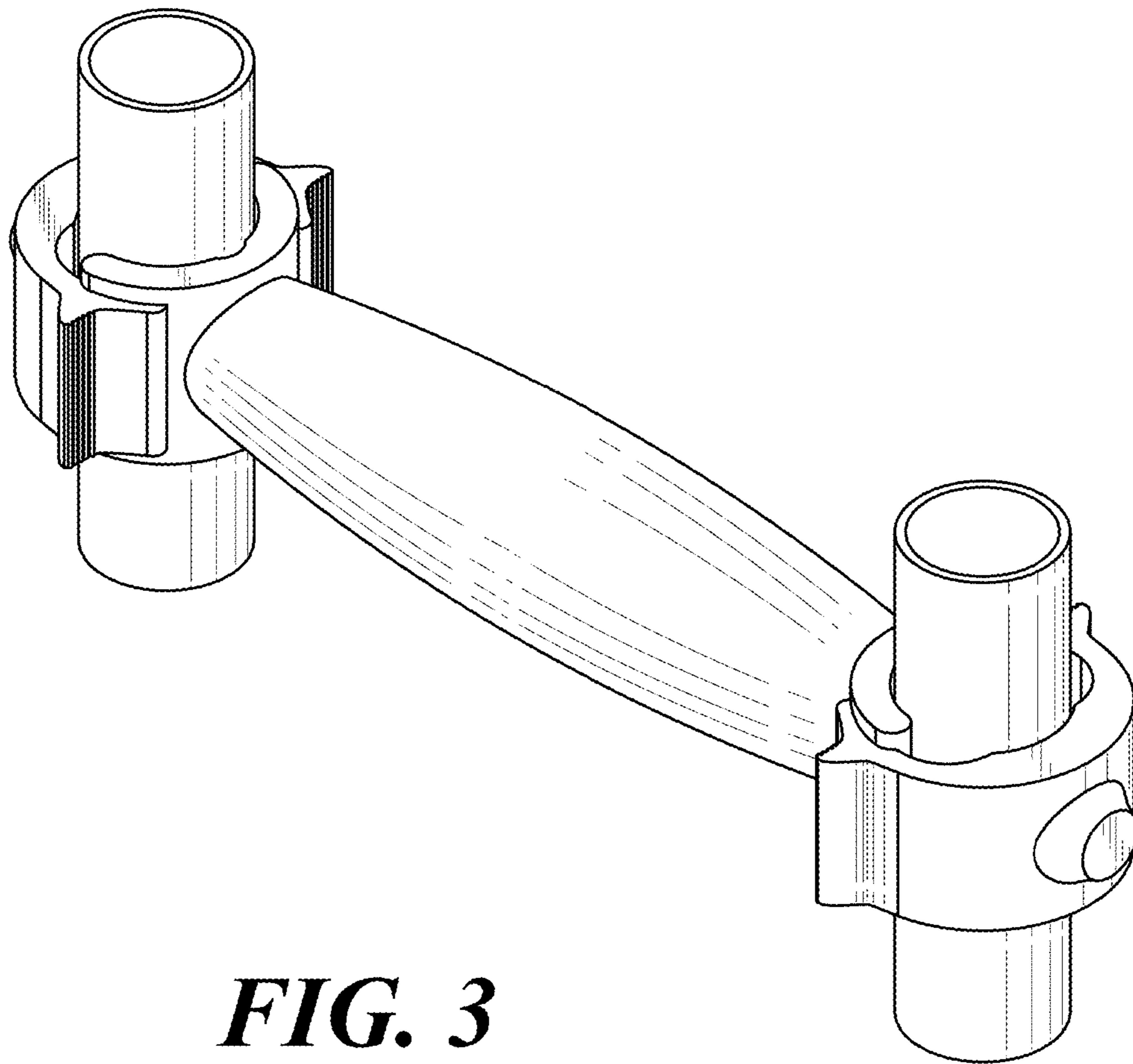


FIG. 3

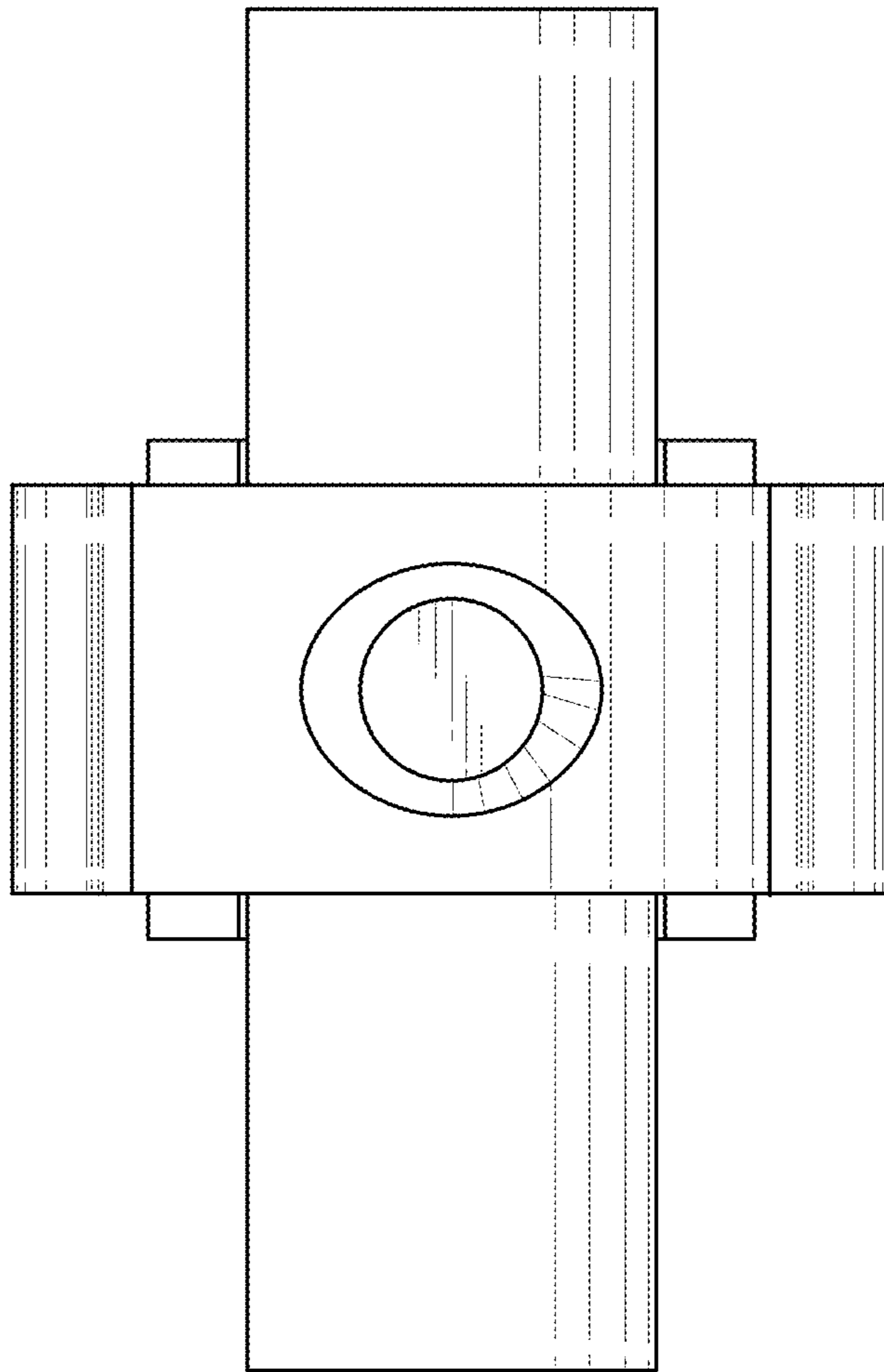


FIG. 4

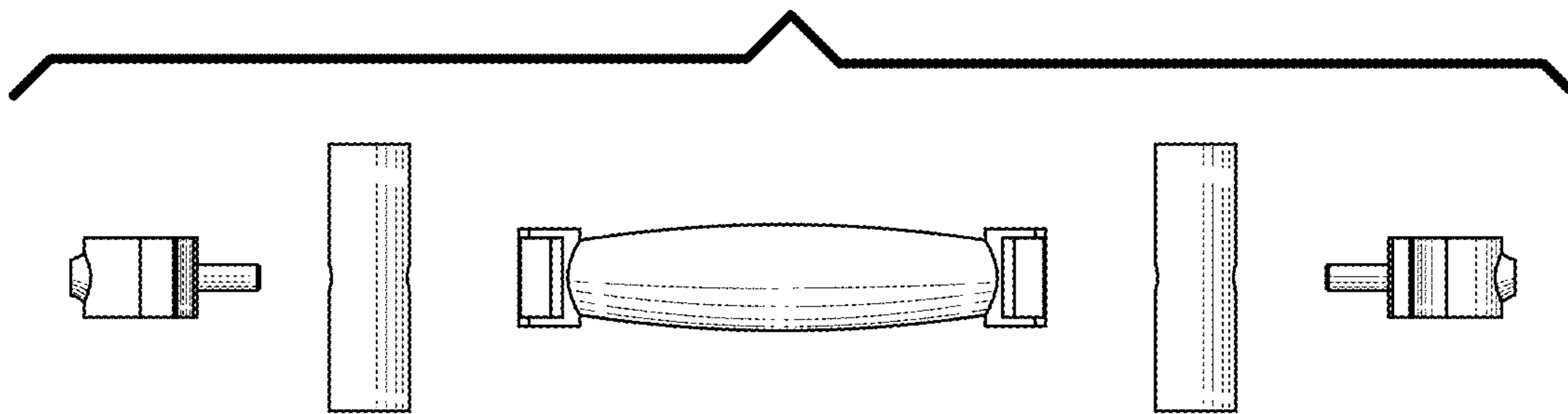


FIG. 5

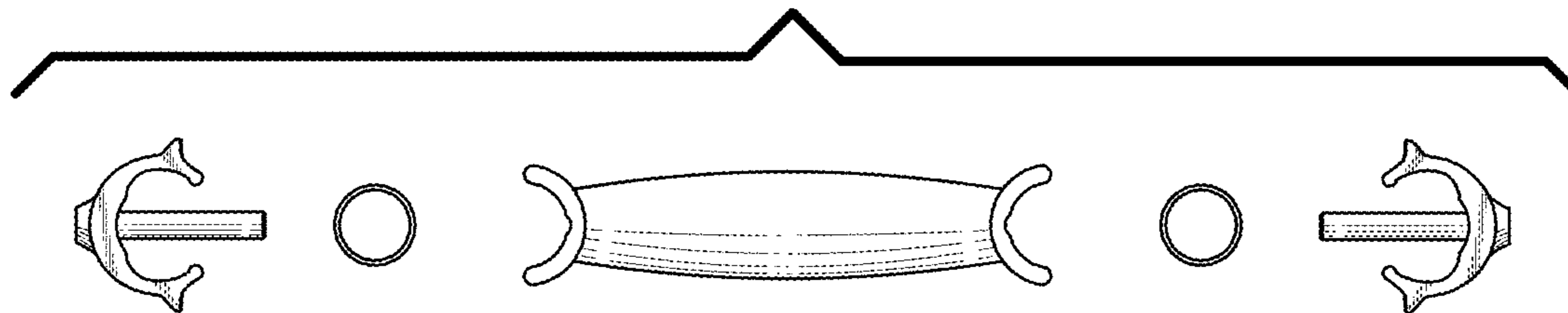


FIG. 6

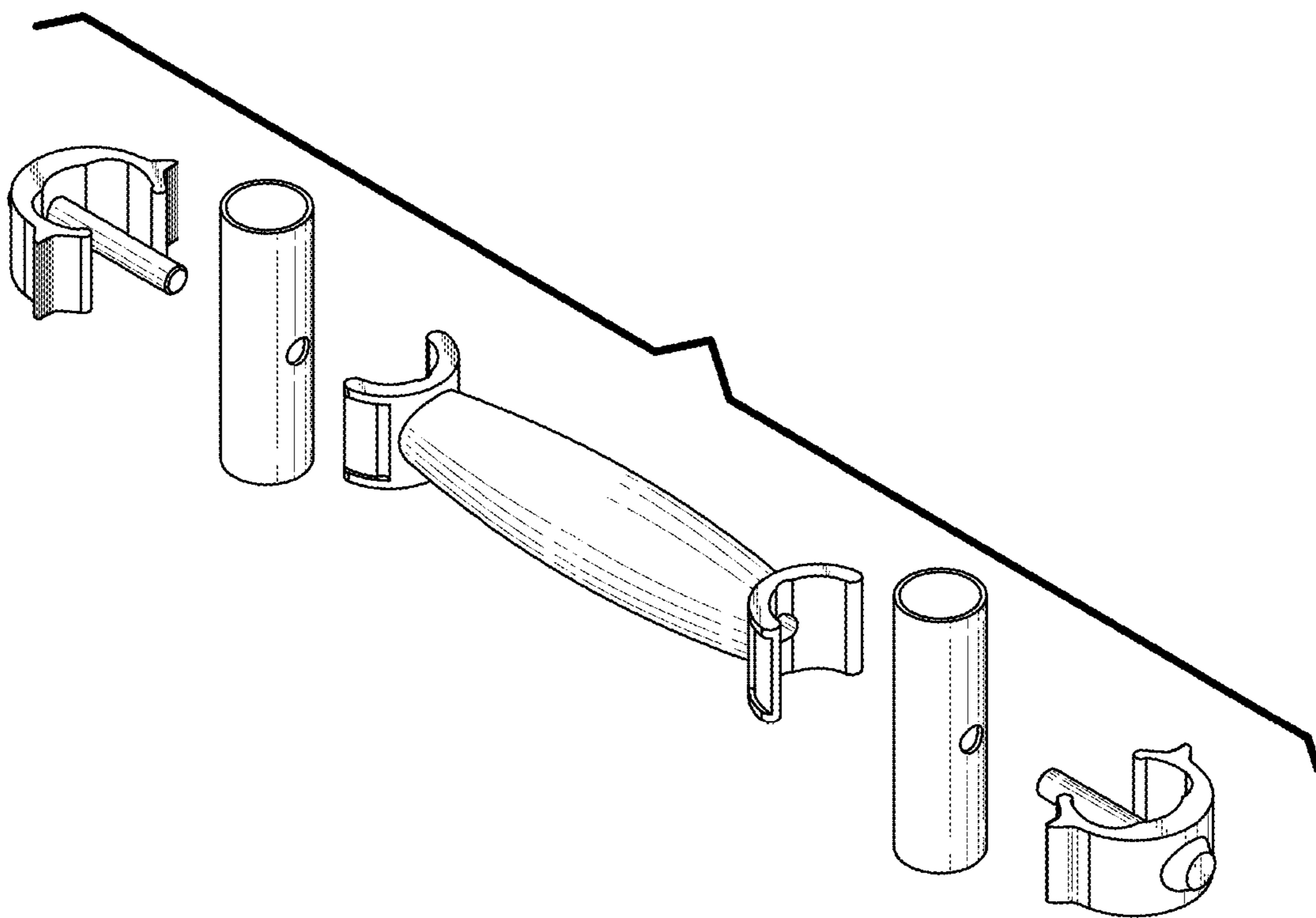


FIG. 7