



US00D770156S

(12) **United States Design Patent**  
**McClaskie**

(10) **Patent No.:** **US D770,156 S**

(45) **Date of Patent:** **\*\* Nov. 1, 2016**

(54) **UPPER FOR A SHOE**

(71) Applicant: **Thomas E. McClaskie**, Bethlehem, PA  
(US)

(72) Inventor: **Thomas E. McClaskie**, Bethlehem, PA  
(US)

(73) Assignee: **Columbia Insurance Company**,  
Omaha, NE (US)

(\*\*) Term: **14 Years**

(21) Appl. No.: **29/520,499**

(22) Filed: **Mar. 16, 2015**

(51) **LOC (10) Cl.** ..... **02-04**

(52) **U.S. Cl.**  
USPC ..... **D2/970**

(58) **Field of Classification Search**  
USPC ..... D2/896, 900, 909-911, 943, 946, 969,  
D2/970, 974; 36/83, 1.5, 2 R, 109, 3 A,  
36/7.1 R, 45, 52, 112, 100  
CPC ..... A43C 1/00; A43C 11/004; A43B 3/16;  
A43B 23/00  
See application file for complete search history.

(56) **References Cited**

**U.S. PATENT DOCUMENTS**

1,165,874 A \* 12/1915 Hale ..... A43C 1/00  
36/50.1  
D122,454 S \* 9/1940 Ascheim ..... D2/911

D136,965 S \* 1/1944 Wharton ..... D2/911  
D569,090 S \* 5/2008 Uratsu ..... D2/970  
D706,526 S \* 6/2014 Mentha ..... D2/911  
D727,611 S \* 4/2015 Dillenbeck ..... D2/970  
D732,813 S \* 6/2015 McClaskie ..... D2/970

\* cited by examiner

*Primary Examiner* — Ian Simmons

*Assistant Examiner* — Rashida C Walshon

(74) *Attorney, Agent, or Firm* — IP Attorneys Group,  
LLC

(57) **CLAIM**

The ornamental design for an upper for a shoe, as shown and described.

**DESCRIPTION**

FIG. 1 is a right perspective view of an upper for a shoe in accordance with my new design;  
FIG. 2 is a top view thereof;  
FIG. 3 is a right view thereof;  
FIG. 4 is a left side view thereof;  
FIG. 5 is a front side view thereof; and,  
FIG. 6 is a rear view thereof.  
The broken lines shown in all of the figures are for environmental purposes and form no part of the claim.

**1 Claim, 6 Drawing Sheets**





FIG. 1

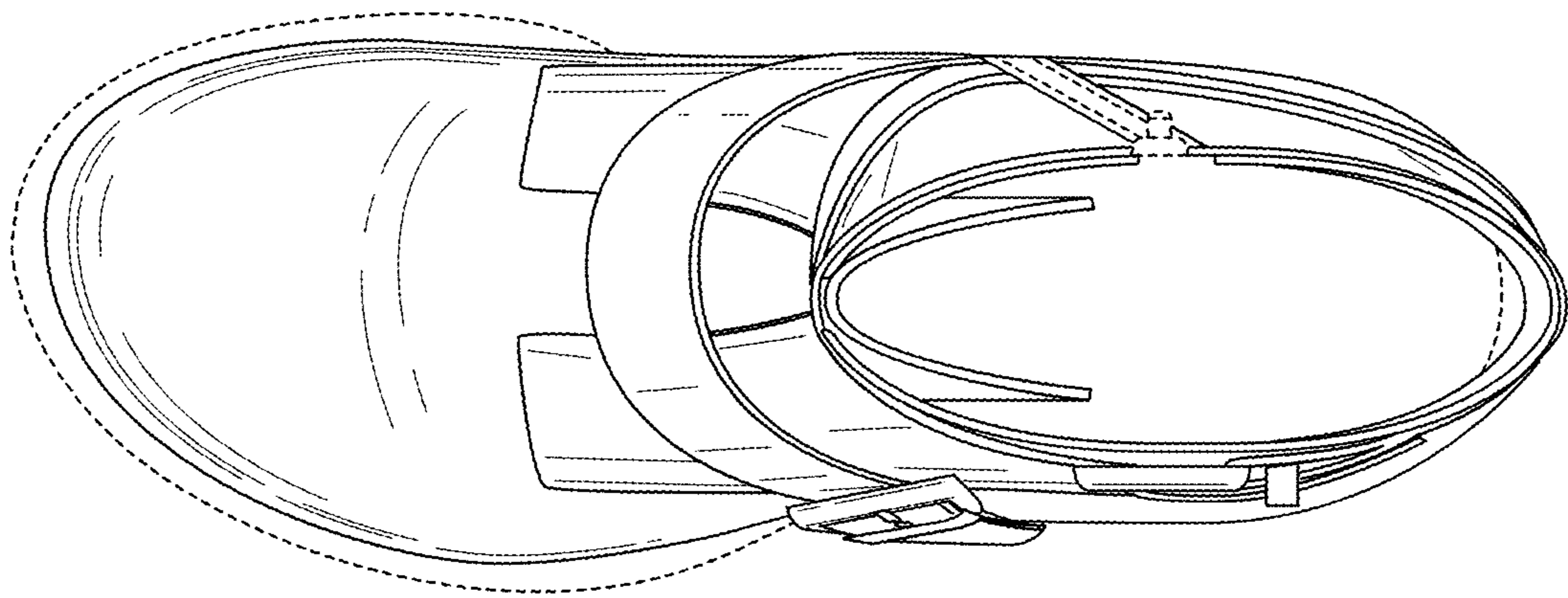


FIG. 2

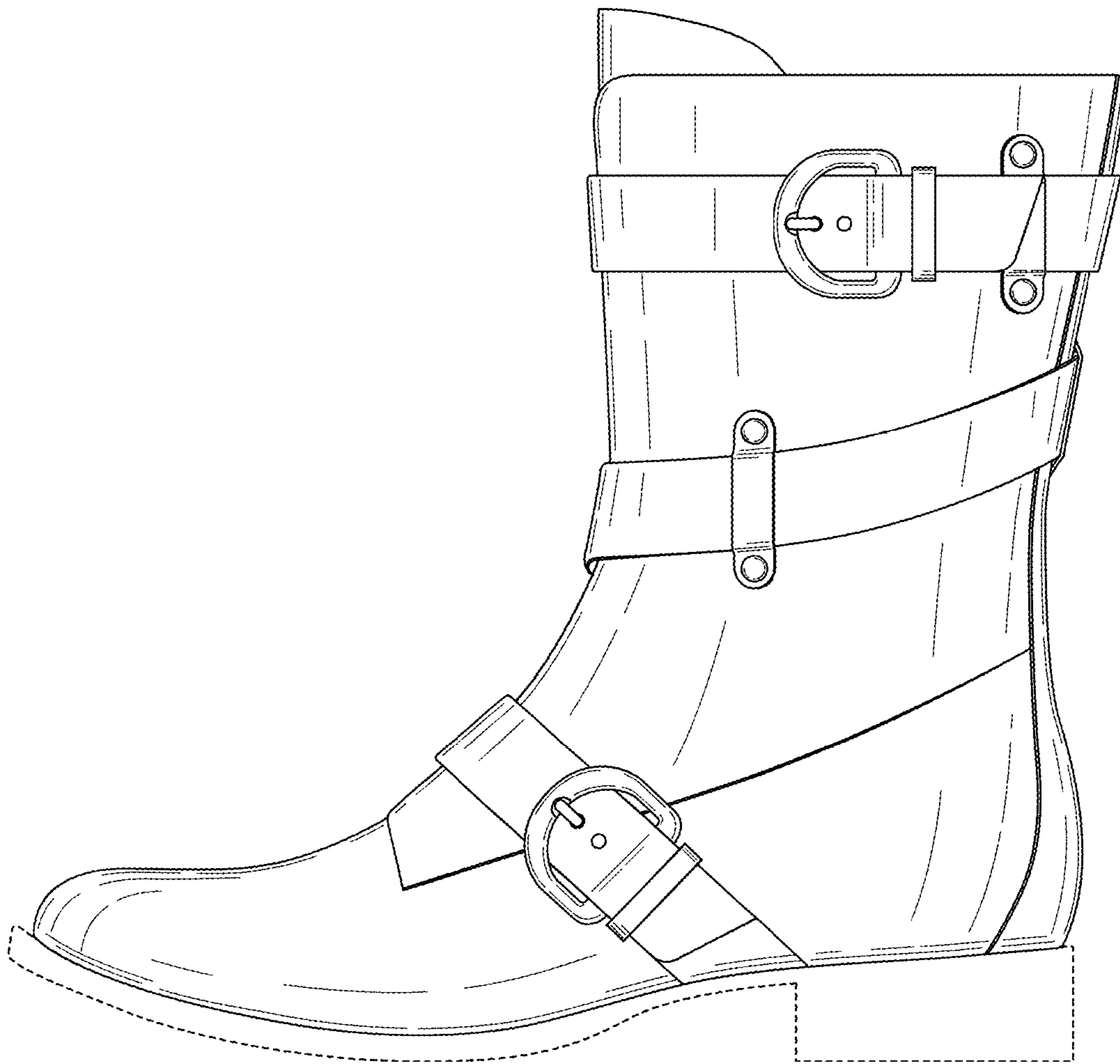
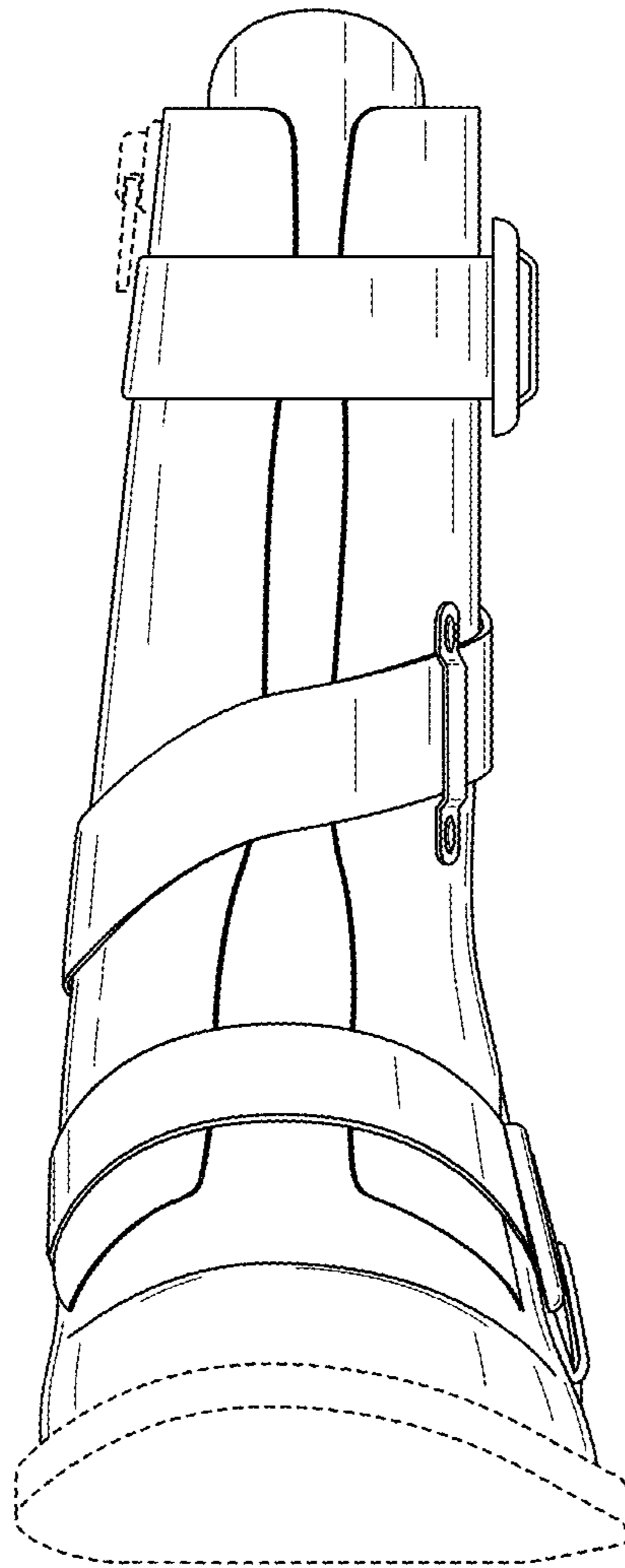


FIG. 3



FIG. 4



**FIG. 5**

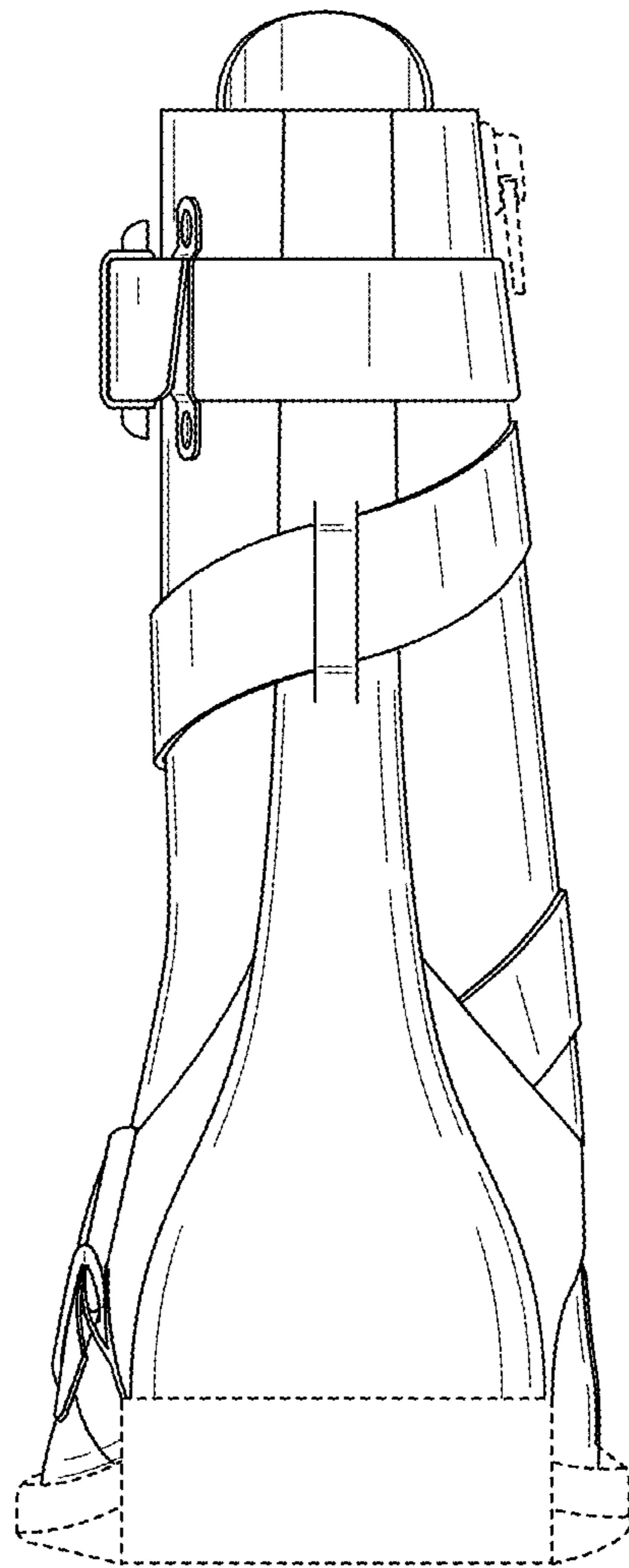


FIG. 6