



US00D770151S

(12) **United States Design Patent** (10) **Patent No.:** **US D770,151 S**
Choi (45) **Date of Patent:** **** Nov. 1, 2016**

(54) **FRONT SPIKE OF CRAMPONS**
(71) Applicant: **Jin Hong Choi**, Pyeongtaek-Si (KR)
(72) Inventor: **Jin Hong Choi**, Pyeongtaek-Si (KR)
(73) Assignee: **Snowline Co., LTD.**, Pyeongtaesk-si (KR)
(**) Term: **14 Years**
(21) Appl. No.: **29/524,044**
(22) Filed: **Apr. 16, 2015**
(51) **LOC (10) Cl.** **02-04**
(52) **U.S. Cl.**
USPC **D2/946**
(58) **Field of Classification Search**
USPC D2/904, 907, 908, 909, 910, 913, 919,
D2/920, 921, 924, 943, 944, 945, 946, 962,
D2/969, 972, 976, 978; D21/772, 800
CPC A43B 3/0078; A43B 3/101; A43B 3/14;
A43B 3/20; A43B 5/003; A43B 5/10; A43B
5/1666; A43B 23/20; A43B 23/24; A43C
1/00; A43C 1/04; A43C 7/00; A43C 13/13;
A43C 13/14; A43C 15/06; A43C 15/061;
A43C 15/068; A43C 15/09
See application file for complete search history.

(56) **References Cited**
U.S. PATENT DOCUMENTS
3,685,173 A * 8/1972 Piazza A43C 15/068
36/64
8,590,177 B1 * 11/2013 Quaeck A43B 5/002
36/132
D694,503 S * 12/2013 Lee D2/946
D748,903 S * 2/2016 Lee D2/946

2002/0095820 A1* 7/2002 Giovale A43C 15/061
36/7.6
2003/0037461 A1* 2/2003 Petzl A43C 15/068
36/7.6
2004/0016145 A1* 1/2004 Skrivan A43C 15/068
36/7.6
2004/0194346 A1* 10/2004 Petzl A43C 15/068
36/59 R
2012/0066939 A1* 3/2012 Codega A43C 15/063
36/59 C
2015/0216265 A1* 8/2015 Bonnet A43C 15/068
36/64

* cited by examiner

Primary Examiner — Celia Murphy
Assistant Examiner — Clare Ann Gannon
(74) *Attorney, Agent, or Firm* — Lucas & Mercanti, LLP

(57) **CLAIM**
The ornamental design for a “front spike of crampons,” as shown and described.

DESCRIPTION

FIG. 1 is a perspective view of front spike of crampons showing my new design;
FIG. 2 is a front view thereof;
FIG. 3 is a back view thereof;
FIG. 4 is a left side view thereof;
FIG. 5 is a right side view thereof;
FIG. 6 is a top view thereof;
FIG. 7 is a bottom view thereof; and,
FIG. 8 is a perspective view thereof, shown in a position of use with a crampon combination.
The broken lines showing S-hooks and an attached crampon in FIG. 8 depict the spike in use. The broken lines form no part of the claimed design.

1 Claim, 8 Drawing Sheets

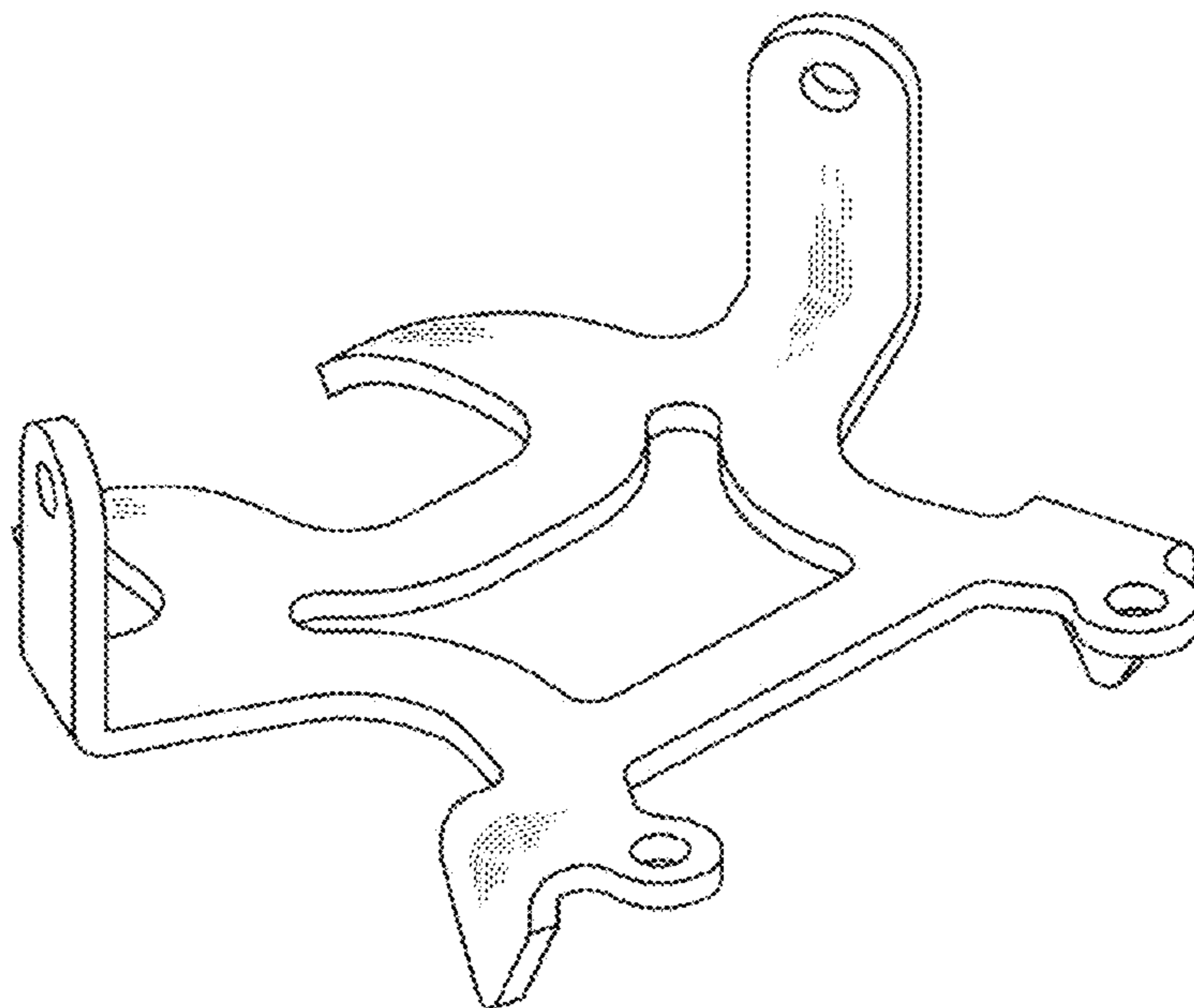


FIG. 1

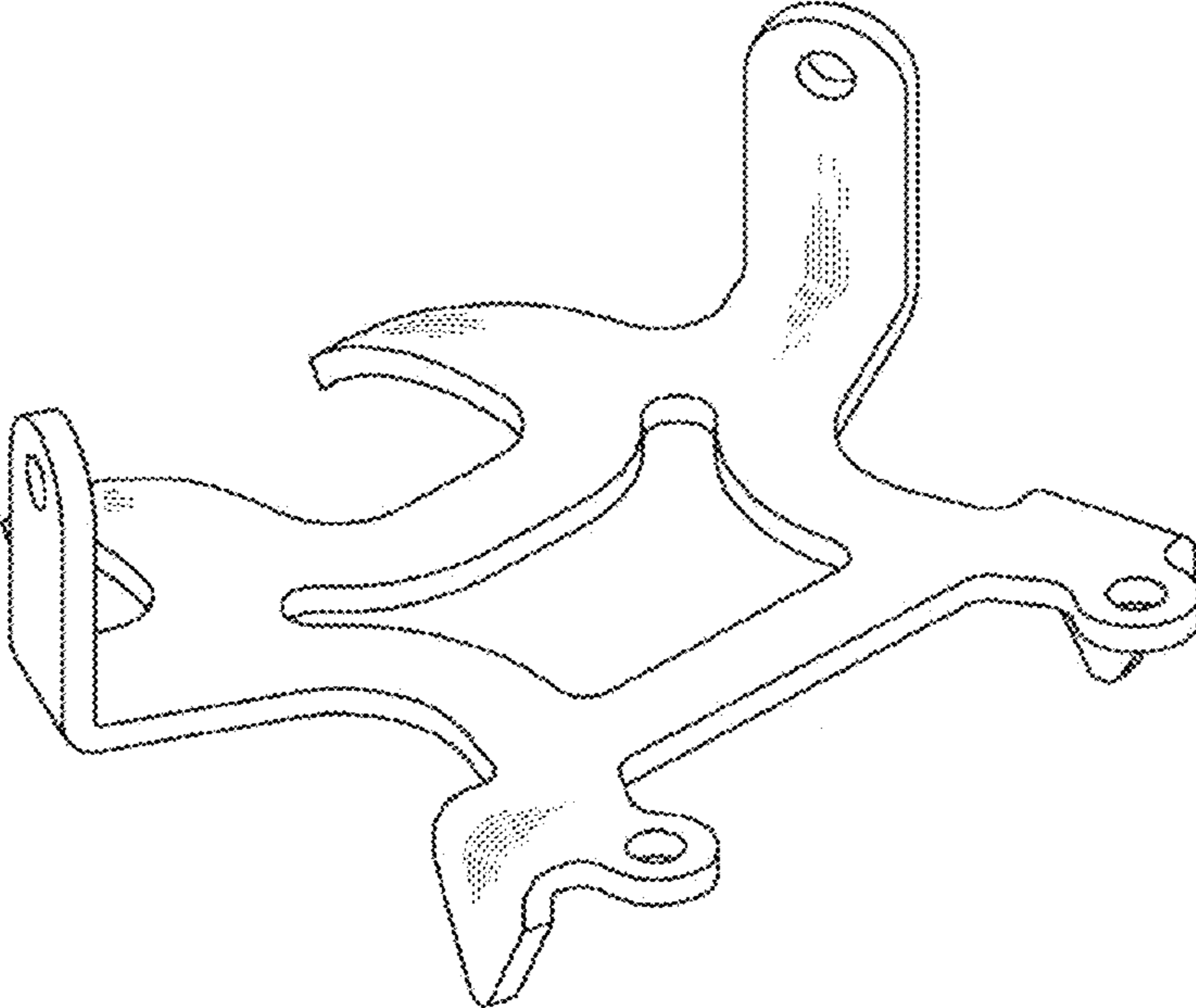


FIG. 2

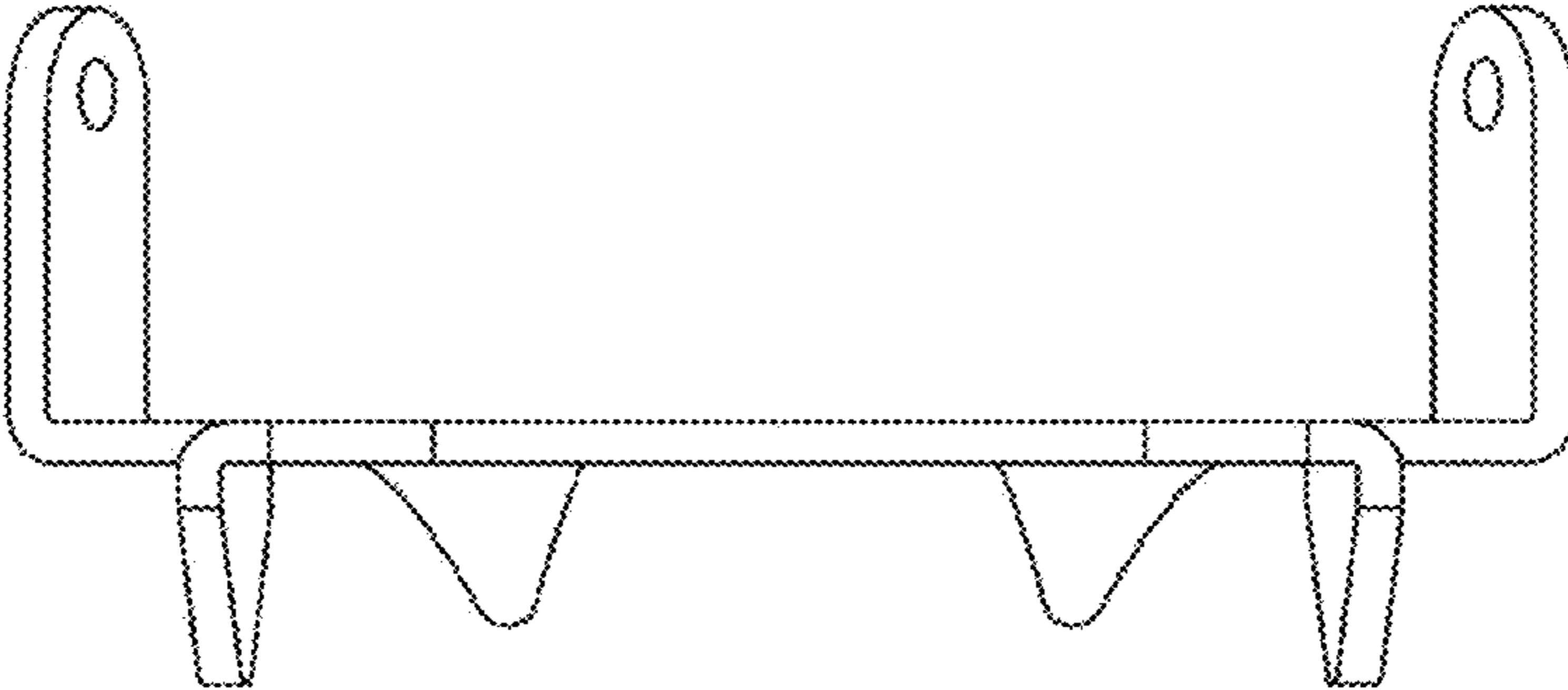


FIG. 3

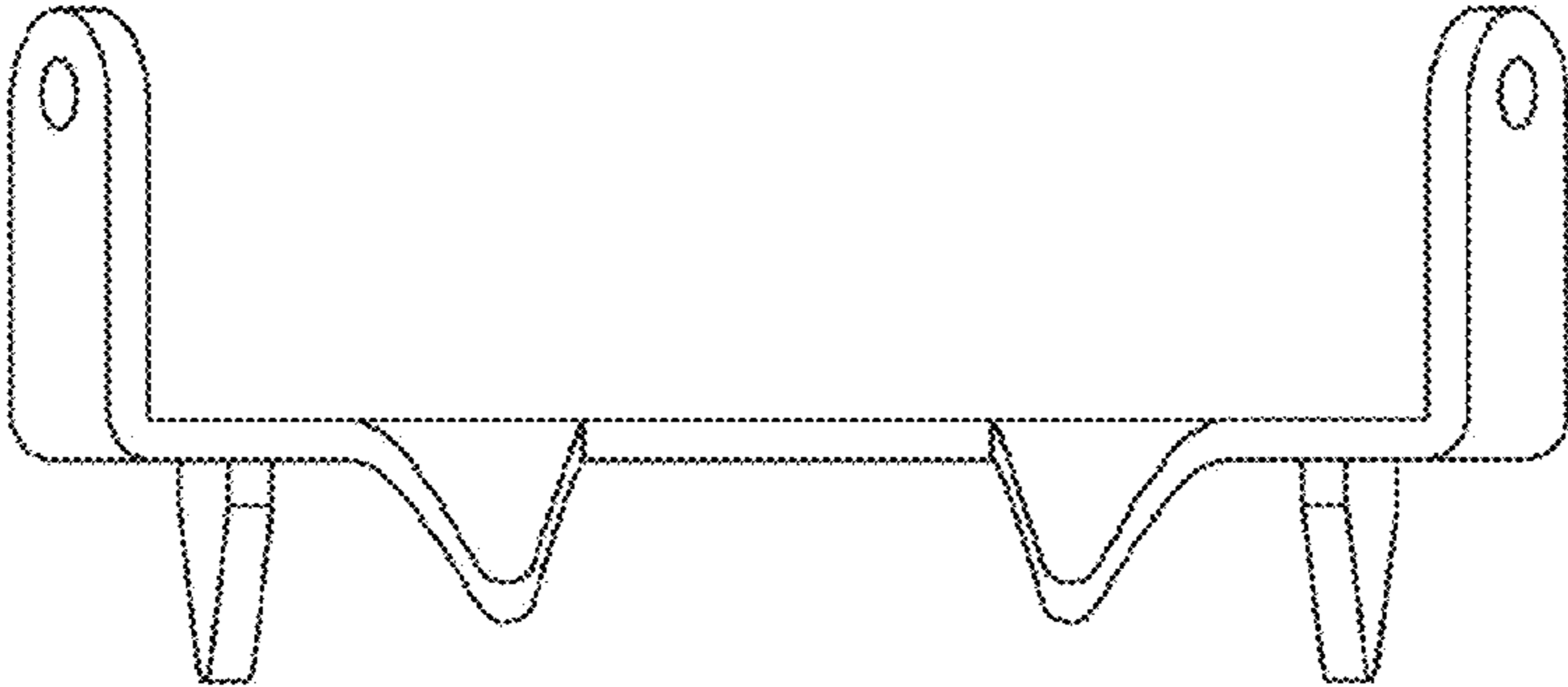


FIG. 4

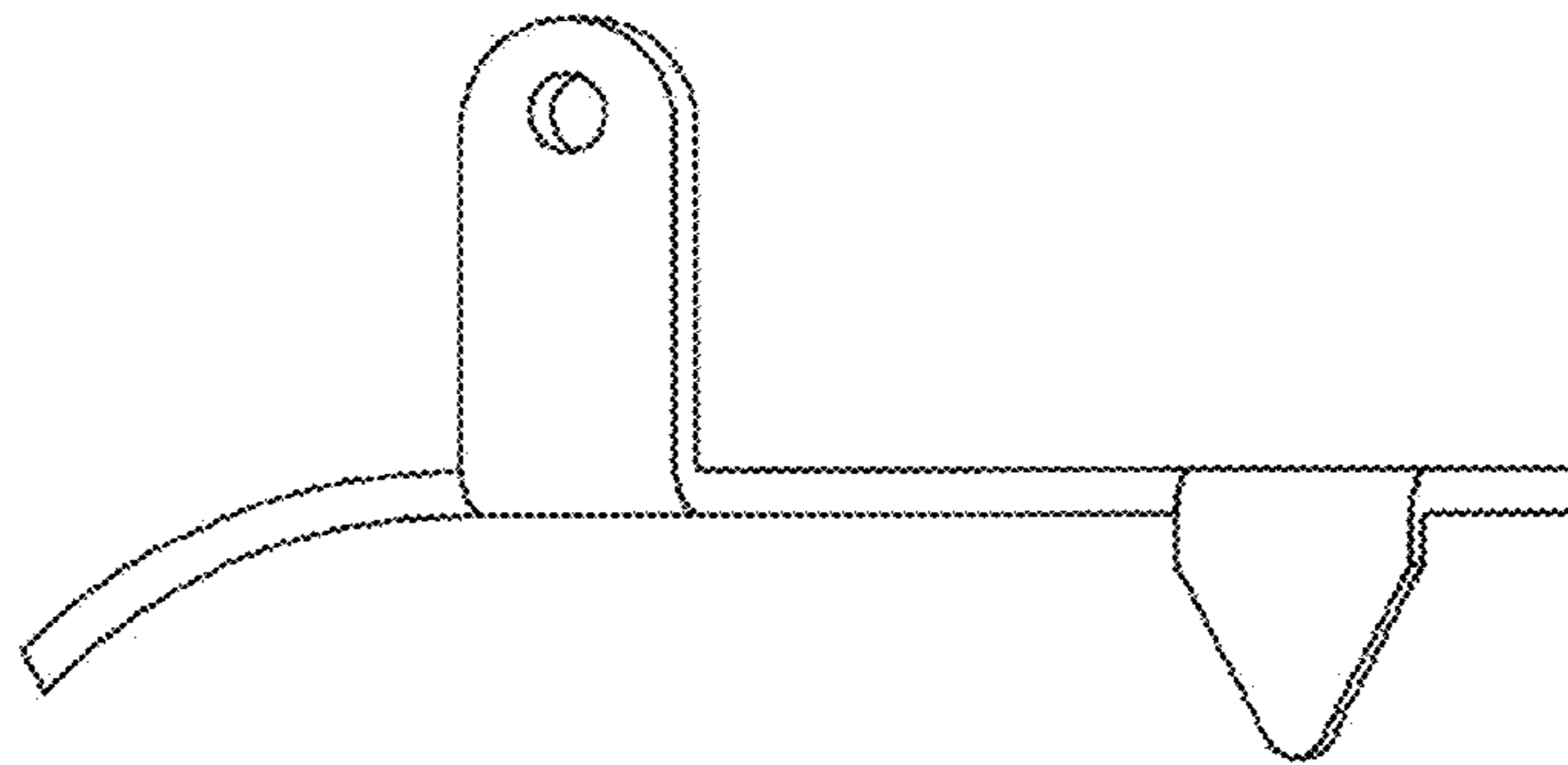


FIG. 5

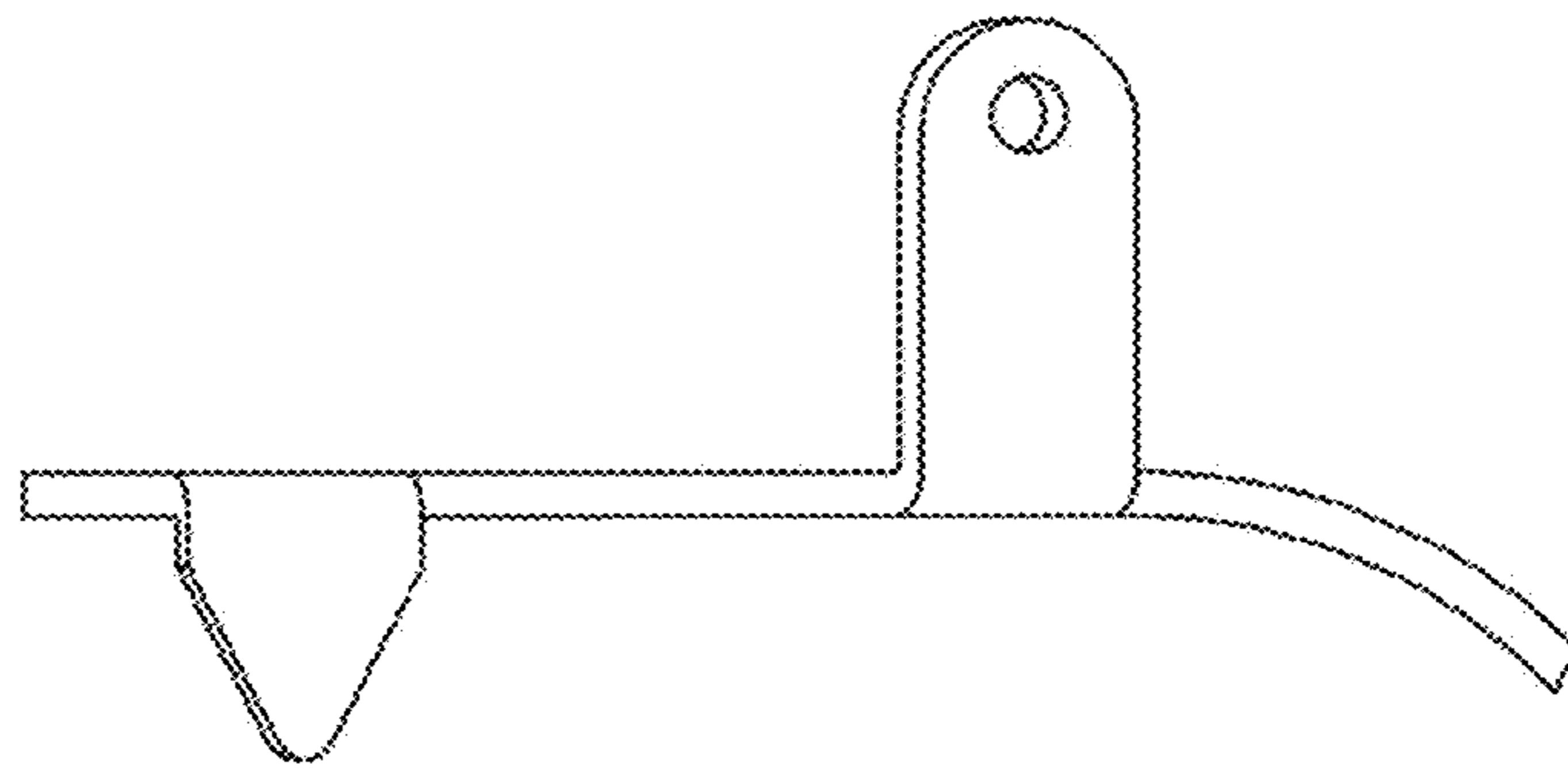


FIG. 6

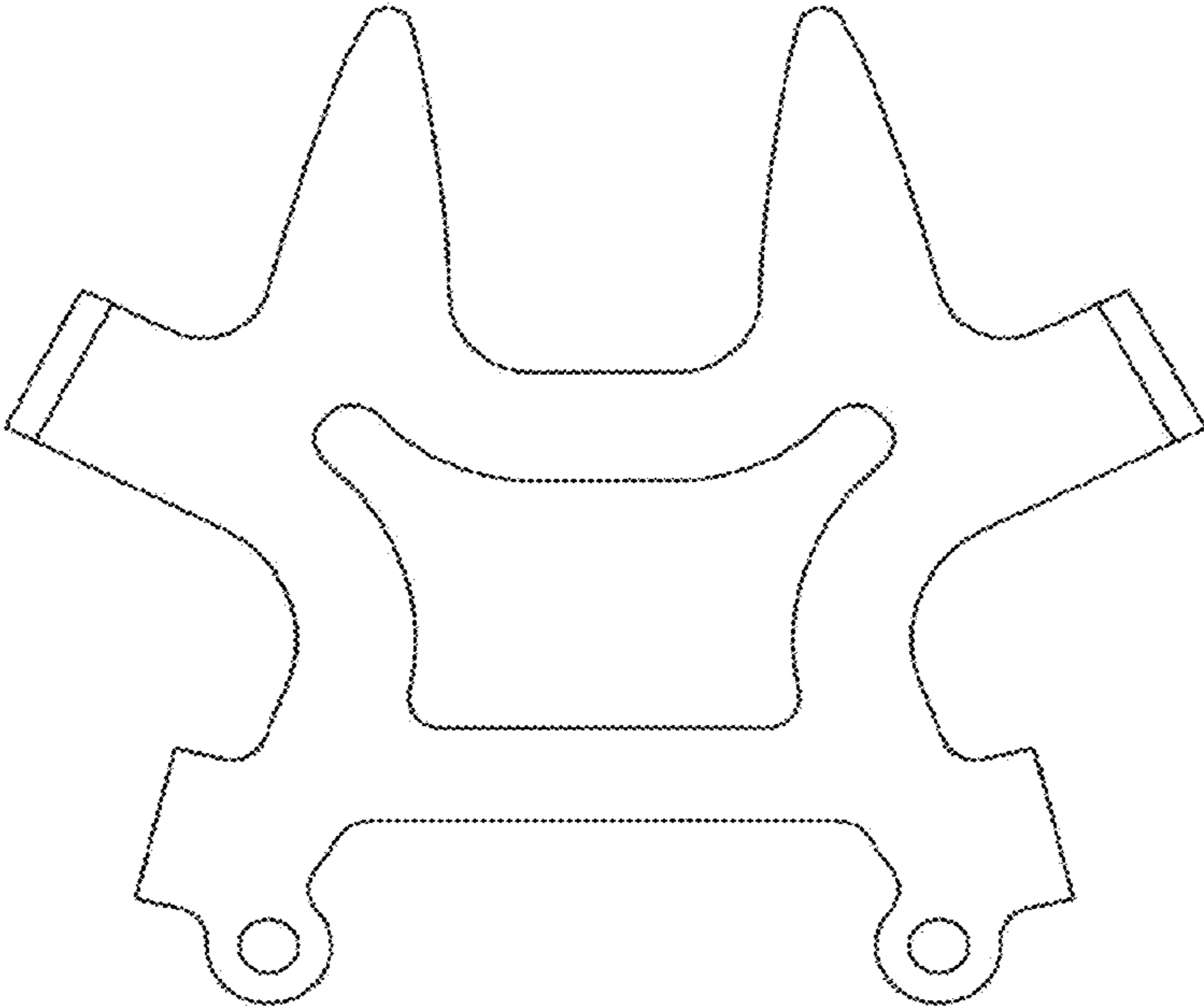


FIG. 7

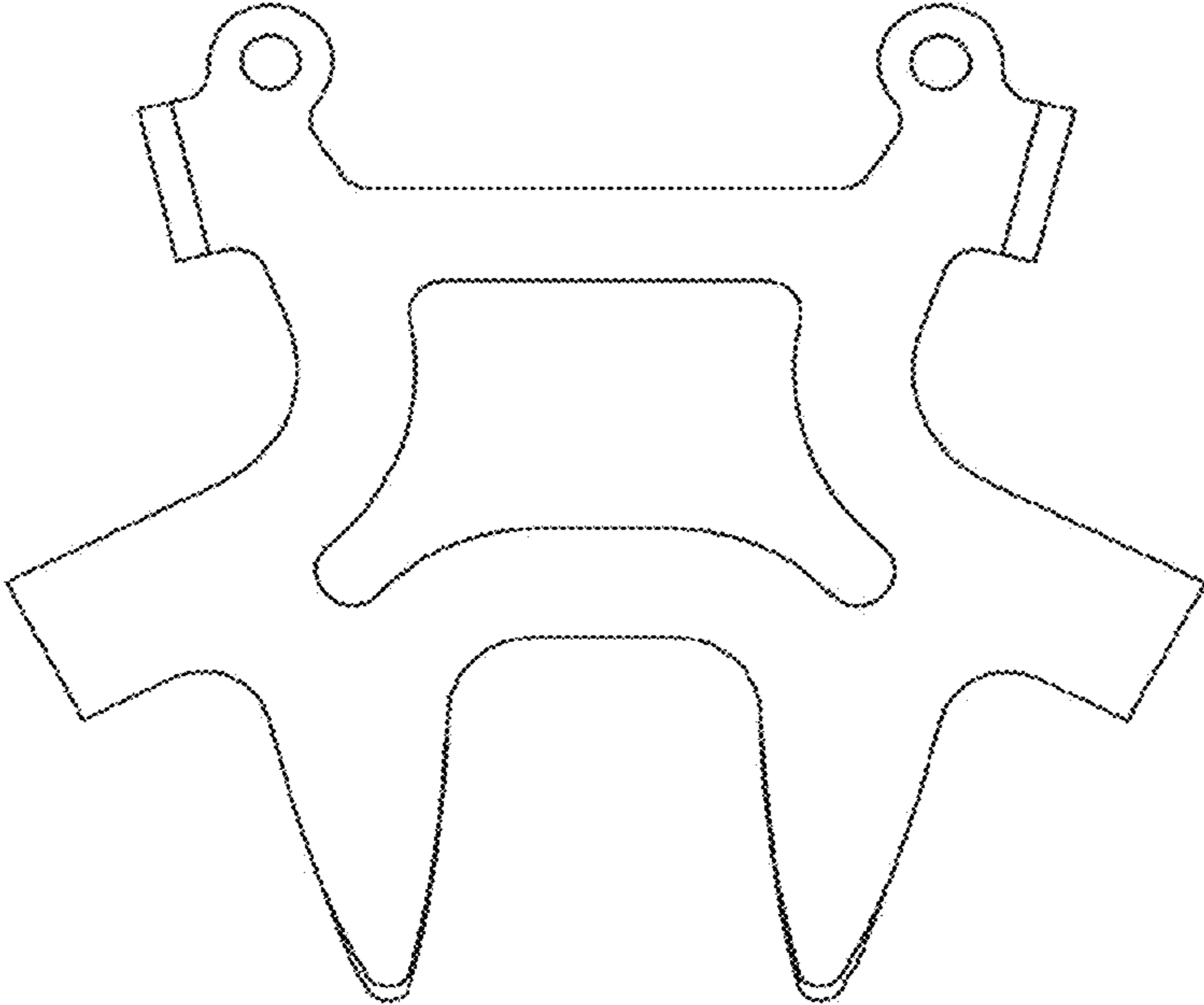


FIG. 8

