



US00D770147S

(12) **United States Design Patent**
Byrd

(10) **Patent No.:** **US D770,147 S**

(45) **Date of Patent:** **** Nov. 1, 2016**

(54) **CARRIER FOR A HAT**

(71) Applicant: **Gary M. Byrd**, St. Louis, MO (US)

(72) Inventor: **Gary M. Byrd**, St. Louis, MO (US)

(**) Term: **14 Years**

(21) Appl. No.: **29/492,015**

(22) Filed: **May 28, 2014**

(51) **LOC (10) Cl.** **02-03**

(52) **U.S. Cl.**
USPC **D2/891**

(58) **Field of Classification Search**
USPC D2/865, 866, 869, 871, 872, 874, 875,
D2/876, 877, 881, 882, 884, 890, 891, 892,
D2/893, 867, 886, 888, 889
CPC A42B 3/04; A42B 3/10; A42B 1/08;
A42B 1/002; A42B 1/069; A42B 1/00;
A42B 1/04; A42C 5/02
See application file for complete search history.

(56) **References Cited**

U.S. PATENT DOCUMENTS

417,365 A	12/1889	Parker	
1,392,409 A	10/1921	Fullenwider	
1,434,201 A	10/1922	Chetham	
1,493,194 A	5/1924	Ellis	
1,501,507 A *	7/1924	Wetherbee A42B 1/002 2/195.5
2,505,403 A	4/1950	Jacobi	
2,740,567 A	4/1956	Kaufman	

(Continued)

Primary Examiner — Karen E. Eldridge Powers

Assistant Examiner — Kimberly Barnes

(74) *Attorney, Agent, or Firm* — Polsinelli PC

(57) **CLAIM**

The ornamental design for a carrier for a hat, as shown and described.

DESCRIPTION

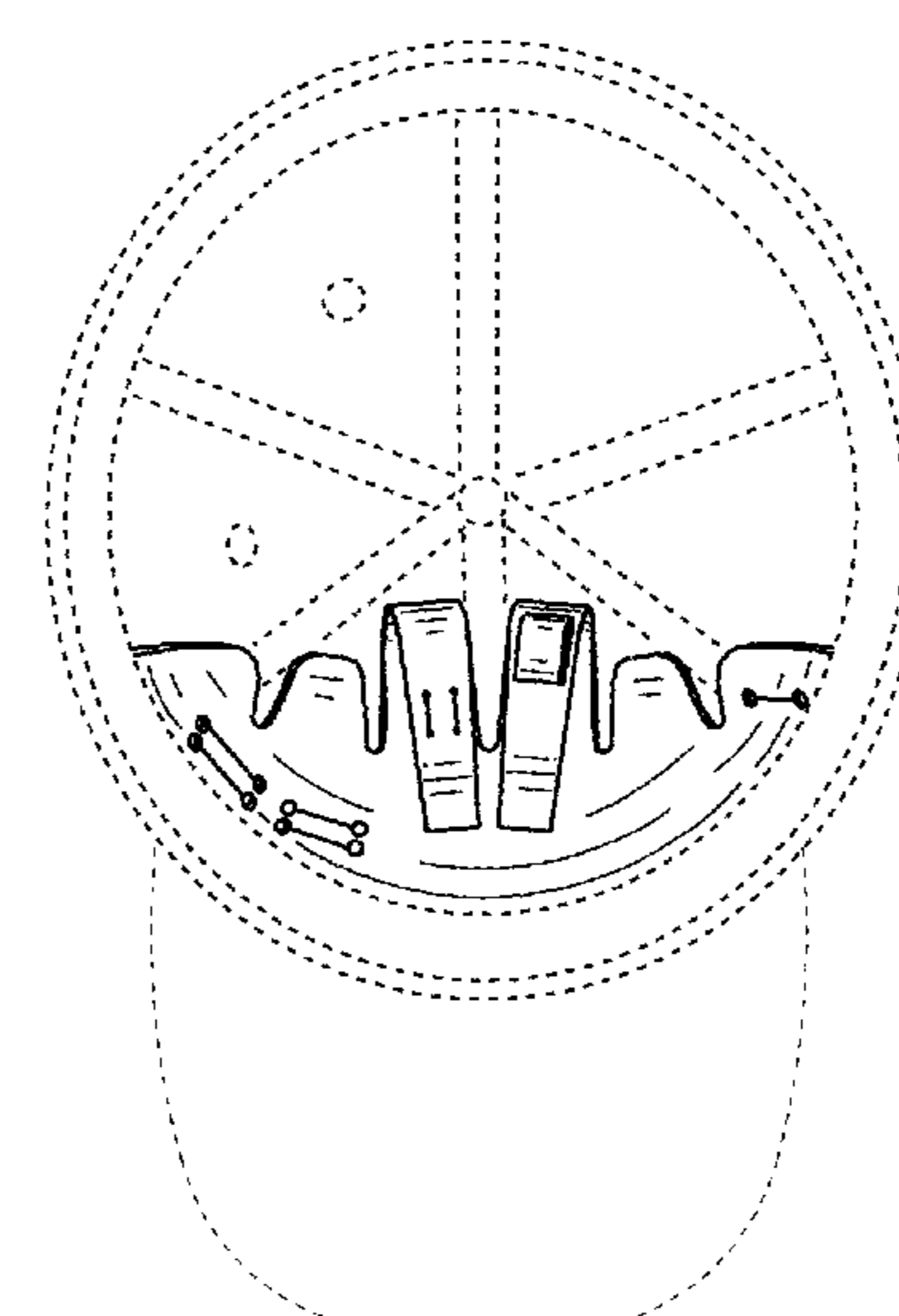
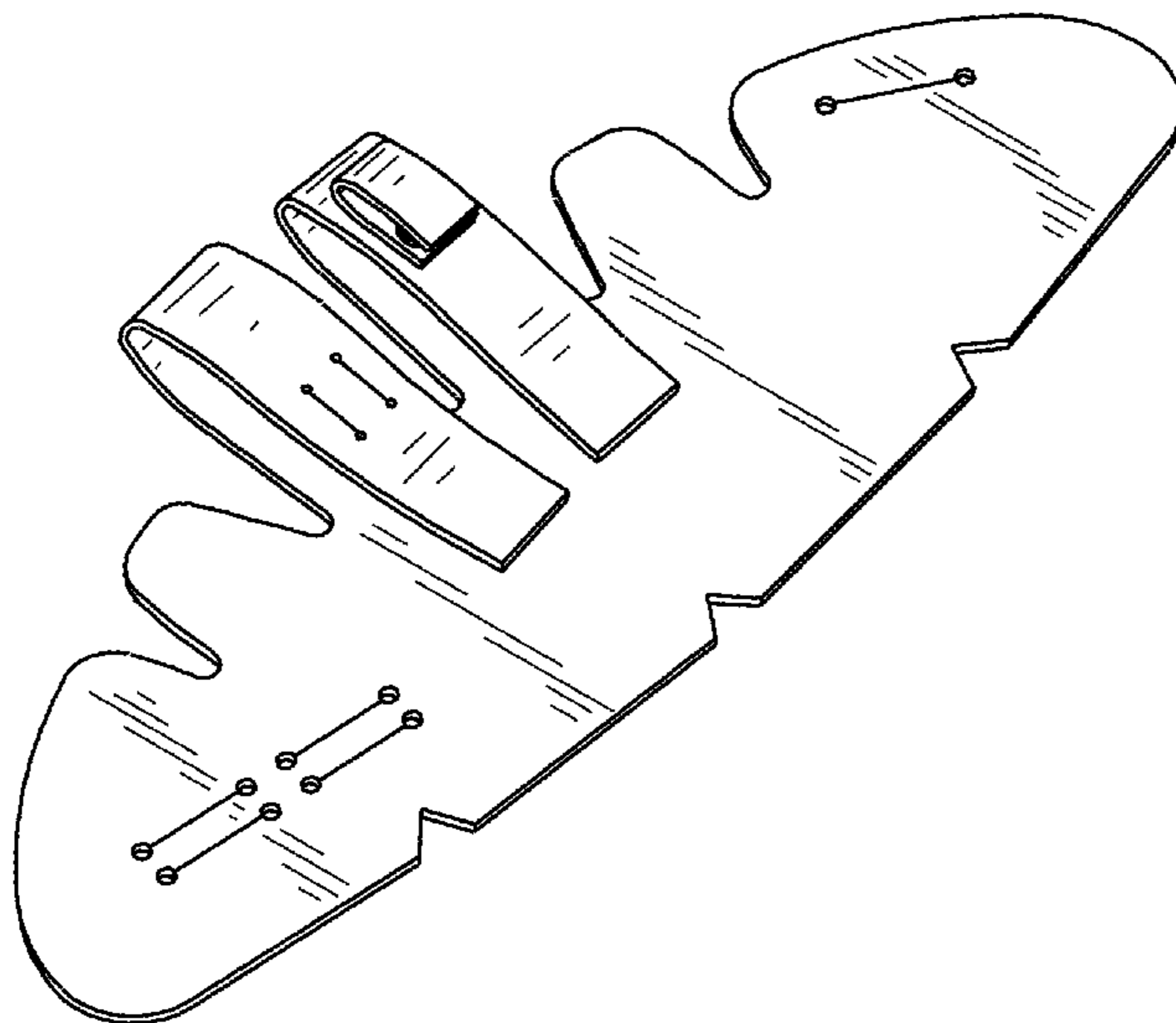
FIG. 1 is a perspective view of the carrier for a hat;
FIG. 2 is a top plan view of the carrier for a hat;
FIG. 3 is a bottom plan view of the carrier for a hat;
FIG. 4 is a left side elevation view of the carrier for a hat;
FIG. 5 is a right side elevation view of the carrier for a hat;
FIG. 6 is a front elevation view of the carrier for a hat;
FIG. 7 is a rear elevation view of the carrier for a hat;
FIG. 8 is a top plan view of the carrier for a hat as it would appear in a position of use;
FIG. 9 is a top plan view of the carrier for a hat as it would appear in a position of use with the carrier holding various items;

FIG. 10 is a perspective view of the second embodiment of the carrier for a hat;
FIG. 11 is a top plan view of the second embodiment of the carrier for a hat;
FIG. 12 is a bottom plan view of the second embodiment of the carrier for a hat;
FIG. 13 is a left side elevation view of the second embodiment of the carrier for a hat;
FIG. 14 is a right side elevation view of the second embodiment of the carrier for a hat;
FIG. 15 is a front elevation view of the second embodiment of the carrier for a hat; and,
FIG. 16 is a rear elevation view of the second embodiment of the carrier for a hat.

In FIGS. 10, 11, 13 and 14 the carrier is shown with a symbolic break in the length of the two clips. The appearance of any portion of the article between the break lines form no part of the claimed design.

The broken lines in the figures illustrate environmental subject matter and portions of the carrier for a hat, all of which form no part of the claimed design.

1 Claim, 7 Drawing Sheets



(56)

References Cited

U.S. PATENT DOCUMENTS

D178,711 S *	9/1956	Wells	D16/330	7,958,570 B1	6/2011	Mooney	
2,762,050 A *	9/1956	Bricker	G02C 7/16	7,966,673 B1 *	6/2011	Gibson A42B 1/08
				2/13				2/410
5,088,126 A *	2/1992	Mathis	A42B 3/10	7,974,432 B1	7/2011	Ryan	
				2/181	D660,555 S *	5/2012	Stoltz D2/892
5,481,760 A	1/1996	Wood, Jr.			D662,261 S *	6/2012	Klotz D29/109
5,647,064 A	7/1997	Whittaker			8,205,272 B2	6/2012	Green et al.	
5,704,070 A	1/1998	Stogner			8,458,820 B2	6/2013	Cleva	
5,724,678 A	3/1998	McCallum et al.			D689,671 S	9/2013	Porti et al.	
D403,492 S *	1/1999	Tseng	D2/865	D696,498 S	12/2013	Padgett et al.	
5,884,335 A	3/1999	Whittaker			8,904,567 B2 *	12/2014	Johnson A42C 5/02
D419,282 S	1/2000	Nickle et al.						2/181.4
6,023,788 A	2/2000	McCallum et al.			2012/0036613 A1 *	2/2012	Calon A42C 5/02
D450,746 S *	11/2001	Johnson	D16/340				2/171
D621,099 S *	8/2010	Johnson	D29/122	2013/0205470 A1	8/2013	Johnson et al.	
D637,356 S *	5/2011	Green	D29/122	2015/0190315 A1 *	7/2015	Montano A61K 8/26
D640,422 S *	6/2011	Green	D29/122				604/304
					2015/0335085 A1 *	11/2015	Williams A42B 1/002
								2/195.5

* cited by examiner

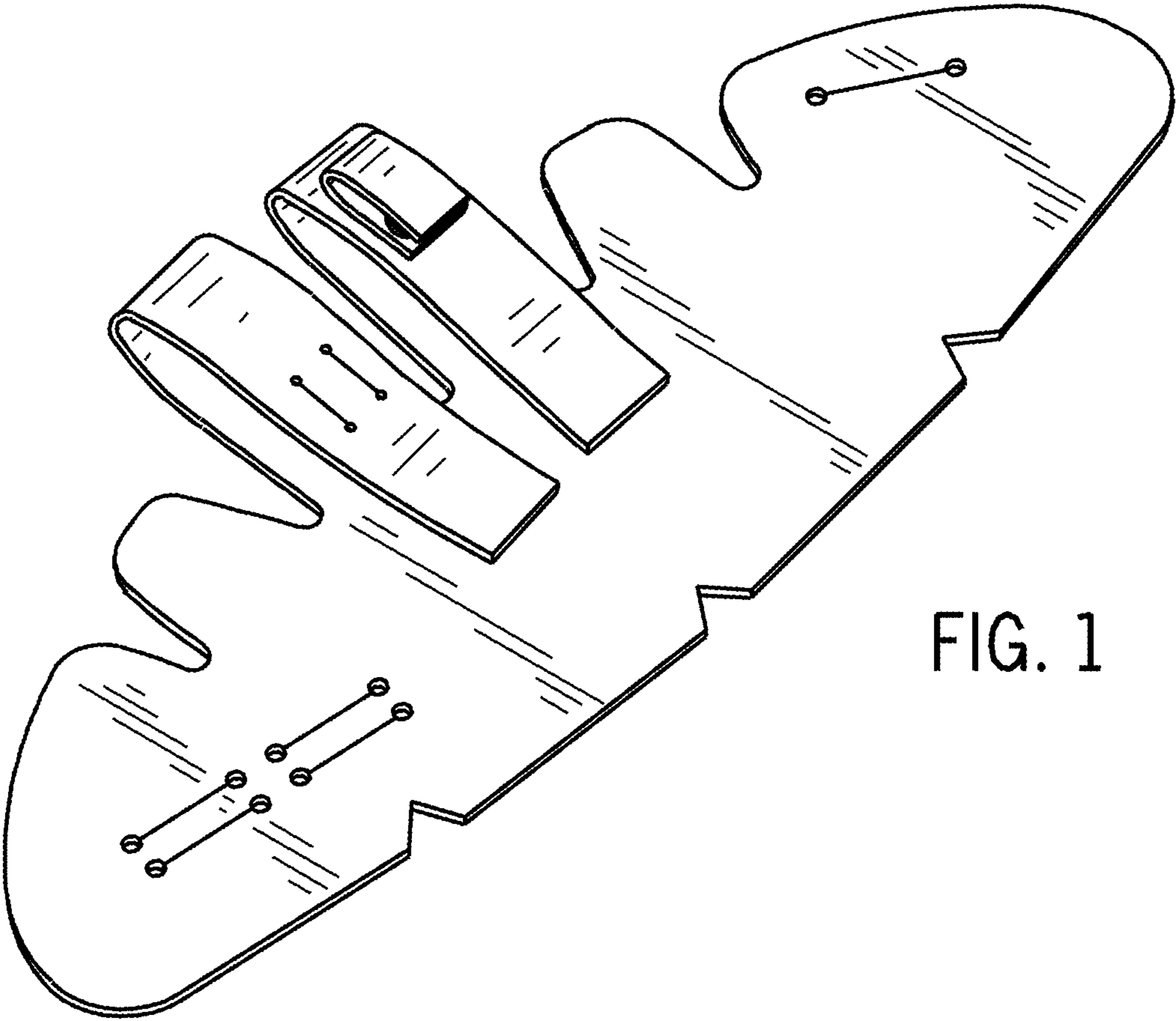


FIG. 1

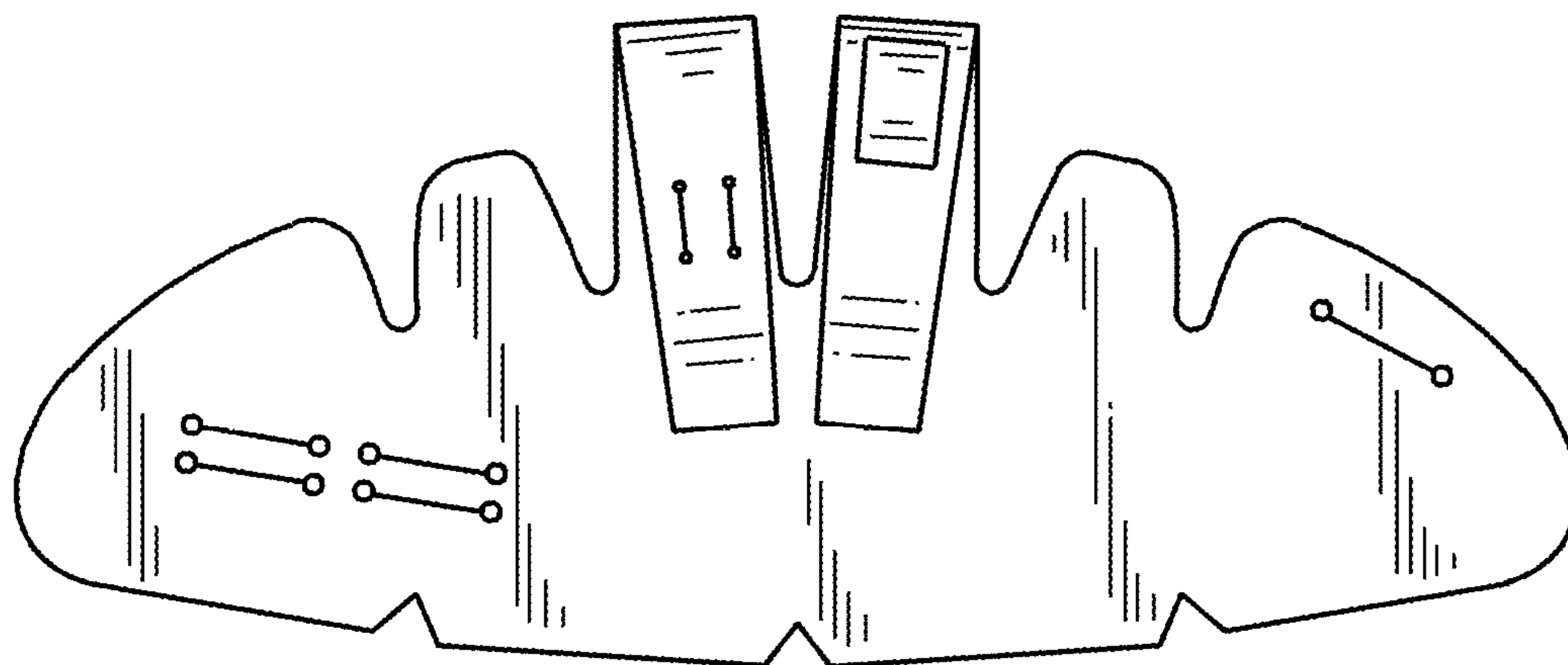


FIG. 2

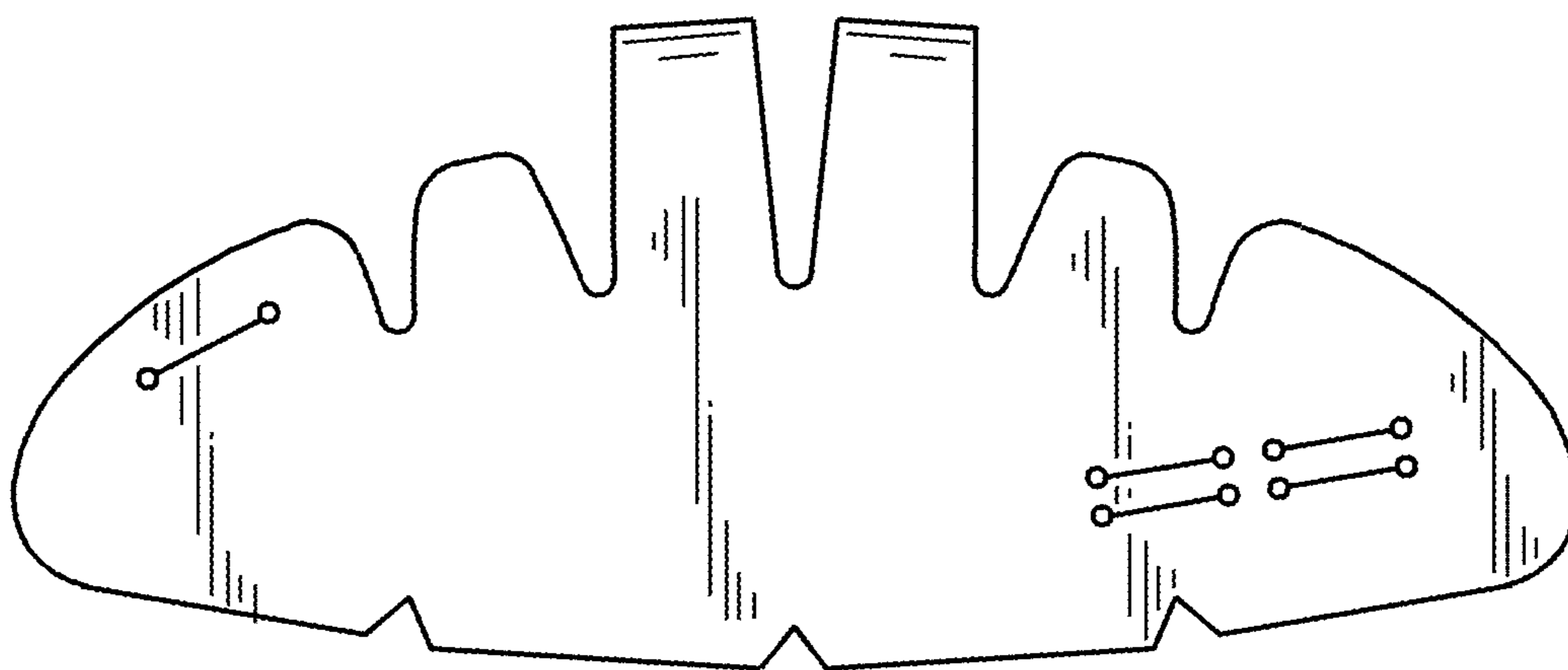


FIG. 3



FIG. 4



FIG. 5



FIG. 6



FIG. 7

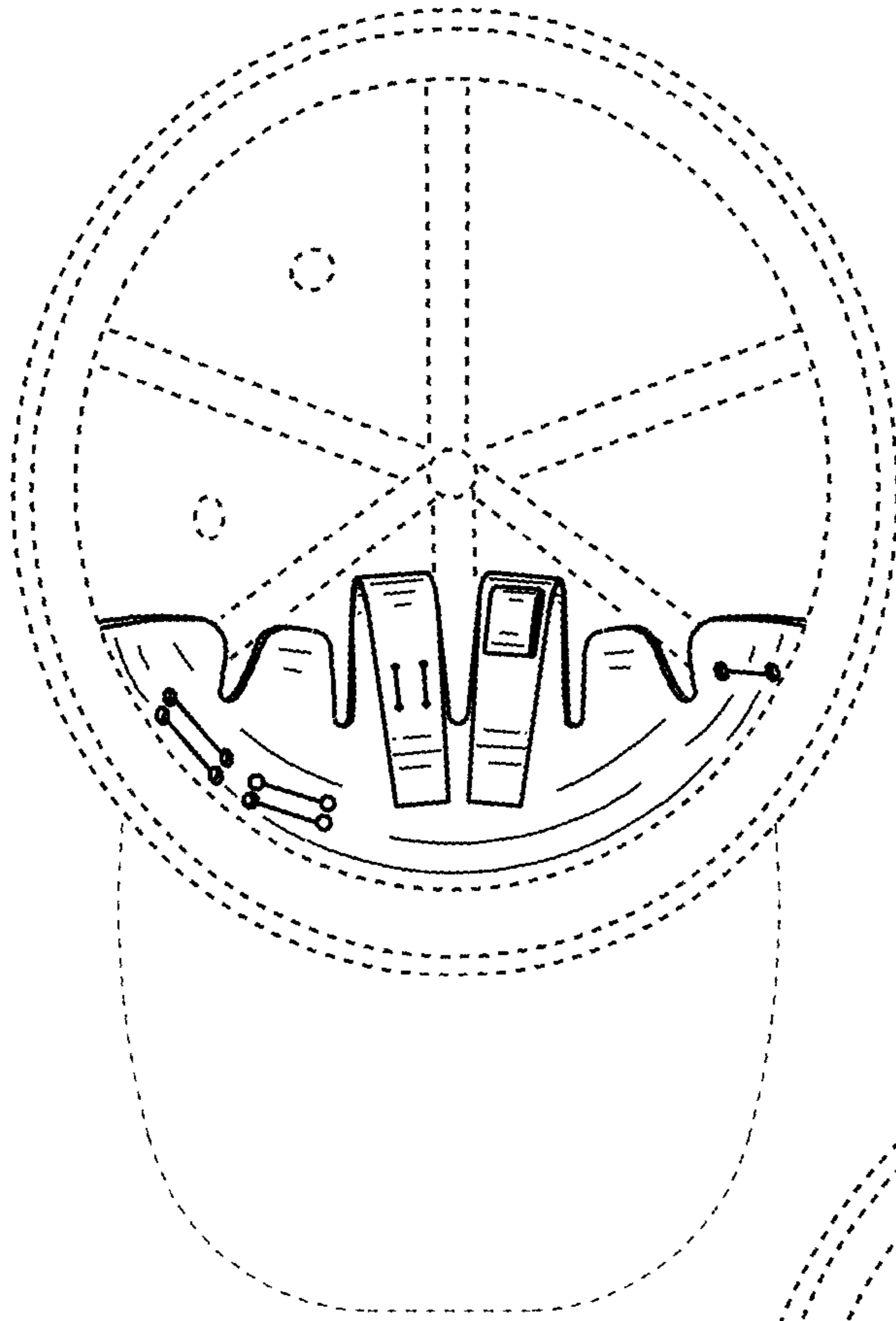


FIG. 8

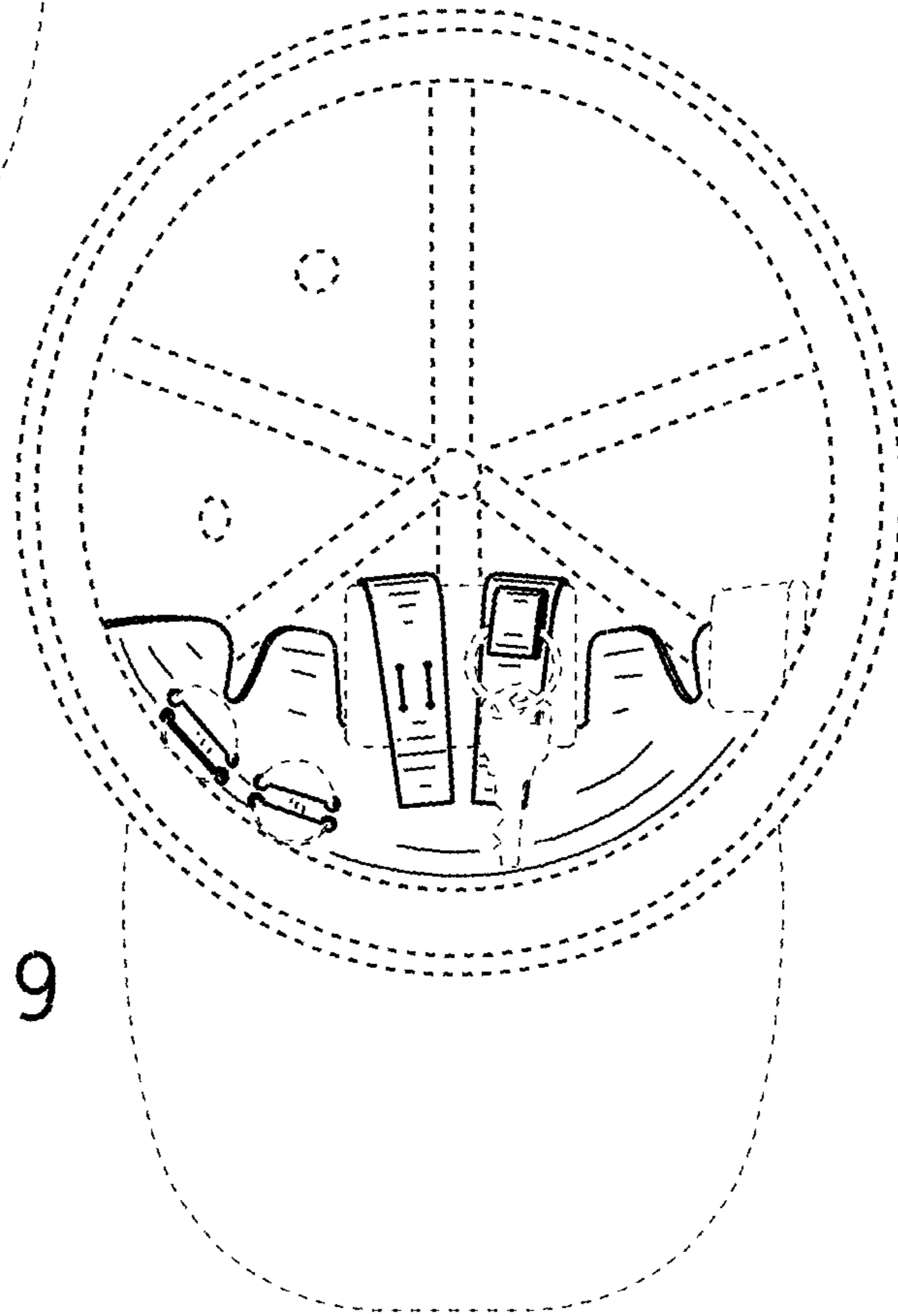


FIG. 9

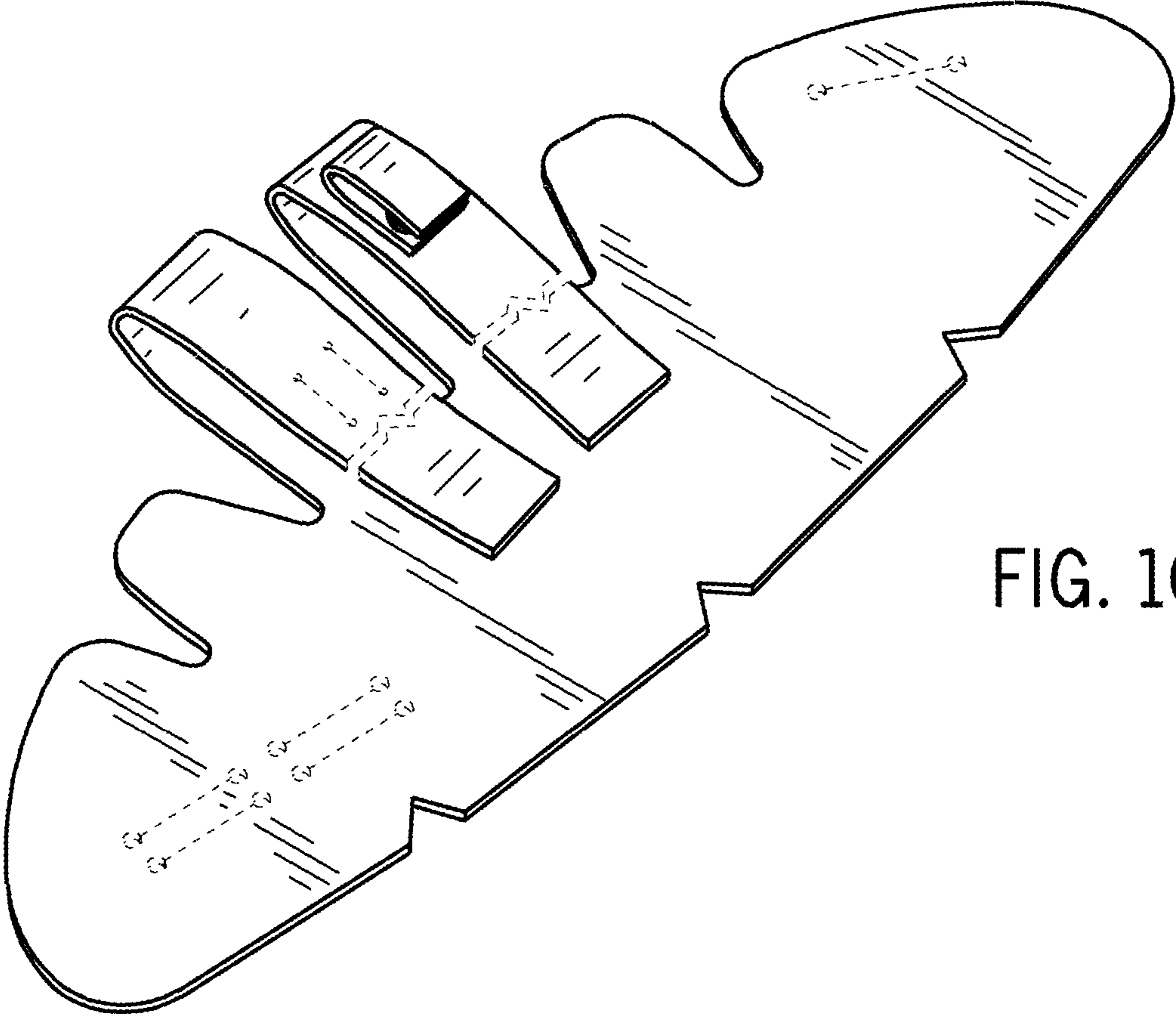


FIG. 10

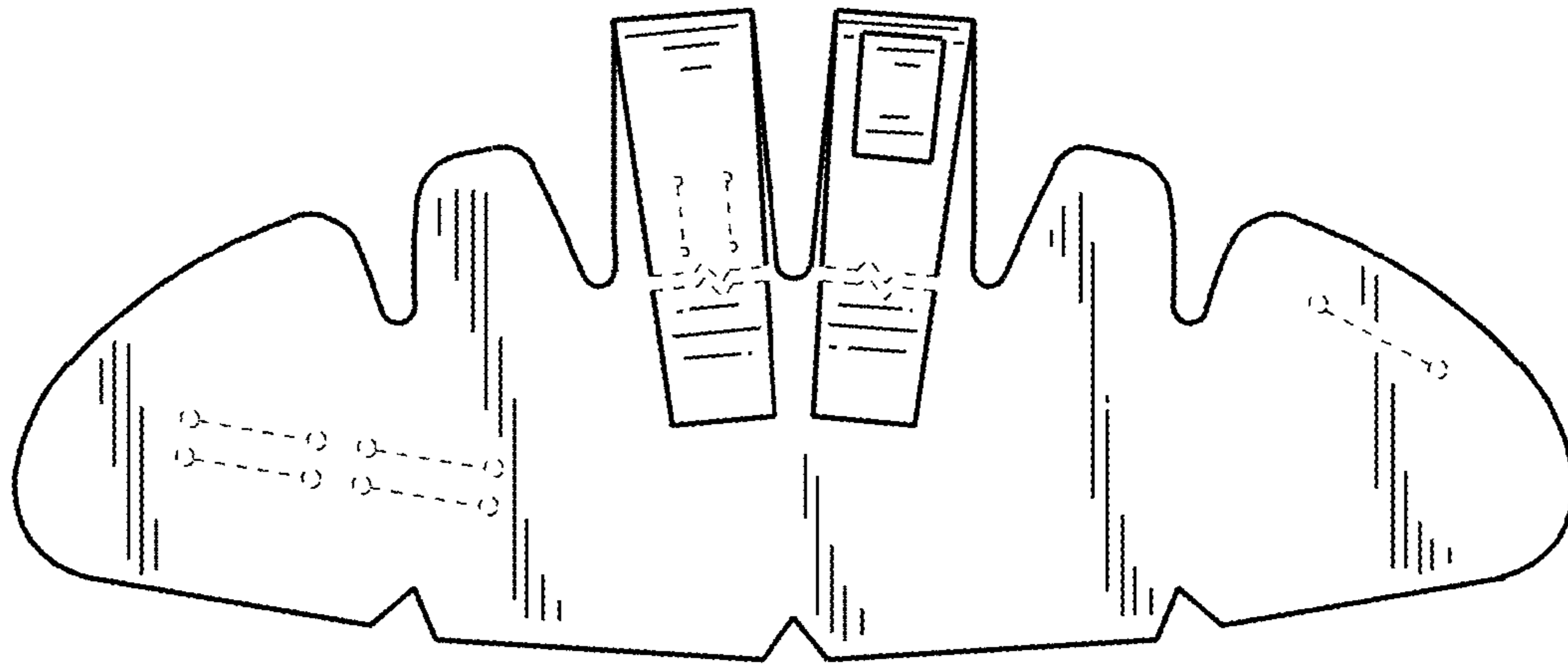


FIG. 11

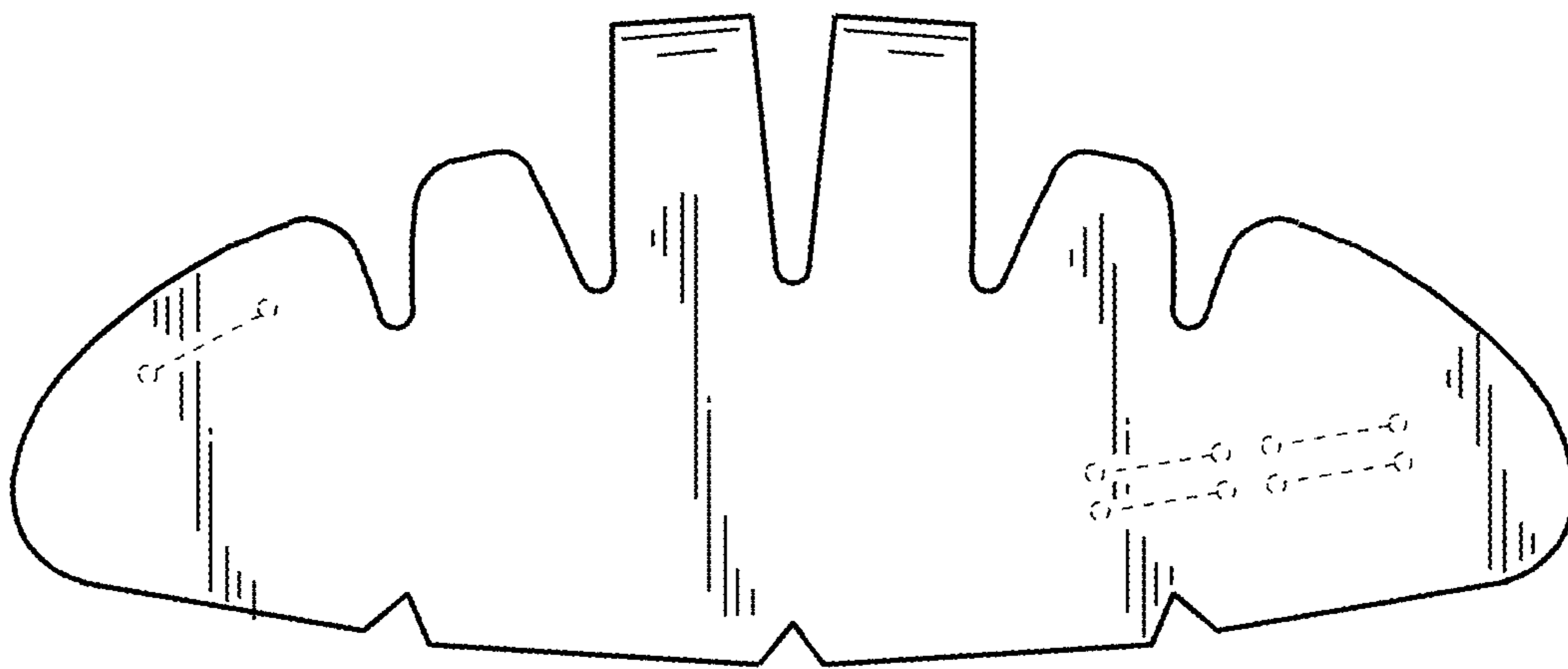


FIG. 12

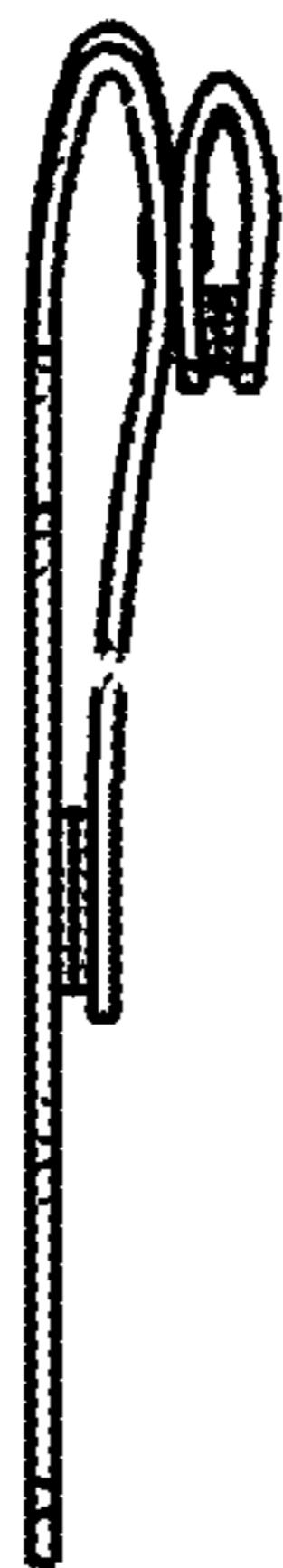


FIG. 13



FIG. 14



FIG. 15



FIG. 16