



US00D770138S

(12) **United States Design Patent** (10) **Patent No.:** **US D770,138 S**
Borovicka (45) **Date of Patent:** **** Nov. 1, 2016**

(54) **GARMENT**

(71) Applicant: **NIKE, Inc.**, Beaverton, OR (US)
(72) Inventor: **Vanessa L. Borovicka**, Lake Oswego, OR (US)

(73) Assignee: **NIKE, Inc.**, Beaverton, OR (US)

(**) Term: **15 Years**

(21) Appl. No.: **29/541,962**

(22) Filed: **Oct. 9, 2015**

(51) **LOC (10) Cl.** **02-02**

(52) **U.S. Cl.**
USPC **D2/828**

(58) **Field of Classification Search**
USPC D2/828, 829, 839; 2/2.5, 102, 69;
601/119; D21/829, 805
CPC B63C 9/087; A63B 71/10; A63B 21/065;
A41D 13/0153; A41D 13/002
See application file for complete search history.

(56) **References Cited**

U.S. PATENT DOCUMENTS

339,920 A	4/1886	Patjme	
1,657,866 A	1/1928	Mooney	
D113,203 S	1/1939	Feigenbaum	
D113,204 S	1/1939	Zucker et al.	
D115,592 S	7/1939	Shapiro et al.	
D118,524 S	1/1940	Zelinka	
D139,535 S	11/1944	Bauer	
D157,696 S	3/1950	Paque	
2,669,721 A	2/1954	Koch	
D194,967 S	4/1963	Bauer	
3,116,489 A	1/1964	Weiss	
3,398,406 A *	8/1968	Waterbury B63C 9/087 2/2.5
3,883,914 A	5/1975	Blair	
3,988,780 A	11/1976	Armellino	
4,084,264 A	4/1978	Marion	
4,149,272 A	4/1979	Maeshima	
D255,056 S	5/1980	Parsons	

(Continued)

FOREIGN PATENT DOCUMENTS

CN 302003508 * 7/2012
CN 303052922 * 12/2014

(Continued)

OTHER PUBLICATIONS

Official Nike Tech Fleece Thread**—See FAQ on First Page, Announced Oct. 23, 2014 [Site Visited Jun. 22, 2016]http://niketalk.com/t/586410/official-nike-tech-fleece-thread-see-faq-on-first-page/4530.*

(Continued)

Primary Examiner — John Windmuller
Assistant Examiner — Luqman McNeil
(74) *Attorney, Agent, or Firm* — Banner & Witcoff, Ltd.

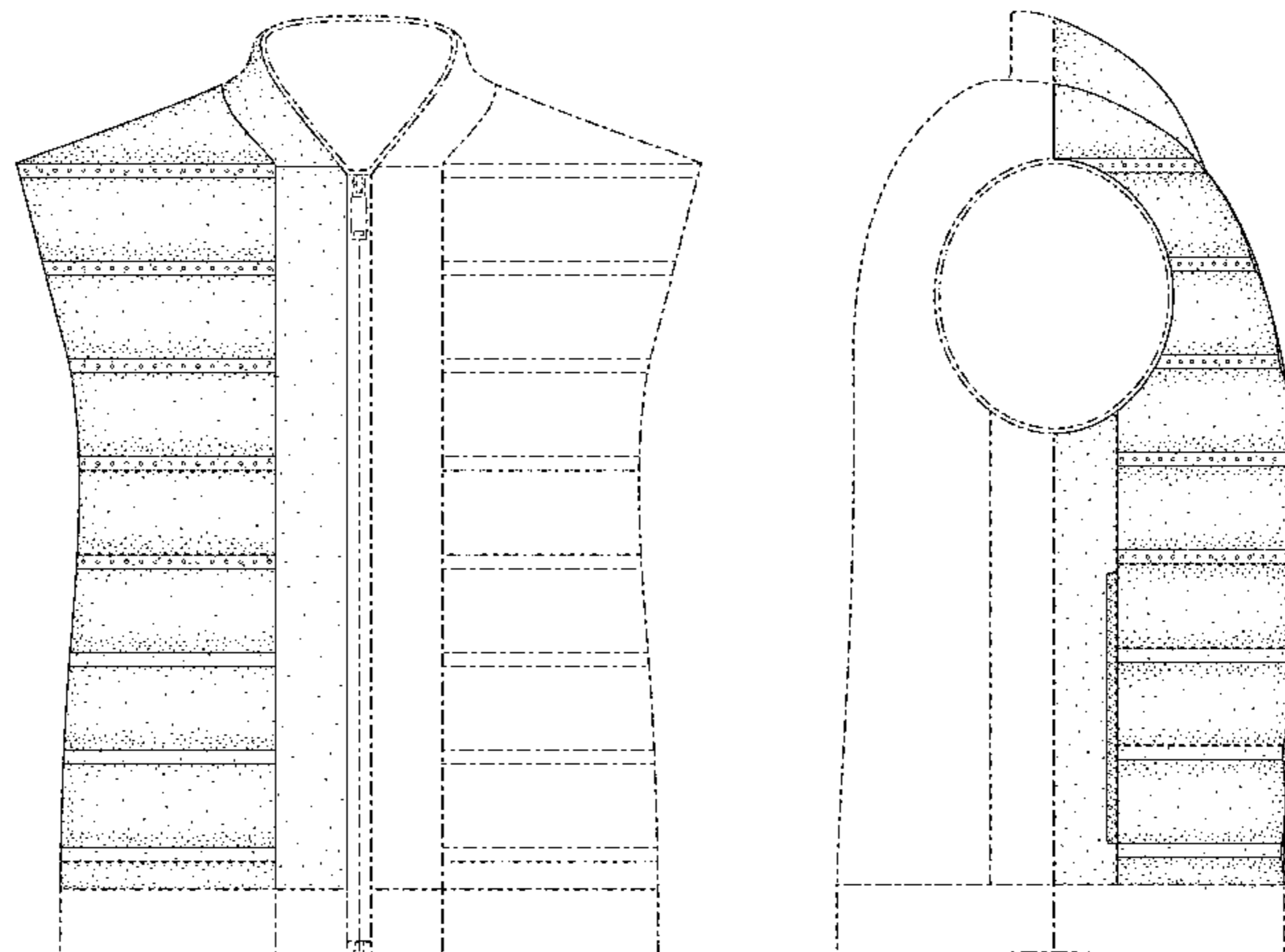
(57) **CLAIM**

The ornamental design for a garment, as shown and described.

DESCRIPTION

FIG. 1 is a front perspective view of a garment showing my new design in an in-use configuration; FIG. 2 is a front view thereof; FIG. 3 is a rear view thereof; FIG. 4 is a side view thereof; FIG. 5 is a second side view thereof; FIG. 6 is a top view thereof; and, FIG. 7 is a bottom view thereof. The broken lines immediately adjacent to the shaded area represent unclaimed boundaries of the design. The unshaded regions, demarcated by broken lines, represent unclaimed portions of the garment and form no part of the claimed design. The broken lines showing the remainder of the garment are for environmental purposes only and form no part of the claimed design. The contrast shading represents a contrast in appearance only and does not represent any particular color, material, texture or finish.

1 Claim, 7 Drawing Sheets



(56)

References Cited

U.S. PATENT DOCUMENTS

4,322,858 A * 4/1982 Douglas A63B 71/10
2/2.5
4,602,387 A 7/1986 Zakrzewski
4,619,622 A 10/1986 McDonald et al.
D298,474 S 11/1988 Twede
D309,665 S * 8/1990 Moseley D2/829
D330,106 S * 10/1992 Aubuchon D2/828
5,465,424 A 11/1995 Cudney et al.
D367,551 S 3/1996 Chalbeck et al.
D374,329 S 10/1996 Wilde
D385,088 S 10/1997 Handysides
D402,788 S * 12/1998 Blankenship, Jr. D2/829
D414,913 S 10/1999 Katz et al.
D478,708 S 8/2003 Miros et al.
D479,902 S 9/2003 Brown
6,654,963 B2 12/2003 Fayle et al.
D508,601 S * 8/2005 Hoyt D2/839
D516,777 S 3/2006 Beck
D541,010 S 4/2007 Boucher
D580,632 S 11/2008 Adams et al.
D588,783 S 3/2009 Olstorn
D618,440 S 6/2010 Parker
D620,231 S 7/2010 Parker
D621,132 S 8/2010 Crisp
D622,032 S 8/2010 Lambertz
D622,033 S 8/2010 Lambertz
D622,034 S 8/2010 Lambertz
D622,035 S 8/2010 Lambertz
D625,078 S 10/2010 Scott-Curran
D626,725 S 11/2010 Snyder et al.
D631,230 S 1/2011 Ruffini
D633,690 S 3/2011 Tronvold
D633,691 S 3/2011 Tronvold
D636,973 S 5/2011 Smith et al.
D637,794 S 5/2011 Gosse
D638,200 S 5/2011 Gorson
D638,201 S 5/2011 Gosse
D638,202 S 5/2011 Gosse
D639,023 S 6/2011 Iamartino et al.
D641,137 S 7/2011 Evans et al.
D642,770 S 8/2011 Bengyak
D643,577 S 8/2011 Bulan et al.
D653,430 S 2/2012 Pouches
D654,659 S 2/2012 Scott-Curran
D654,664 S 2/2012 Evans et al.
D656,301 S 3/2012 Randall
D662,282 S 6/2012 Meunier-Bouchard
D662,285 S 6/2012 Rushworth
D675,400 S 2/2013 Mertes
D679,072 S 4/2013 Abbevik et al.
D685,158 S 7/2013 Lambertz
D685,159 S 7/2013 Lambertz
D685,160 S 7/2013 Savage
D687,619 S 8/2013 Savage
D689,262 S 9/2013 Passman
D689,263 S 9/2013 Passman
D692,082 S * 10/2013 Lee D21/805
D693,095 S 11/2013 Grant
D695,491 S 12/2013 Hawkins et al.
D698,123 S 1/2014 Yu et al.
D698,525 S 2/2014 Roberts et al.
D698,526 S 2/2014 Roberts et al.
D698,528 S * 2/2014 Roberts D2/839
D702,419 S 4/2014 Mertes
D702,920 S 4/2014 Chaney
D703,922 S * 5/2014 Roberts D2/829
D704,418 S 5/2014 Holmes
D704,419 S 5/2014 Holmes
D704,924 S 5/2014 Roberts et al.
D707,423 S * 6/2014 Pezzimenti D2/829
D707,424 S * 6/2014 Pezzimenti D2/829
D710,573 S * 8/2014 Pezzimenti D2/829
D713,128 S * 9/2014 Pezzimenti D2/828
D713,620 S * 9/2014 Pezzimenti D2/828
D713,621 S * 9/2014 Pezzimenti D2/828

D714,022 S * 9/2014 Mong D2/828
D714,526 S 10/2014 Ingram
D714,527 S 10/2014 Borovicka
D716,022 S 10/2014 Judge et al.
D719,722 S 12/2014 Bublak
D734,922 S * 7/2015 Docker D2/829
D736,497 S 8/2015 Harris
D746,548 S 1/2016 Ingram
D746,551 S 1/2016 Ingram
D755,478 S * 5/2016 Grosbol D2/828
2004/0153012 A1 * 8/2004 Schroeder A61H 7/001
601/19
2013/0276201 A1 * 10/2013 Pezzimenti A41D 13/002
2/69

FOREIGN PATENT DOCUMENTS

GB 000796879 A 6/1958
NO 020090182-0010 * 11/2009
WO 0011979 A1 3/2000

OTHER PUBLICATIONS

Nike Golf Introduces New Aeroloft Jackets, Announced Sep. 16, 2015 [Site Visited Jun. 22, 2016] <http://ngnation.com/2015/09/15/nike-golf-introduces-aeroloft-jackets/>.
Nike Areoloft Poly Filled Vest, Announced Jul. 31, 2015 [Site Visited Jun. 22, 2016] <http://www.midlandsgolfonline.com/nike-golf/product/nike-aeroloft-poly-filled-vest/>.
Fashion Sense: The Bubble Vest Explosion, Announced Nov. 12, 2012 [Site Visited Jun. 22, 2016] <http://www.thekongblog.com/2012/11/fashion-sense-bubble-vest-explosion.html>.
Nike Apparel Catalog, 2010 Fall ACG, p. 15, published date unknown, but prior to the filing date of the present application, NIKE, Inc., USA.
Nike Apparel Catalog, 2010 Fall ACG, p. 16, published date unknown, but prior to the filing date of the present application, NIKE, Inc., USA.
Nike Apparel Catalog, 2010 Fall Apparel, p. 17, published 2010, NIKE, Inc., USA.
Nike Apparel Catalog, 2010 Fall Apparel, p. 20, published date unknown, but prior to the filing date of the present application, NIKE, Inc. USA.
Nike Apparel Catalog, 2010 Holiday Women's Athletic Department Classics, p. 9, published 2010, NIKE, Inc., USA.
Nike Apparel Catalog, 2010 Holiday Young Athletes, p. 47, published date unknown, but prior to the filing date of the present application, NIKE, Inc., USA.
Nike Apparel Catalog, 2010 Holiday Young Athletes, p. 62, published date unknown, but prior to the filing date of the present application, NIKE, Inc., USA.
Nike Apparel Catalog, 2011 Fall Boys' Apparel, p. 22, published 2011, NIKE, Inc., USA.
Nike Apparel Catalog, 2011 Fall Girls' Apparel, p. 8, published 2011, NIKE, Inc., USA.
Nike Apparel Catalog, 2011 Fall Men's Athletic Department Classics, p. 57, published 2011, NIKE, Inc., USA.
Nike Apparel Catalog, 2011 Holiday Boys, p. 25, published date unknown, but prior to the filing date of the present application, NIKE, Inc., USA.
Nike Apparel Catalog, 2011 Holiday Girls, p. 12, published date unknown, but prior to the filing date of the present application, NIKE, Inc., USA.
Nike Apparel Catalog, 2011 Holiday Men's Athletic Dept Classic, p. 1, published date unknown, but prior to the filing date of the present application, NIKE, Inc., USA.
Nike Apparel Catalog, 2011 Holiday Women's Performance, p. 51, published date unknown, but prior to the filing date of the present application, NIKE, Inc., USA.
London Cyclist, "Waterproof cycling jacket guide," <http://www.londoncyclist.co.uk/waterproof-cycling-jacket/>, retrieved from internet Jan. 22, 2016, published Oct. 21, 2010, pp. 3-4.

(56)

References Cited

OTHER PUBLICATIONS

Bike Lights Review, "Altura Night Vision Evo Jacket Review," <http://www.bikelightsreview.com/jackets/altura-night-vision-evo/>, retrieved from internet Jan. 22, 2016, published Sep. 11, 2011, p. 2.
The Greatcaster, "Columbia Sportswear TurboDown Insulation," <http://www.thegearcaster.com/2013/11/columbia-sportswear-turbo-down-insulation.html>, retrieved from internet Jan. 22, 2016, published Nov. 13, 2013, p. 2.

Blurgh the Thinkgeek Blog, "Top Ten List: Top 10 Fictional Uniforms We Want to Wear to Work," <http://www.thinkgeek.com/blog/2015/03/tldr-top-ten-list-top-10-ficti-2.html>, retrieved from internet Jan. 22, 2016, published date unknown, but prior to the filing date of the present application, pp. 1-4.

Nike Apparel Catalog, 2010 Fall ACG, p. 4, published date unknown, but prior to the filing date of the present application, NIKE, Inc., USA.

* cited by examiner

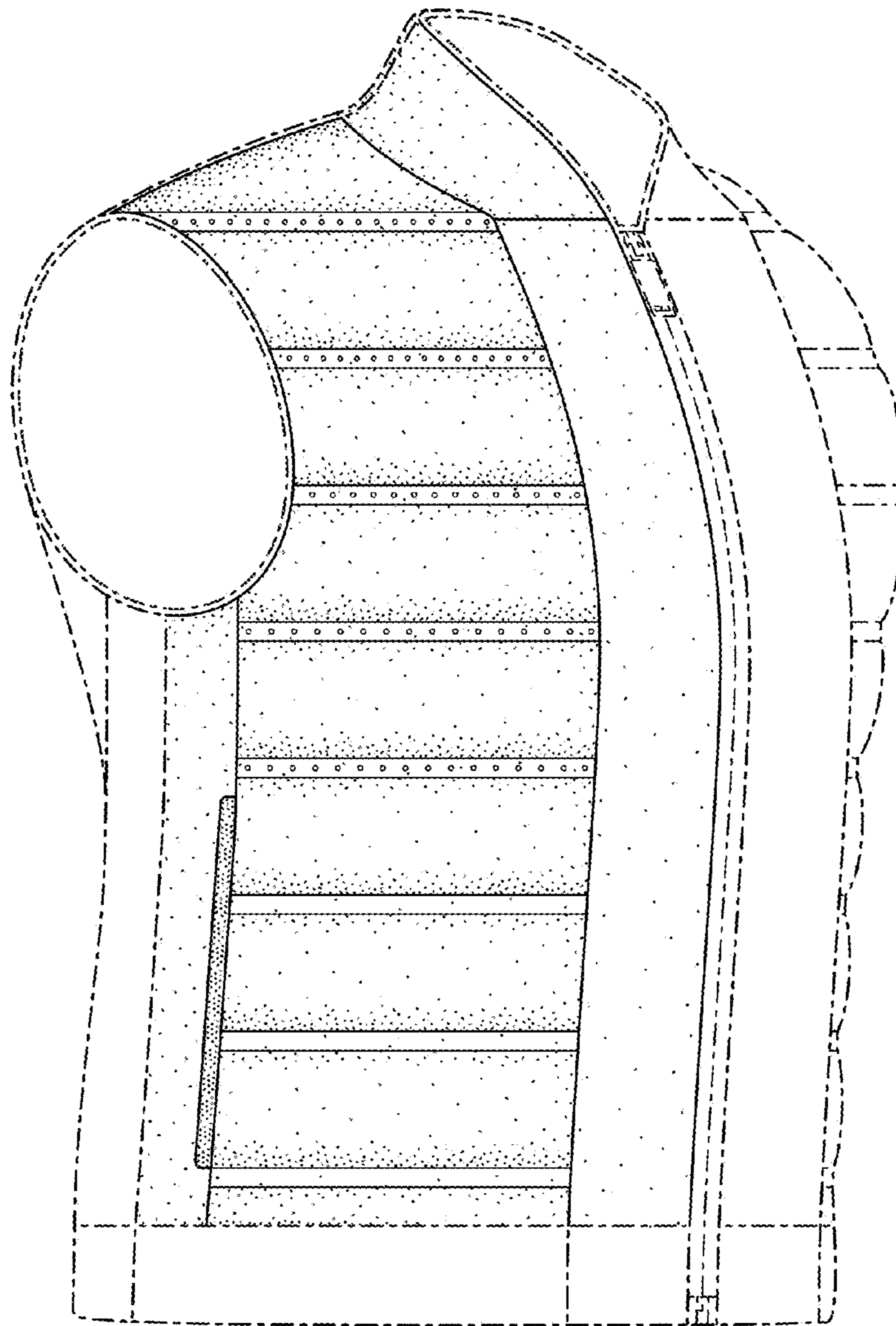


FIG. 1

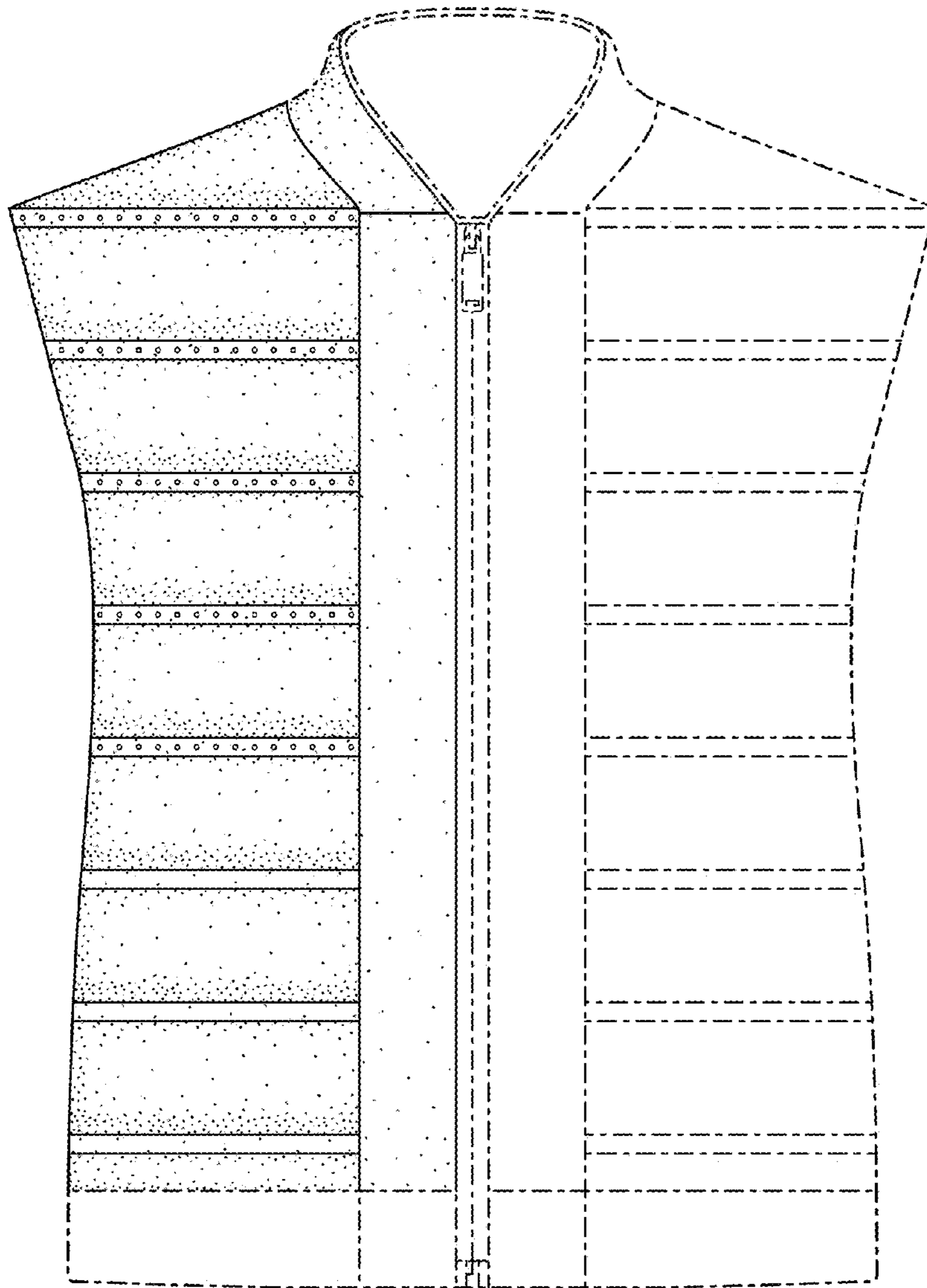


FIG. 2

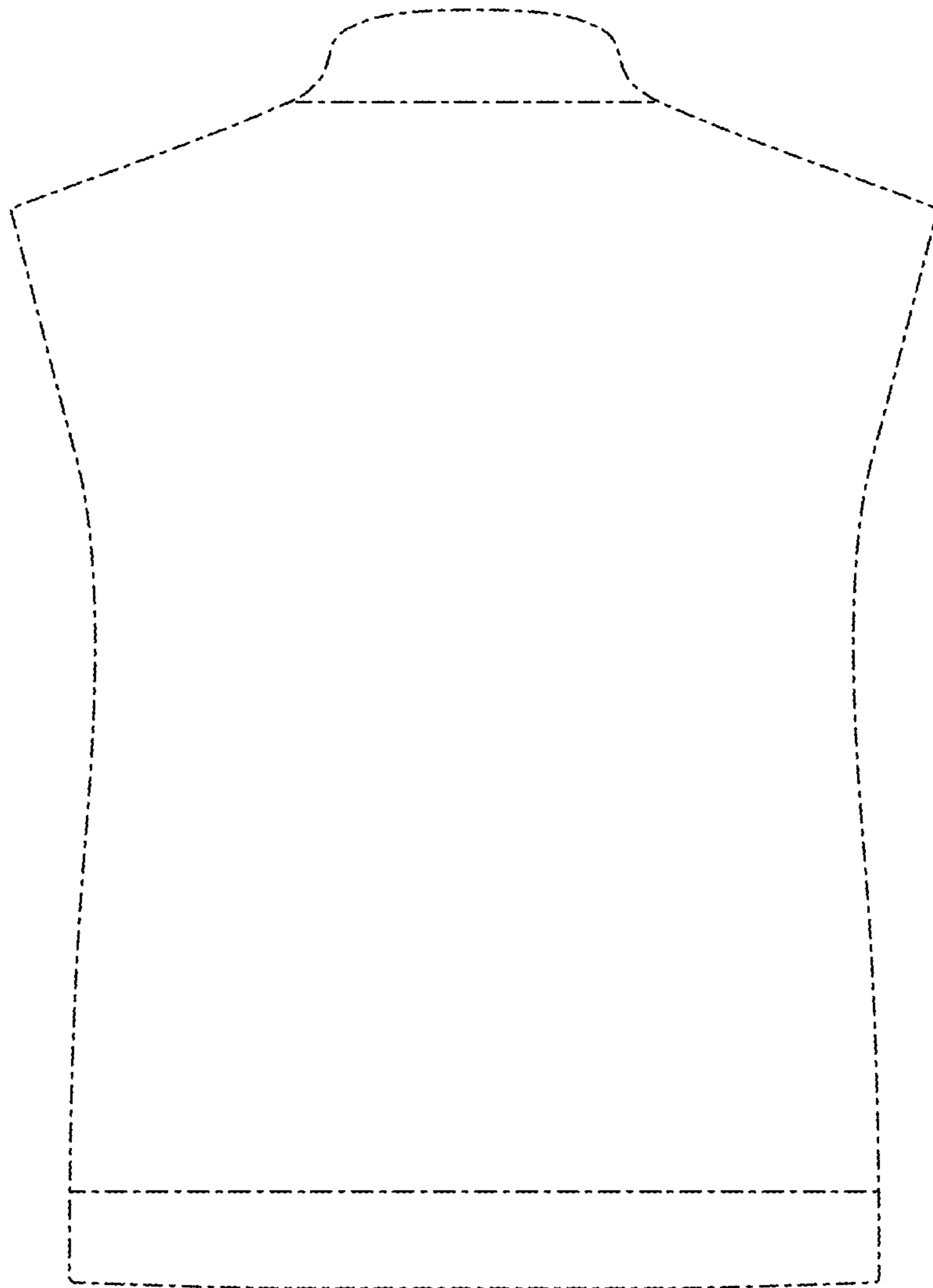


FIG. 3

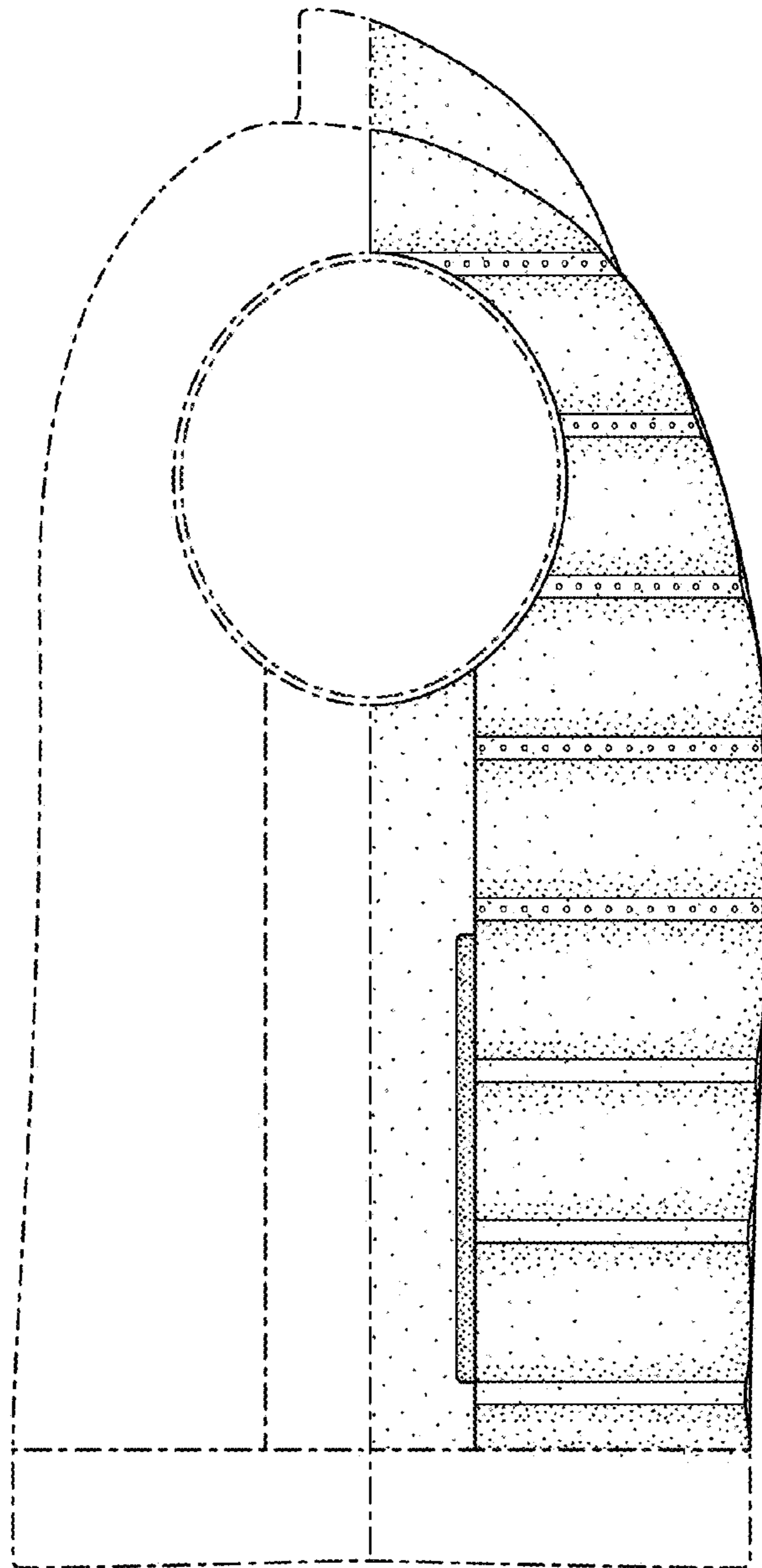


FIG. 4

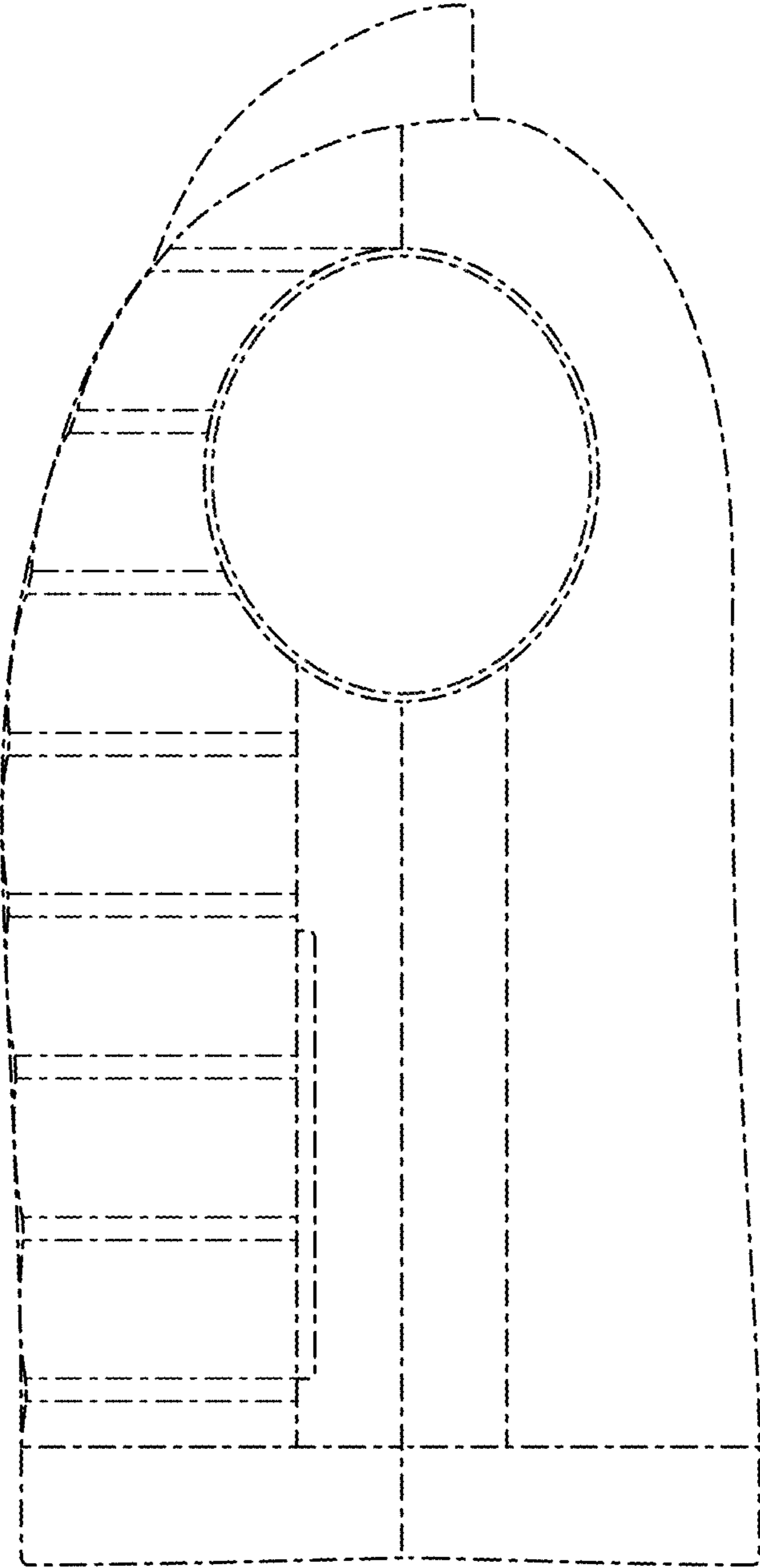


FIG. 5

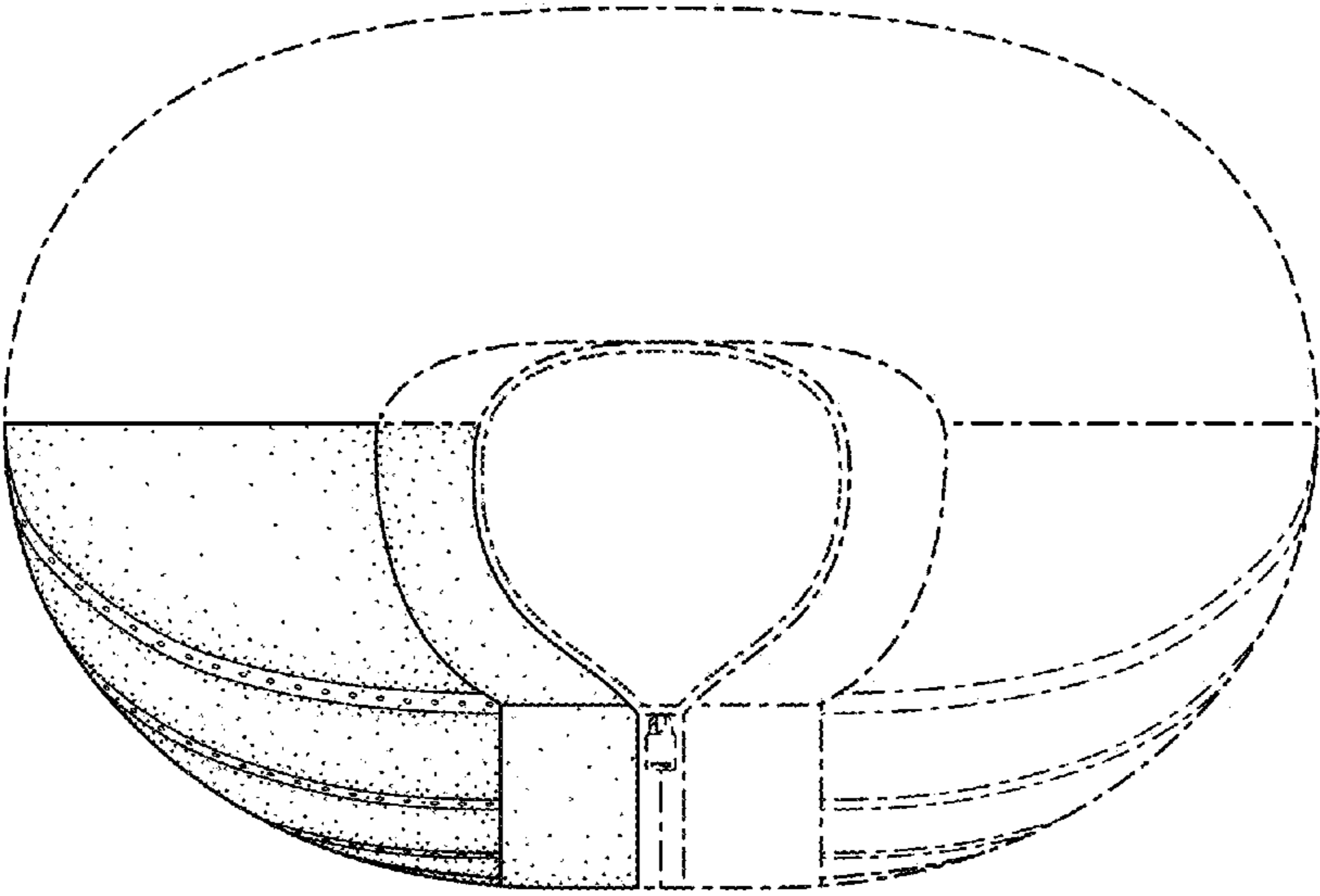


FIG. 6

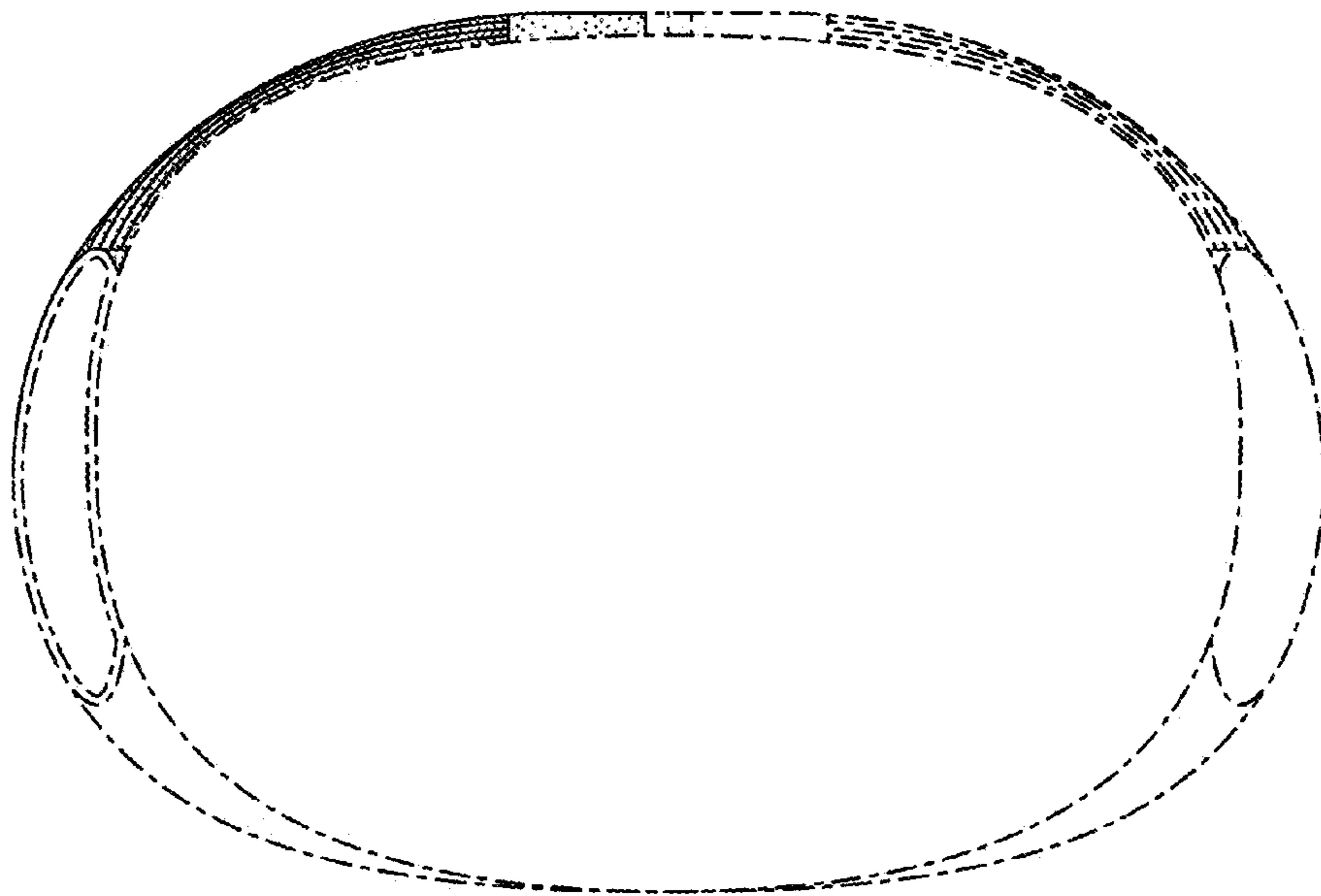


FIG. 7