



US00D770134S

(12) **United States Design Patent** (10) **Patent No.:** **US D770,134 S**
Luevano, III (45) **Date of Patent:** **** Nov. 1, 2016**

(54) **UNIFORM INCLUDING SAFETY HANDLES**
(71) Applicant: **Agapito Luevano, III**, Burleson, TX (US)
(72) Inventor: **Agapito Luevano, III**, Burleson, TX (US)
(**) Term: **14 Years**
(21) Appl. No.: **29/516,161**
(22) Filed: **Jan. 29, 2015**
(51) **LOC (10) Cl.** **02-02**
(52) **U.S. Cl.**
USPC **D2/743**
(58) **Field of Classification Search**
USPC D2/500, 501, 600, 602, 605, 609, 710, D2/715-717, 724, 725, 738, 749, 750, 753, D2/759, 760, 769, 771, 780, 786, 812, 828, D2/830, 836, 839-841, 853, 854, 857, D2/860-86, 891, 900, 901, 739-745; D5/63; D20/10, 19, 25, 29-33, 40, 99; D24/190-191; D29/101.2, 101.3, 107; 2/46, 49.1-49.5, 50, 52, 69, 79, 84, 91, 2/101, 103, 127, 131, 134, 145, 156, 207, 2/227, 228, 238, 247, 463, 468; 40/586; 223/68; 428/15
CPC A41D 13/00; A41D 13/02; A41D 13/04; A41D 13/10; A41D 13/0525; A41D 13/1209; A41D 13/1227; A41D 15/00; A41D 27/02; A41D 27/12; A41D 27/13; A41D 27/20; A41D 27/205; A41D 29/00; A41D 2400/52; A41D 2400/422; A41D 2400/424; A41D 3/00; A41D 3/005; A41D 3/02; A41D 3/06; A41D 13/007; A41D 13/001; A41D 13/0012; A41D 2600/20; A41D 2600/202; D06B 11/0096; D06M 10/005
See application file for complete search history.

3,997,921 A 12/1976 Knight
4,449,253 A 5/1984 Hettinger
4,890,336 A * 1/1990 Worton A41D 13/02 2/79
D310,286 S * 9/1990 Kushitani D2/743
D351,271 S * 10/1994 Fields D2/743
5,487,189 A * 1/1996 Bell A41D 13/02 2/114
5,509,142 A * 4/1996 Connell A41D 13/02 2/79
6,289,524 B1 * 9/2001 Wright A41D 13/015 2/455
D493,946 S * 8/2004 Jones D2/743
7,356,850 B2 4/2008 Turcotte et al.
D581,632 S * 12/2008 Thomas D2/743

(Continued)

OTHER PUBLICATIONS

Red Fort Workwear, posted at redfortworkwear.com, posting on Jun. 18, 2014, [online], [site visited Jan. 29, 2016]. Available from Internet, <URL: <http://redfortworkwear.com/>>.*

(Continued)

Primary Examiner — Manpreet Matharu
Assistant Examiner — Aula Soroush
(74) *Attorney, Agent, or Firm* — Christopher L. Makay

(57) **CLAIM**
The ornamental design for a uniform including safety handles, as shown and described.

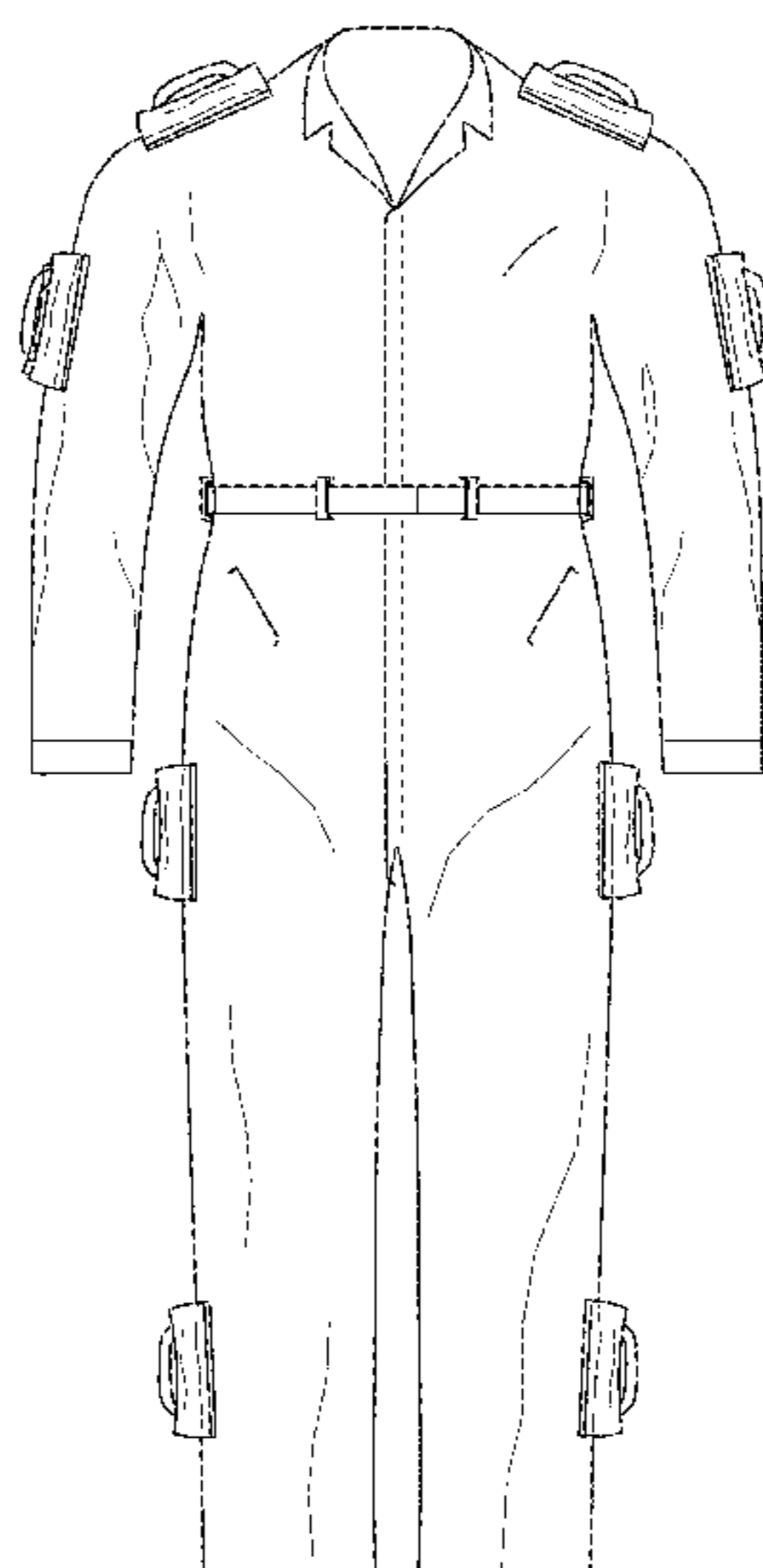
DESCRIPTION

FIG. 1 is a front view of the uniform including safety handles;
FIG. 2 is a back view thereof;
FIG. 3 is a right side view thereof;
FIG. 4 is a left side view thereof;
FIG. 5 is a top view thereof;
FIG. 6 is a bottom view thereof; and,
FIG. 7 is a perspective view thereof.

1 Claim, 5 Drawing Sheets

(56) **References Cited**
U.S. PATENT DOCUMENTS

2,380,423 A * 7/1945 Freedman A41D 13/02 2/79
3,015,106 A * 1/1962 Moer A41D 13/02 2/79



(56)

References Cited

U.S. PATENT DOCUMENTS

D588,337 S * 3/2009 Van Alstine D2/743
 7,571,494 B2 8/2009 Grilliot et al.
 7,596,815 B2 10/2009 Grilliot et al.
 7,707,660 B2 5/2010 Grilliot et al.
 7,971,273 B2 7/2011 Grilliot et al.
 8,015,619 B2 9/2011 McKay et al.
 D647,282 S * 10/2011 Gordon D2/743
 D676,628 S * 2/2013 Rogers D2/743
 D704,417 S * 5/2014 Gatto D2/728
 D712,627 S * 9/2014 Shonafelt D2/743
 2004/0250332 A1 12/2004 Tadin
 2008/0134407 A1* 6/2008 Winterhalter A41D 13/02
 2/79
 2010/0313324 A1* 12/2010 Park A41D 13/01
 2/79

2012/0131734 A1* 5/2012 Sindicich A41D 13/0012
 2/458
 2012/0210499 A1* 8/2012 Habash A41D 27/28
 2/456
 2015/0342272 A1* 12/2015 Bonime A41D 13/02
 2/230

OTHER PUBLICATIONS

Military Flight Coveralls, posted at amazon.com, posting on Nov. 16, 2013, [online], [site visited Jan. 29, 2016]. Available from Internet, <URL: http://www.amazon.com/Military-Flight-Coveralls-Paintball-Jumpsuit/product-reviews/B00ATOZSE0/ref=cm_cr_pr_btm_link_?ie=UTF8&showViewpoints=1&sortBy=recent&pageNumber=7>.*

* cited by examiner

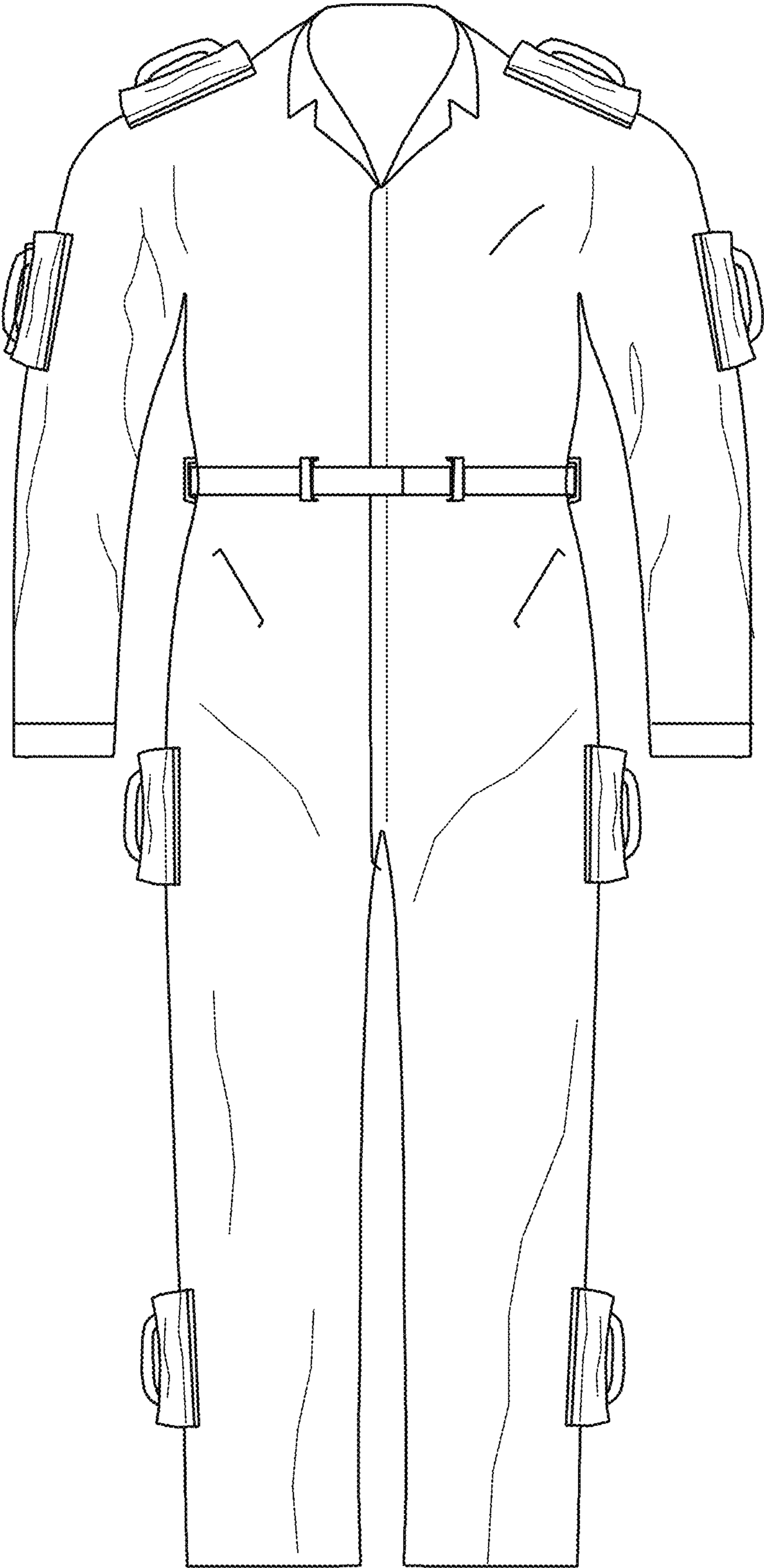


Fig. 1

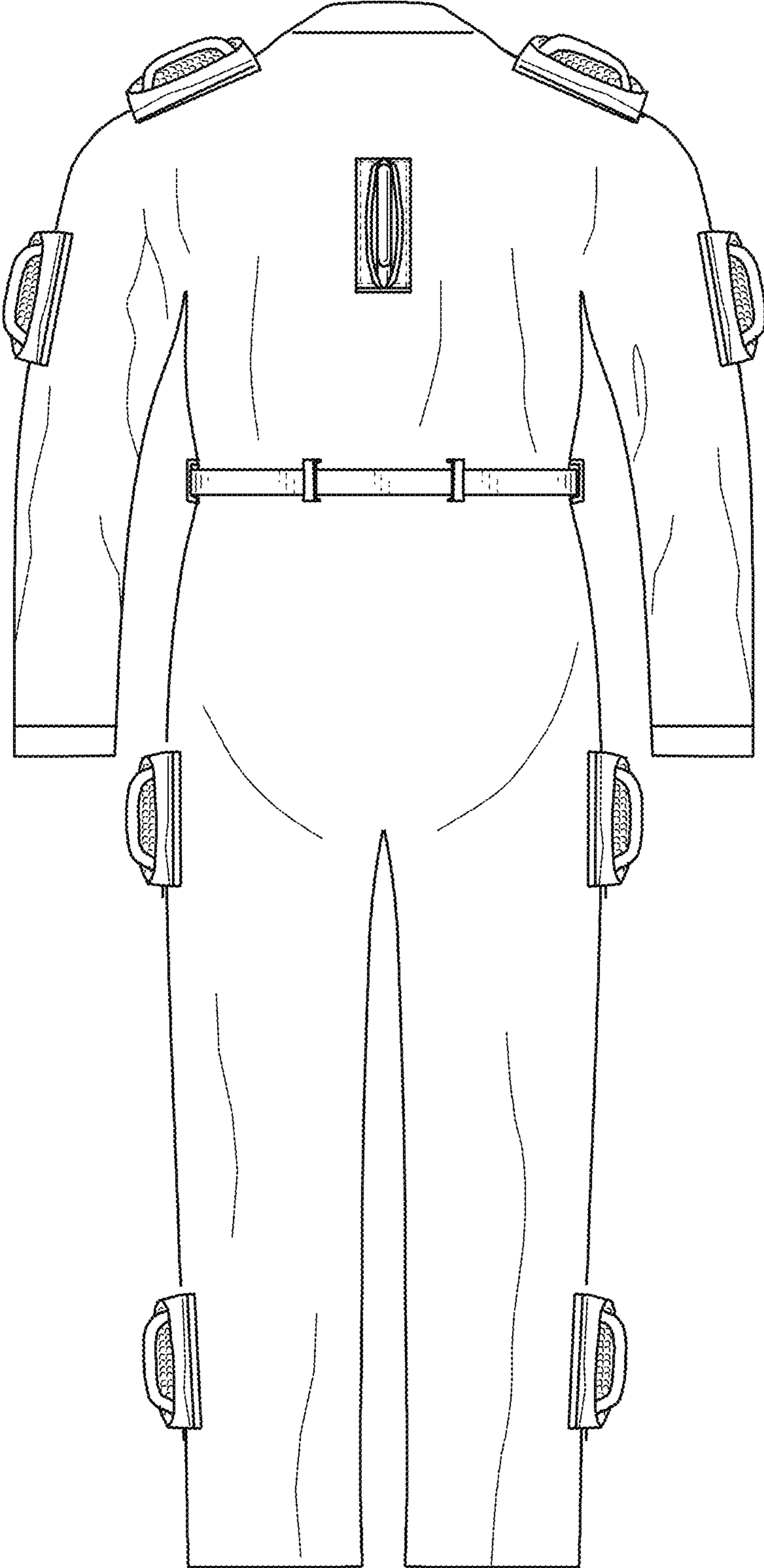


Fig. 2

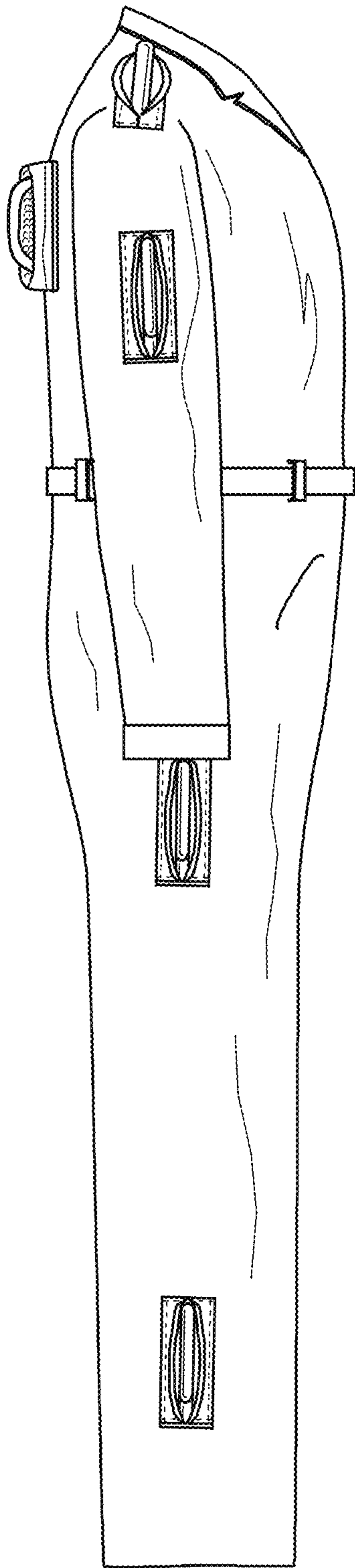


Fig. 3

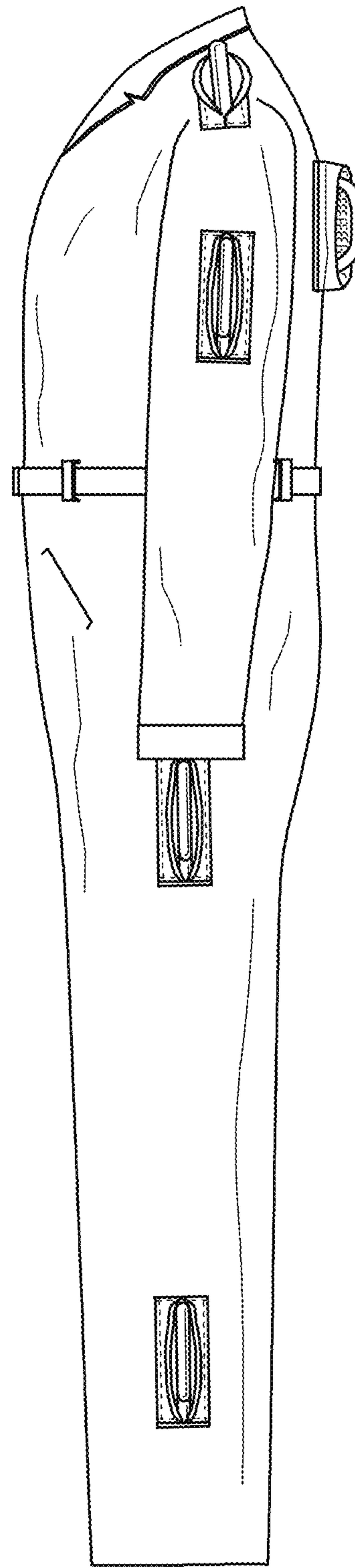


Fig. 4

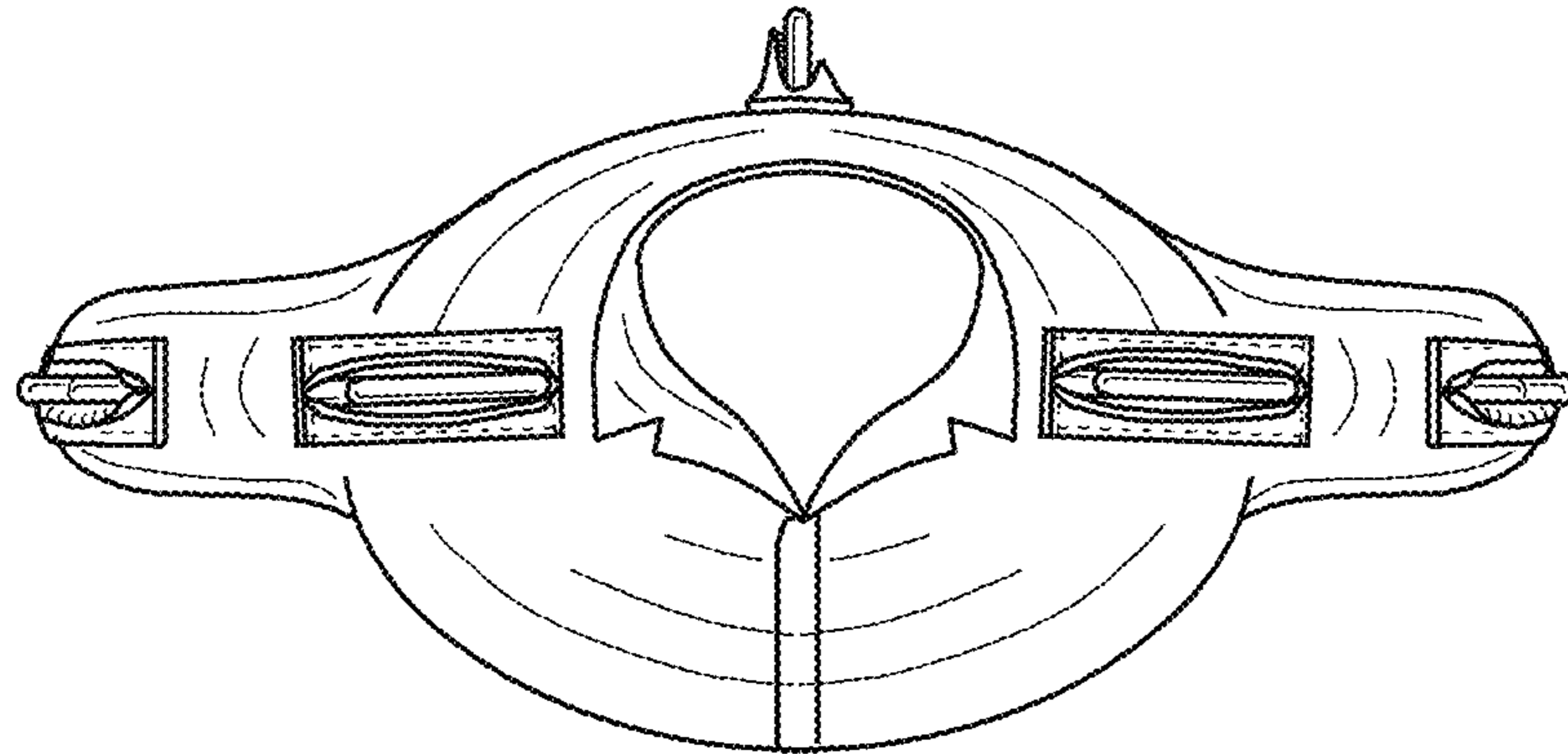


Fig. 5

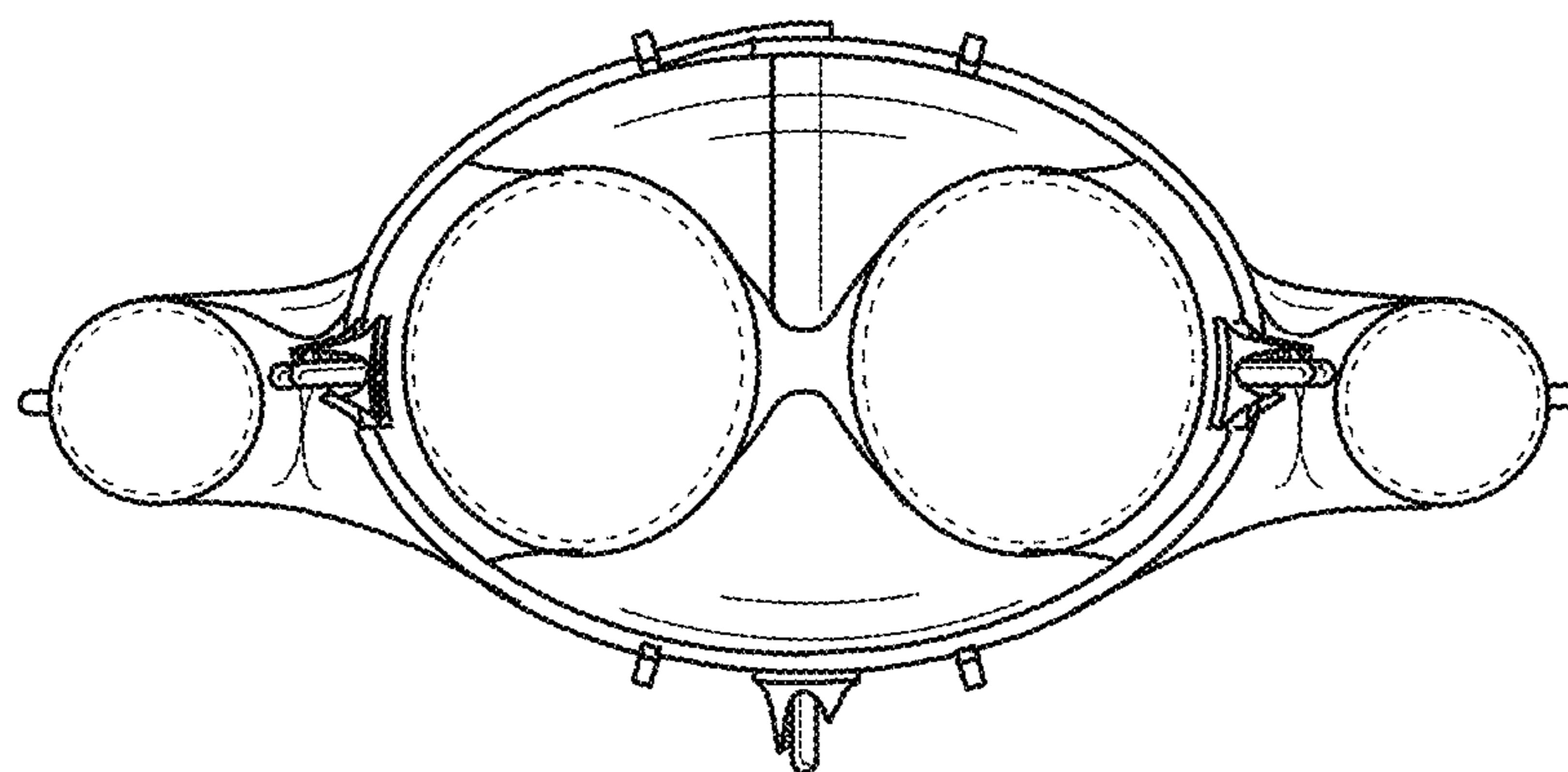


Fig. 6

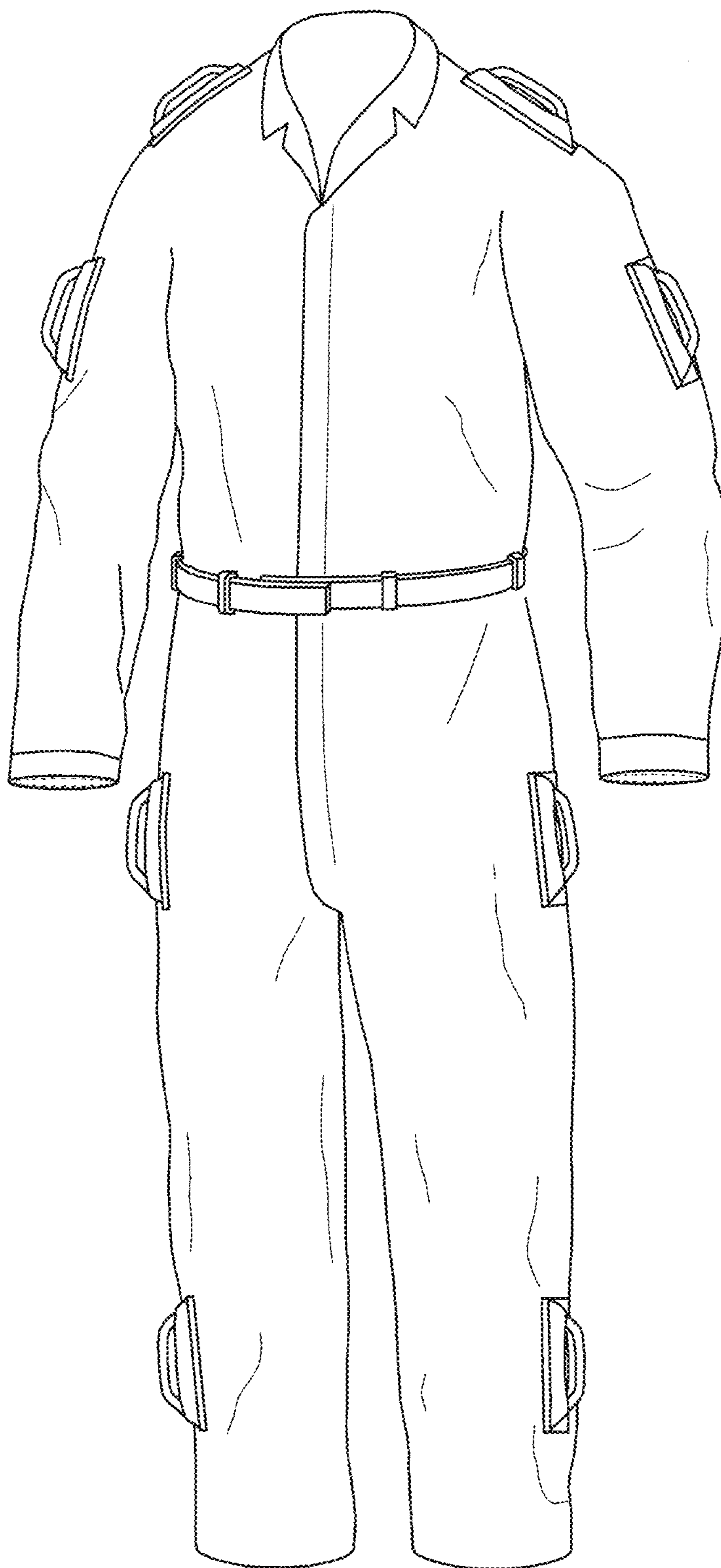


Fig. 7