



US00D770120S

(12) **United States Design Patent** (10) **Patent No.:** **US D770,120 S**
Emerson, III (45) **Date of Patent:** **** Oct. 25, 2016**

(54) **BUCKET BUOY**
(71) Applicant: **John S. Emerson, III**, Sanford, FL (US)
(72) Inventor: **John S. Emerson, III**, Sanford, FL (US)
(**) Term: **15 Years**
(21) Appl. No.: **29/541,834**
(22) Filed: **Oct. 8, 2015**
(51) **LOC (10) Cl.** **04-01**
(52) **U.S. Cl.**
USPC **D32/52; D22/136**
(58) **Field of Classification Search**
USPC D21/473, 474, 803; D22/121, 125, 126, D22/136, 137, 146; D32/29, 37, 53; D23/262, 263, 264, 265, 269
CPC A01K 97/00; A01K 97/02; A01K 97/04; B63B 17/00; A01G 31/02; B65D 25/00; B25G 45/04
See application file for complete search history.

D442,668 S * 5/2001 Tobias D22/136
D462,737 S * 9/2002 Lipari D22/136
6,711,849 B1 * 3/2004 Moretti A01K 97/02
43/44.99
D722,212 S * 2/2015 Kim D32/29
D743,131 S * 11/2015 Jeon D32/29
D748,880 S * 2/2016 Lentine D32/53
D753,357 S * 4/2016 Song D32/29
2002/0020104 A1 * 2/2002 Kolar A01K 97/05
43/55
2004/0093787 A1 * 5/2004 Kutzner A01K 97/02
43/44.99
2009/0223114 A1 * 9/2009 Obrien A01M 23/02
43/100
2012/0175373 A1 7/2012 Emerson, III
2014/0053448 A1 * 2/2014 Kapolnek A01K 97/02
43/4.5
2015/0319946 A1 * 11/2015 Center A01G 9/02
47/62 R
2016/0212983 A1 * 7/2016 Boudreau A01K 97/02

* cited by examiner
Primary Examiner — Manpreet Matharu
Assistant Examiner — Suzanne Tisdell
(74) *Attorney, Agent, or Firm* — Terry M. Sanks, Esq.;
Beusse Wolter Sanks & Maire, PLLC

(57) **CLAIM**
The ornamental design of a buoy for a bucket.

DESCRIPTION

FIG. 1 is a perspective view of a buoy for a bucket.
FIG. 2 is a top and bottom view of the buoy.
FIG. 3 is a front, back, left side, and right side view of the buoy; and,
FIG. 4 is a perspective view of the buoy with a bucket (not claimed).

1 Claim, 2 Drawing Sheets

(56) **References Cited**
U.S. PATENT DOCUMENTS
2,614,358 A * 10/1952 Adams A01K 97/02
43/43.1
4,903,429 A * 2/1990 Tetenes A01K 97/02
43/44.99
D389,553 S * 1/1998 Muto D22/136
5,826,374 A * 10/1998 Baca A01G 31/02
47/60
6,014,833 A 1/2000 Benavidez
D426,686 S * 6/2000 Clausen D32/29

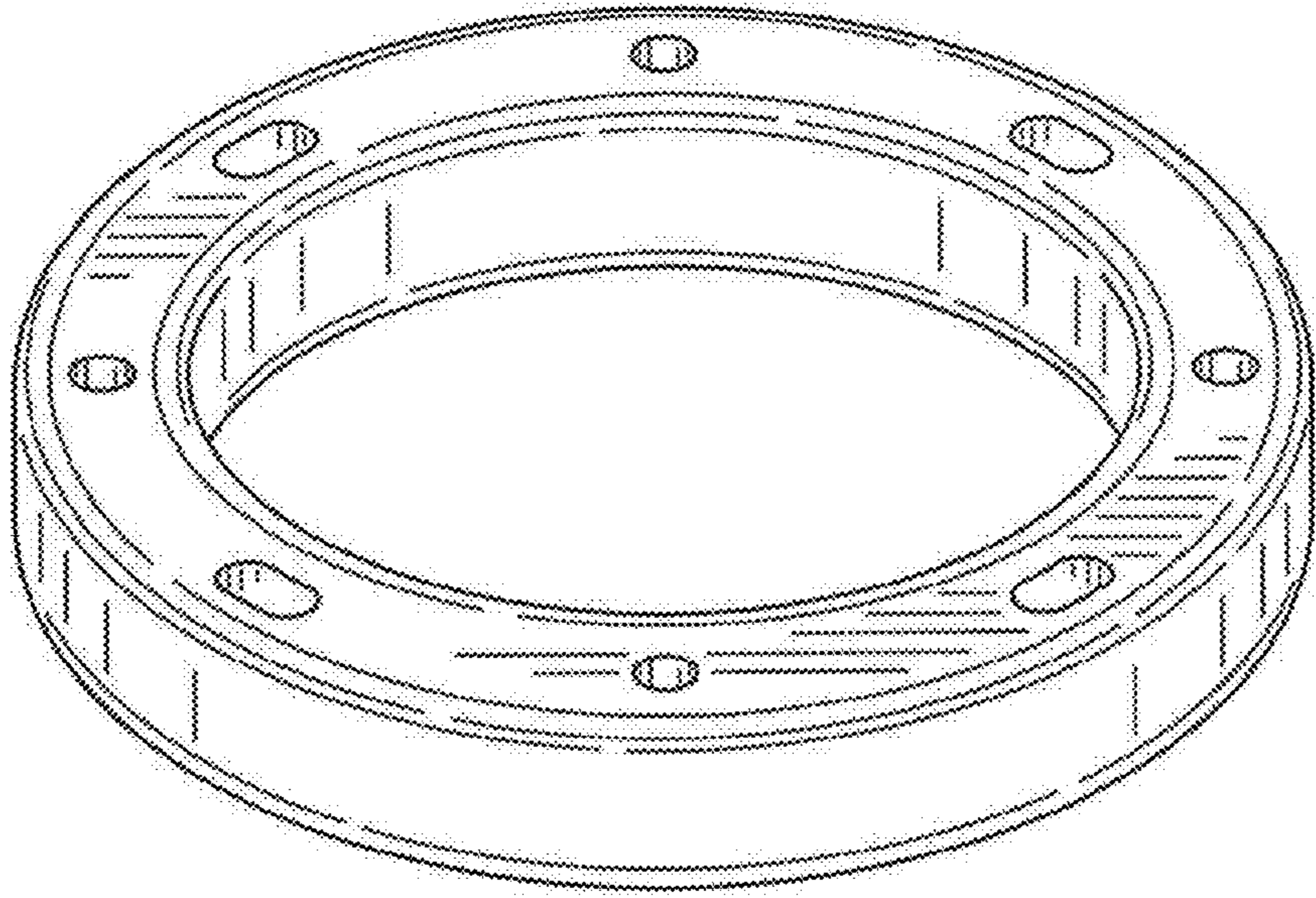


FIG. 1

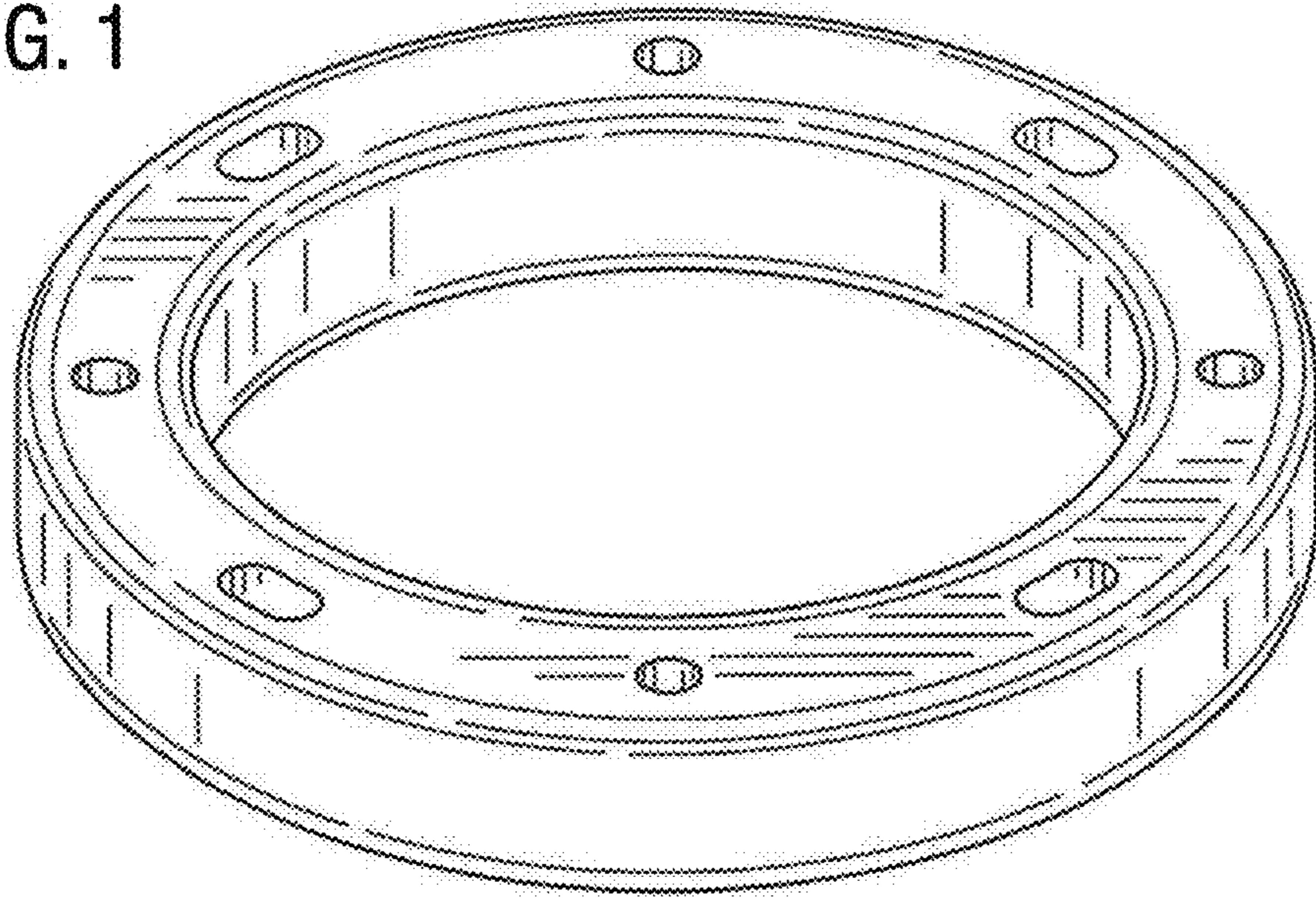


FIG. 2

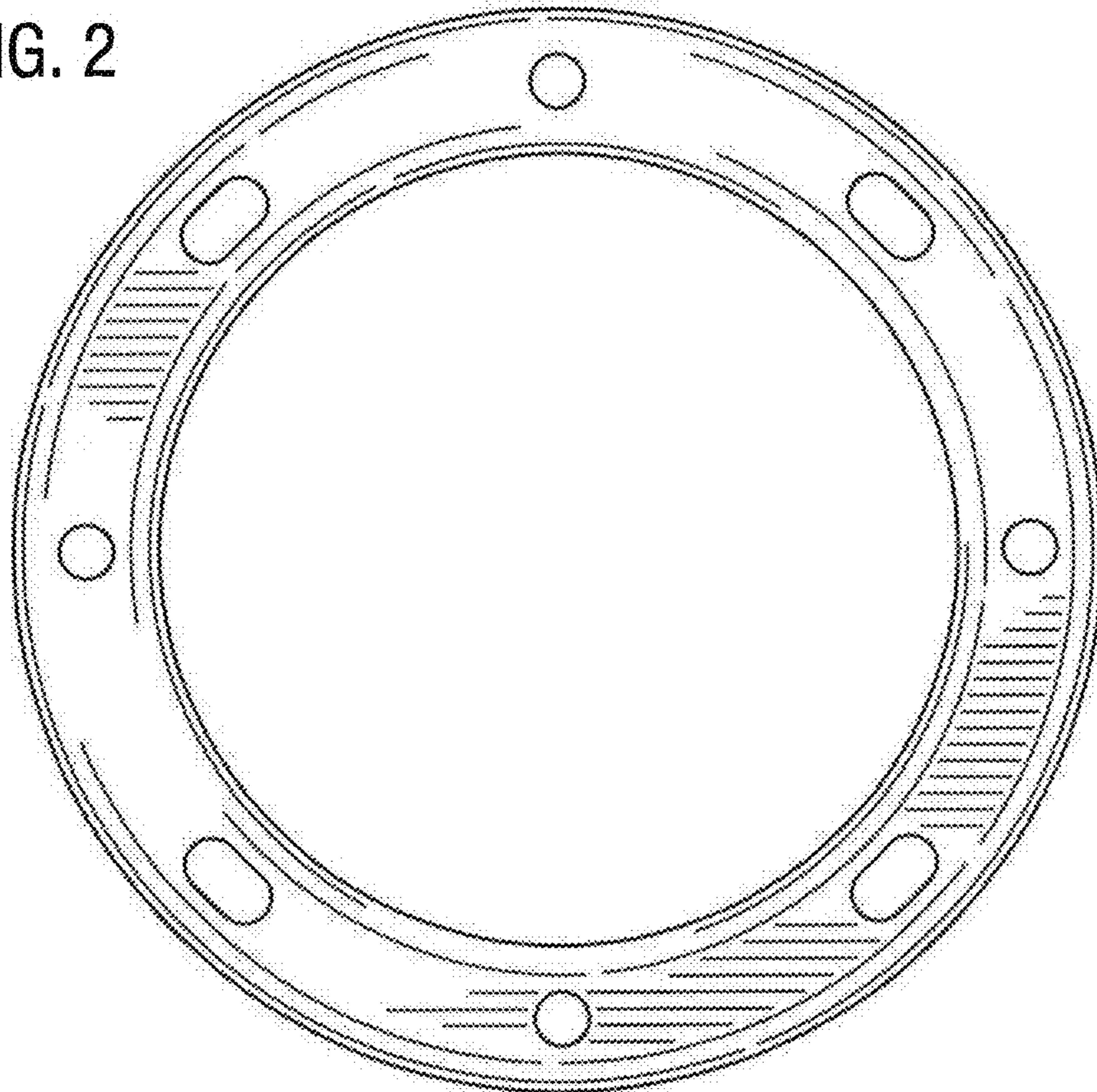


FIG. 3



FIG. 4

