



US00D770118S

(12) **United States Design Patent** (10) **Patent No.:** **US D770,118 S**  
**Neumann** (45) **Date of Patent:** **\*\* Oct. 25, 2016**

(54) **HAND-HELD CLEANING UTENSIL COUPLING**

(71) Applicant: **Easy Do Products Ltd**, London (GB)

(72) Inventor: **Paul Neumann**, London (GB)

(73) Assignee: **Easy Do Products Ltd** (GB)

(\*\*) Term: **14 Years**

(21) Appl. No.: **29/513,003**

(22) Filed: **Dec. 24, 2014**

(30) **Foreign Application Priority Data**

Jul. 1, 2014 (EM) ..... 002494518-0004

(51) **LOC (10) Cl.** ..... **04-01**

(52) **U.S. Cl.**  
USPC ..... **D32/45**

(58) **Field of Classification Search**  
USPC ..... D4/114, 118, 132, 138; D32/40-46  
CPC ..... A47L 13/17; A47L 17/04; A47L 1/08;  
A47L 13/22; A46B 11/0013; B65D 47/42;  
B43K 23/008  
See application file for complete search history.

(56) **References Cited**

**U.S. PATENT DOCUMENTS**

D252,250 S \* 7/1979 Hobbs ..... D32/45  
D267,282 S \* 12/1982 Gross ..... D32/51  
D330,788 S \* 11/1992 Berti ..... D32/45  
5,454,659 A \* 10/1995 Vosbikian ..... A47L 17/04  
401/140  
D387,704 S \* 12/1997 Berti ..... D32/45  
6,425,701 B1 \* 7/2002 Jacobs ..... A46B 11/0013  
401/206  
D475,483 S \* 6/2003 Angeletta ..... D28/7  
D484,705 S \* 1/2004 Dotterman ..... D32/42  
D493,962 S \* 8/2004 Dotterman ..... D32/45  
D501,607 S \* 2/2005 Hay ..... D4/114

(Continued)

**FOREIGN PATENT DOCUMENTS**

EM 000093521-0002 \* 2/2004  
EM 001016711-0002 \* 11/2008

(Continued)

**OTHER PUBLICATIONS**

Easy-Do Dishmatic and 6 Replacement Heads, website copyright 2016, [site visited Jun. 9, 2016 7:13:48 PM], [http://housecleaningsupplies.co.uk/index.php?app=gbu0&ns=prodshow&ref=EDDRH.\\*](http://housecleaningsupplies.co.uk/index.php?app=gbu0&ns=prodshow&ref=EDDRH.*)

(Continued)

*Primary Examiner* — John Windmuller

*Assistant Examiner* — John R Yeh

(74) *Attorney, Agent, or Firm* — Alex Hobson

(57) **CLAIM**

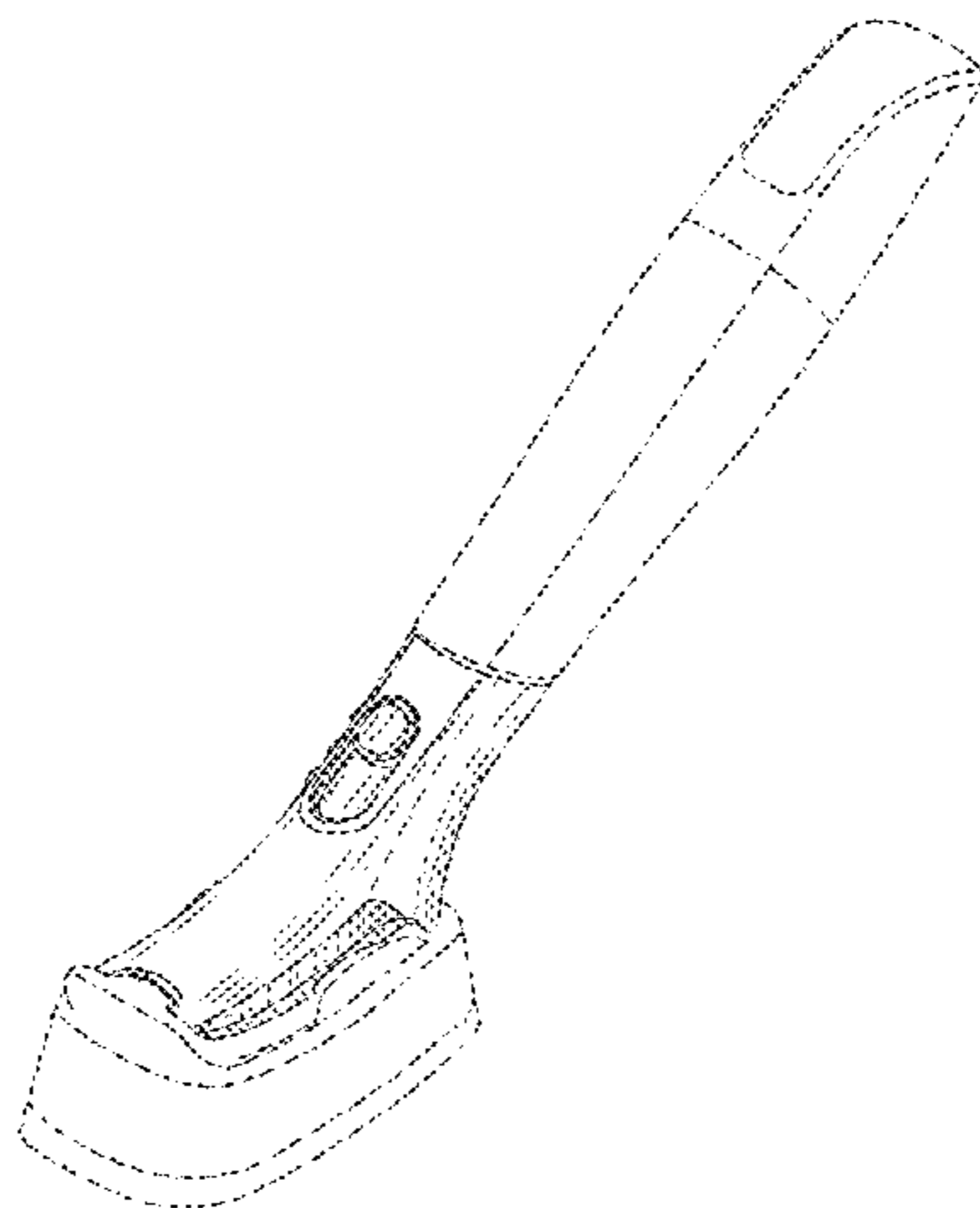
The ornamental design for a hand-held cleaning utensil coupling, as shown and described.

**DESCRIPTION**

FIG. 1 is a front perspective view of the hand-held cleaning utensil coupling with a removable sponge and a removable handle attached to the hand-held cleaning utensil coupling; FIG. 2 is a right side view of the hand-held cleaning utensil coupling; FIG. 3 is a left side view of the hand-held cleaning utensil coupling; FIG. 4 is a top-down view of the hand-held cleaning utensil coupling; FIG. 5 is a bottom-up view of the hand-held cleaning utensil coupling; FIG. 6 is a front view of the hand-held cleaning utensil coupling; and, FIG. 7 is a back view of the hand-held cleaning utensil coupling.

The sponge and handle shown in FIGS. 1-7 are shown in broken lines and are for the purpose of illustrating environmental structure and form no part of the claimed design.

**1 Claim, 7 Drawing Sheets**



(56)

References Cited

U.S. PATENT DOCUMENTS

D502,301 S \* 2/2005 Hay ..... D32/52  
 D511,626 S \* 11/2005 Hay ..... D32/45  
 7,040,830 B2 \* 5/2006 Kliegman ..... A46B 11/0013  
 401/187  
 D524,547 S \* 7/2006 Hay ..... D4/127  
 D549,411 S \* 8/2007 McNeeley ..... D32/40  
 D550,416 S \* 9/2007 Berti ..... D32/45  
 D554,314 S \* 10/2007 Kubes ..... D32/45  
 D565,846 S \* 4/2008 Holcomb ..... D4/114  
 D605,821 S \* 12/2009 Shaanan ..... D32/35  
 D606,269 S \* 12/2009 Treeby ..... D32/40  
 D660,006 S \* 5/2012 Li ..... D32/51  
 D685,549 S \* 7/2013 Wong ..... D32/40  
 D690,481 S \* 9/2013 Roehm ..... D32/40  
 D709,260 S \* 7/2014 Molinet ..... D32/40

FOREIGN PATENT DOCUMENTS

GB 1014470 \* 2/1984  
 GB 2096964 \* 2/2001

OTHER PUBLICATIONS

Amazon.com: Dawn 437918 Poly Dishwand with Scrubber, review date Dec. 3, 2014, [http://www.amazon.com/Dawn-437918-Poly-Dishwand-Scrubber/dp/B00BE02NUA/ref=sr\\_1\\_9?ie=UTF8&qid=1464392413&sr=8-9](http://www.amazon.com/Dawn-437918-Poly-Dishwand-Scrubber/dp/B00BE02NUA/ref=sr_1_9?ie=UTF8&qid=1464392413&sr=8-9)  
 &keywords=sponge+handle#customerReviews, site visited [May 27, 2016 7:45:16 PM].\*  
 Amazon.com: OXO Good Grips Soap Dispensing Dish Scrub review date Jul. 20, 2006, [https://www.amazon.com/...0009J4YA4/ref=pd\\_sim\\_sbs\\_201\\_2?ie=UTF8&dpID=31vAVF8xytL&dpSrc=sims&preST=\\_AC\\_UL160\\_SR160%2C160\\_&refRID=6SDM3Q1HZQA396Y8D1YJ](https://www.amazon.com/...0009J4YA4/ref=pd_sim_sbs_201_2?ie=UTF8&dpID=31vAVF8xytL&dpSrc=sims&preST=_AC_UL160_SR160%2C160_&refRID=6SDM3Q1HZQA396Y8D1YJ), [site visited Jun. 9, 2016 8:19:37 PM].\*

\* cited by examiner

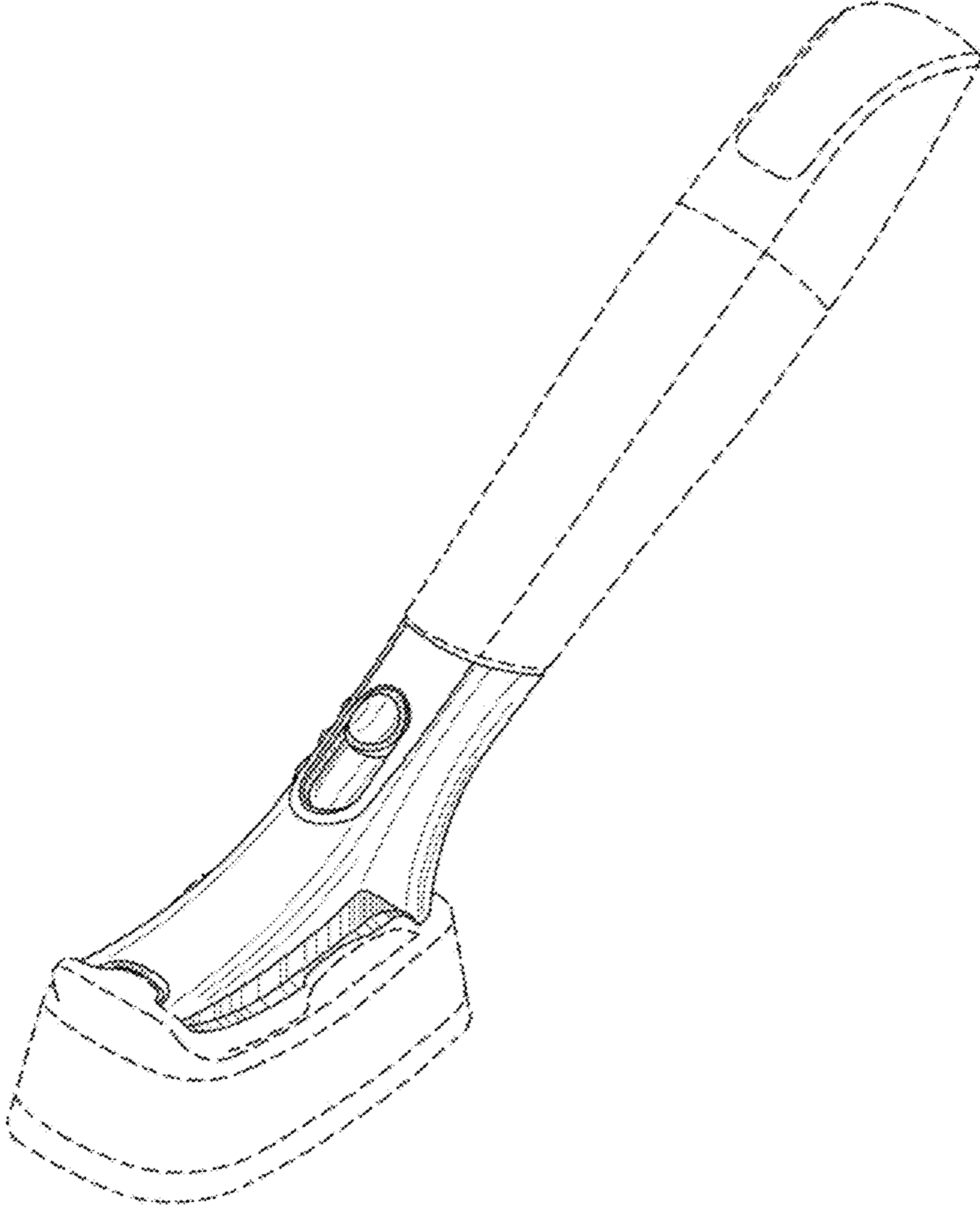


FIG. 1

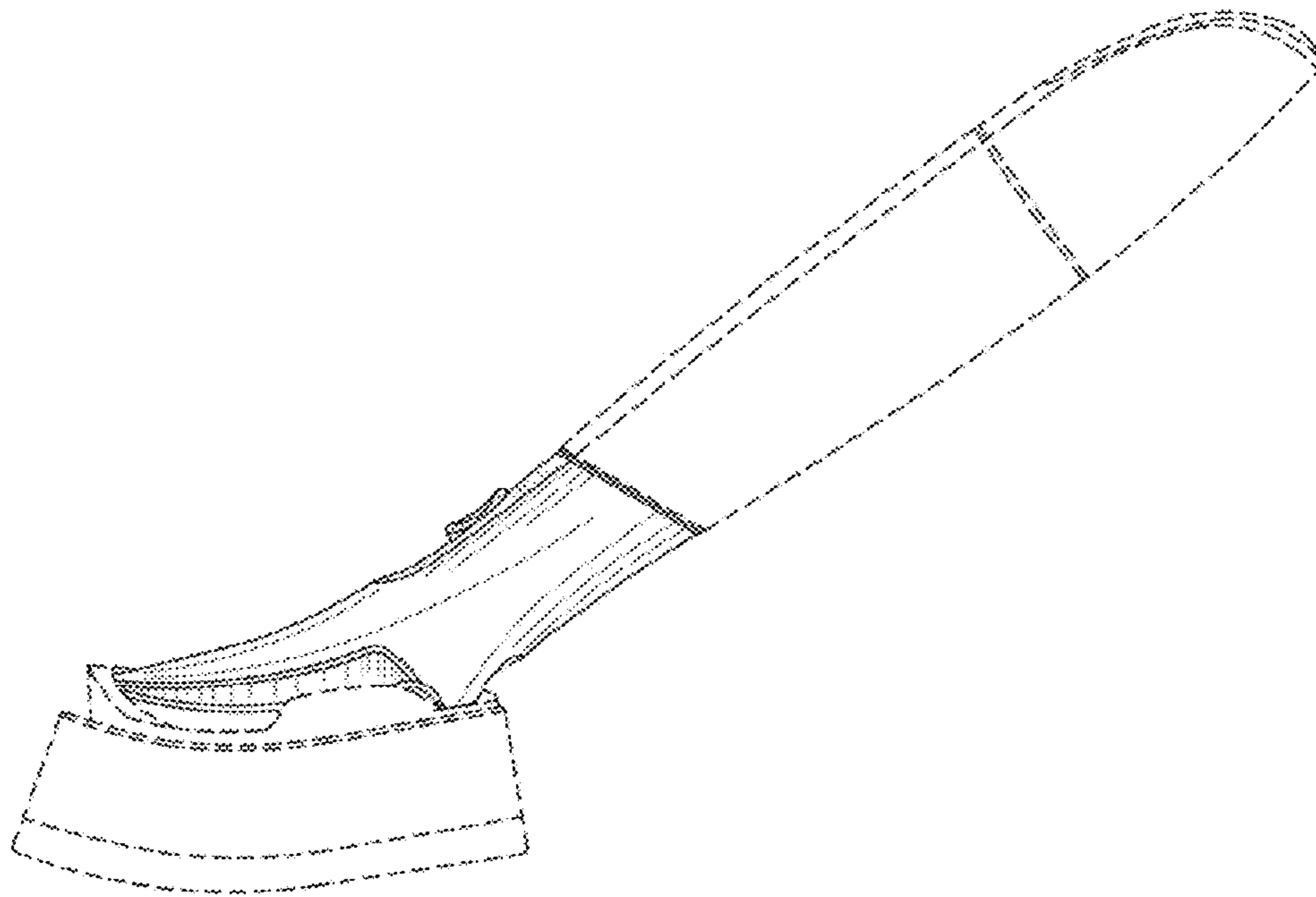


FIG. 2

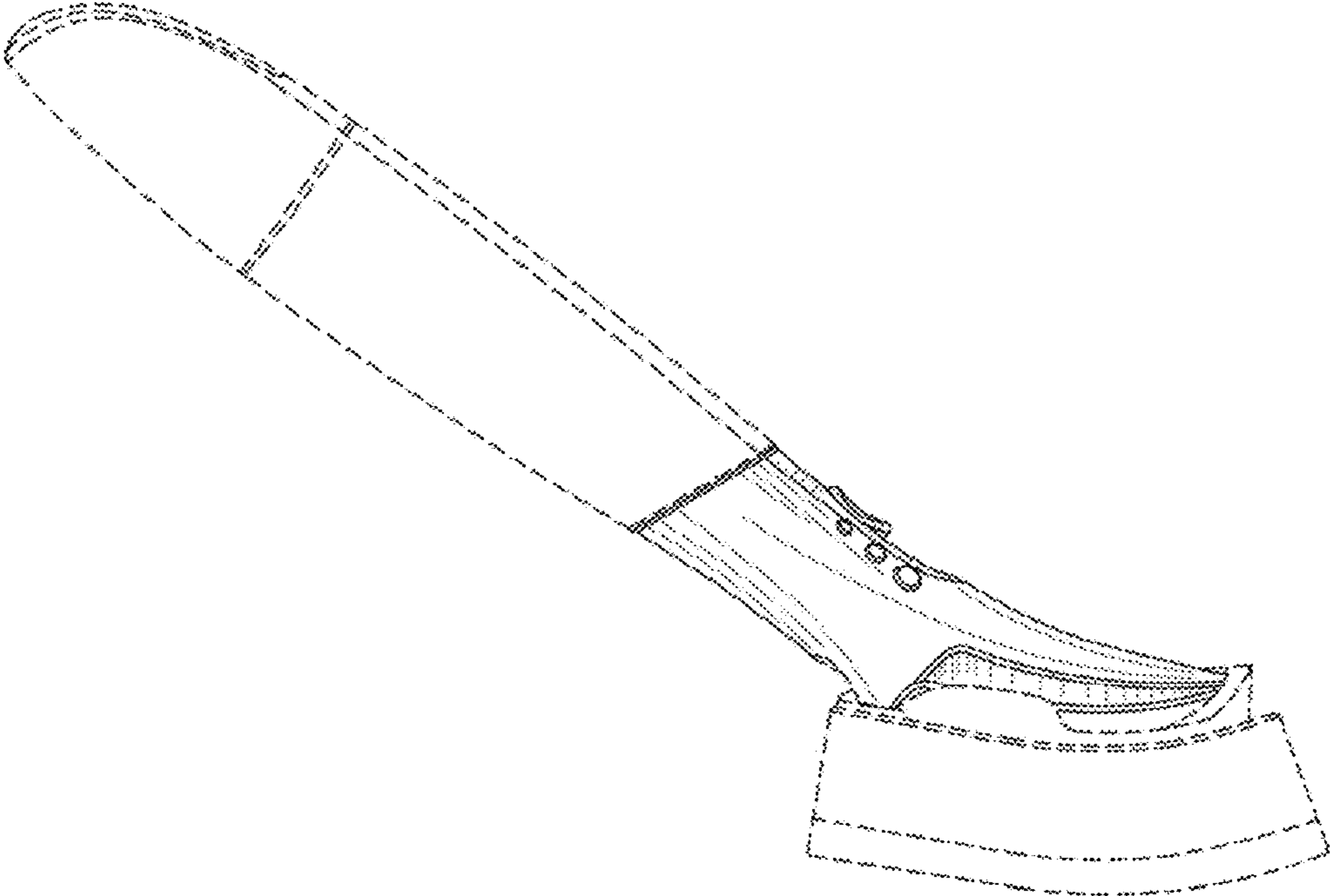


FIG. 3

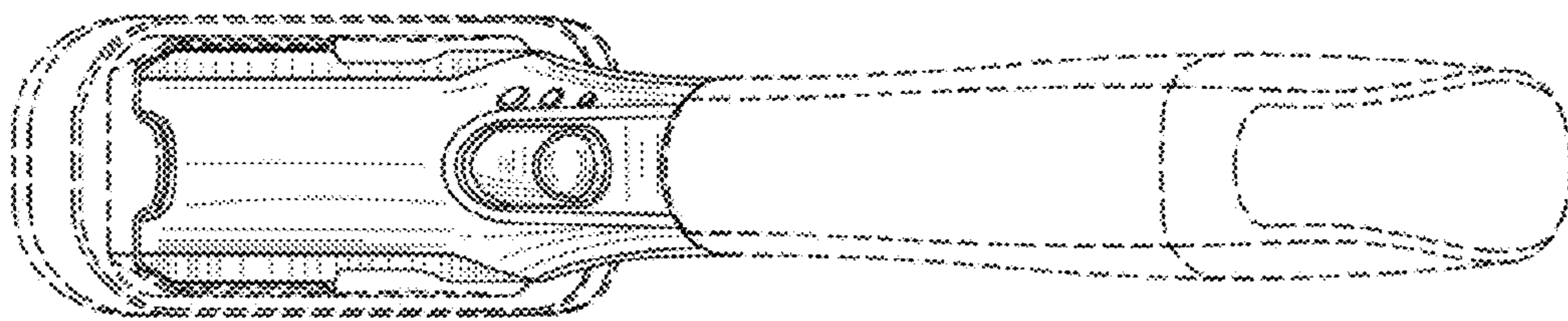


FIG. 4

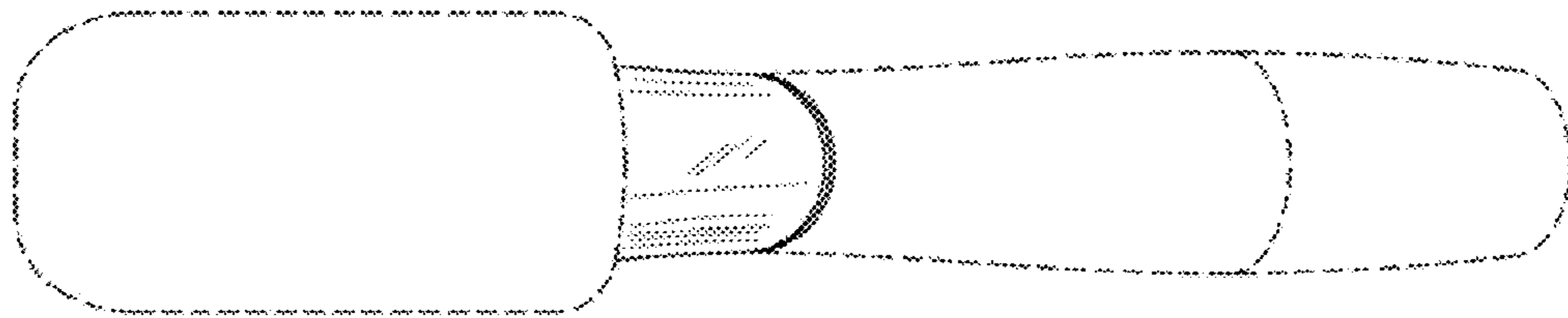


FIG. 5

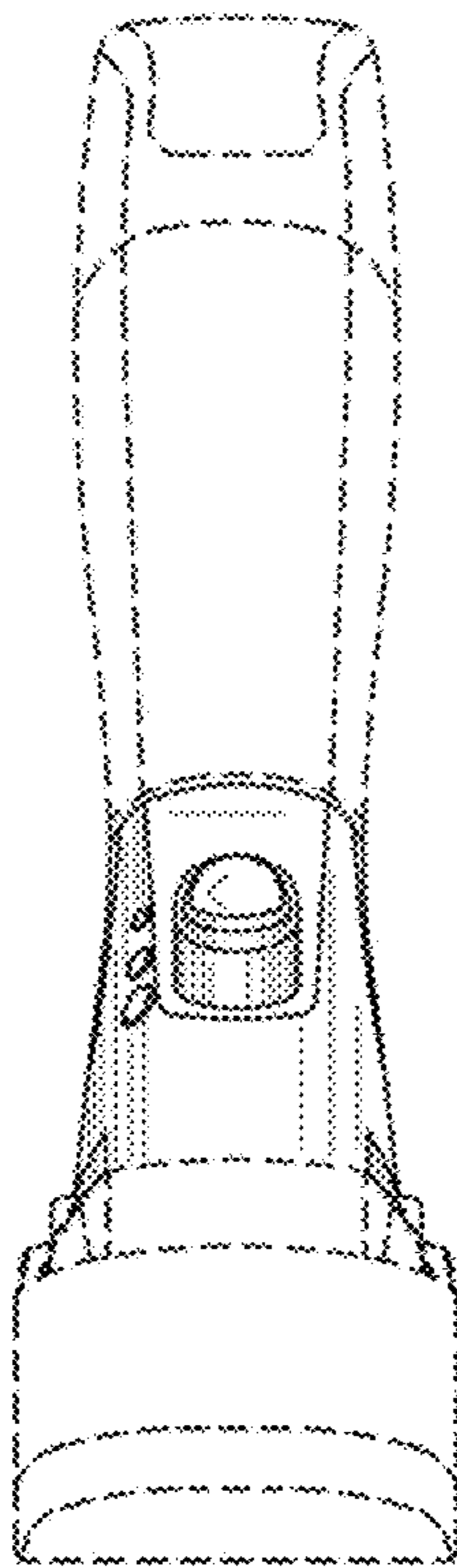


FIG. 6



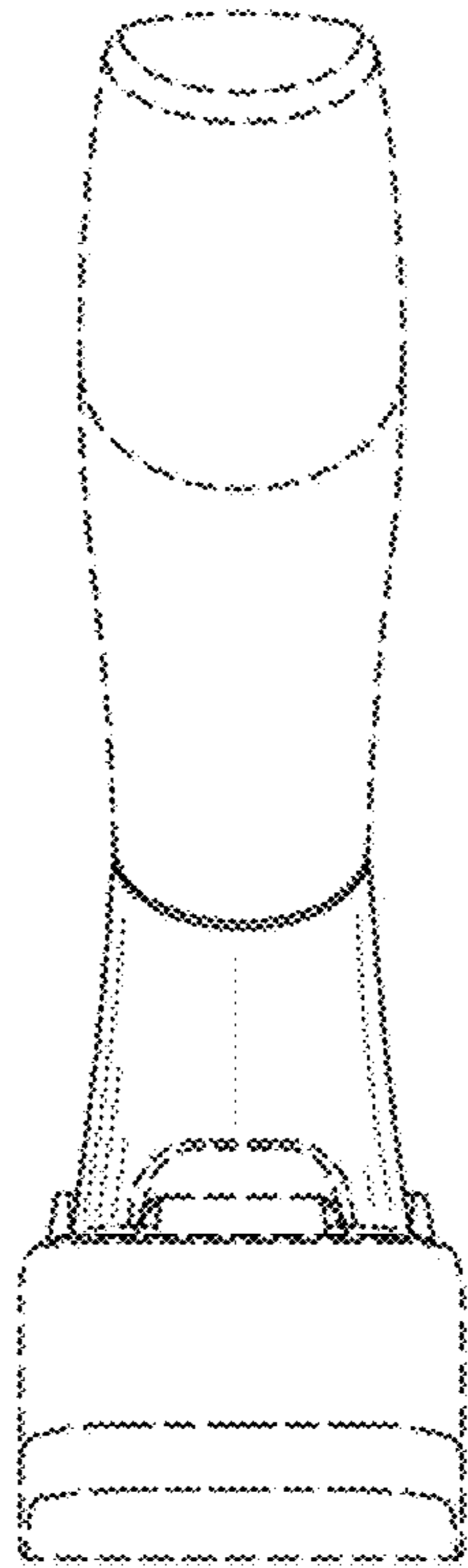


FIG. 7