



US00D770116S

(12) **United States Design Patent** (10) **Patent No.:** **US D770,116 S**  
**Neumann** (45) **Date of Patent:** **\*\* Oct. 25, 2016**

(54) **HAND-HELD CLEANING UTENSIL**

FOREIGN PATENT DOCUMENTS

(71) Applicant: **Easy Do Products Ltd**, London (GB)

EM 000093521-0002 \* 2/2004

(72) Inventor: **Paul Neumann**, London (GB)

EM 001016711-0002 \* 11/2008

(73) Assignee: **Easy Do Products Ltd** (GB)

GB 1014470 \* 2/1984

(\*\*) Term: **14 Years**

OTHER PUBLICATIONS

(21) Appl. No.: **29/512,993**

Amazon.com: Dawn 437918 Poly Dishwand with Scrubber, review date Dec. 3, 2014, [http://www.amazon.com/Dawn-437918-Poly-Dishwand-Scrubber/dp/B00BE02NUA/ref=sr\\_1\\_9?ie=UTF8&qid=1464392413&sr=8-9](http://www.amazon.com/Dawn-437918-Poly-Dishwand-Scrubber/dp/B00BE02NUA/ref=sr_1_9?ie=UTF8&qid=1464392413&sr=8-9) &keywords=sponge+handle#customerReviews, [site visited May 27, 2016 7:45:16 PM].\*

(22) Filed: **Dec. 24, 2014**

(30) **Foreign Application Priority Data**

(Continued)

Jul. 1, 2014 (EM) ..... 002494518-0001

*Primary Examiner* — John Windmuller

(51) **LOC (10) Cl.** ..... **04-01**

*Assistant Examiner* — John R Yeh

(52) **U.S. Cl.**

(74) *Attorney, Agent, or Firm* — Alex Hobson

USPC ..... **D32/45**

(58) **Field of Classification Search**

(57) **CLAIM**

USPC ..... D4/114, 118, 132, 138; D32/40–46  
CPC ..... A47L 13/17; A47L 17/04; A47L 1/08;  
A47L 13/22; A46B 11/0013; B65D 47/42;  
B43K 23/008

The ornamental design for hand-held cleaning utensil, as shown and described.

See application file for complete search history.

**DESCRIPTION**

(56) **References Cited**

FIG. 1 is a front perspective view of the hand-held cleaning utensil with a removable sponge attached to the hand-held cleaning utensil;

U.S. PATENT DOCUMENTS

FIG. 2 is a right side view of the hand-held cleaning utensil; FIG. 3 is a left side view of the hand-held cleaning utensil; FIG. 4 is a top-down view of the hand-held cleaning utensil; FIG. 5 is a bottom-up view of the hand-held cleaning utensil; FIG. 6 is a front view of the hand-held cleaning utensil; and, FIG. 7 is a back view of the hand-held cleaning utensil.

D252,250 S \* 7/1979 Hobbs ..... D32/45

D267,282 S \* 12/1982 Gross ..... D32/51

D330,788 S \* 11/1992 Berti ..... D32/45

5,454,659 A \* 10/1995 Vosbikian ..... A47L 17/04

401/140

D387,704 S \* 12/1997 Berti ..... D32/45

6,425,701 B1 \* 7/2002 Jacobs ..... A46B 11/0013

401/206

D475,483 S \* 6/2003 Angeletta ..... D28/7

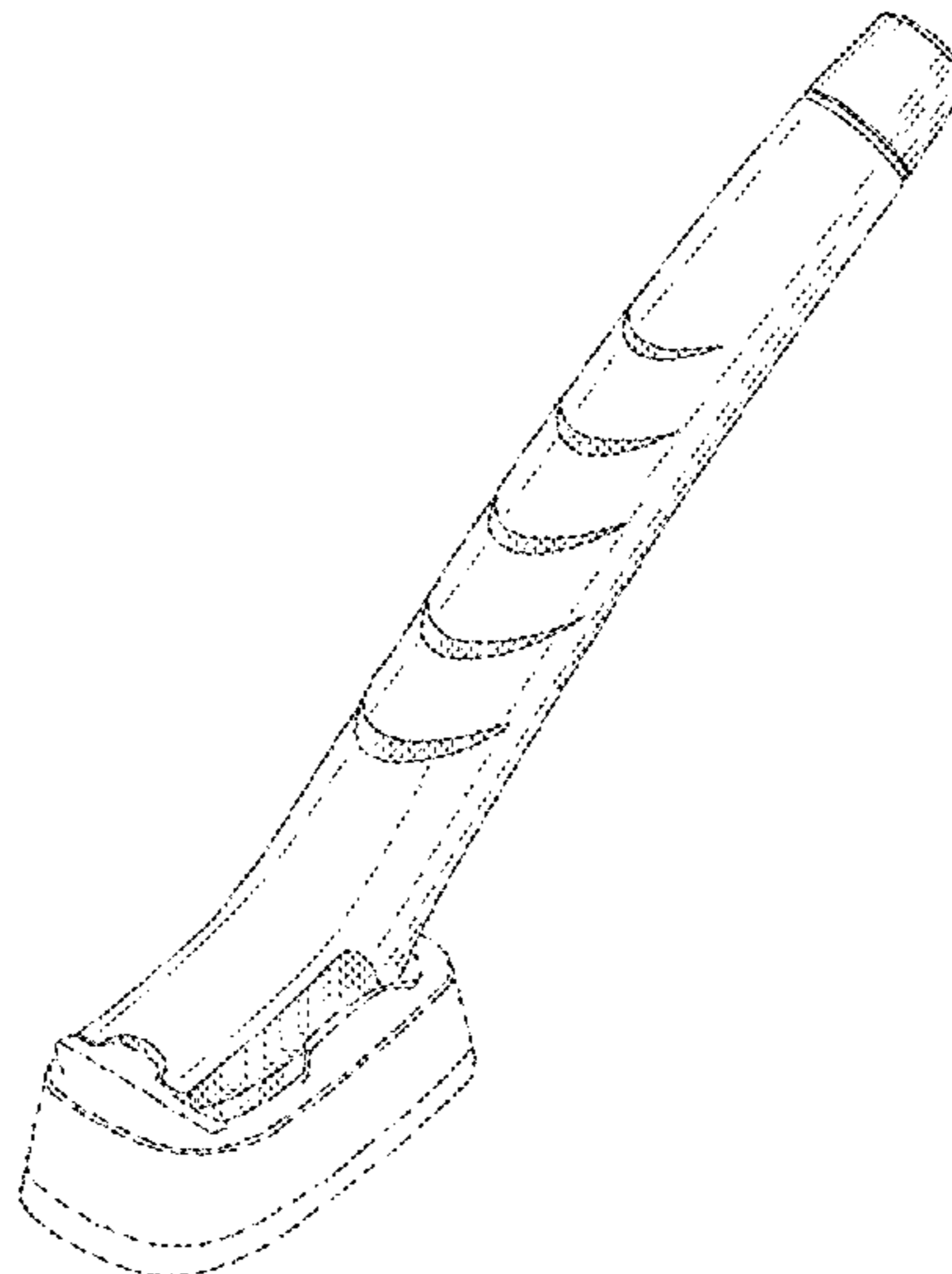
D484,705 S \* 1/2004 Dotterman ..... D32/42

D493,962 S \* 8/2004 Dotterman ..... D32/45

The hand-held cleaning utensil comprises a handle and an attachment head; the sponge shown in FIGS. 1-7 and attached to the attachment head is shown in broken lines and is for the purpose of illustrating environmental structure and forms no part of the claimed design.

(Continued)

**1 Claim, 7 Drawing Sheets**



(56)

References Cited

U.S. PATENT DOCUMENTS

D501,607 S *	2/2005	Hay .....	D4/114
D502,301 S *	2/2005	Hay .....	D32/52
D511,626 S *	11/2005	Hay .....	D32/45
7,040,830 B2 *	5/2006	Kliegman .....	A46B 11/0013 401/187
D524,547 S *	7/2006	Hay .....	D4/127
D549,411 S *	8/2007	McNeeley .....	D32/40
D550,416 S *	9/2007	Berti .....	D32/45
D554,314 S *	10/2007	Kubes .....	D32/45
D565,846 S *	4/2008	Holcomb .....	D4/114
D605,821 S *	12/2009	Shaanan .....	D32/35
D606,269 S *	12/2009	Treeby .....	D32/40
D660,006 S *	5/2012	Li .....	D32/51
D685,549 S *	7/2013	Wong .....	D32/40
D690,481 S *	9/2013	Roehm .....	D32/40
D709,260 S *	7/2014	Molinet .....	D32/40

OTHER PUBLICATIONS

Amazon.com: OXO Good Grips Soap Dispensing Dish Scrub, review date Jul. 20, 2006, [site visited Jun. 9, 2016 8:19:37 PM], [https://www.amazon.com/...0009J4YA4/ref=pd\\_sim\\_sbs\\_201\\_2?ie=UTF8&dpID=31vAVF8xyth&dpSrc=sims&preST=\\_AC\\_UL160\\_SR160%2C160\\_&refRID=6SDM3Q1HZQA396Y8D1YJ.\\*](https://www.amazon.com/...0009J4YA4/ref=pd_sim_sbs_201_2?ie=UTF8&dpID=31vAVF8xyth&dpSrc=sims&preST=_AC_UL160_SR160%2C160_&refRID=6SDM3Q1HZQA396Y8D1YJ.*)  
Easy-Do Dishmatic and 6 Replacement Heads, website copyright 2016, [site visited Jun. 9, 2016 7:13:48 PM], [http://housecleaningsupplies.co.uk/index.php?app=gbu0&ns=prodshow&ref=EDDRH.\\*](http://housecleaningsupplies.co.uk/index.php?app=gbu0&ns=prodshow&ref=EDDRH.*)

\* cited by examiner

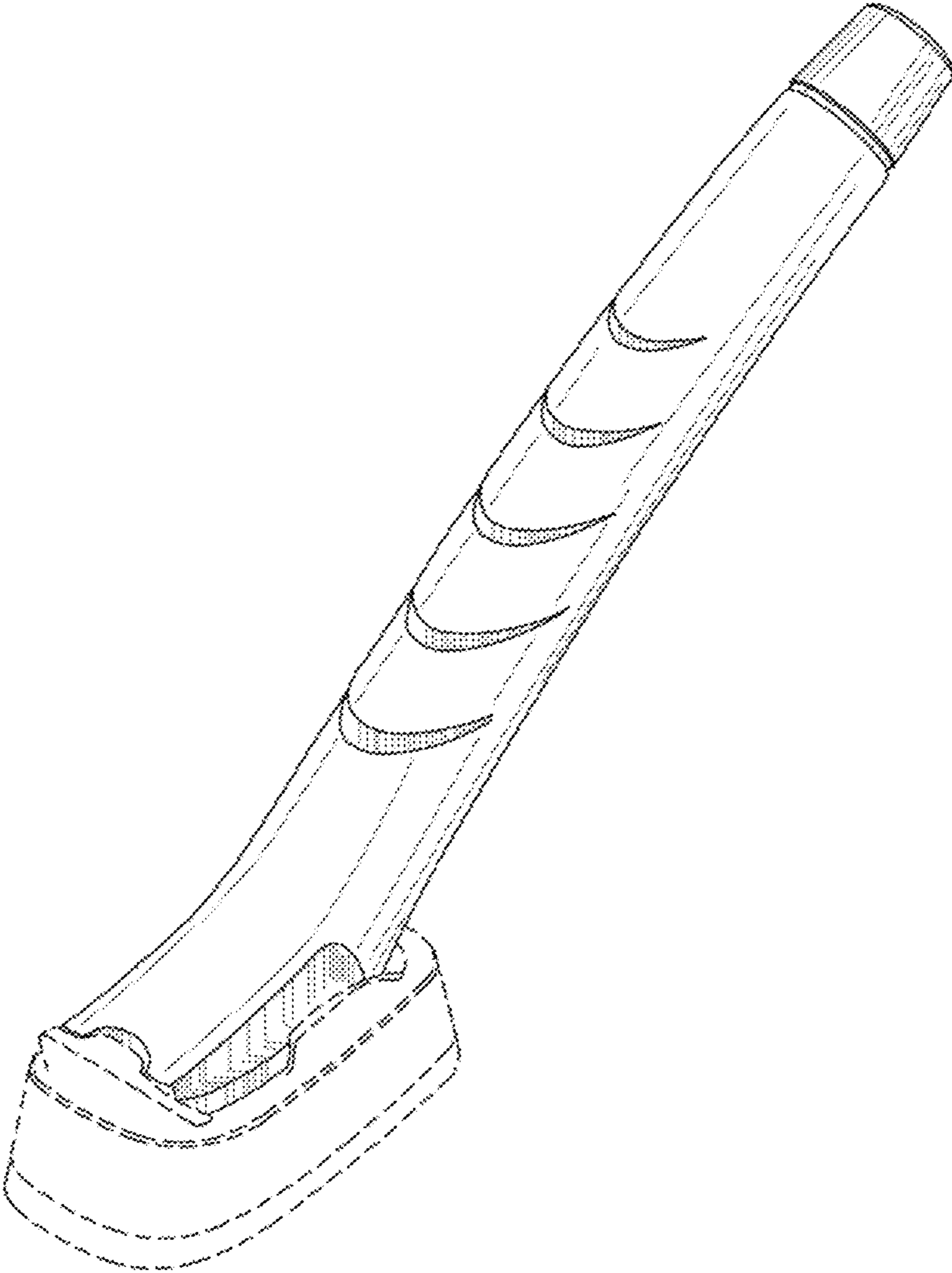


FIG. 1

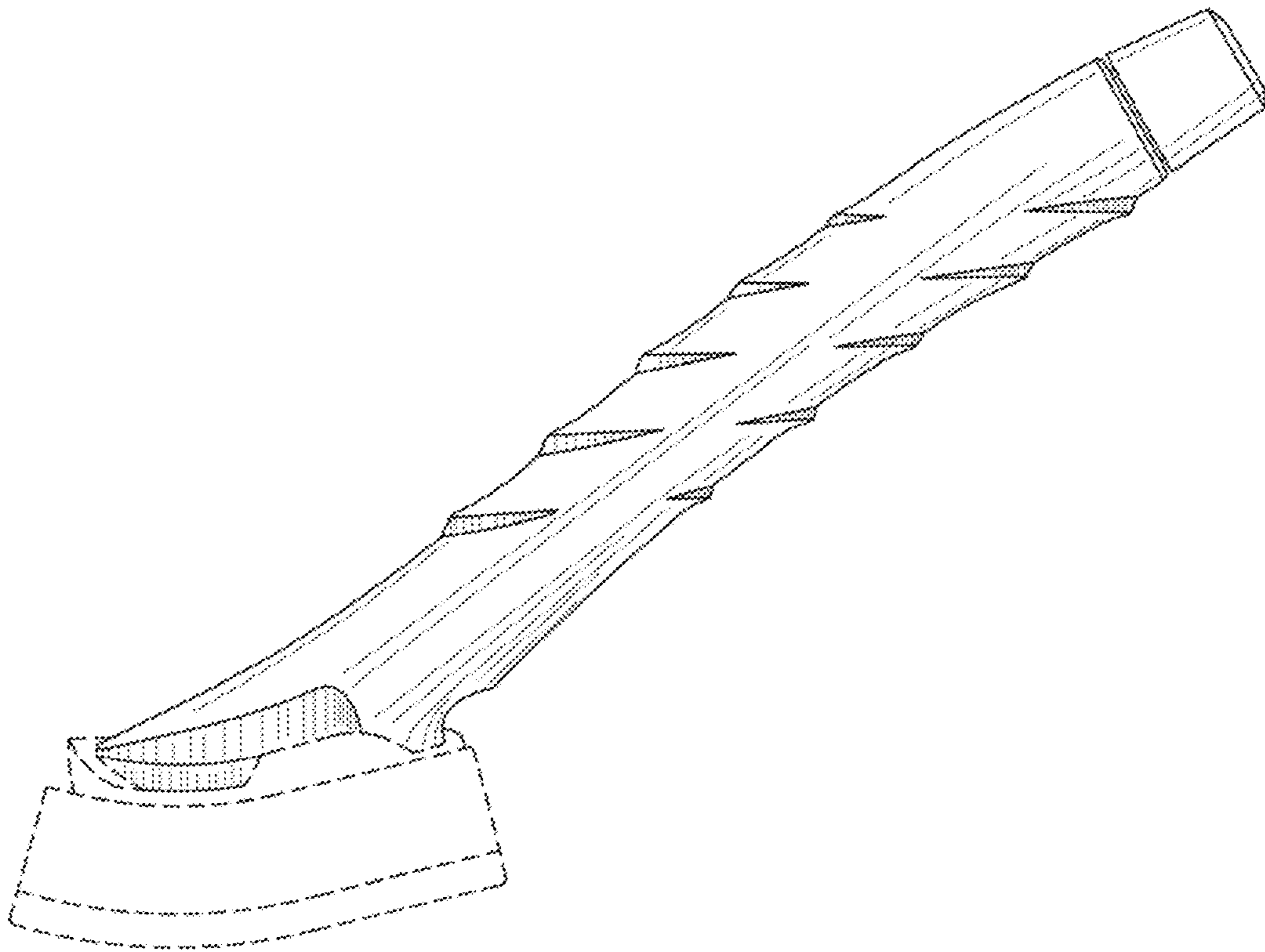


FIG. 2

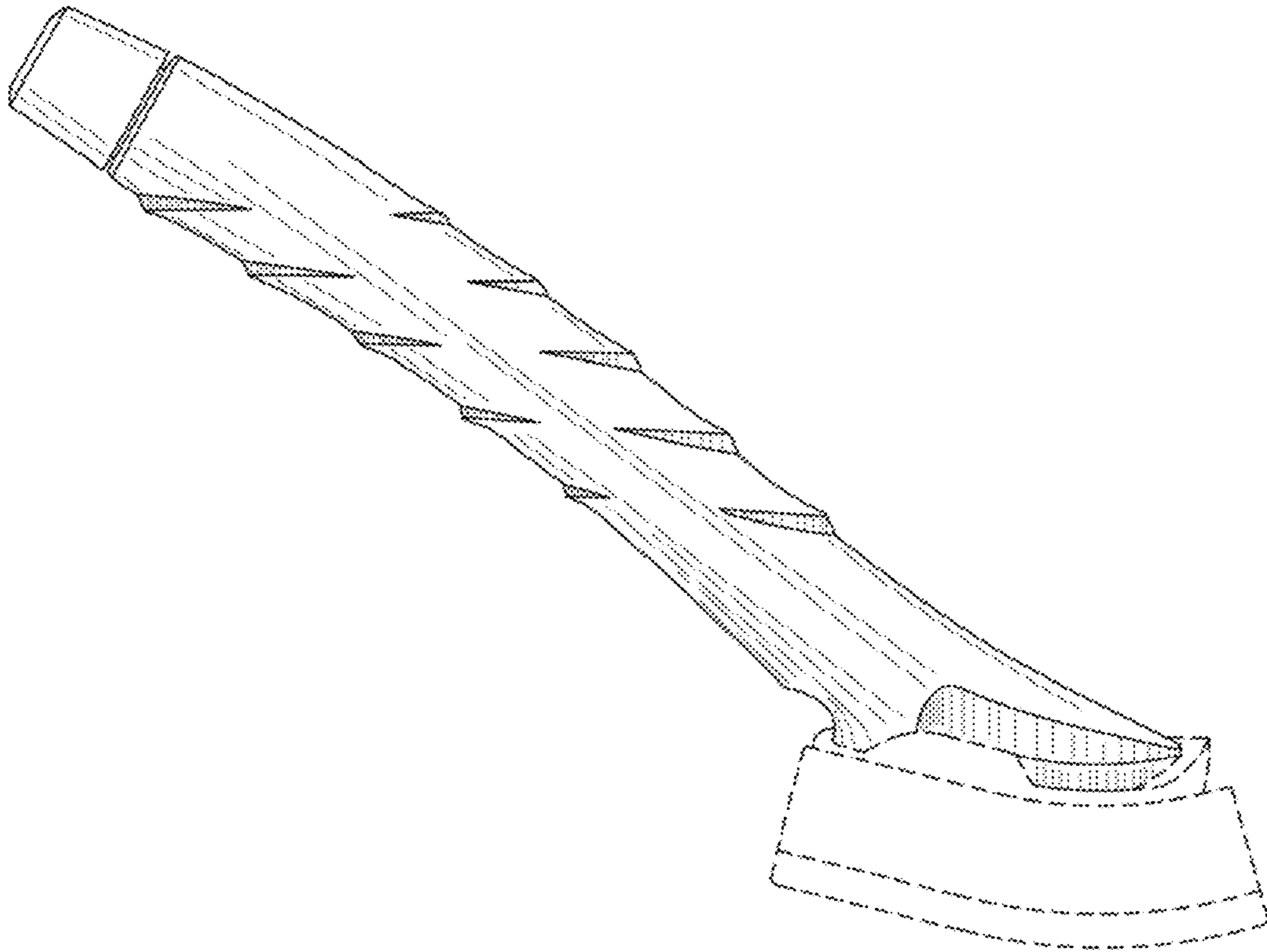


FIG. 3

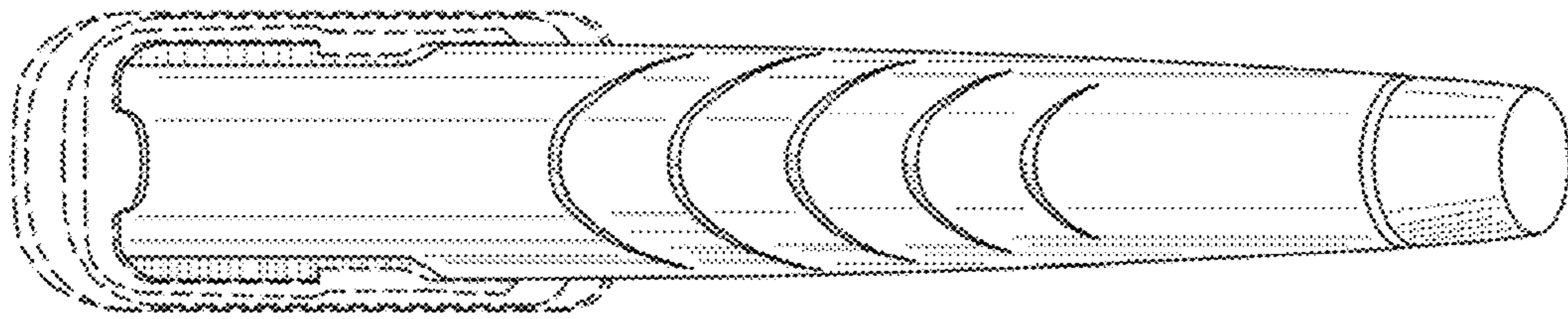


FIG. 4

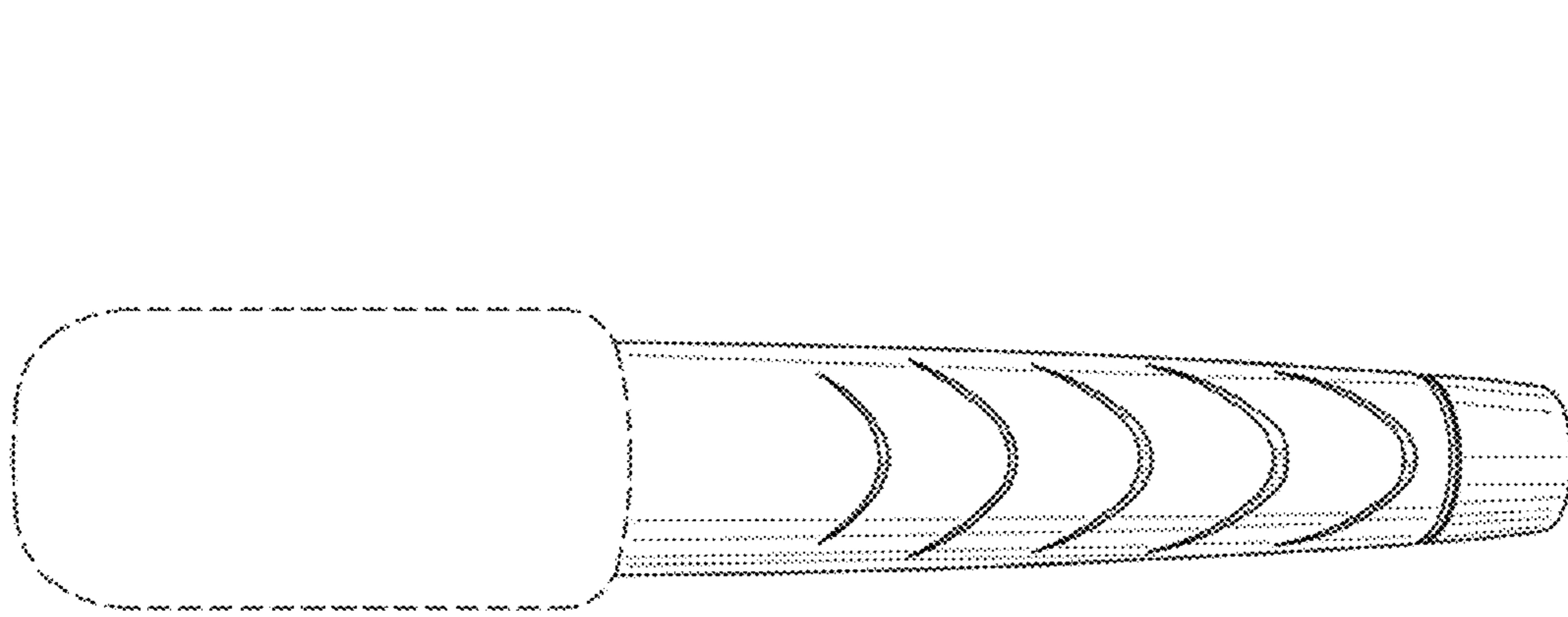


FIG. 5

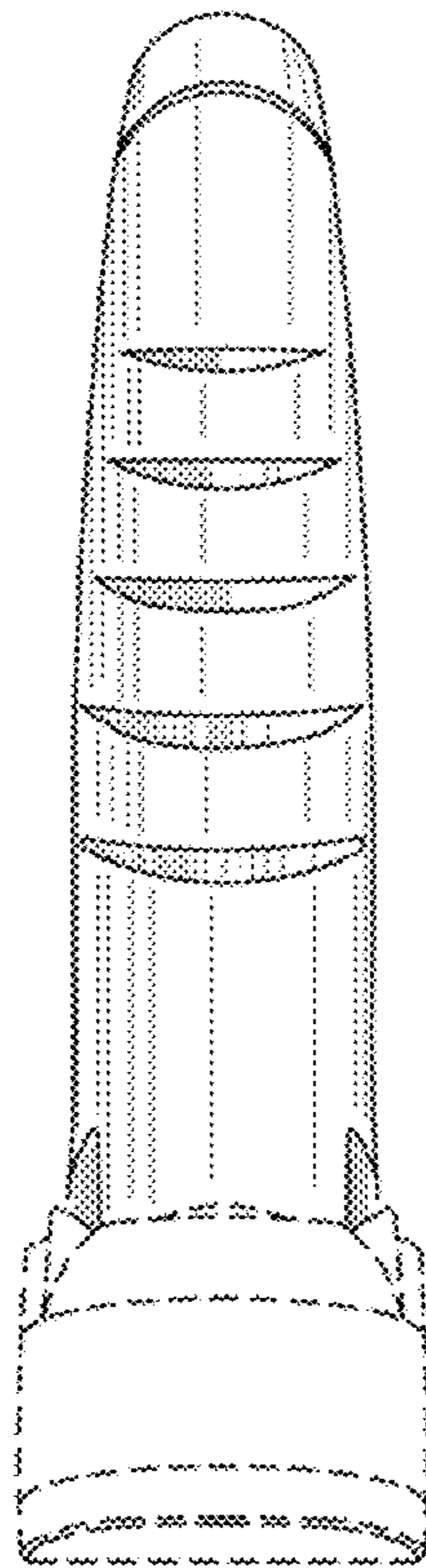


FIG. 6



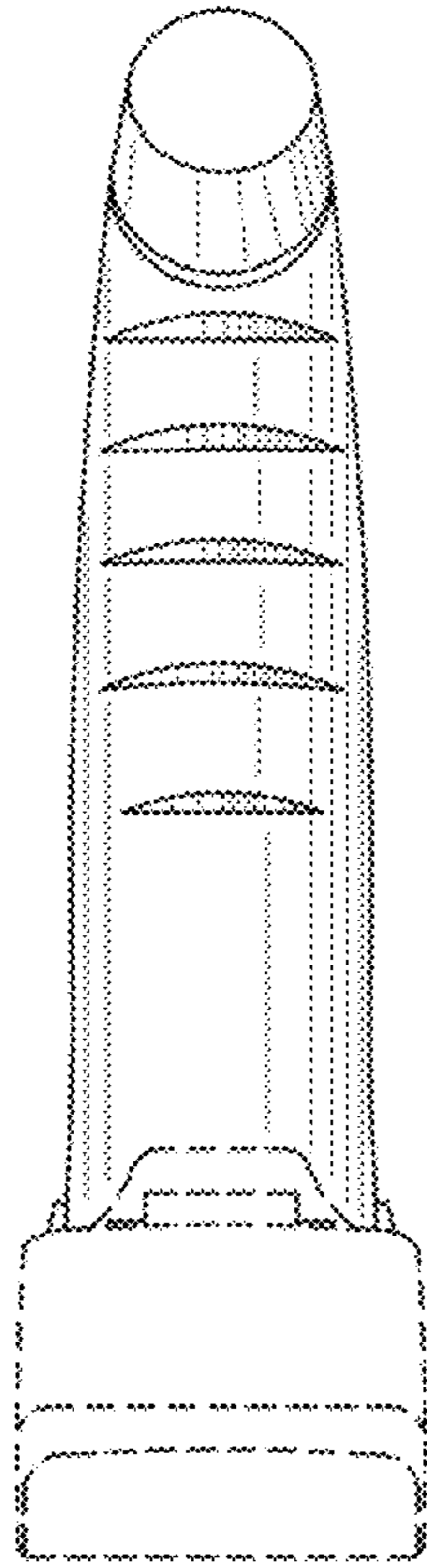


FIG. 7