



US00D770115S

(12) **United States Design Patent**
Ritch

(10) **Patent No.:** **US D770,115 S**

(45) **Date of Patent:** **** Oct. 25, 2016**

- (54) **SCREEN WIPER**
- (71) Applicant: **JOBAR INTERNATIONAL, INC.**,
Carson, CA (US)
- (72) Inventor: **Stephen Jeffrey Ritch**, Huntington
Beach, CA (US)
- (73) Assignee: **Jobar International, Inc.**, Carson, CA
(US)
- (**) Term: **14 Years**
- (21) Appl. No.: **29/508,730**
- (22) Filed: **Nov. 10, 2014**
- (51) **LOC (10) Cl.** **04-01**
- (52) **U.S. Cl.**
USPC **D32/41**
- (58) **Field of Classification Search**
USPC D32/40-42, 46-49; D8/33, 47, 90, 93,
D8/394, 364, 349, 381; D4/118, 199;
D24/146-147; D23/267
CPC A47L 1/06; A47L 13/24; A47L 15/0081
See application file for complete search history.

- 6,490,749 B1 * 12/2002 Morad A47L 13/144
15/119.1
- D586,962 S * 2/2009 Li D32/41
- D589,337 S * 3/2009 Karlsson D8/394
- 7,707,679 B2 * 5/2010 Young A47L 13/11
134/6
- D658,275 S * 4/2012 Luke D23/267

(Continued)

FOREIGN PATENT DOCUMENTS

- GB 2010696 * 2/1991
- GB 2058339 * 12/1996

OTHER PUBLICATIONS

Top 5 Best Glass Shower Door Squeegee, website copyright 2016,
<http://www.best-squeegee.org/glass-shower-door-squeegee/>, [site
visited May 10, 2016 4:35:23 PM].*

(Continued)

Primary Examiner — John Windmuller
Assistant Examiner — John R Yeh
(74) *Attorney, Agent, or Firm* — Lewis Roca Rothgerber
Christie LLP

(56) **References Cited**

U.S. PATENT DOCUMENTS

- 92,624 A * 7/1869 Mallerd A47L 1/06
15/245
- 104,886 A * 6/1870 Rhodehamel A47L 1/06
15/121
- 2,114,892 A * 4/1938 Vaughn A47L 13/16
100/296
- 2,179,223 A * 11/1939 Siemund A47L 1/06
15/245
- D198,471 S * 6/1964 Bracket D25/119
- D222,703 S * 12/1971 Richardson D32/41
- 3,783,469 A * 1/1974 Siemund A47L 1/06
15/121
- D255,886 S * 7/1980 Flynn D11/143
- 4,506,404 A * 3/1985 Clay A47L 13/16
15/218.1
- 4,908,901 A * 3/1990 Torres A47L 13/144
15/119.1
- D357,407 S * 4/1995 Pate D8/381
- 5,784,838 A * 7/1998 Phillips E04F 17/00
405/44
- D397,594 S * 9/1998 Harper D8/14

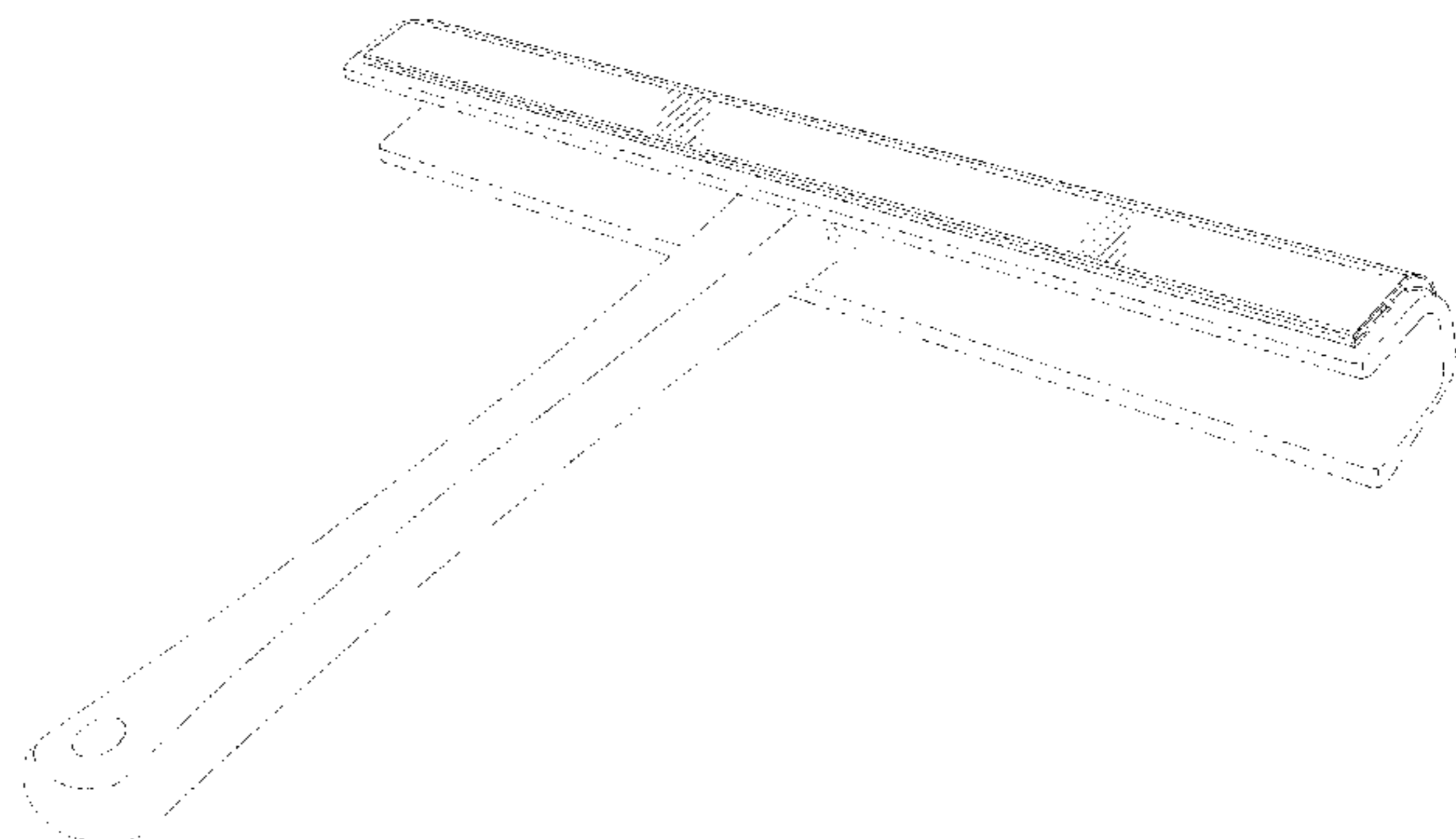
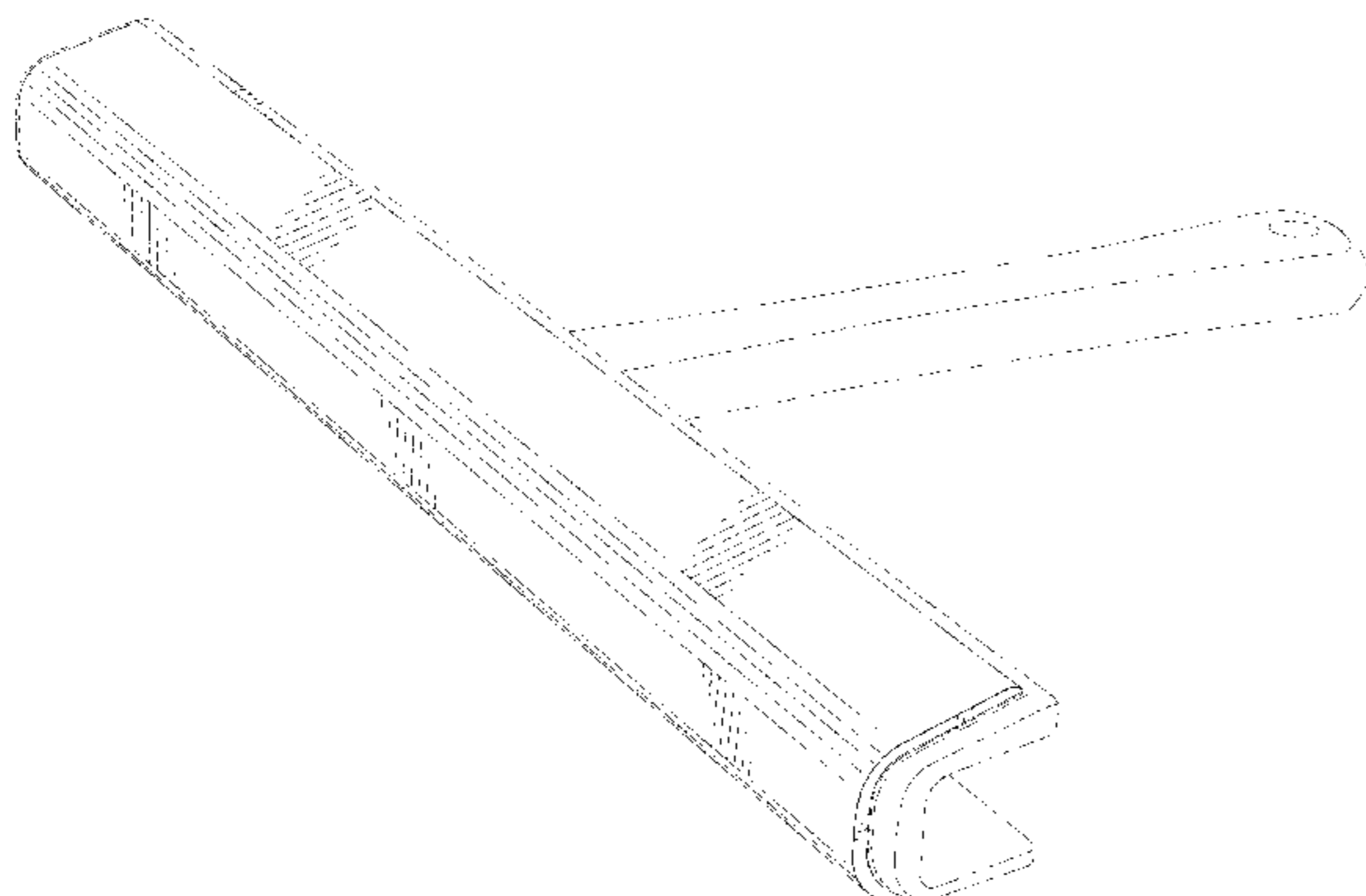
(57) **CLAIM**

The ornamental design for screen wiper, as shown and
described.

DESCRIPTION

FIG. 1 is a front perspective view of my design for a screen
wiper;
FIG. 2 is a rear perspective view thereof;
FIG. 3 is a top view thereof;
FIG. 4 is a left side view thereof;
FIG. 5 is a bottom view thereof;
FIG. 6 is a right side view thereof;
FIG. 7 is a front view thereof; and,
FIG. 8 is a rear view thereof.
The broken lines are for illustrative purposes only and form
no part of the claimed design.

1 Claim, 6 Drawing Sheets



(56)

References Cited

U.S. PATENT DOCUMENTS

D662,190 S * 6/2012 Luke D23/267
D685,550 S * 7/2013 Tronconi D32/40
D714,624 S * 10/2014 Cayouette D8/381
9,091,070 B2 * 7/2015 Walker E04D 13/076
2007/0114337 A1 * 5/2007 Rommelmann,
Jr. E04D 13/064
248/48.2
2008/0304908 A1 * 12/2008 Ko B28B 19/00
404/2
2011/0107537 A1 * 5/2011 Benson A47L 13/24
15/228

OTHER PUBLICATIONS

Prime-Line 3/8 in. Glass Door Bottom Seal, Home Depot, website
copyright 2016, <http://www.homedepot.com/p/Prime-Line-3-8-in-Glass-Door-Bottom-Seal-with-Clear-36-in-Fits-Frameless-Door-M-6258/202672812>, [site visited May 10, 2016 4:30:13 PM].*
Casabella; i Clean Screen and Detail Cleaner; <http://casabella.com/i-clean-screen-and-detail-cleaner/> (webpage); New York, U.S.;
Printed on Feb. 18, 2015.

* cited by examiner

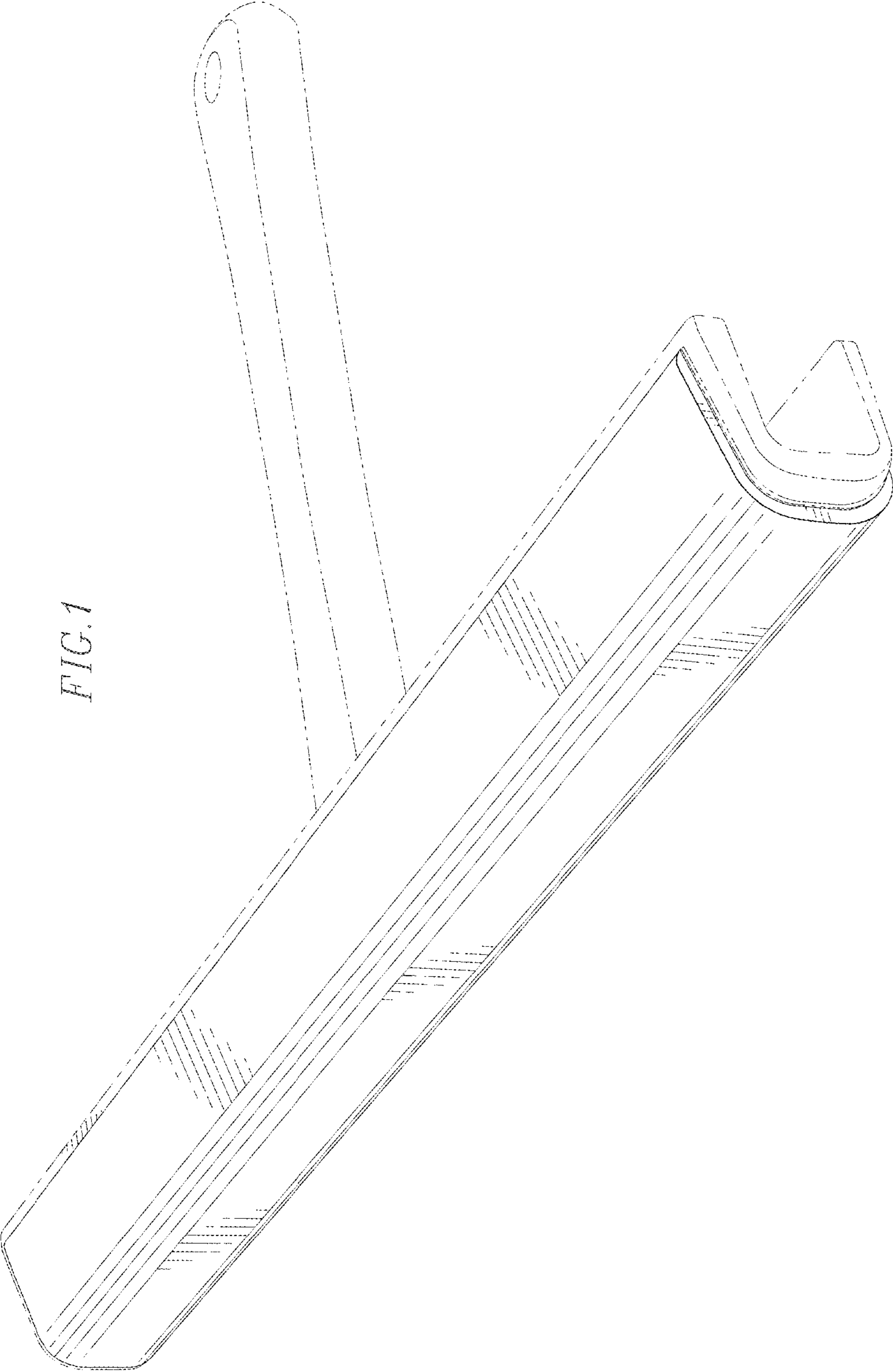
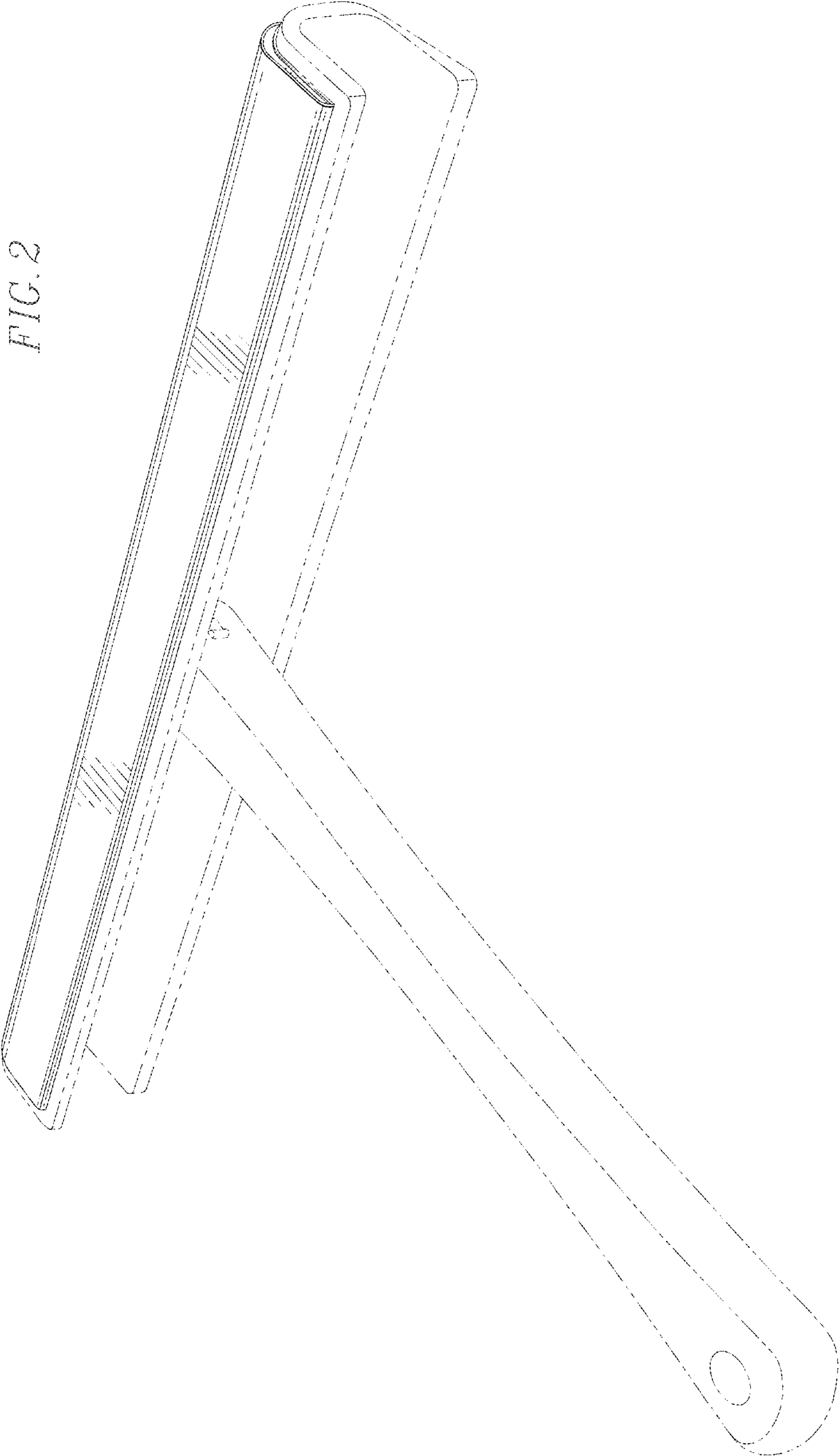


FIG. 1



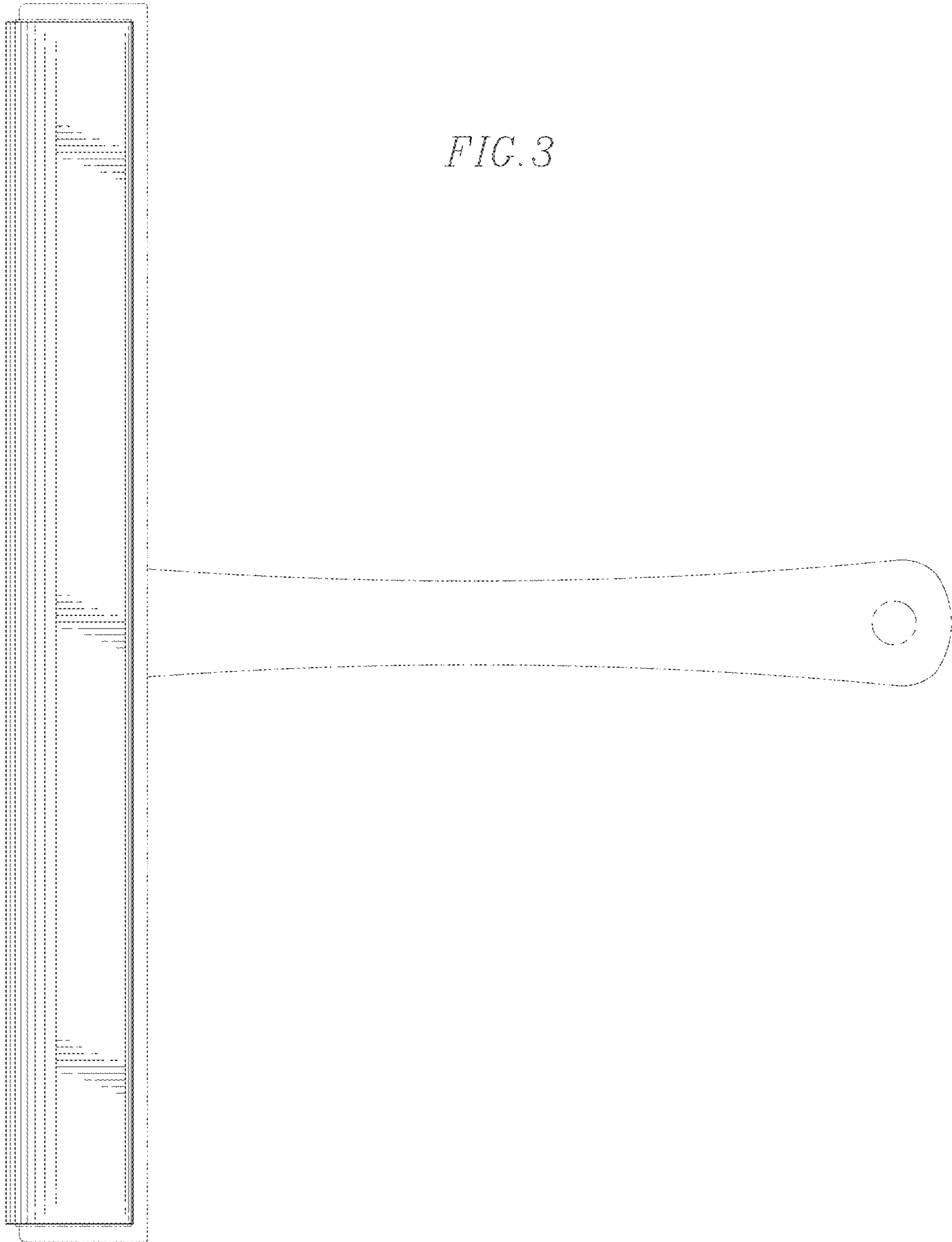


FIG. 4

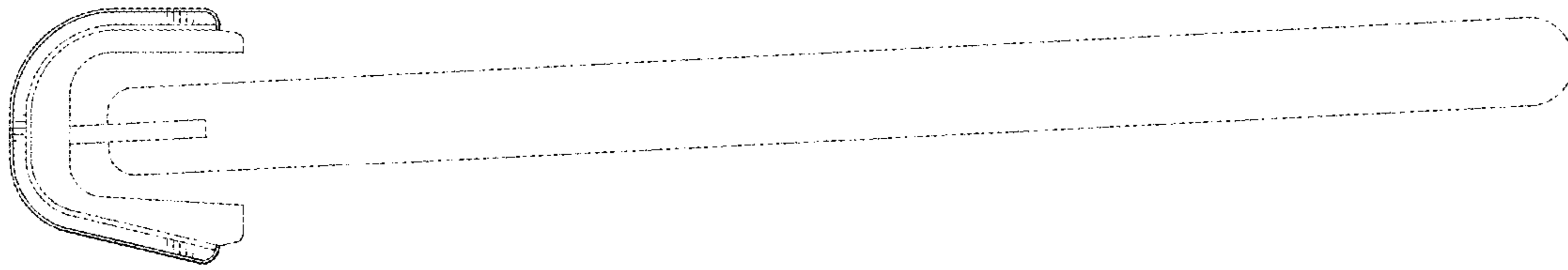
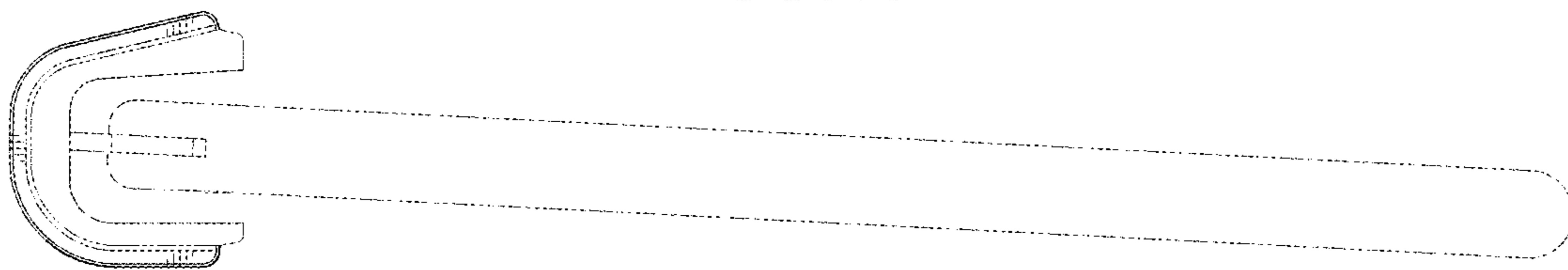


FIG. 6



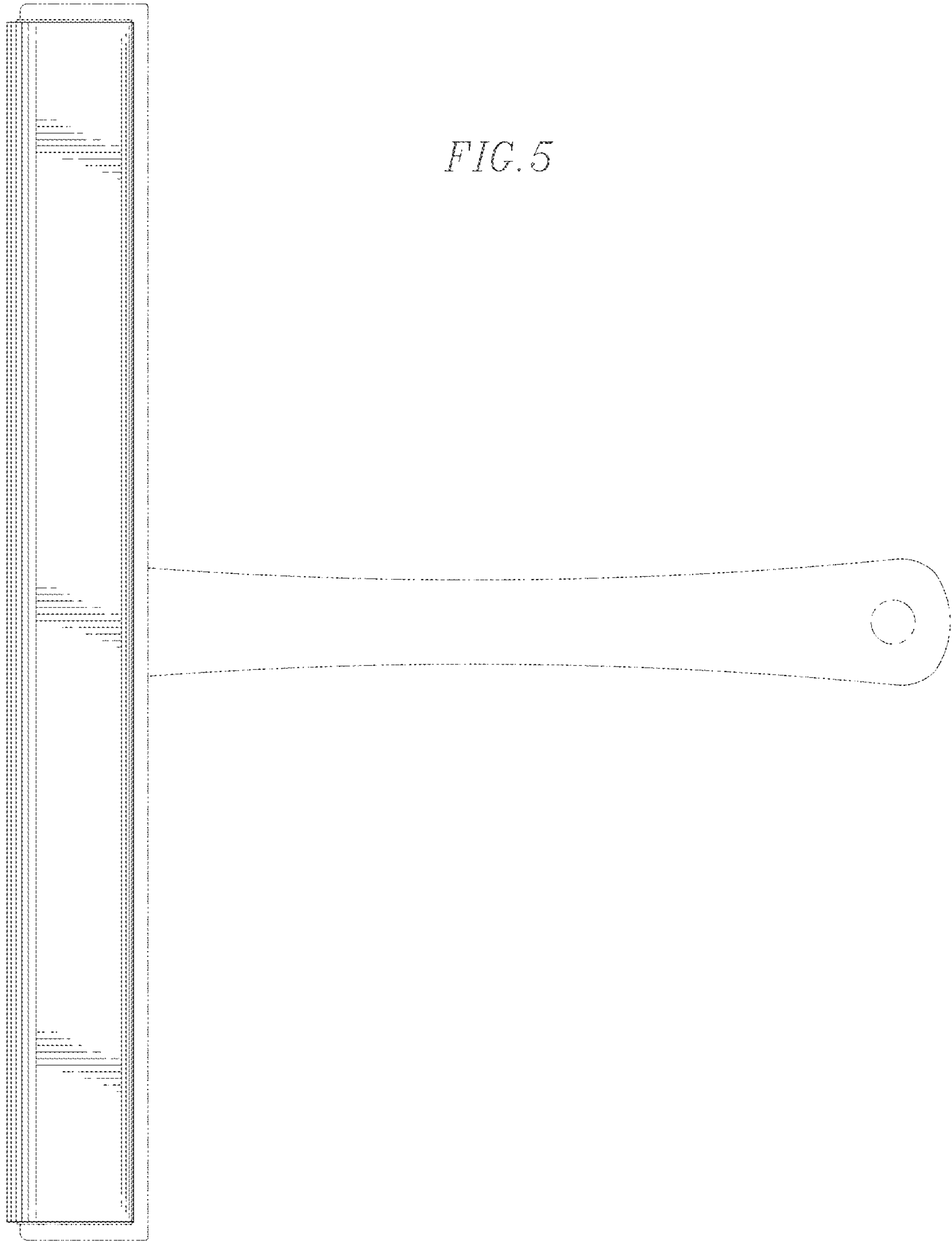


FIG. 5

FIG. 7

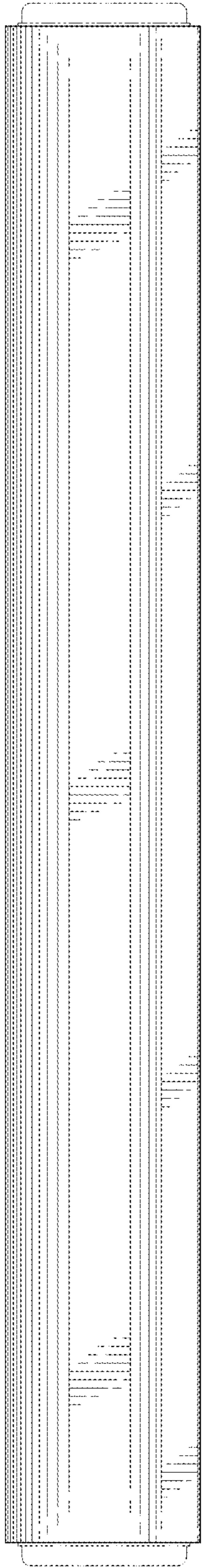


FIG. 8

