

US00D770114S

(12) **United States Design Patent**
Bian

(10) **Patent No.:** **US D770,114 S**

(45) **Date of Patent:** **** Oct. 25, 2016**

(54) **BRUSH FOR CLEANING PIPES**

(71) Applicant: **Ningbo Rotchi Business Co., Ltd.**,
Ningbo (CN)

(72) Inventor: **Yangchun Bian**, Ningbo (CN)

(73) Assignee: **NINGBO ROTCHI BUSINESS CO., LTD.**,
Ningbo (CN)

(**) Term: **14 Years**

(21) Appl. No.: **29/513,439**

(22) Filed: **Dec. 31, 2014**

(30) **Foreign Application Priority Data**

Aug. 29, 2014 (CN) 2014 3 0315679

(51) **LOC (10) Cl.** **08-99**

(52) **U.S. Cl.**
USPC **D32/35**

(58) **Field of Classification Search**
USPC D32/35, 40, 46, 49; D27/196;
15/104.03, 104.05, 104.061; 134/6
CPC B08B 9/00; B08B 9/02; B08B 9/027;
B08B 9/04; A24F 9/00; A24F 9/04; A24F
9/10
See application file for complete search history.

(56) **References Cited**

U.S. PATENT DOCUMENTS

- 1,912,525 A * 6/1933 Hotchkiss, Jr. B08B 9/045
15/104.33
- 2,170,997 A * 8/1939 Griffin B08B 9/0436
15/104.061
- 4,281,432 A * 8/1981 Saxon B08B 9/0557
15/104.061

- D274,562 S * 7/1984 Veal D27/196
- 5,784,745 A * 7/1998 Saxon B08B 9/0553
15/104.061
- 5,809,601 A * 9/1998 Rivera A46B 13/02
15/104.05
- 6,085,376 A * 7/2000 Antal B08B 9/0557
15/104.061
- 6,131,229 A * 10/2000 Lincuna E03C 1/302
15/104.05
- D458,426 S * 6/2002 Kovach D32/35
- 6,745,426 B1 * 6/2004 Knowles A46B 13/001
15/104.04
- 7,958,587 B1 * 6/2011 Hansen A46B 13/001
134/6
- 8,434,185 B1 * 5/2013 Beaver, Sr. B08B 9/045
15/104.05

* cited by examiner

Primary Examiner — Susan Bennett Hattan
Assistant Examiner — Rebecca Tsehaye
(74) *Attorney, Agent, or Firm* — Matthias Scholl, PC;
Matthias Scholl

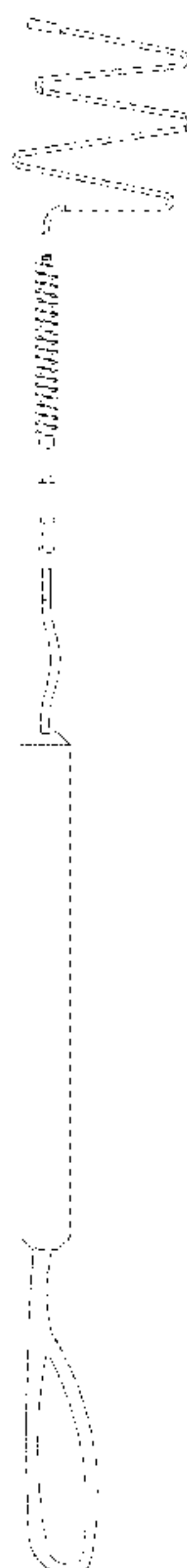
(57) **CLAIM**

The ornamental design for a brush for cleaning pipes, as shown and described.

DESCRIPTION

FIG. 1 is a front elevational view of a brush for cleaning pipes;
FIG. 2 is a rear elevational view thereof;
FIG. 3 is a left side elevational view thereof;
FIG. 4 is a right side elevational view thereof;
FIG. 5 is a top plan view thereof;
FIG. 6 is a bottom plan view thereof;
FIG. 7 is a perspective view thereof;
FIG. 8 is an enlarged view of FIG. 5; and,
FIG. 9 is an enlarged view of in FIG. 6.

1 Claim, 9 Drawing Sheets



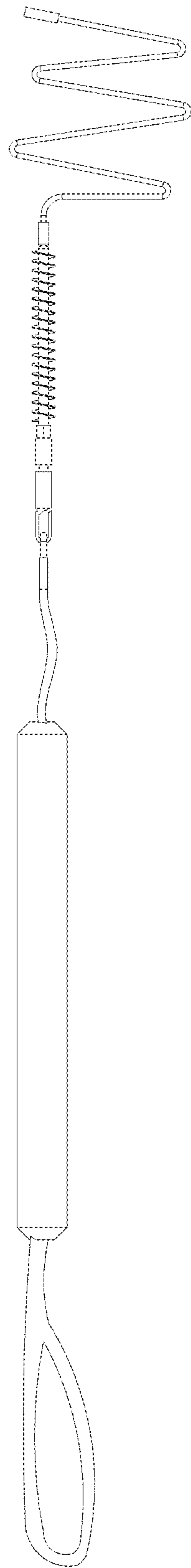


FIG. 1

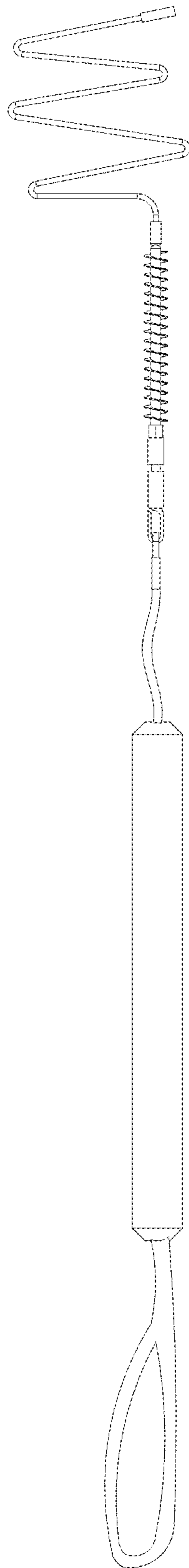


FIG. 2



FIG. 3

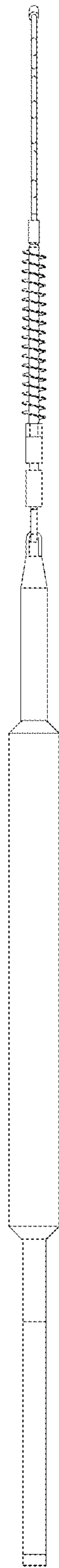


FIG. 4

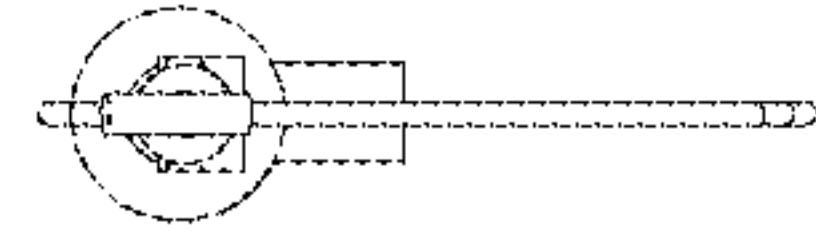


FIG. 5

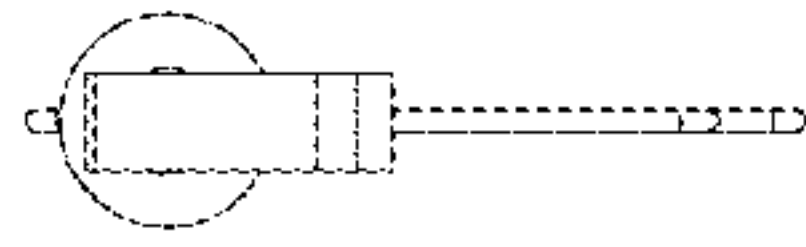


FIG. 6

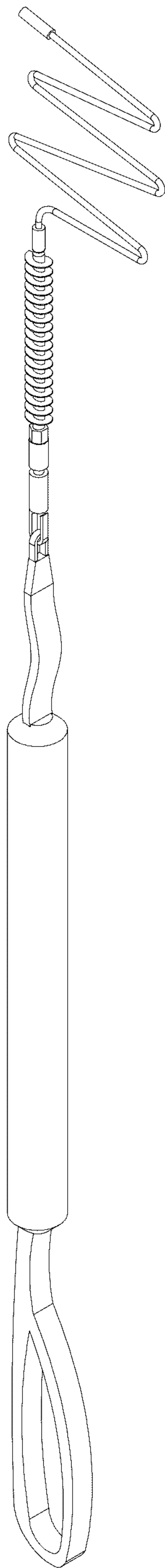


FIG. 7

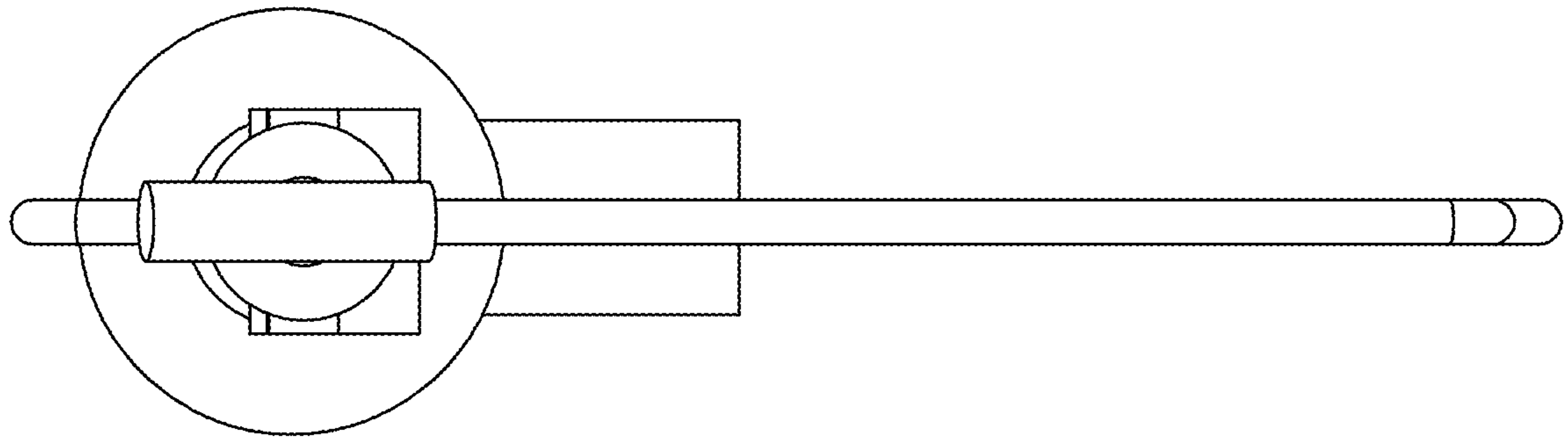


FIG. 8

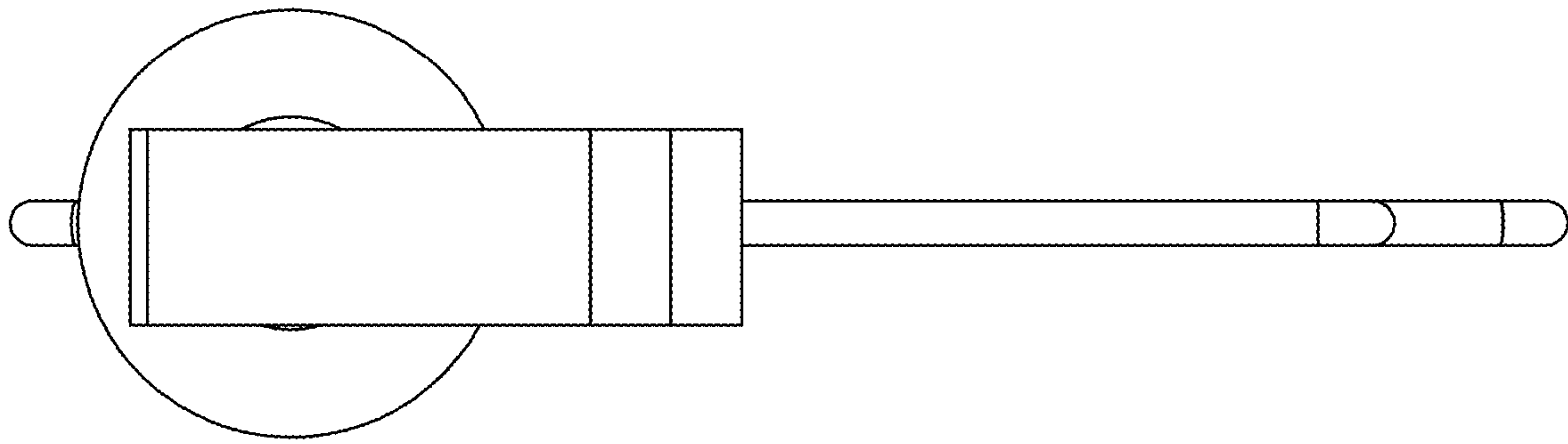


FIG. 9