



US00D770110S

(12) **United States Design Patent**
Okada et al.

(10) **Patent No.:** **US D770,110 S**

(45) **Date of Patent:** **** Oct. 25, 2016**

(54) **HEAD FOR A VACUUM CLEANER**

(71) Applicant: **Samsung Electronics Co., Ltd.**,
Suwon-si, Gyeonggi-do (KR)

(72) Inventors: **Norio Okada**, Yokohama (JP);
Hirohisa Miyazaki, Tokyo (JP);
Atsuhiko Yoneda, Warabi (JP);
Mitsuhiko Shigeri, Yokohama (JP);
Masato Suzuki, Saitama (JP)

(73) Assignee: **SAMSUNG ELECTRONICS CO., LTD.**,
Suwon-Si, Gyeonggi-Do (KR)

(**) Term: **15 Years**

(21) Appl. No.: **29/529,651**

(22) Filed: **Jun. 9, 2015**

(30) **Foreign Application Priority Data**

Dec. 11, 2014 (KR) 30-2014-0060501

(51) **LOC (10) Cl.** **15-05**

(52) **U.S. Cl.**
USPC **D32/32**

(58) **Field of Classification Search**
USPC D32/25, 31-33
CPC A47L 9/02; A47L 9/06; A47L 5/28;
A47L 5/24; A47L 11/4044; E04H 4/1654;
E04H 4/34

See application file for complete search history.

(56) **References Cited**

U.S. PATENT DOCUMENTS

D457,696 S *	5/2002	Worwag	D32/32
D477,446 S	7/2003	Kalman		
D507,854 S *	7/2005	Kim	D32/32
D518,932 S *	4/2006	Maruyama	D32/32
D541,499 S *	4/2007	Proud	D32/32
D565,262 S *	3/2008	Dyson	D32/32

D565,264 S *	3/2008	Buschi	D32/32
D621,564 S *	8/2010	Kaffenberger	D32/32
D643,169 S *	8/2011	Calvert	D32/33
D681,897 S *	5/2013	Bruneel	D32/33
D698,510 S *	1/2014	Chu	D32/32
D706,504 S *	6/2014	Park	D32/33
D741,560 S *	10/2015	Bennett	D32/32
2003/0145427 A1 *	8/2003	Murphy	A47L 9/02 15/415.1
2016/0088987 A1 *	3/2016	Hwang	A47L 9/0054 15/415.1

FOREIGN PATENT DOCUMENTS

FR	022653-0001	9/2002
KR	30-0628010	1/2012

OTHER PUBLICATIONS

<http://www.design-moderne.com/equate-vacuum-cleaner-by-rich-park/>.

English translation of Document of KR 30-0628010.

* cited by examiner

Primary Examiner — Ruth McInroy

(74) *Attorney, Agent, or Firm* — Ladas & Parry LLP

(57) **CLAIM**

We claim the ornamental design for a head for a vacuum cleaner, as shown and described.

DESCRIPTION

FIG. 1 is a front perspective view of a head for a vacuum cleaner showing our new design;

FIG. 2 is a front elevational view thereof;

FIG. 3 is a rear elevational view thereof;

FIG. 4 is a left-side elevational view thereof;

FIG. 5 is a right-side elevational view thereof;

FIG. 6 is a top view plan thereof; and,

FIG. 7 is a bottom plan view thereof.

1 Claim, 4 Drawing Sheets

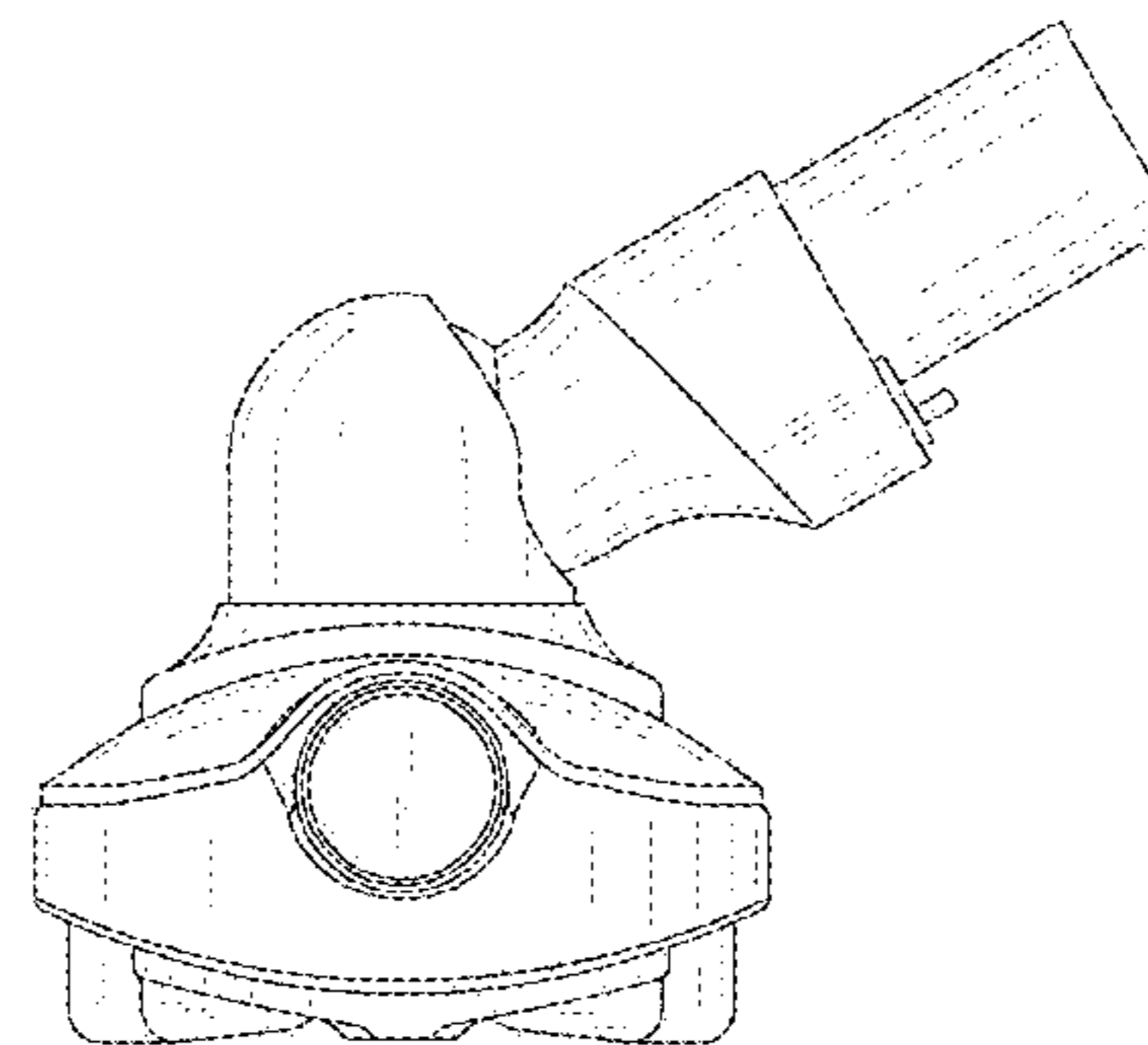
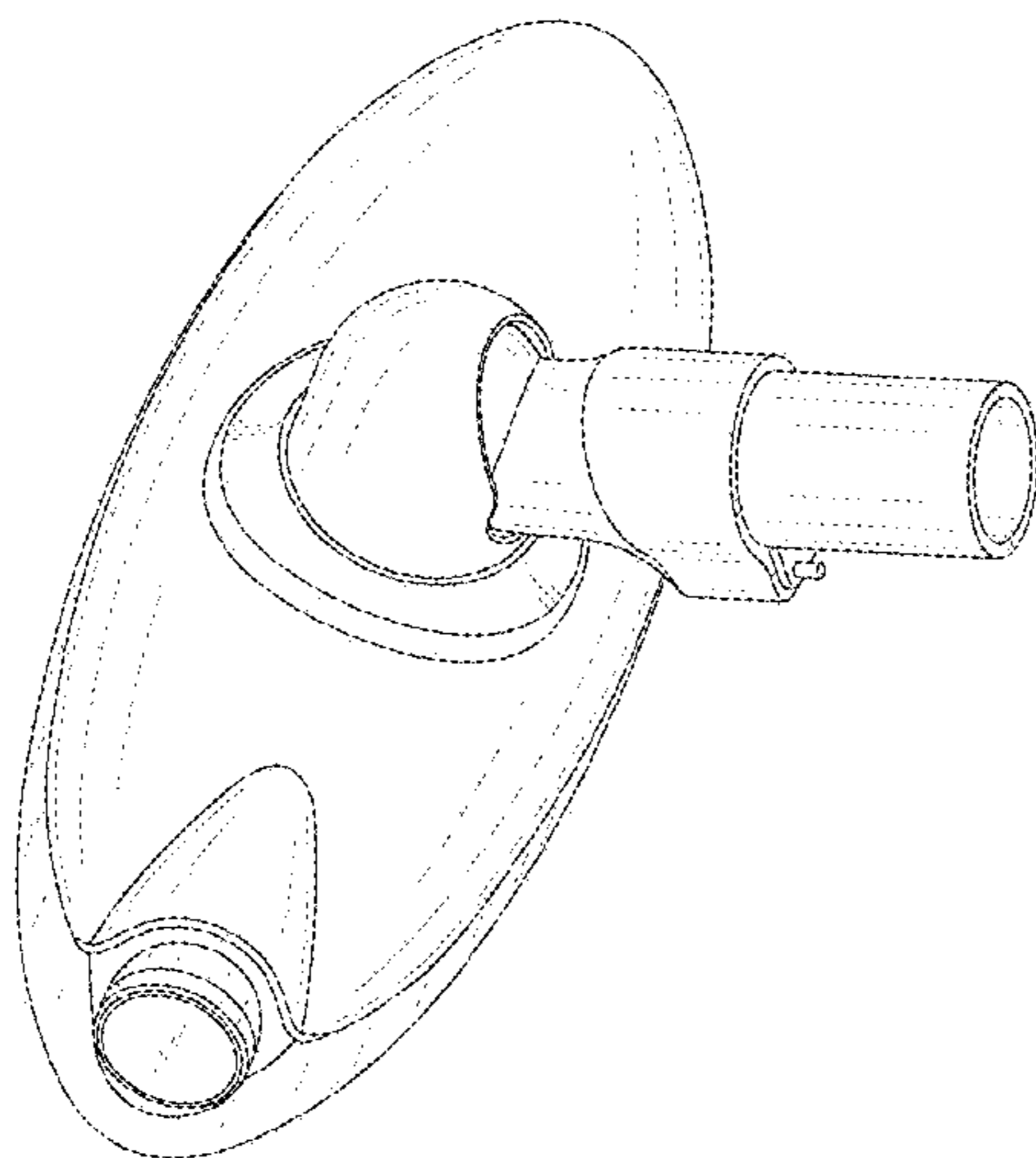


FIG. 1

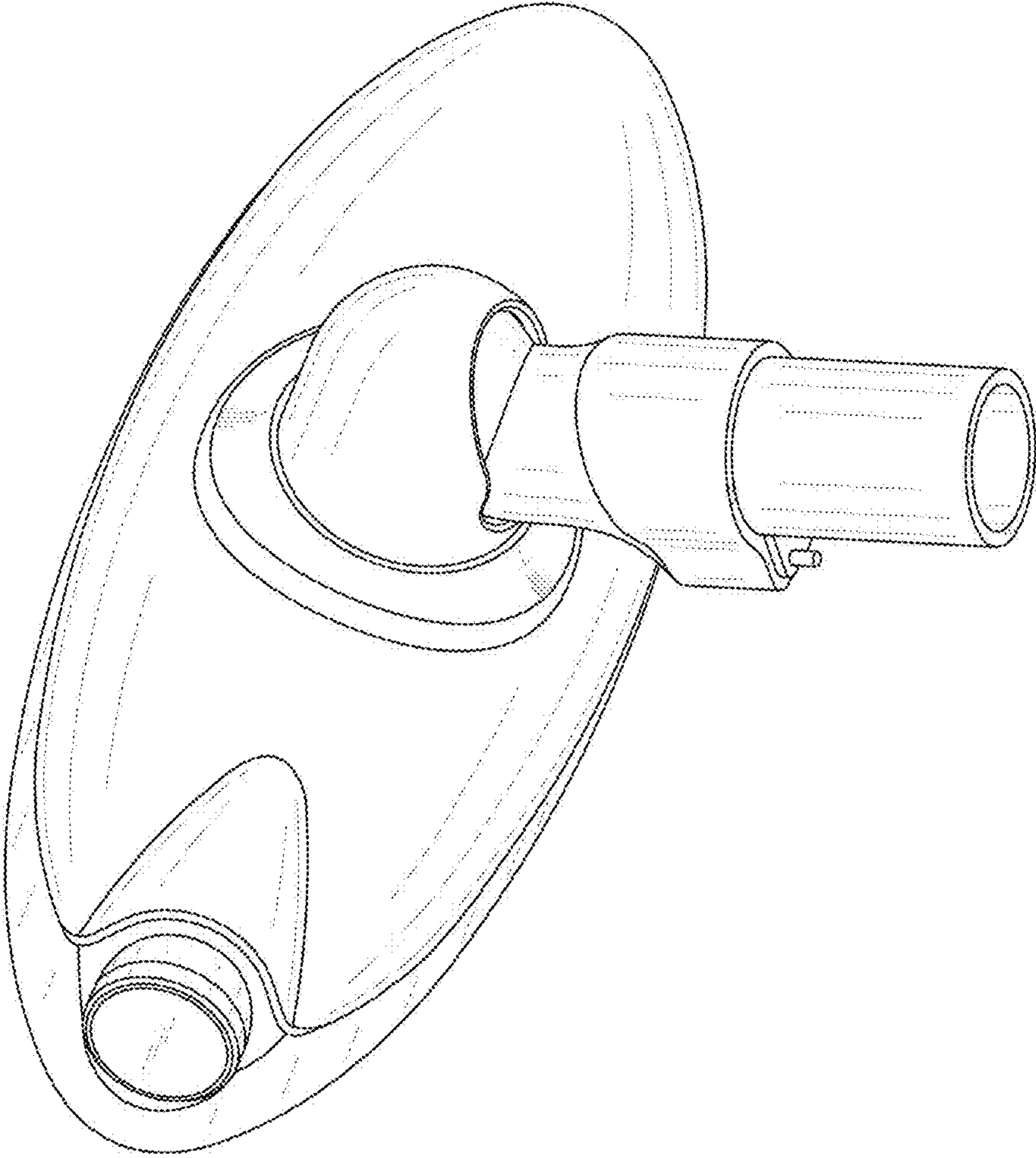


FIG.2

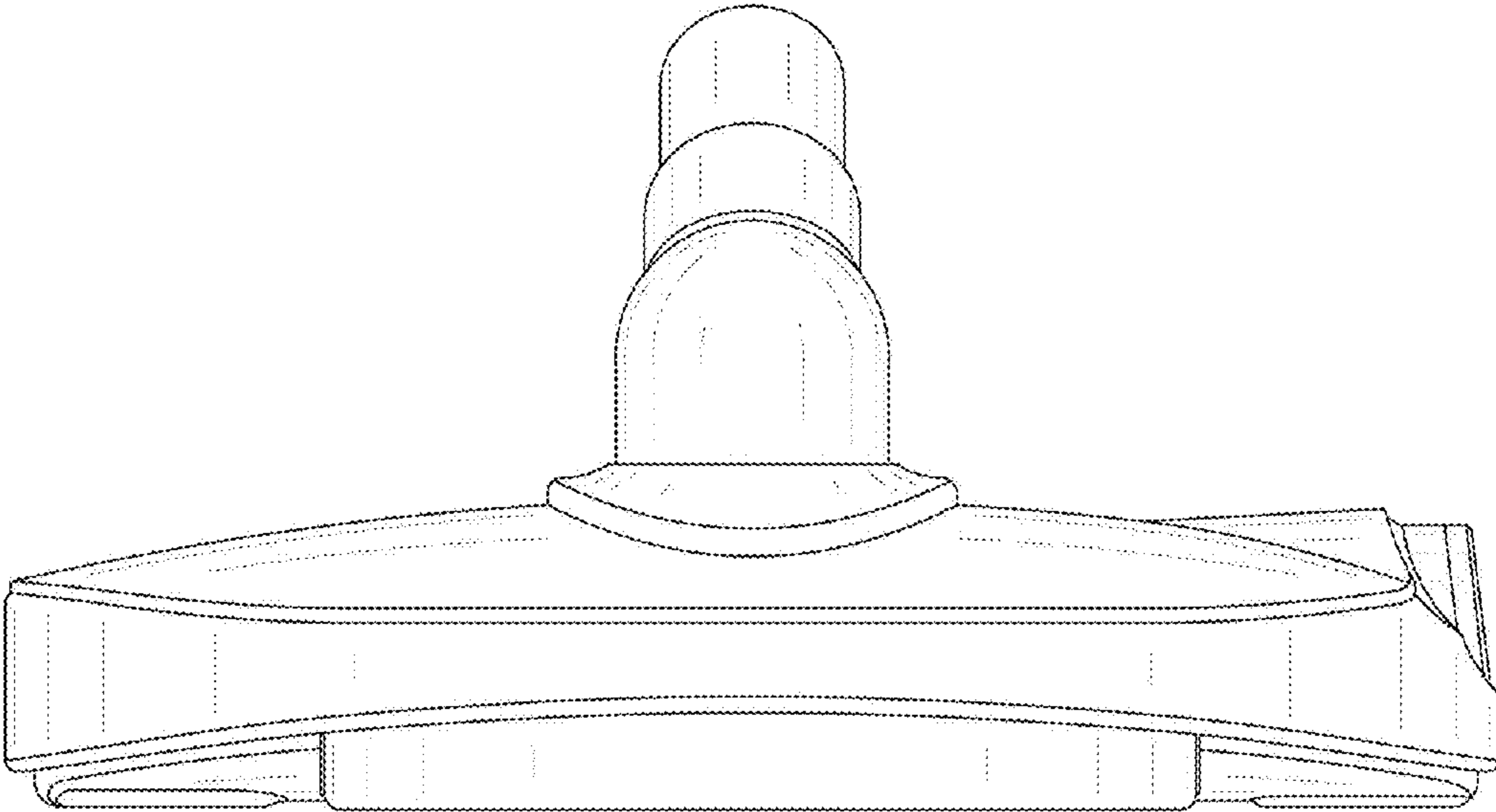


FIG.3

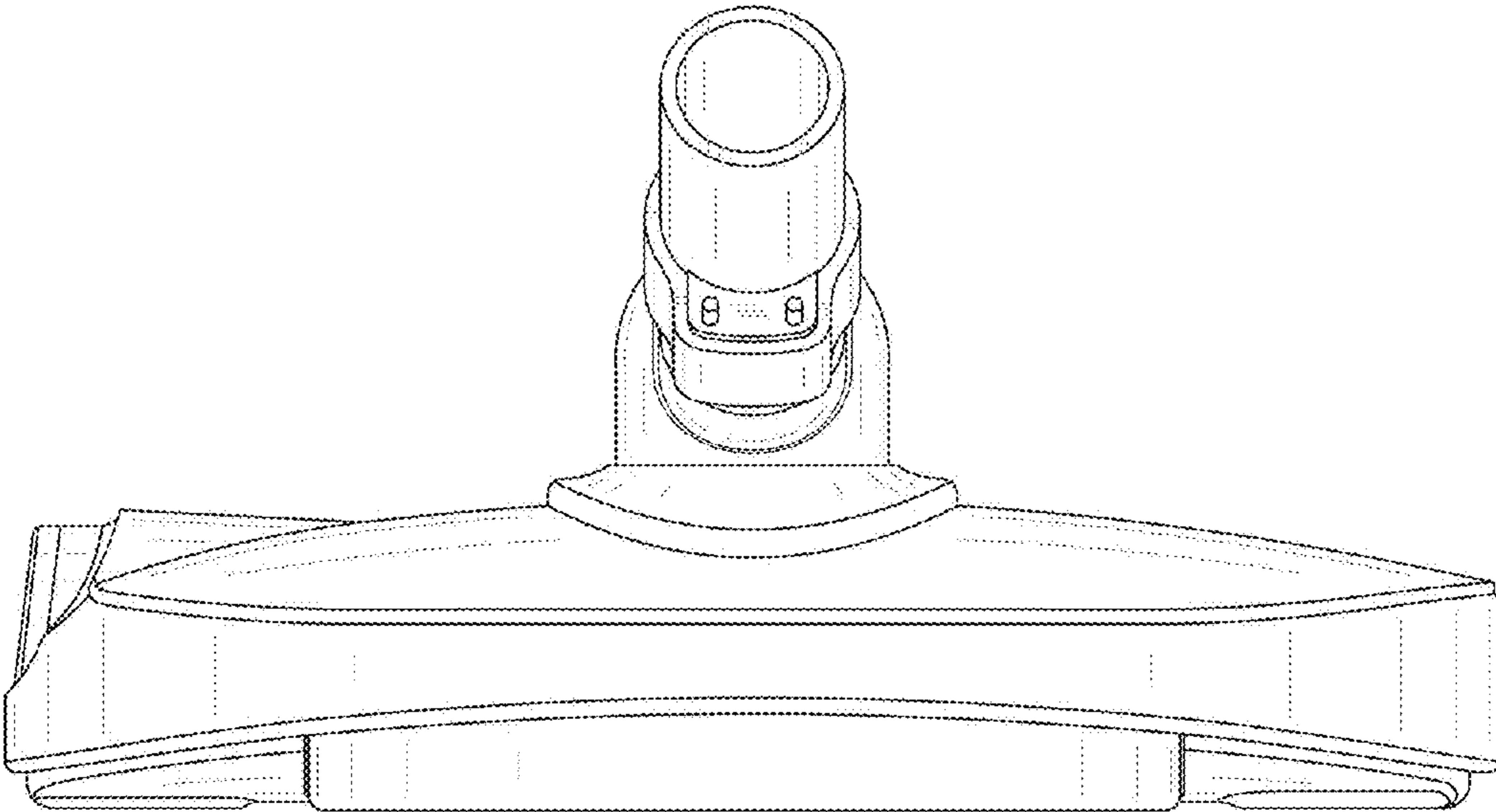


FIG.4

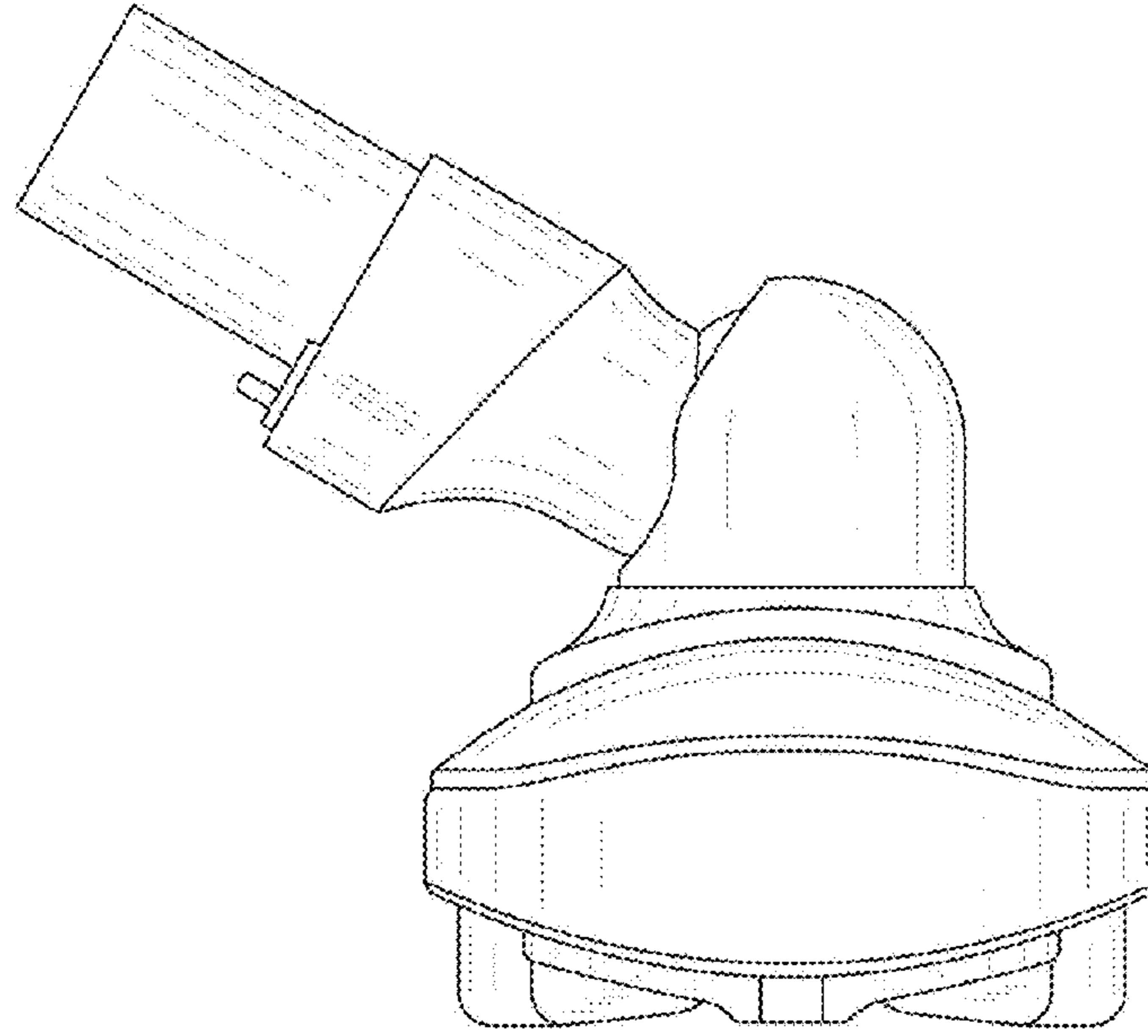


FIG.5

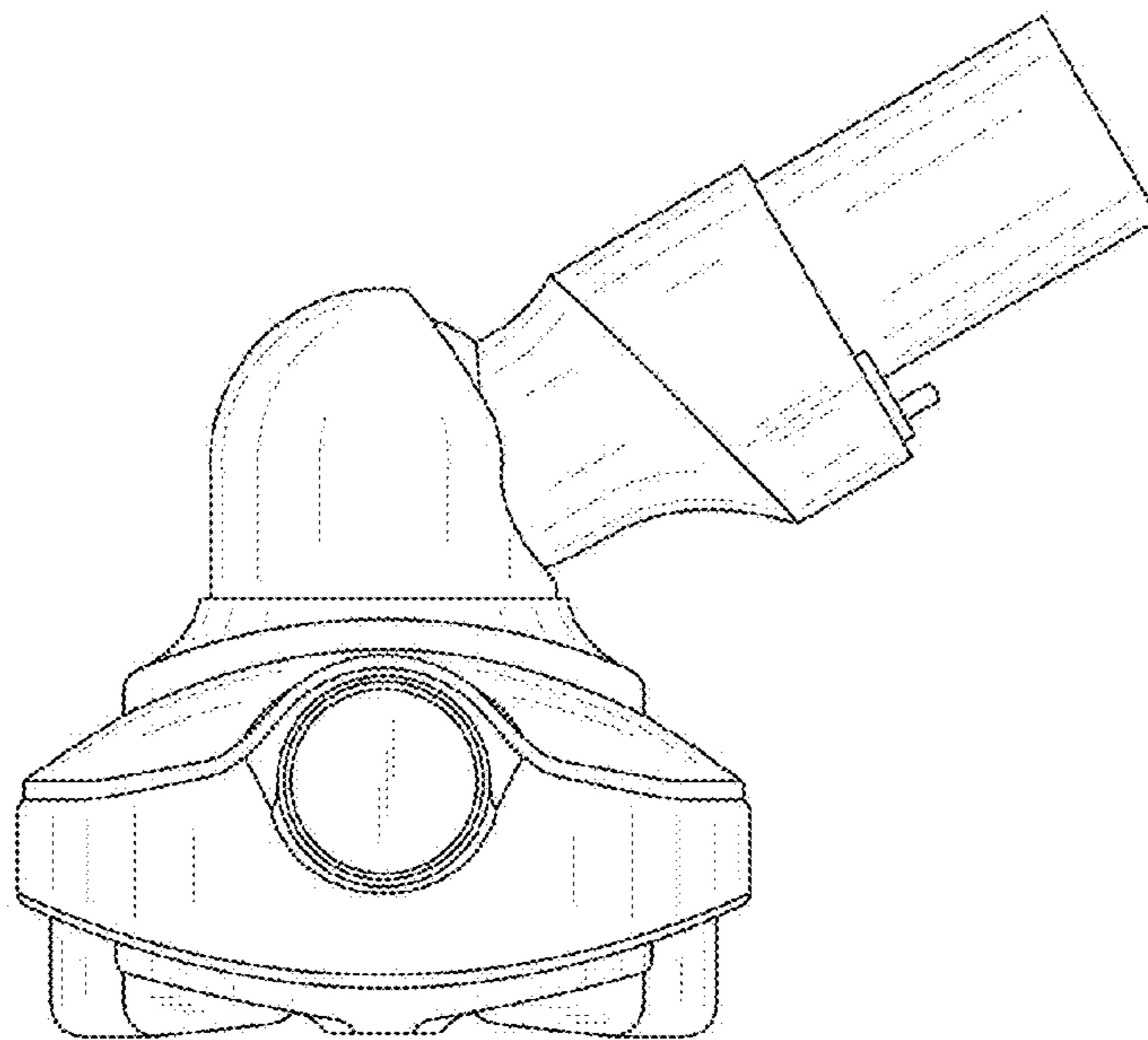


FIG.6

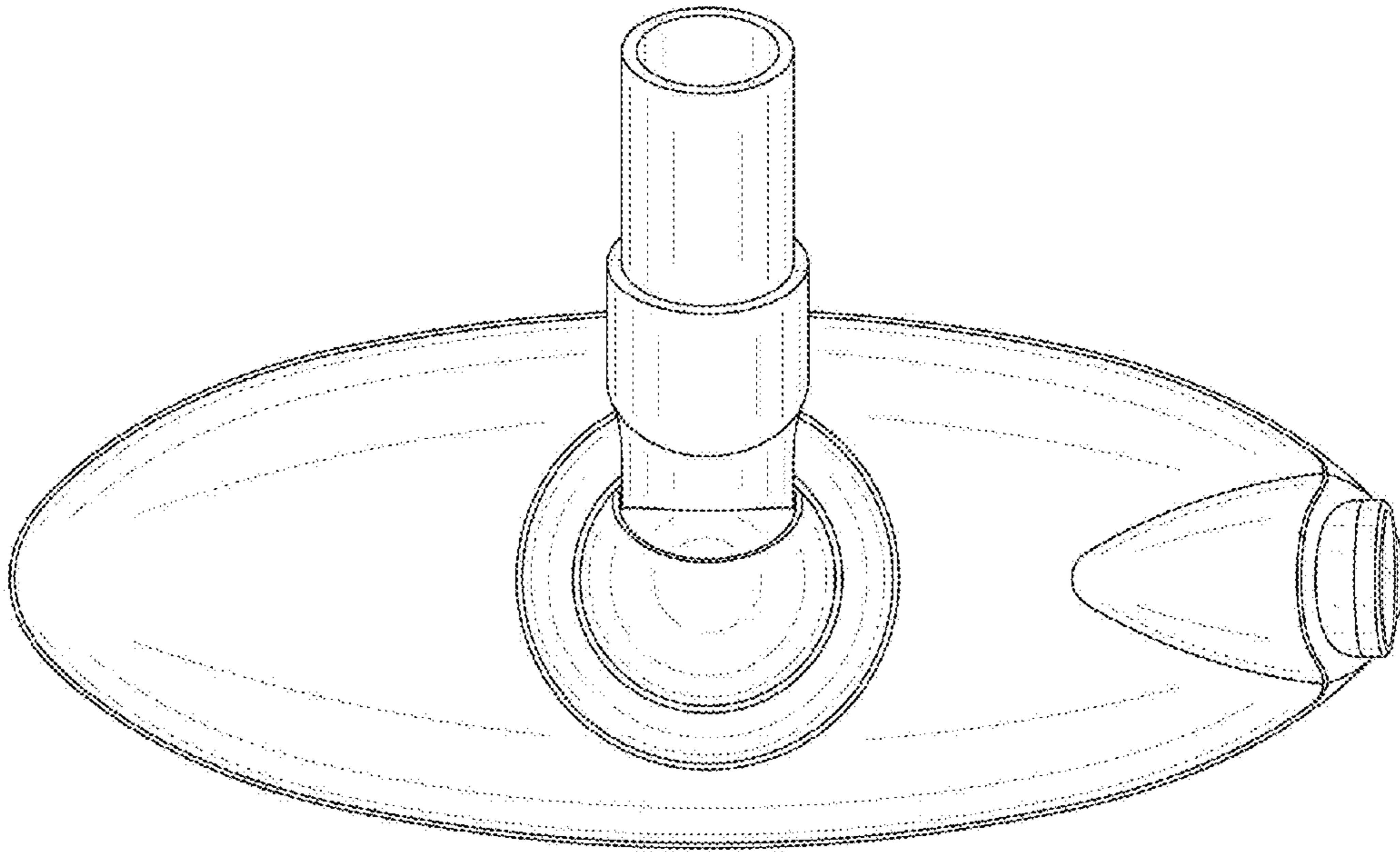


FIG.7

