



US00D770109S

(12) **United States Design Patent**
Chu, Jr. et al.

(10) **Patent No.:** **US D770,109 S**
(45) **Date of Patent:** **** Oct. 25, 2016**

(54) **VACUUM CLEANER FOOT**

(71) Applicant: **BISSELL Homecare, Inc.**, Grand Rapids, MI (US)

(72) Inventors: **Lawrence Chun-Hei Chu, Jr.**, Shanghai (CN); **Christopher John Reinke**, Saint Joseph, MI (US); **Jing Yang**, Zhongshan (CN)

(73) Assignee: **BISSELL Homecare, Inc.**, Grand Rapids, MI (US)

(**) Term: **14 Years**

(21) Appl. No.: **29/500,077**

(22) Filed: **Aug. 21, 2014**

(51) **LOC (10) Cl.** **15-05**

(52) **U.S. Cl.**
USPC **D32/32**

(58) **Field of Classification Search**
USPC D32/25, 31-33
CPC A47L 9/02; A47L 9/06; A47L 5/28;
A47L 5/24; A47L 11/4044; E04H 4/1654;
E04H 4/34
See application file for complete search history.

(56) **References Cited**

U.S. PATENT DOCUMENTS

D381,780 S * 7/1997 Summers D32/33
D443,120 S * 5/2001 Choi D32/32
D456,967 S * 5/2002 Santiago D32/32

D457,696 S * 5/2002 Worwag D32/32
D473,687 S * 4/2003 Kaffenberger D32/33
D487,828 S * 3/2004 Iike D32/32
D507,854 S * 7/2005 Kim D32/32
D518,932 S * 4/2006 Maruyama D32/32
D524,002 S * 6/2006 Worwag D32/32
D594,612 S * 6/2009 Umeda D32/32
D655,468 S * 3/2012 Karsan D32/33
D672,103 S * 12/2012 Dyson D32/32
D706,504 S * 6/2014 Park D32/33
D720,104 S * 12/2014 Santiago D32/32
D740,507 S * 10/2015 Chu D32/32
2016/0058255 A1 * 3/2016 Kim A47L 9/02
15/327.1

* cited by examiner

Primary Examiner — Ruth McInroy

(74) *Attorney, Agent, or Firm* — McGarry Bair PC

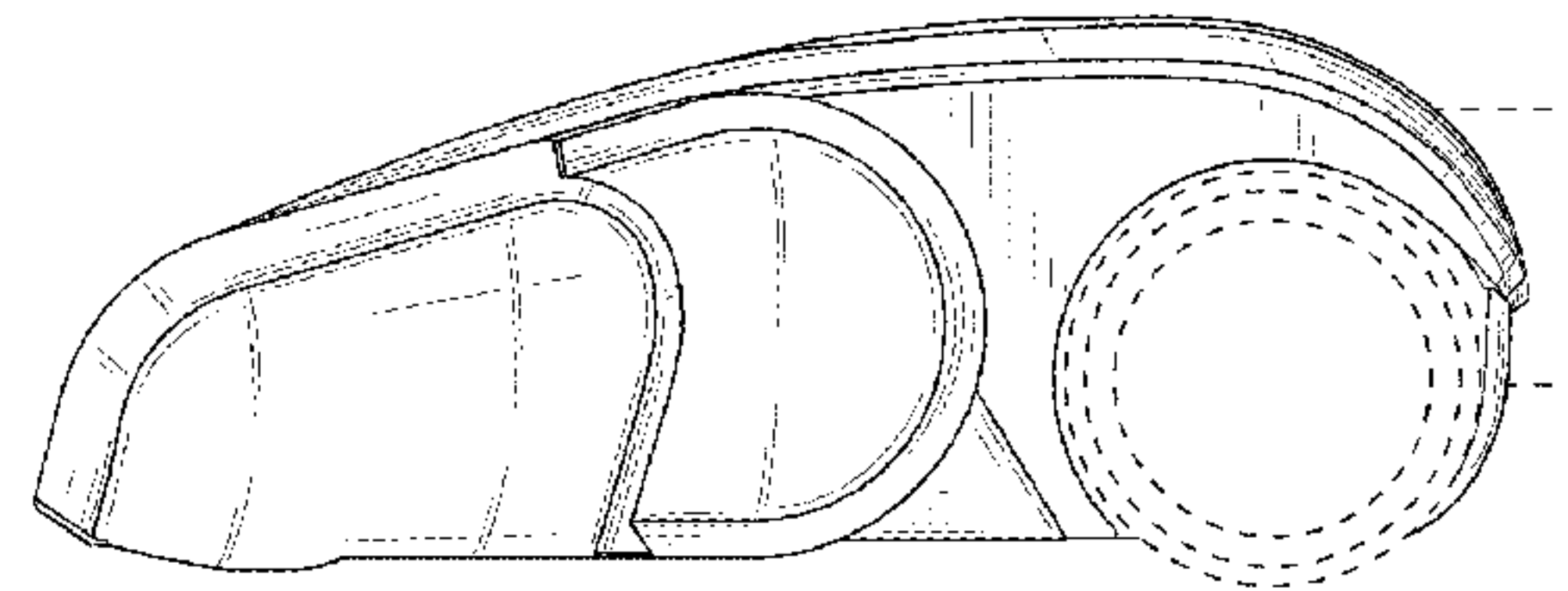
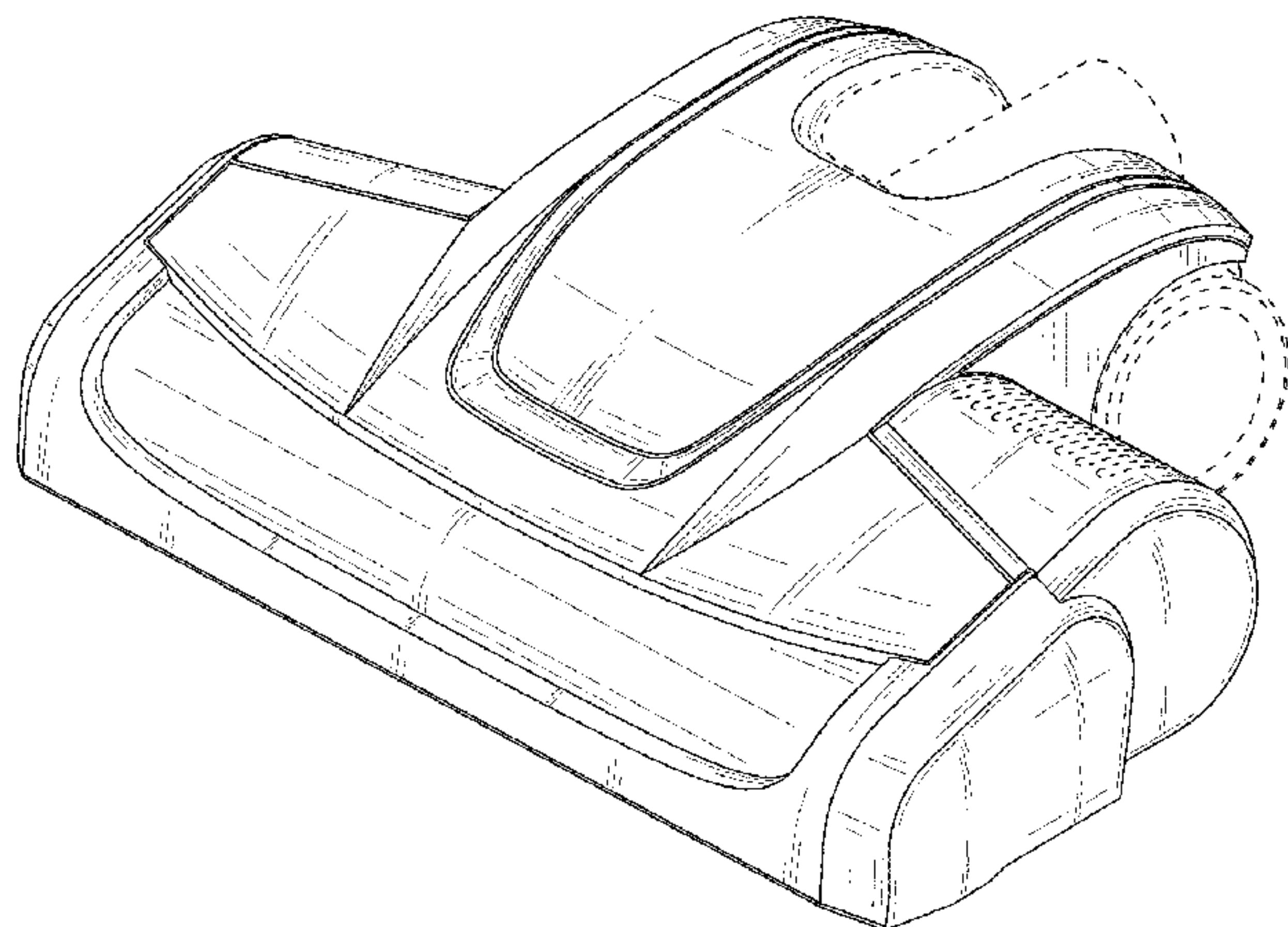
(57) **CLAIM**

The ornamental design for a vacuum cleaner foot, as shown and described.

DESCRIPTION

FIG. 1 is a front and right-side perspective view of a vacuum cleaner foot showing our new design;
FIG. 2 is a front view thereof;
FIG. 3 is a rear view thereof;
FIG. 4 is a left side view thereof;
FIG. 5 is a right side view thereof; and,
FIG. 6 is a top view thereof.
The details shown in broken lines form no part of the claimed design.

1 Claim, 4 Drawing Sheets



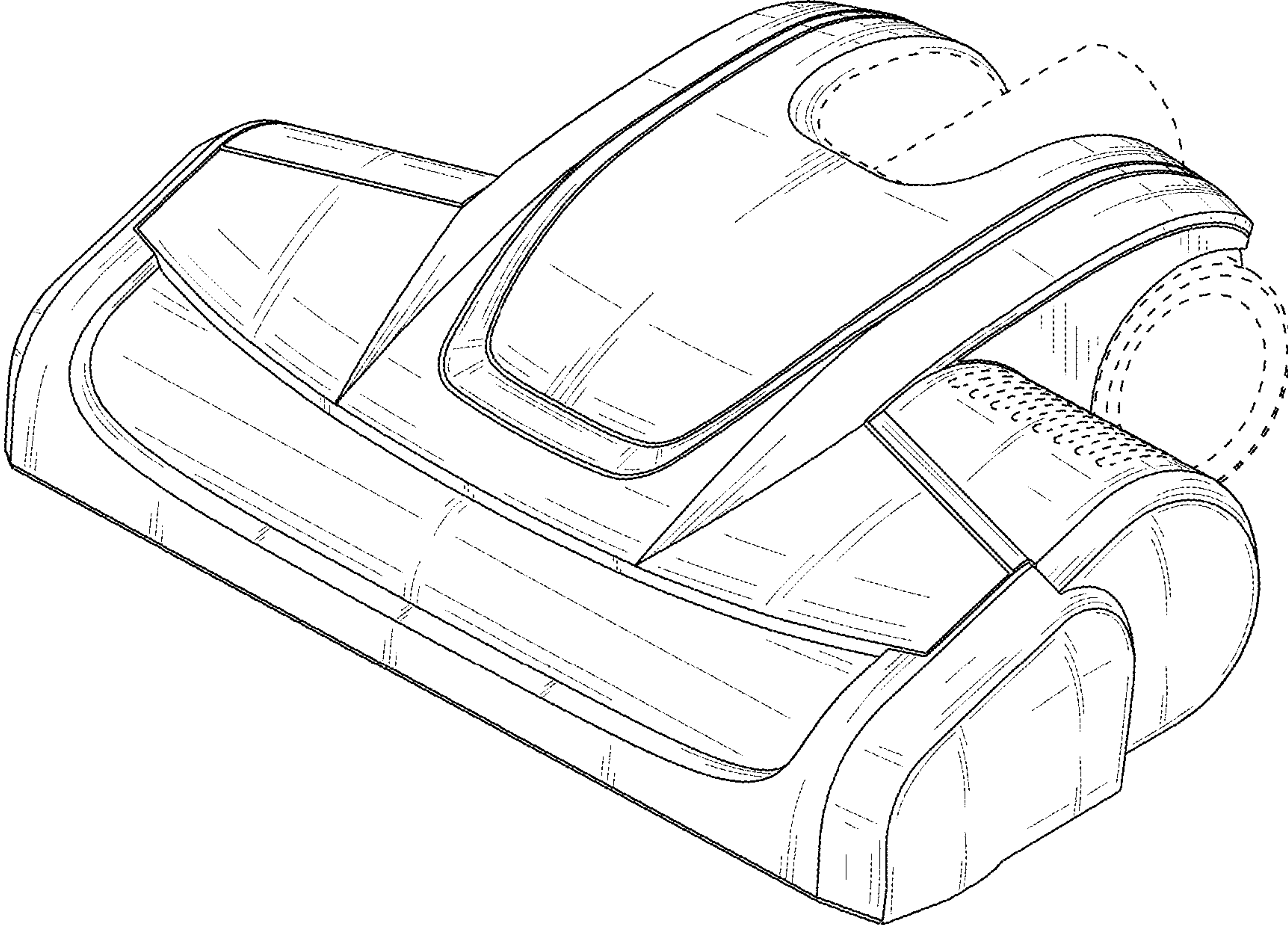


FIG. 1

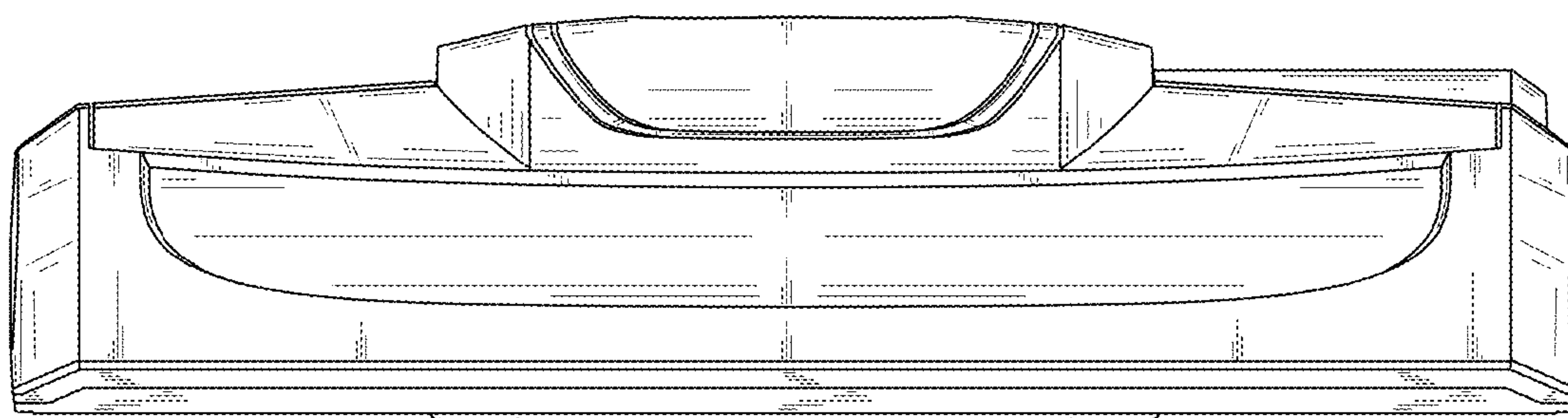


FIG. 2

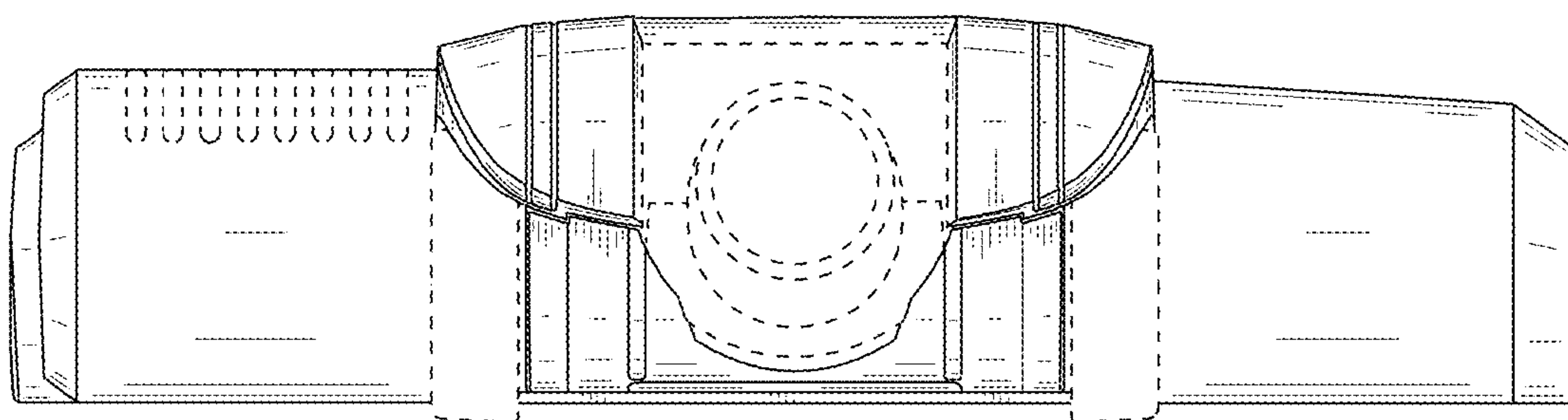


FIG. 3

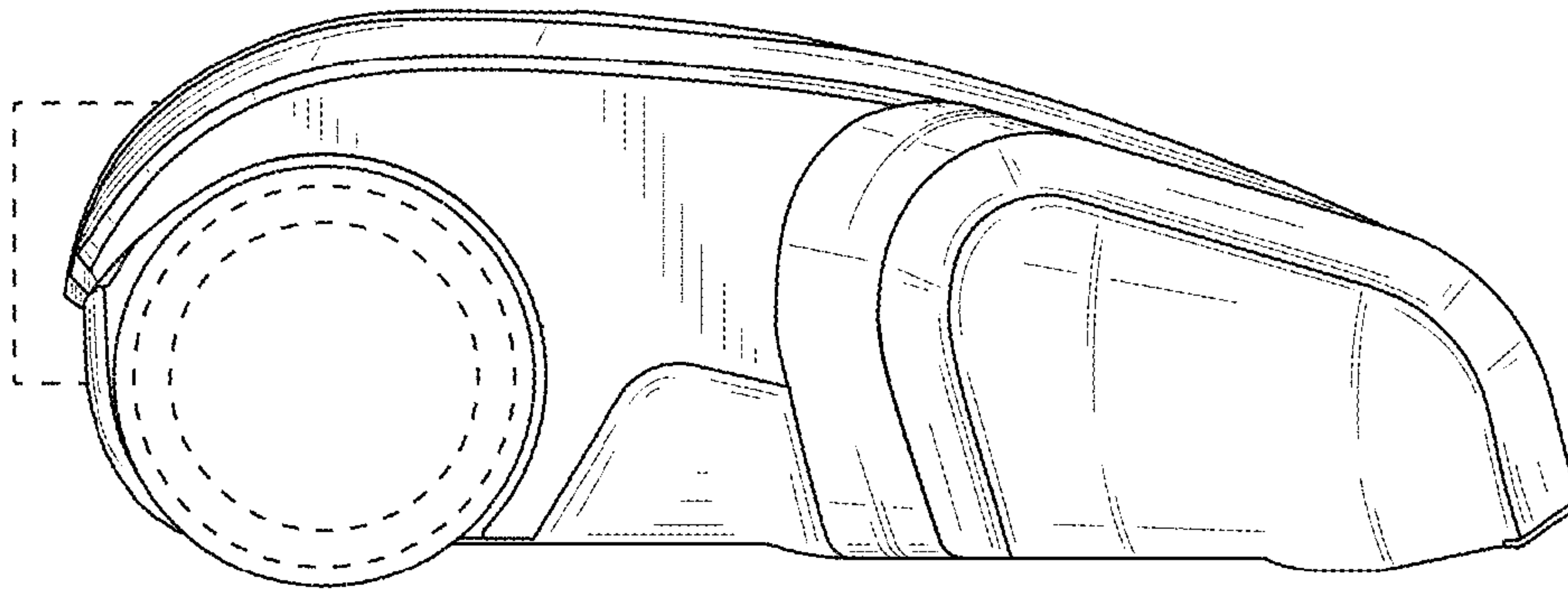


FIG. 4

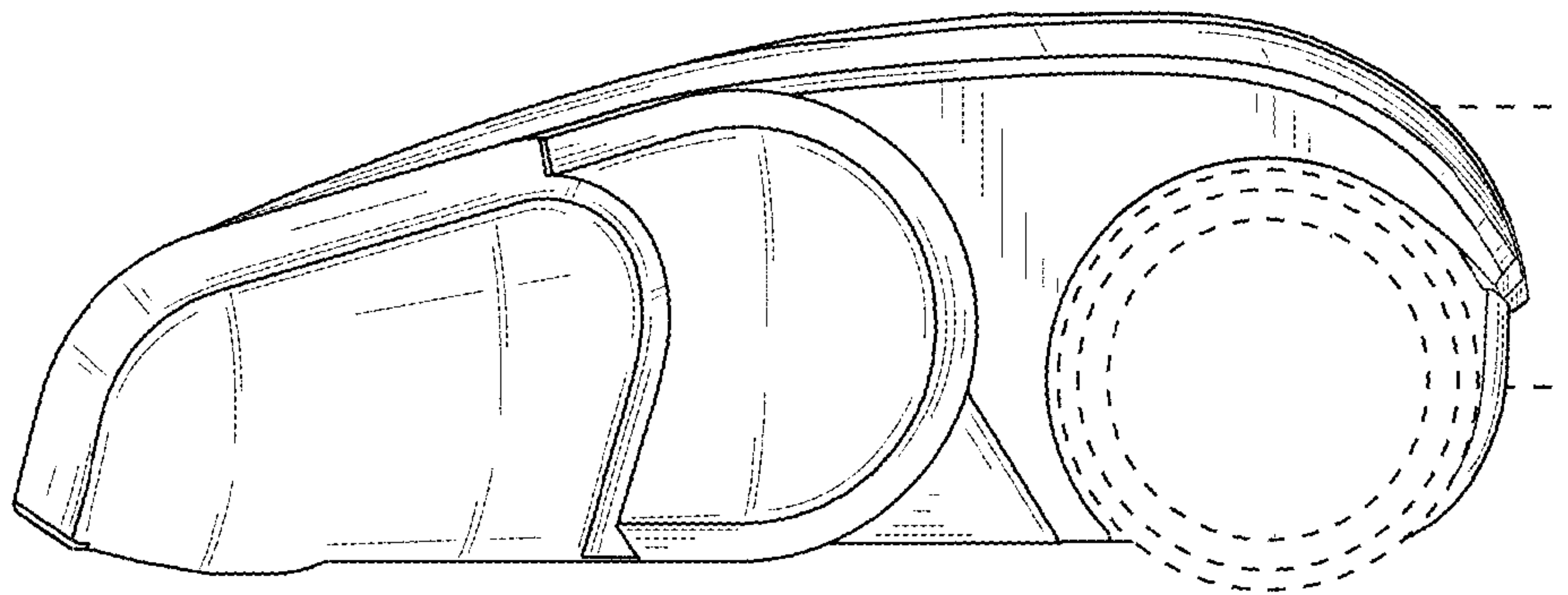


FIG. 5

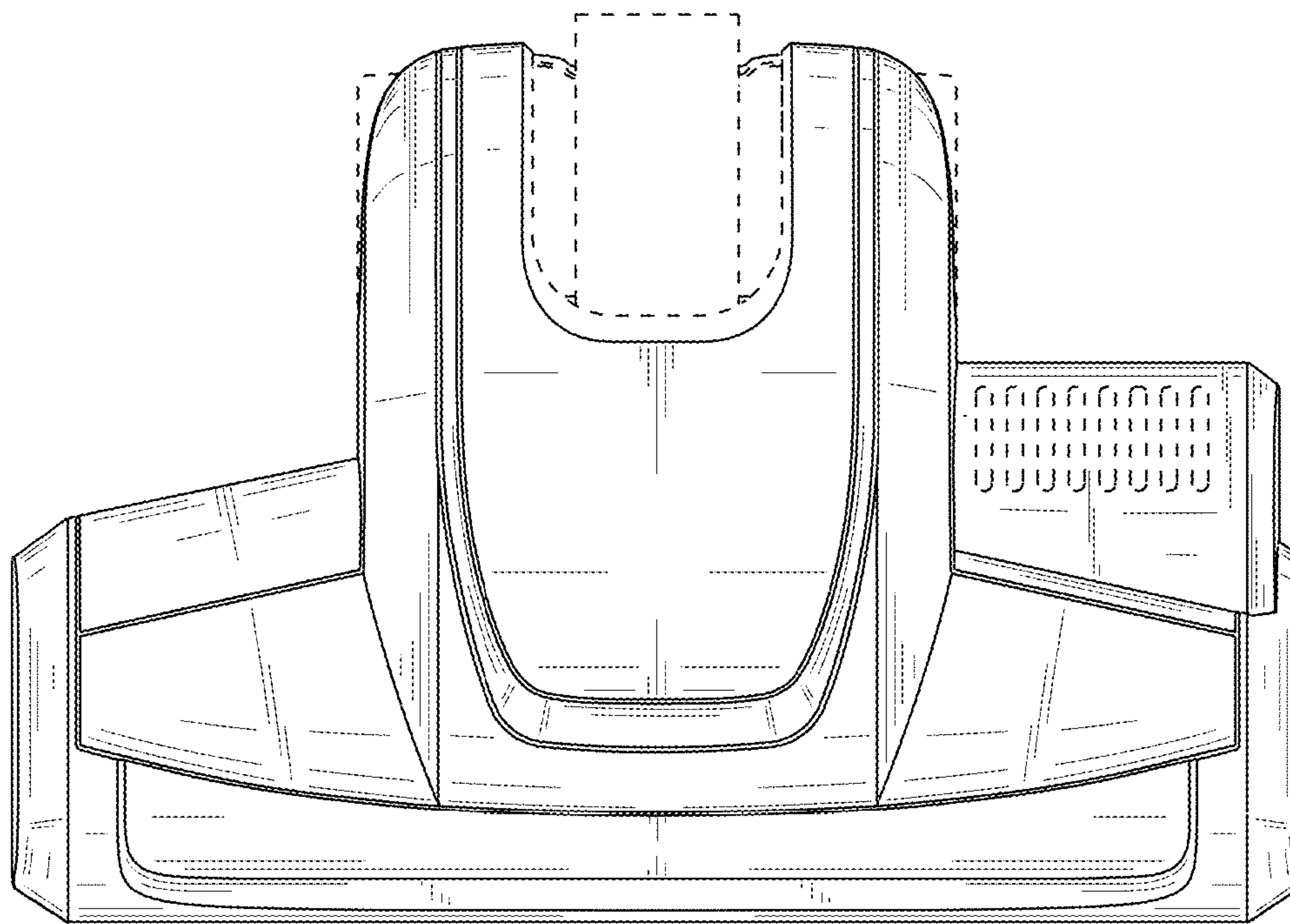


FIG. 6