



US00D770108S

(12) **United States Design Patent**
Palladino et al.

(10) **Patent No.:** **US D770,108 S**

(45) **Date of Patent:** **** Oct. 25, 2016**

(54) **VACUUM ATTACHMENT**

(71) Applicant: **SharkNinja Operating LLC**, Newton, MA (US)

(72) Inventors: **Gary Palladino**, Somerville, MA (US);
Brett Andler, Needham, MA (US);
Charlie Cai, WuHan (CN)

(73) Assignee: **SharkNinja Operating LLC**, Newton, MA (US)

(**) Term: **14 Years**

(21) Appl. No.: **29/495,318**

(22) Filed: **Jun. 30, 2014**

(51) **LOC (10) Cl.** **15-05**

(52) **U.S. Cl.**
USPC **D32/32**

(58) **Field of Classification Search**
USPC D32/22, 31-34
CPC A47L 9/02; A47L 9/06; A47L 9/325;
A47L 9/04; A47L 5/34; A47L 11/4044;
A47L 7/0009

See application file for complete search history.

(56) **References Cited**

U.S. PATENT DOCUMENTS

D381,780 S *	7/1997	Summers	D32/33
D456,103 S *	4/2002	Shin	D32/32
D462,816 S *	9/2002	Rosa	D32/32
D507,854 S *	7/2005	Kim	D32/32
D563,615 S *	3/2008	Roschi	D32/32
D580,611 S *	11/2008	Roschi	D32/33
D594,612 S *	6/2009	Umeda	D32/32
D599,515 S *	9/2009	Davies	D32/32
D619,315 S *	7/2010	Ayers	D32/32

D680,699 S *	4/2013	Okabe	D32/33
D681,899 S	5/2013	Bilger et al.		
D686,379 S *	7/2013	Kim	D32/32
D698,510 S *	1/2014	Chu	D32/32
D703,402 S *	4/2014	Thorne	D32/32
2012/0079678 A1 *	4/2012	Spinelli	A47L 9/02 15/383

FOREIGN PATENT DOCUMENTS

JP 1435110 S 3/2012

OTHER PUBLICATIONS

Examiner Notice from Japanese Design No. 2015-000045 dated Sep. 8, 2015.

* cited by examiner

Primary Examiner — Ruth McInroy

(74) *Attorney, Agent, or Firm* — Grossman Tucker Perreault & Pfleger, PLLC

(57) **CLAIM**

The ornamental design for a vacuum attachment, as shown and described.

DESCRIPTION

FIG. 1 is a front perspective view of a vacuum attachment showing our new design;

FIG. 2 is a front view thereof;

FIG. 3 is a rear view thereof;

FIG. 4 is a right side view thereof;

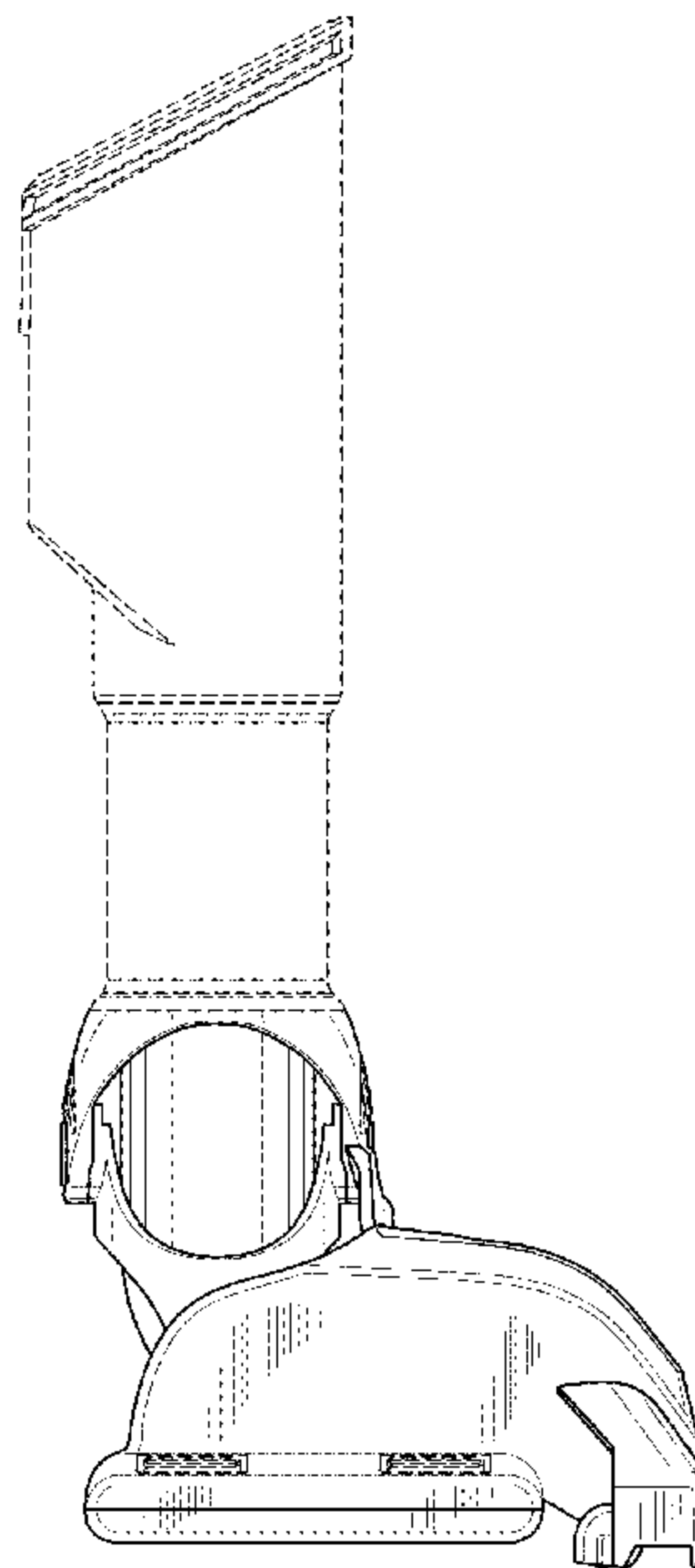
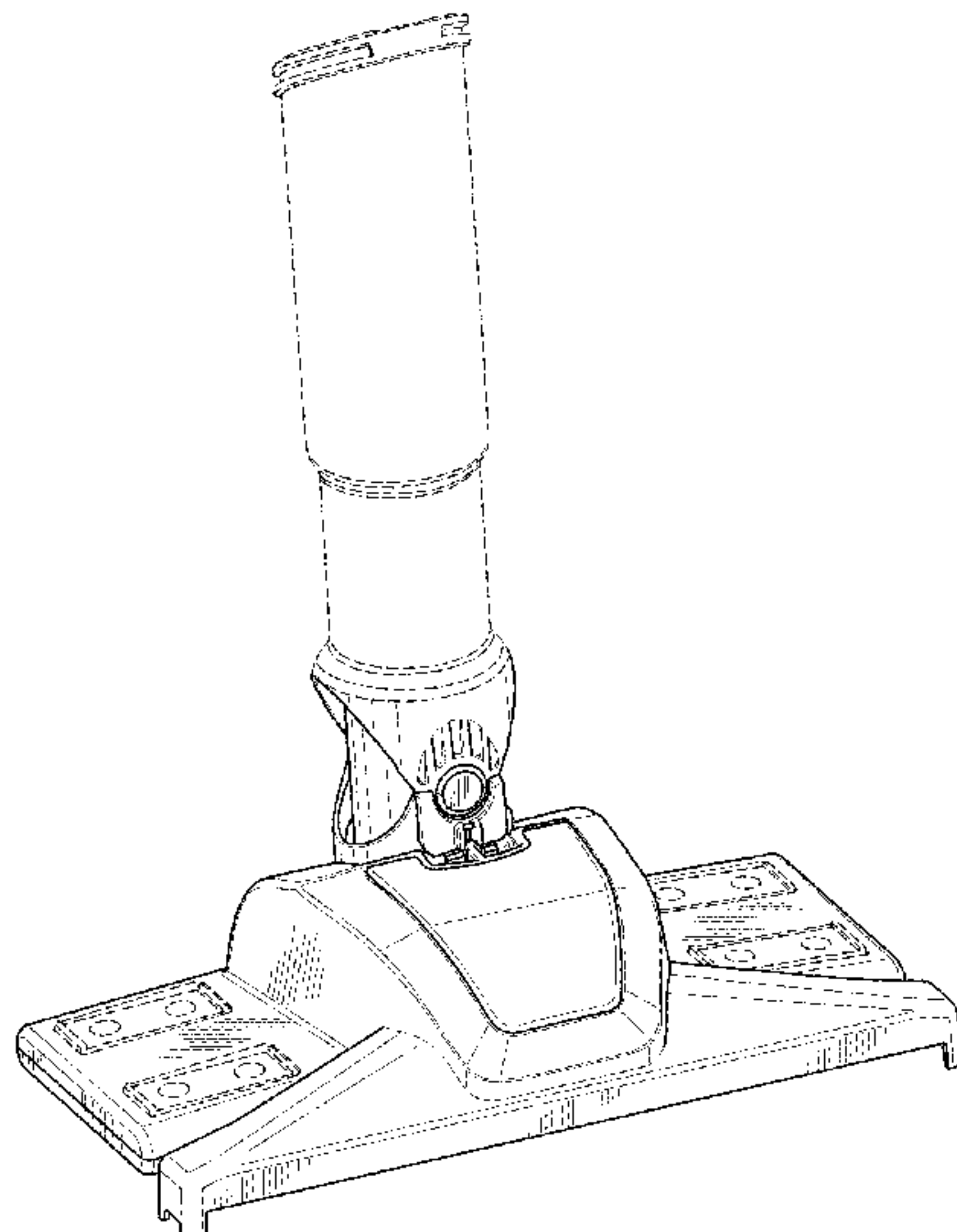
FIG. 5 is a left side view thereof;

FIG. 6 is a top view thereof; and,

FIG. 7 is a bottom view thereof.

The dashed lines are for illustrative purposes and form no part of the claimed design.

1 Claim, 6 Drawing Sheets



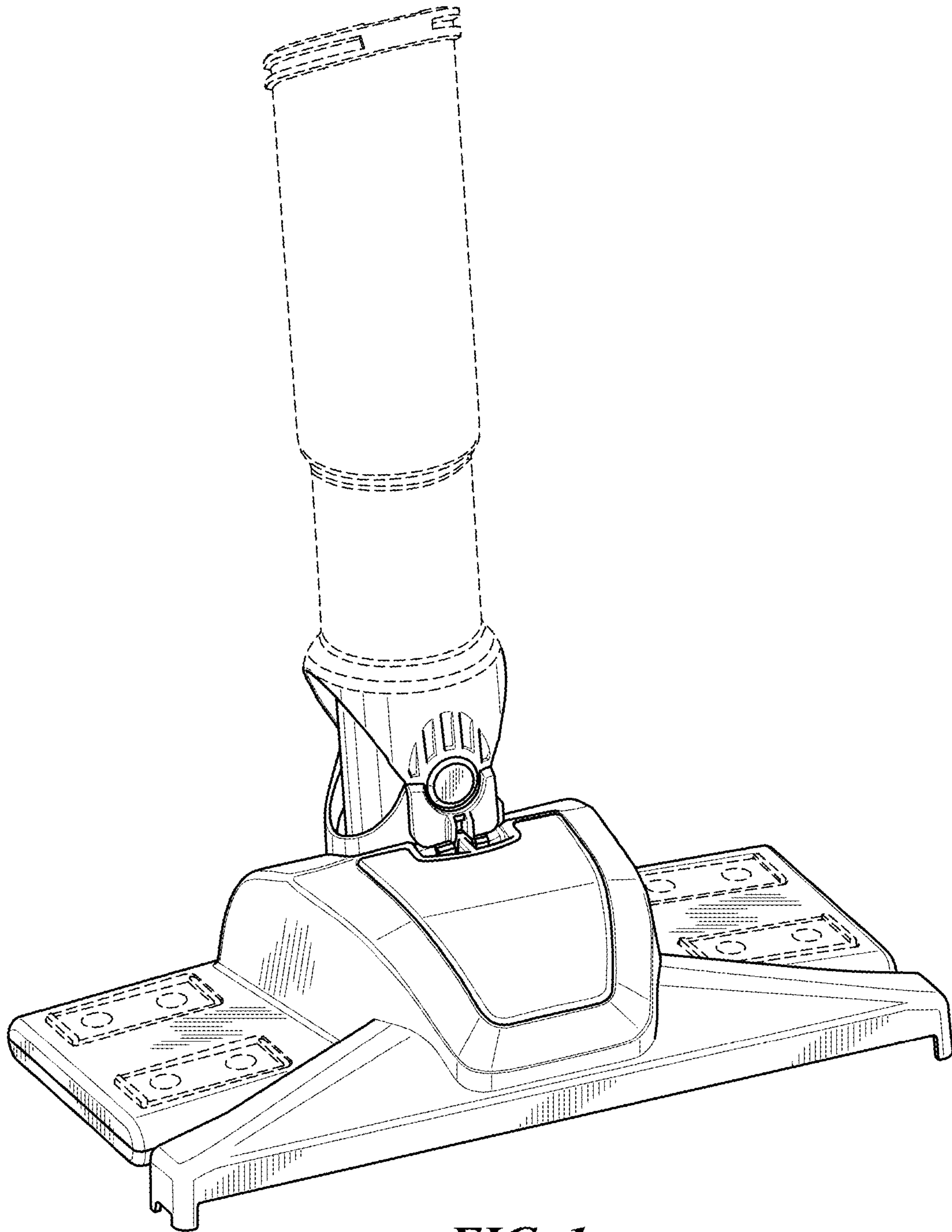


FIG. 1

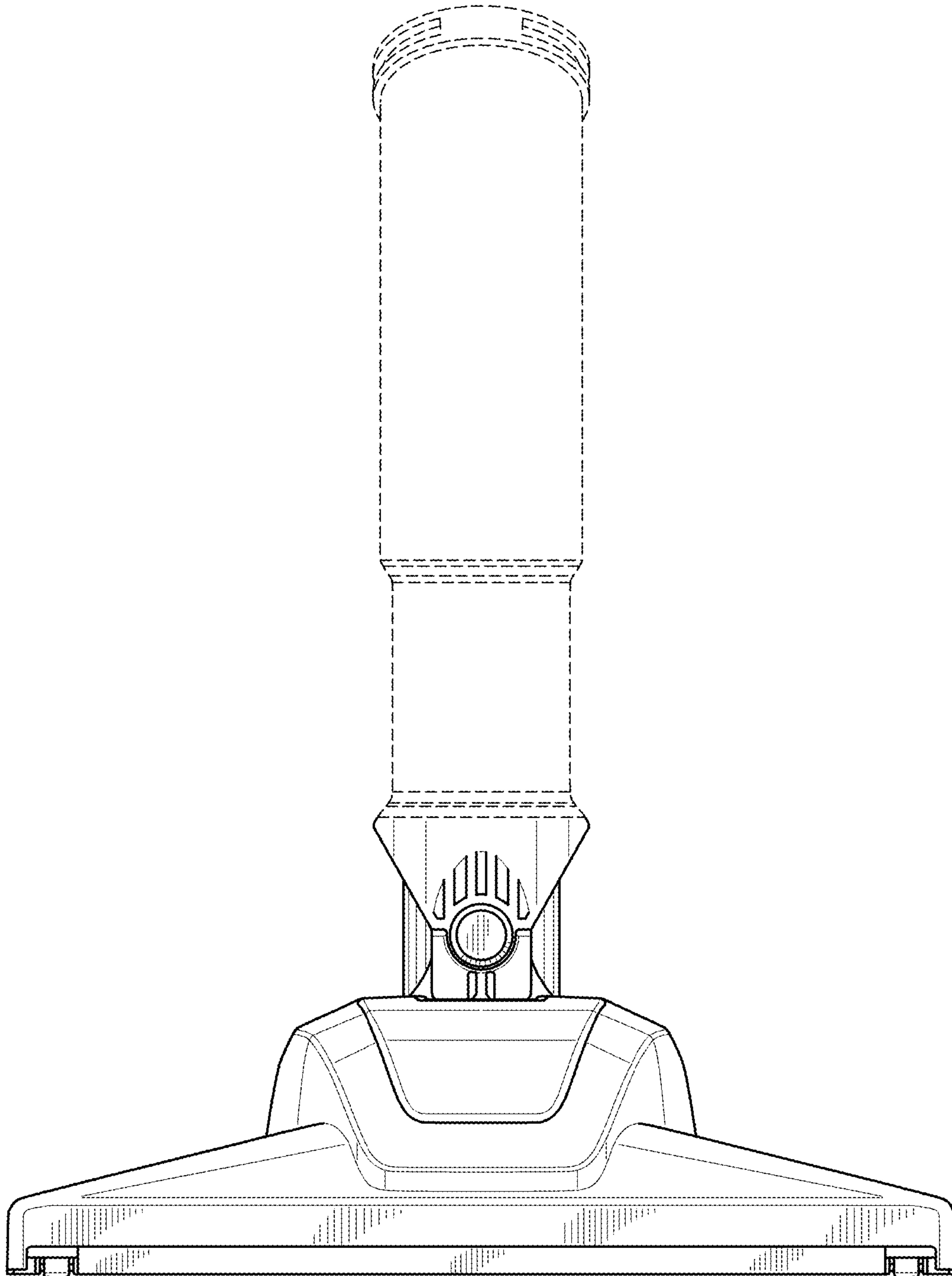


FIG. 2

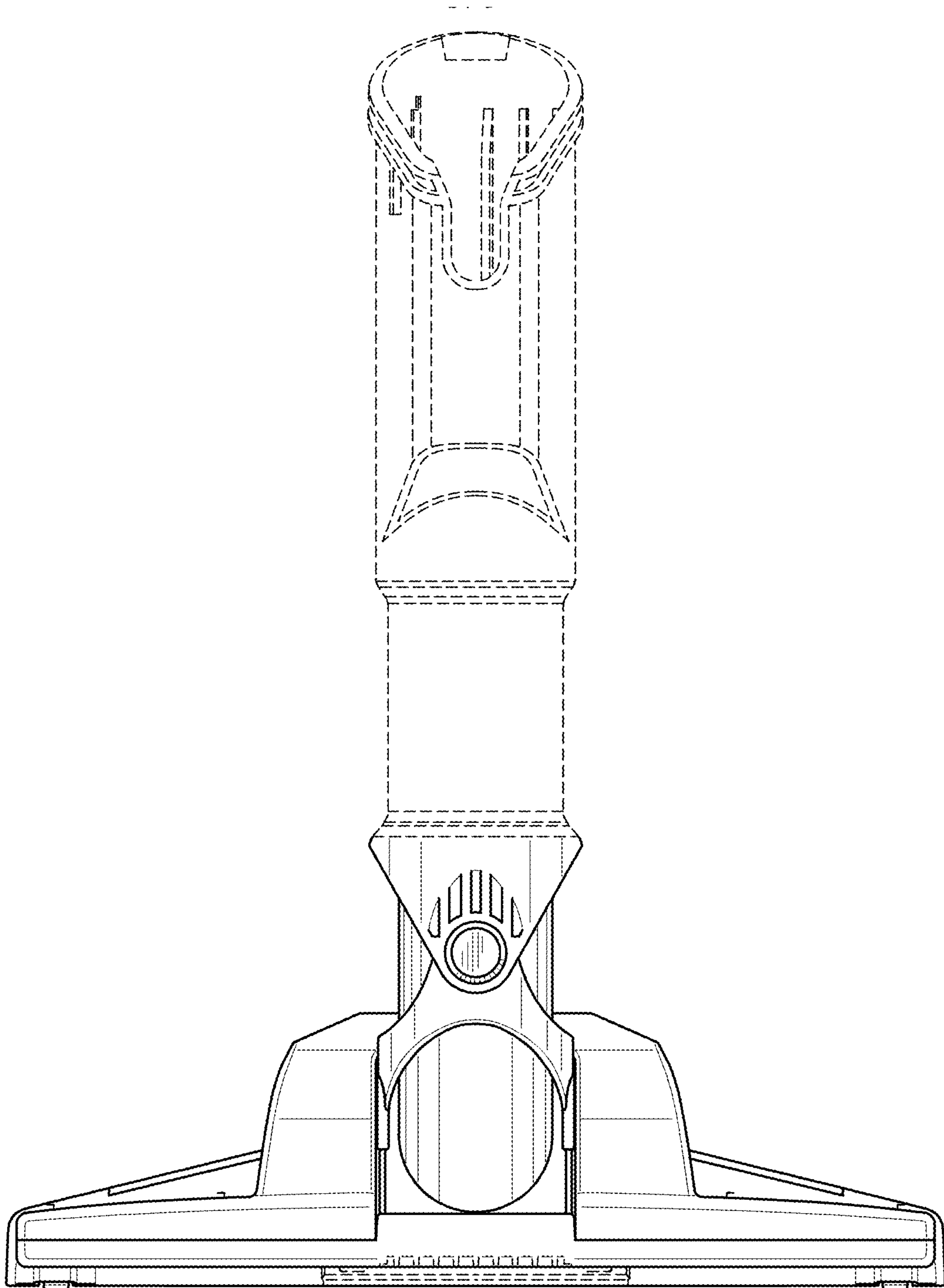


FIG. 3

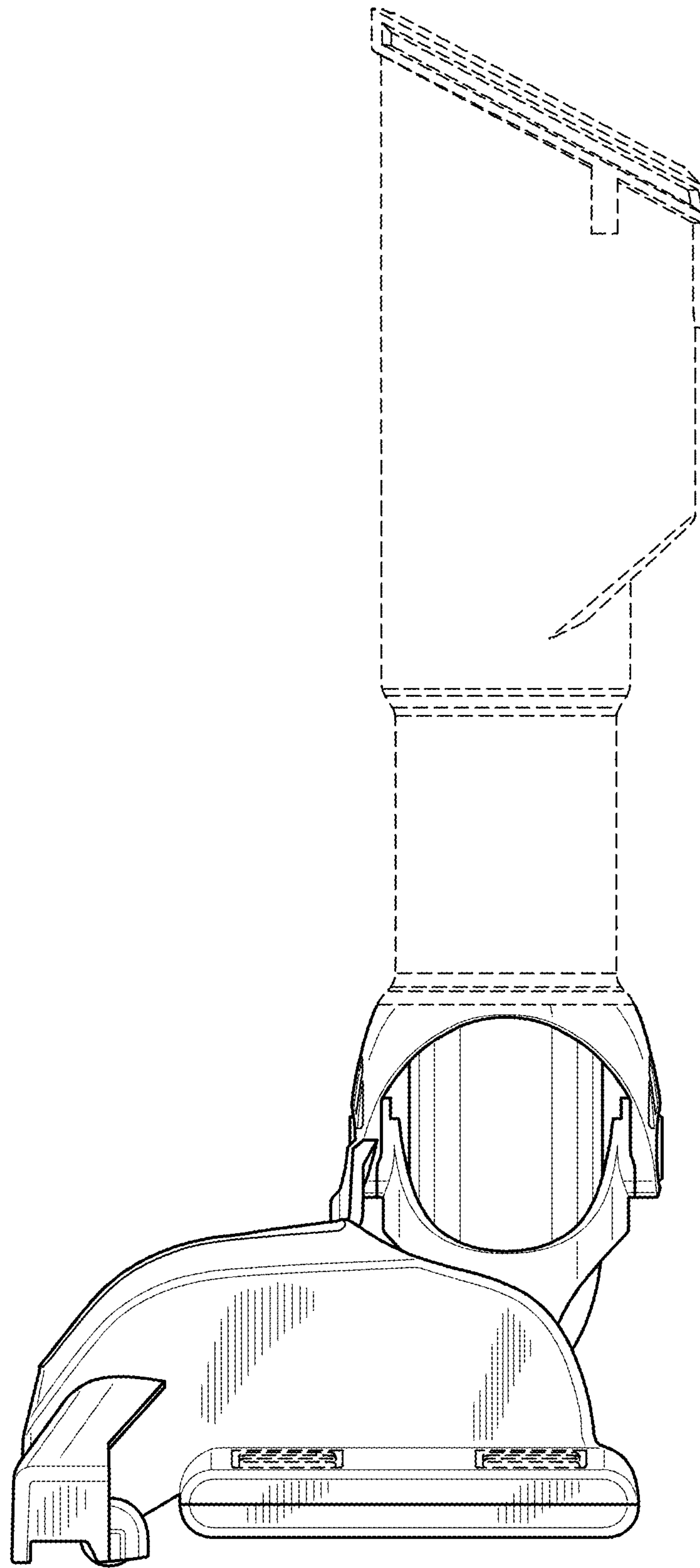


FIG. 4

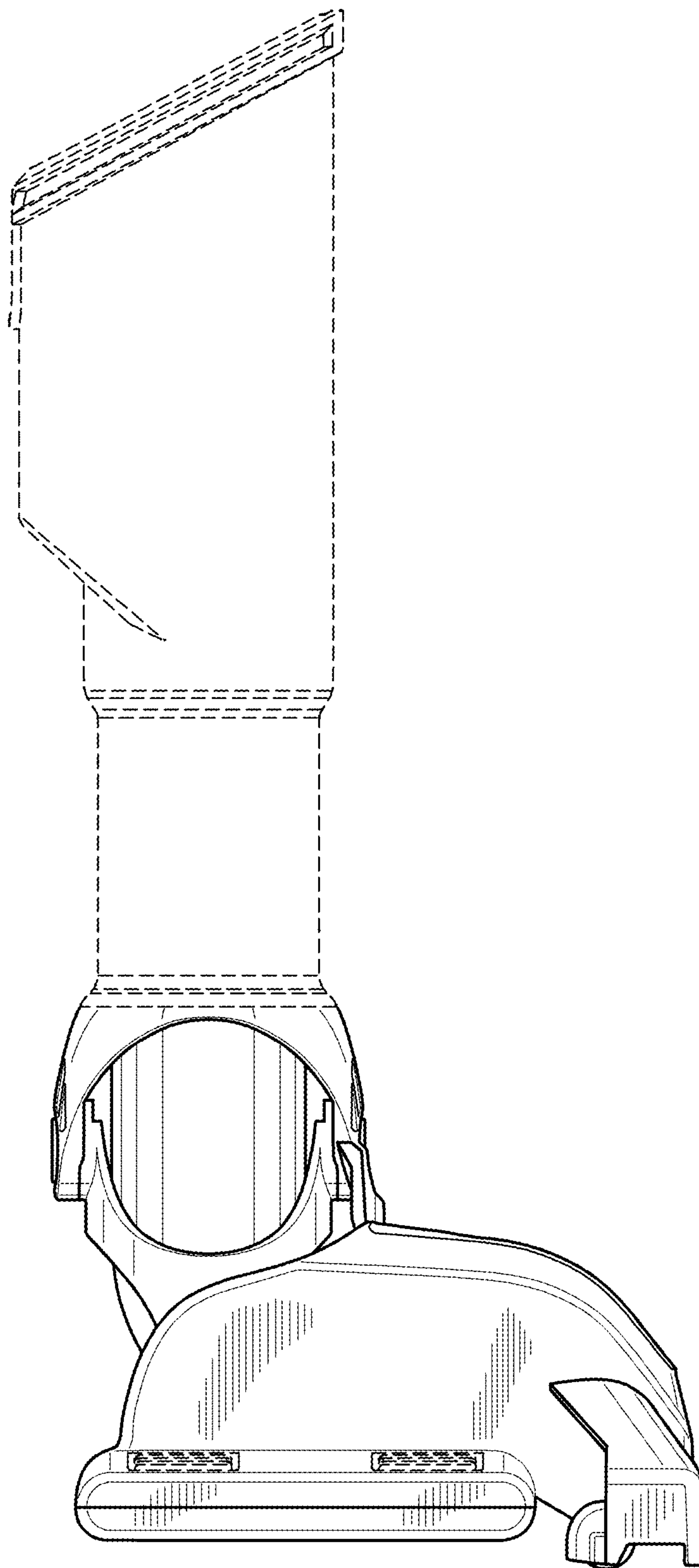


FIG. 5

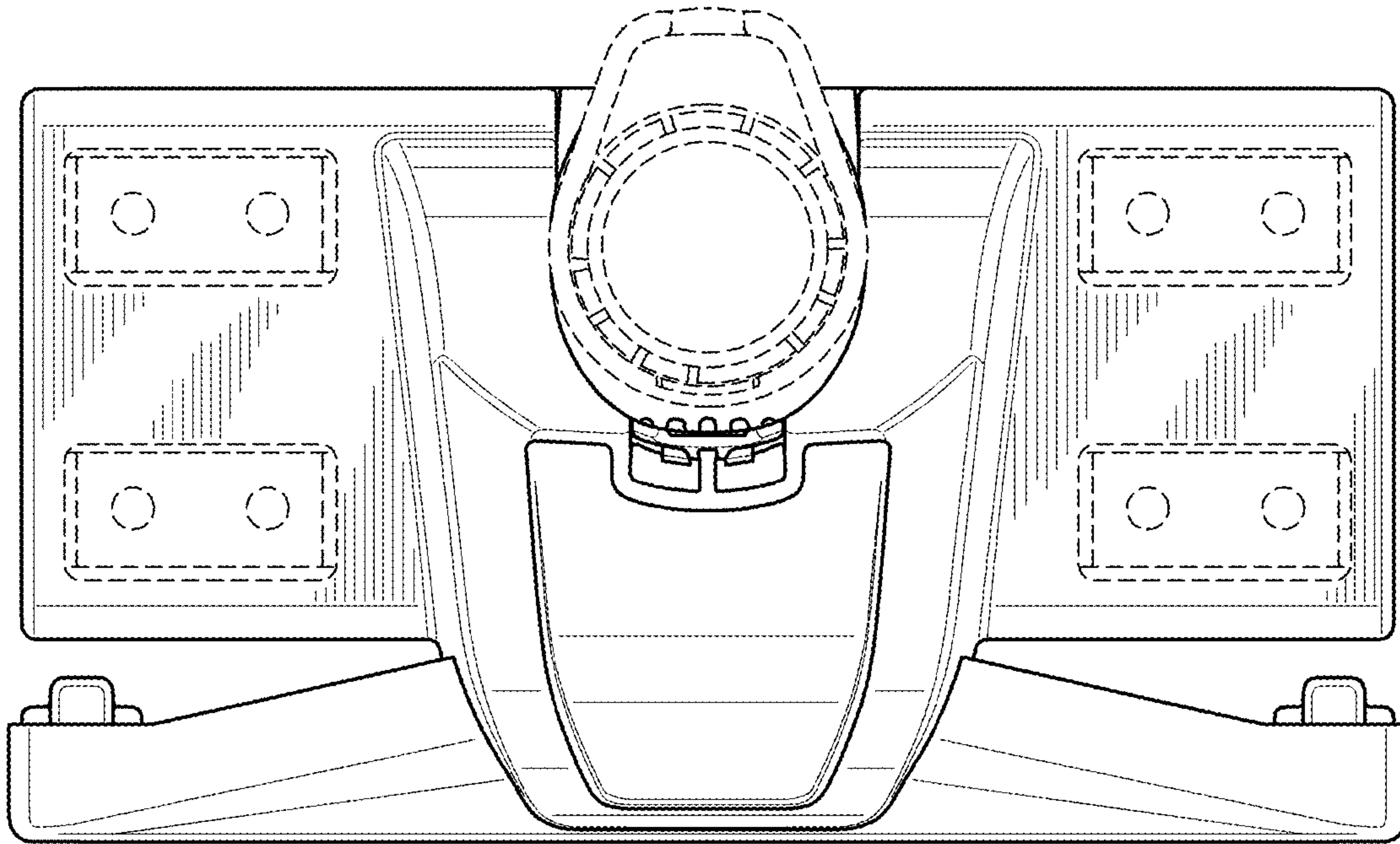


FIG. 6

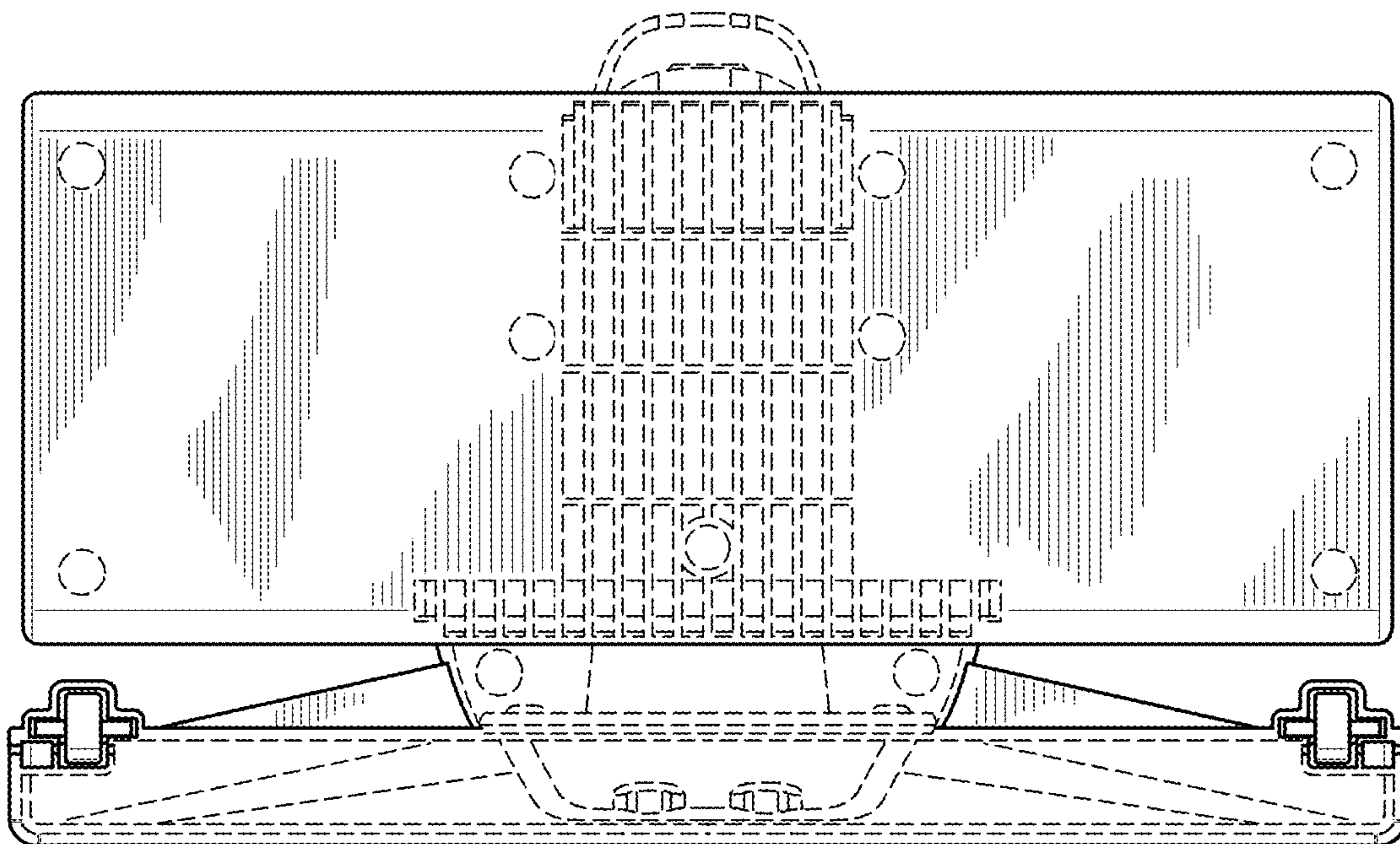


FIG. 7