



US00D770106S

(12) **United States Design Patent** (10) **Patent No.:** **US D770,106 S**
Johnson et al. (45) **Date of Patent:** **** Oct. 25, 2016**

(54) **VACUUM CLEANER**

(71) Applicants: **Owen R. Johnson**, Needham, MA (US); **Gary Palladino**, Somerville, MA (US)

(72) Inventors: **Owen R. Johnson**, Needham, MA (US); **Gary Palladino**, Somerville, MA (US)

(73) Assignee: **SharkNinja Operating LLC**, Newton, MA (US)

(**) Term: **15 Years**

(21) Appl. No.: **29/527,078**

(22) Filed: **May 15, 2015**

(51) **LOC (10) Cl.** **15-05**

(52) **U.S. Cl.**
USPC **D32/22**

(58) **Field of Classification Search**
USPC D32/17-18, 21-24, 31, 34, 40, 42, D32/49-52

CPC A47L 5/28; A47L 5/32; A47L 5/362; A47L 5/365; A47L 5/24; A47L 5/34; A47L 7/0038; A47L 9/26; A47L 9/2857; A47L 9/20; A47L 9/02; A47L 9/322; A47L 9/325; A47L 11/34; A47L 11/40; A47L 11/4044; A47L 11/20; A47L 11/146

See application file for complete search history.

(56) **References Cited**

U.S. PATENT DOCUMENTS

| | | | | |
|-----------|-----|---------|---------------|--------|
| 6,012,200 | A | 1/2000 | Murphy et al. | |
| 6,226,832 | B1 | 5/2001 | McCormick | |
| D510,465 | S * | 10/2005 | Takahashi | D32/22 |
| 7,200,893 | B2 | 4/2007 | Gerber et al. | |
| D553,313 | S * | 10/2007 | Parr | D32/22 |
| D587,870 | S * | 3/2009 | Baek | D32/22 |
| D610,317 | S * | 2/2010 | Lee | D32/22 |

| | | | | |
|--------------|------|---------|-------------|-----------------------|
| D610,318 | S * | 2/2010 | Shin | D32/22 |
| D633,264 | S * | 2/2011 | Lee | D32/22 |
| D652,589 | S * | 1/2012 | Lee | D32/22 |
| D662,271 | S * | 6/2012 | Conrad | D32/31 |
| D662,272 | S * | 6/2012 | Conrad | D32/31 |
| D670,878 | S * | 11/2012 | Lee | D32/22 |
| D686,377 | S * | 7/2013 | Thorne | D32/31 |
| D695,980 | S * | 12/2013 | Thorne | D32/22 |
| 8,631,541 | B2 | 1/2014 | Tran | |
| 8,776,311 | B2 | 7/2014 | Genn et al. | |
| D730,001 | S * | 5/2015 | Yun | D32/22 |
| D735,426 | S * | 7/2015 | Yun | D32/22 |
| D739,104 | S * | 9/2015 | Johnson | D32/31 |
| D739,620 | S * | 9/2015 | Johnson | D32/22 |
| D740,503 | S * | 10/2015 | Tyler | D32/22 |
| 2009/0031522 | A1 * | 2/2009 | Yoo | A47L 5/28 15/327.1 |

(Continued)

FOREIGN PATENT DOCUMENTS

| | | | |
|----|------------|----|--------|
| JP | H10201682 | A | 8/1998 |
| WO | 2014131106 | A1 | 9/2014 |

Primary Examiner — Ruth McInroy

(74) *Attorney, Agent, or Firm* — Grossman Tucker Perreault & Pflieger, PLLC

(57) **CLAIM**

The ornamental design for a vacuum cleaner, as shown and described.

DESCRIPTION

FIG. 1 is a perspective view of a vacuum cleaner showing our new design;

FIG. 2 is a front elevational view of FIG. 1;

FIG. 3 is a rear elevational view of FIG. 1;

FIG. 4 is a left side elevational view of FIG. 1;

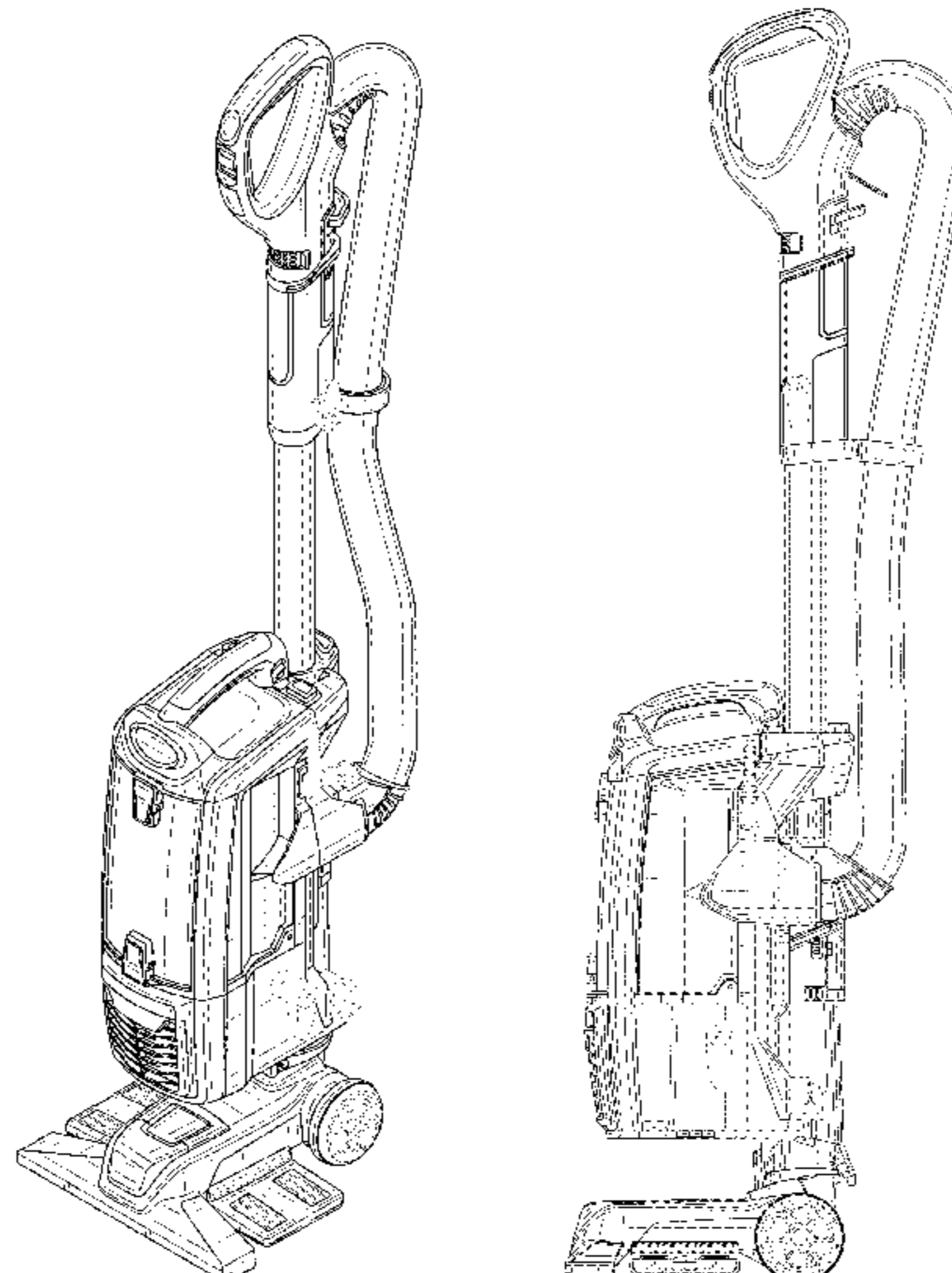
FIG. 5 is a right side elevational view of FIG. 1;

FIG. 6 is a top plan view of FIG. 1; and,

FIG. 7 is a bottom plan view of FIG. 1.

The broken lines in the drawings are for illustrative purposes only and form no part of the claimed design.

1 Claim, 7 Drawing Sheets



US D770,106 S

Page 2

(56)

References Cited

2015/0351596 A1* 12/2015 Thorne A47L 5/28
15/332

U.S. PATENT DOCUMENTS

2014/0237755 A1* 8/2014 Conrad A47L 7/0095
15/329

* cited by examiner

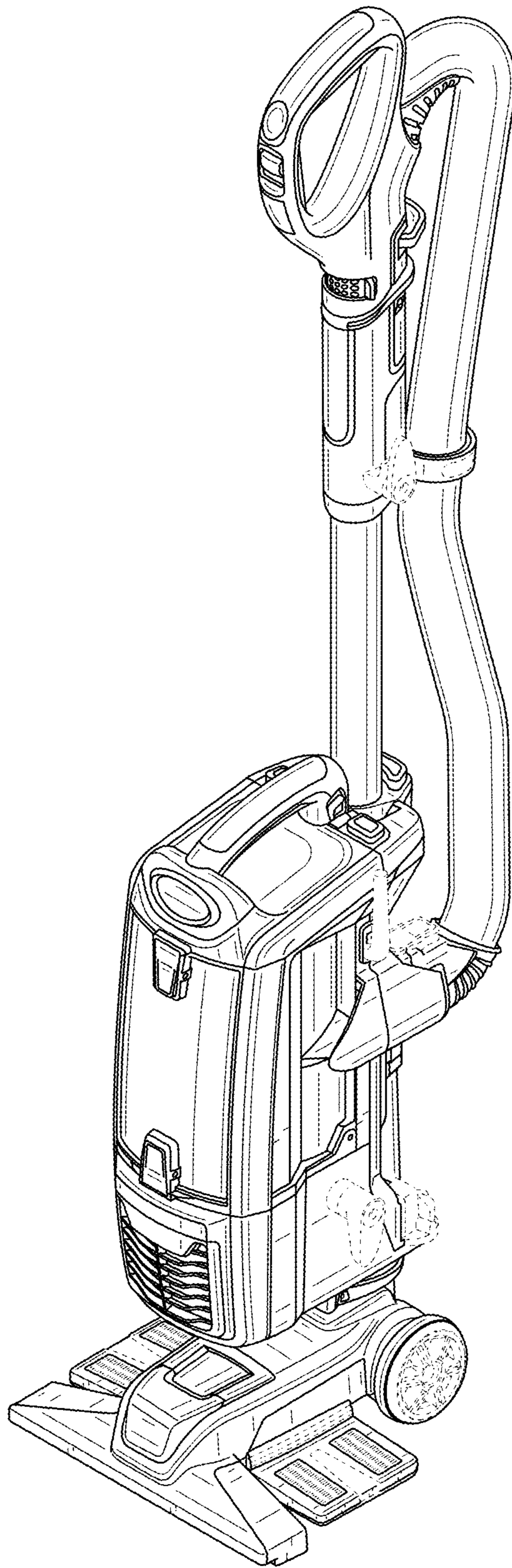


FIG. 1

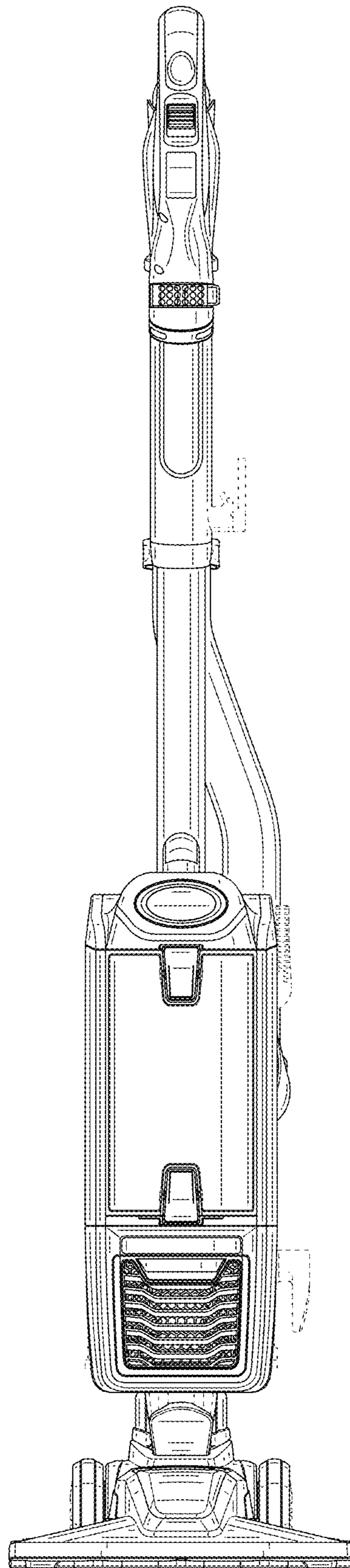


FIG. 2

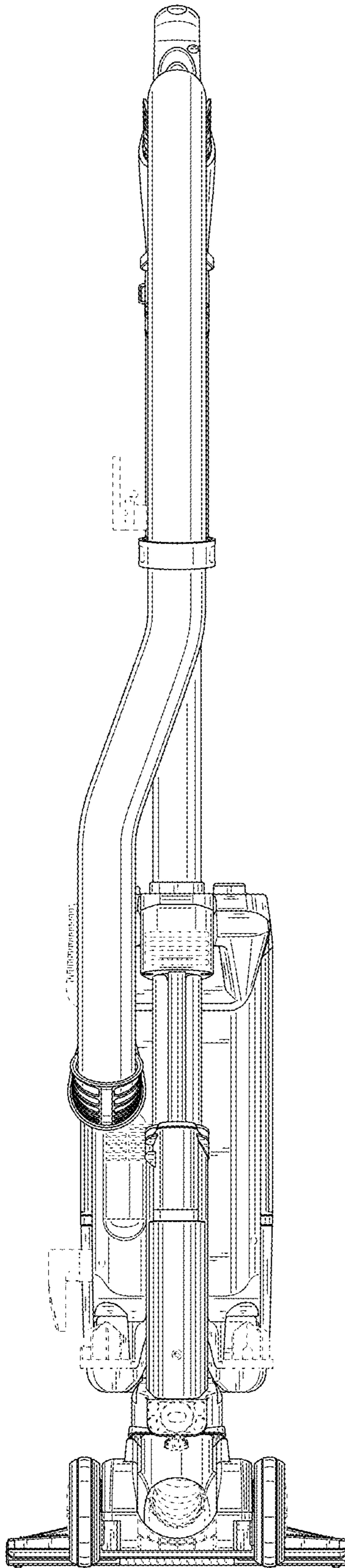


FIG. 3

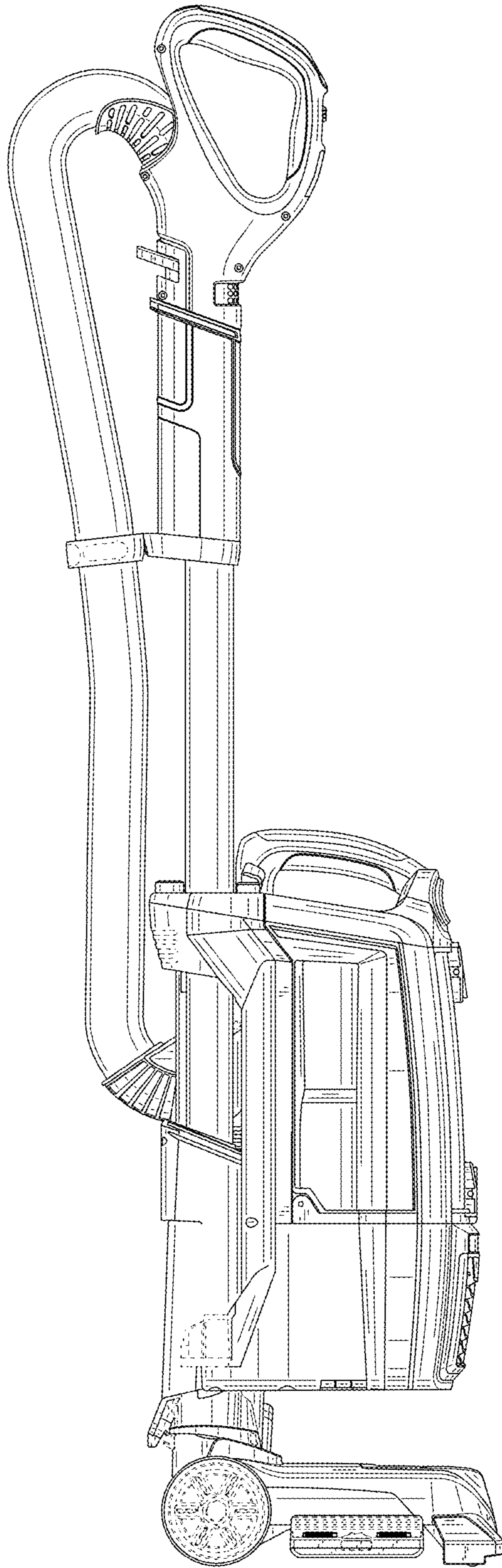


FIG. 4

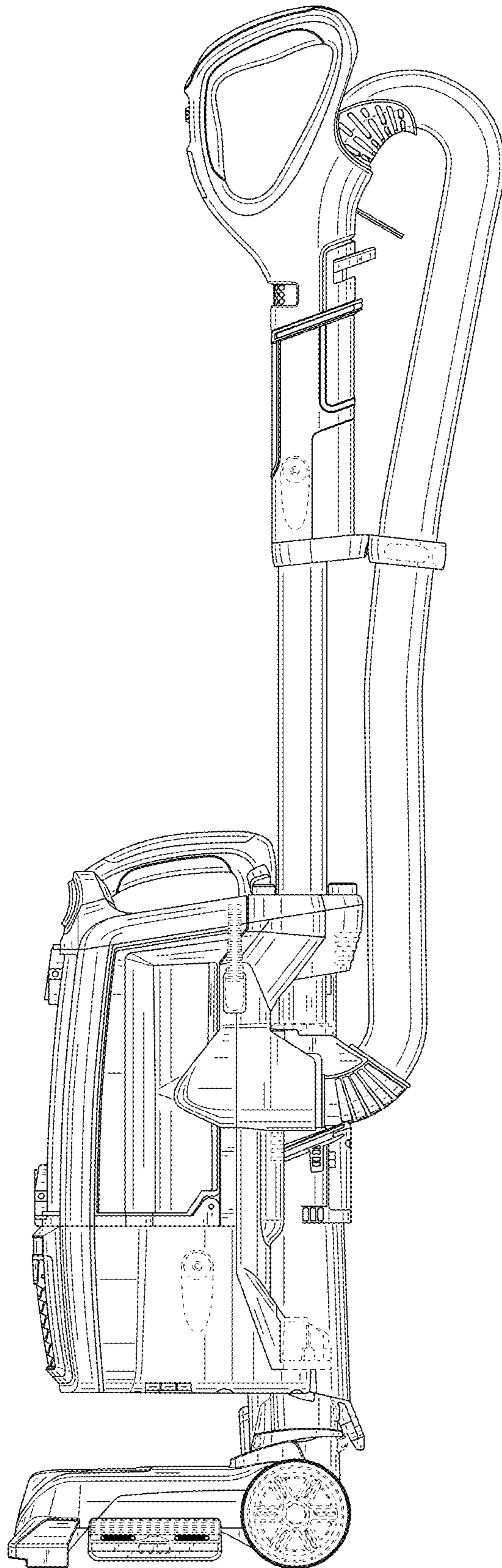


FIG. 5

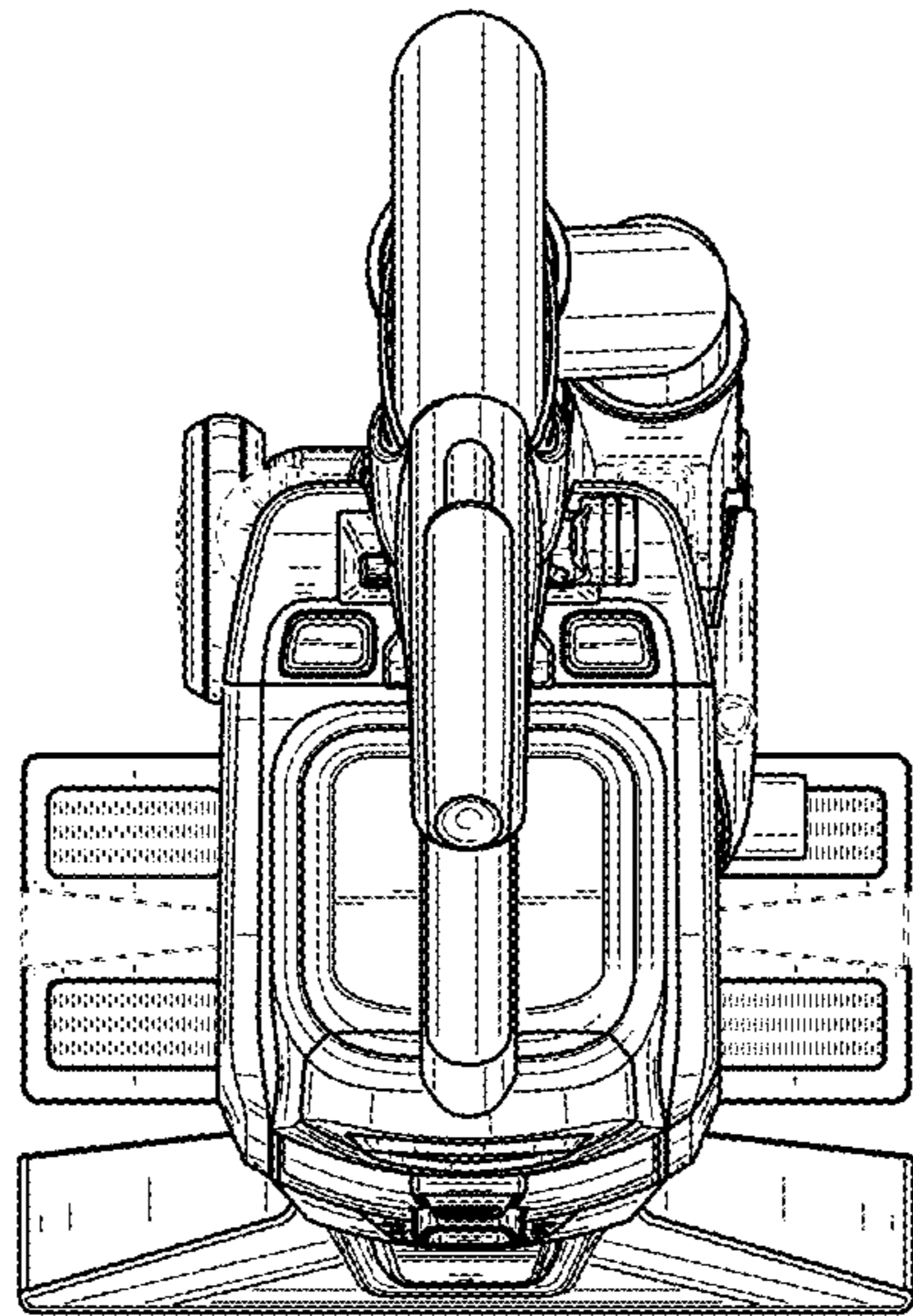


FIG. 6

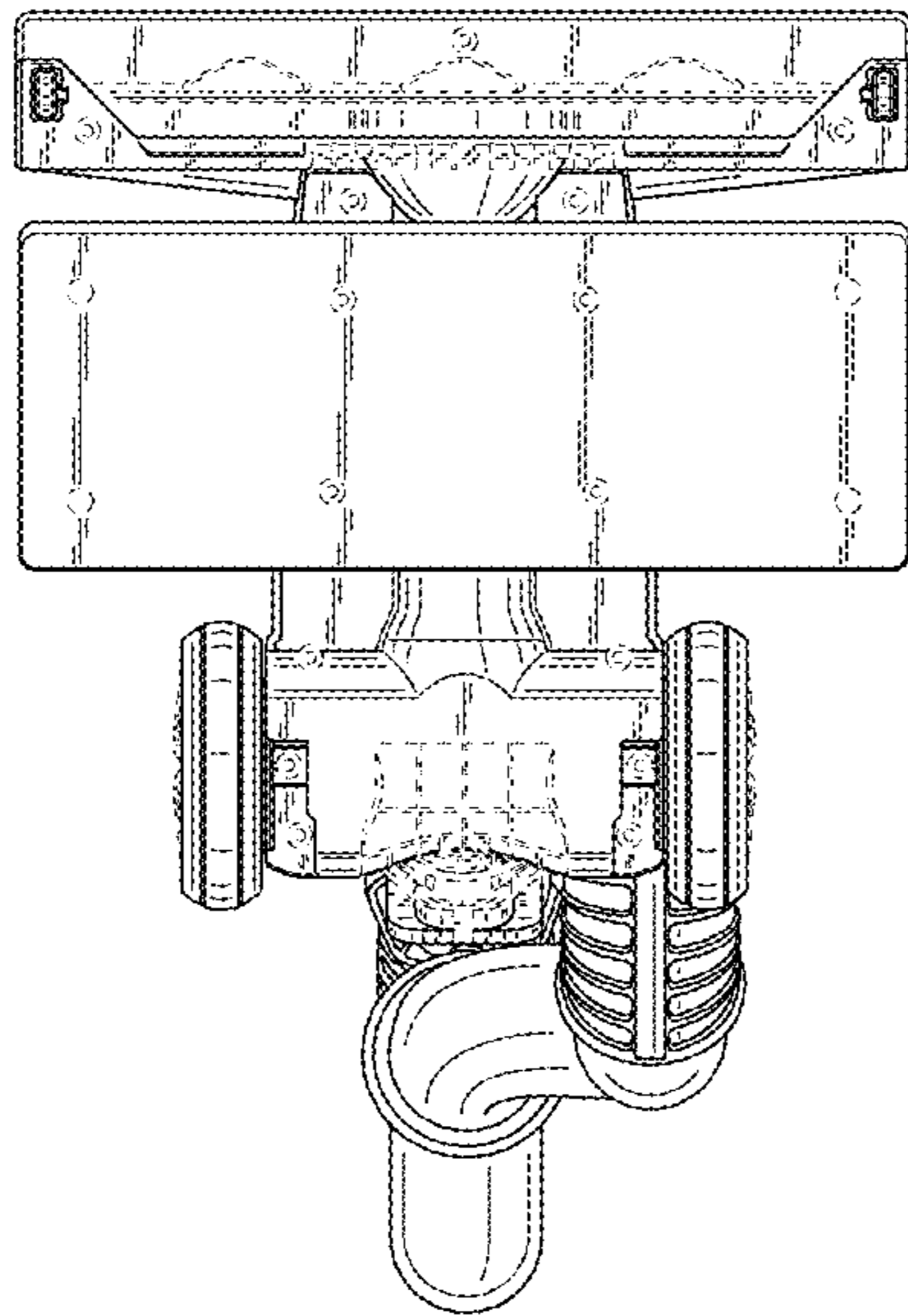


FIG. 7