



US00D770104S

(12) **United States Design Patent**
Koehler

(10) **Patent No.:** **US D770,104 S**

(45) **Date of Patent:** **** Oct. 25, 2016**

(54) **GARMENT STEAMER**

(71) Applicant: **CALOR**, Ecully (FR)

(72) Inventor: **Bernd Koehler**, Ecully (FR)

(73) Assignee: **CALOR**, Ecully (FR)

(**) Term: **14 Years**

(21) Appl. No.: **29/493,790**

(22) Filed: **Jun. 13, 2014**

(30) **Foreign Application Priority Data**

Dec. 13, 2013 (EM) 002369157-0001

(51) **LOC (10) Cl.** **15-05**

(52) **U.S. Cl.**
USPC **D32/17**

(58) **Field of Classification Search**
USPC D32/17-18, 21-24, 31, 34, 40, 42,
D32/49-52
CPC A47L 5/28; A47L 5/32; A47L 5/362;
A47L 5/365; A47L 5/24; A47L 5/34; A47L
7/0038; A47L 9/26; A47L 9/2857; A47L
9/20; A47L 9/02; A47L 9/322; A47L 9/325;
A47L 11/34; A47L 11/40; A47L 11/4044;
A47L 11/20; A47L 11/146; D06F 87/00;
F22B 37/265; B08B 3/02; F02B 77/04;
A01M 1/2077

See application file for complete search history.

(56) **References Cited**

U.S. PATENT DOCUMENTS

D451,653 S	*	12/2001	Berreth	D32/17
D561,958 S	*	2/2008	Hahn	D32/17
D580,607 S	*	11/2008	Tobias	D32/17
D599,511 S	*	9/2009	Massip	D32/17
D607,620 S	*	1/2010	Massip	D32/17
D657,100 S	*	4/2012	Ediger	D32/17
D659,919 S	*	5/2012	Lin	D32/17
D670,044 S	*	10/2012	Andreesen	D32/17
D695,473 S	*	12/2013	Ediger	D32/17
D707,000 S	*	6/2014	Massip	D32/17

8,950,031 B1 *	2/2015	Jaramillo	D06F 73/00 134/175
2006/0188239 A1 *	8/2006	Carlucci	A47L 25/00 392/403
2011/0146116 A1 *	6/2011	Compeau	D06F 75/12 38/77.9
2013/0086954 A1 *	4/2013	Zhang	D06F 73/00 68/5 B
2013/0276485 A1 *	10/2013	Lam	D06F 87/00 68/222
2014/0082978 A1 *	3/2014	Hu	D06F 58/14 38/2
2014/0345334 A1 *	11/2014	Chua	D06F 87/00 68/5 B
2014/0373402 A1 *	12/2014	Zhang	D06F 75/20 38/15
2015/0114048 A1 *	4/2015	Ducruet	D06F 87/00 68/5 A
2015/0204007 A1 *	7/2015	Lim	D06F 58/14 68/5 C
2015/0252518 A1 *	9/2015	Fung	D06F 87/00 68/5 C
2015/0345073 A1 *	12/2015	Al-Zahrani	D06F 87/00 38/1 C

* cited by examiner

Primary Examiner — Ruth McInroy

(74) *Attorney, Agent, or Firm* — Leob & Loeb LLP

(57) **CLAIM**

The ornamental design for a garment steamer, as shown and described.

DESCRIPTION

FIG. 1 is a perspective view of a garment steamer showing my new design;

FIG. 2 is a front elevational view thereof;

FIG. 3 is a rear elevational view thereof;

FIG. 4 is a right side elevational view thereof;

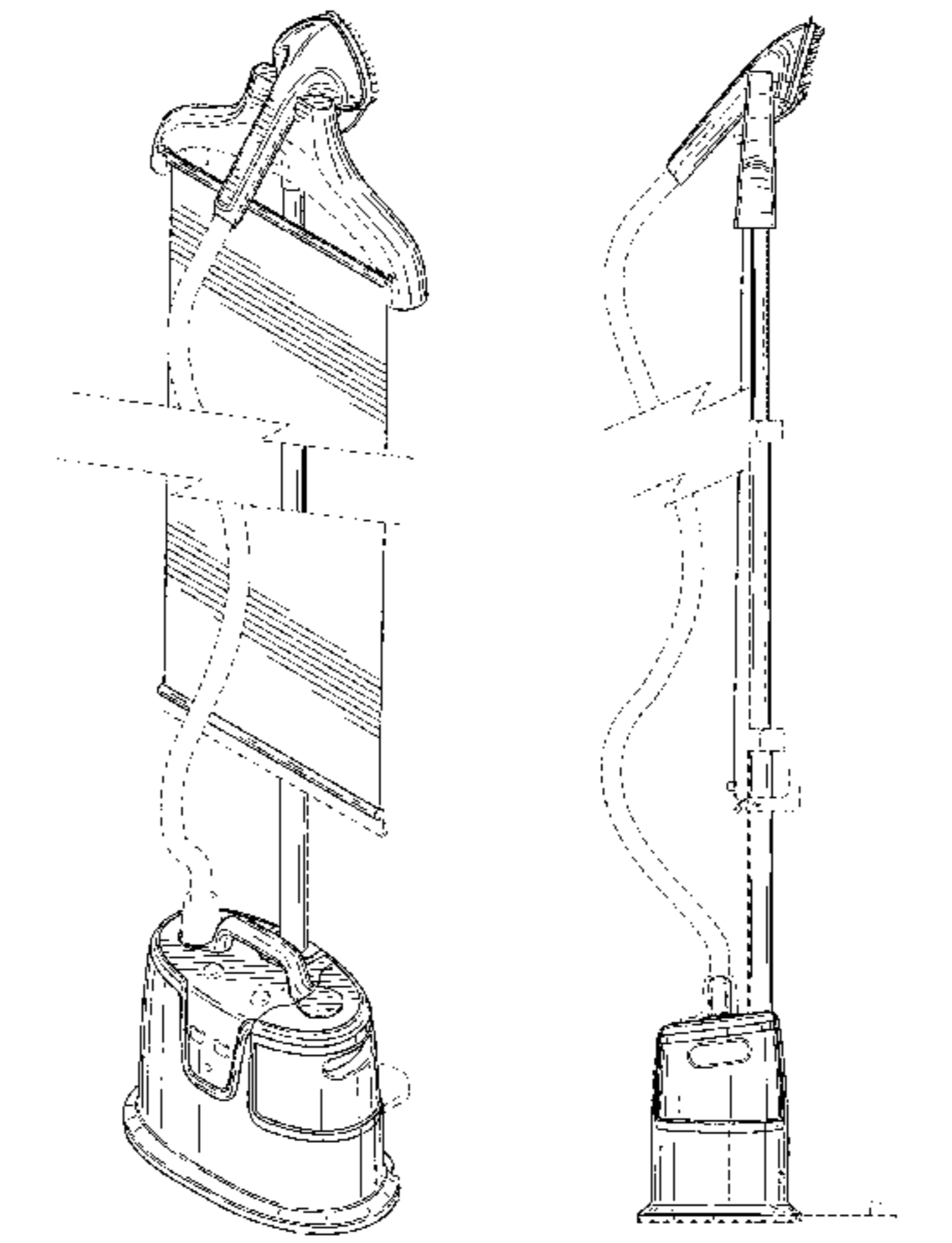
FIG. 5 is a left side elevational view thereof;

FIG. 6 is an enlarged top view thereof; and,

FIG. 7 is an enlarged bottom view thereof.

The environmental structure shown in broken lines forms no part of the claimed design. The broken away symbols indicate that any portion of the screen beyond what is shown forms no part of the claimed design.

1 Claim, 7 Drawing Sheets



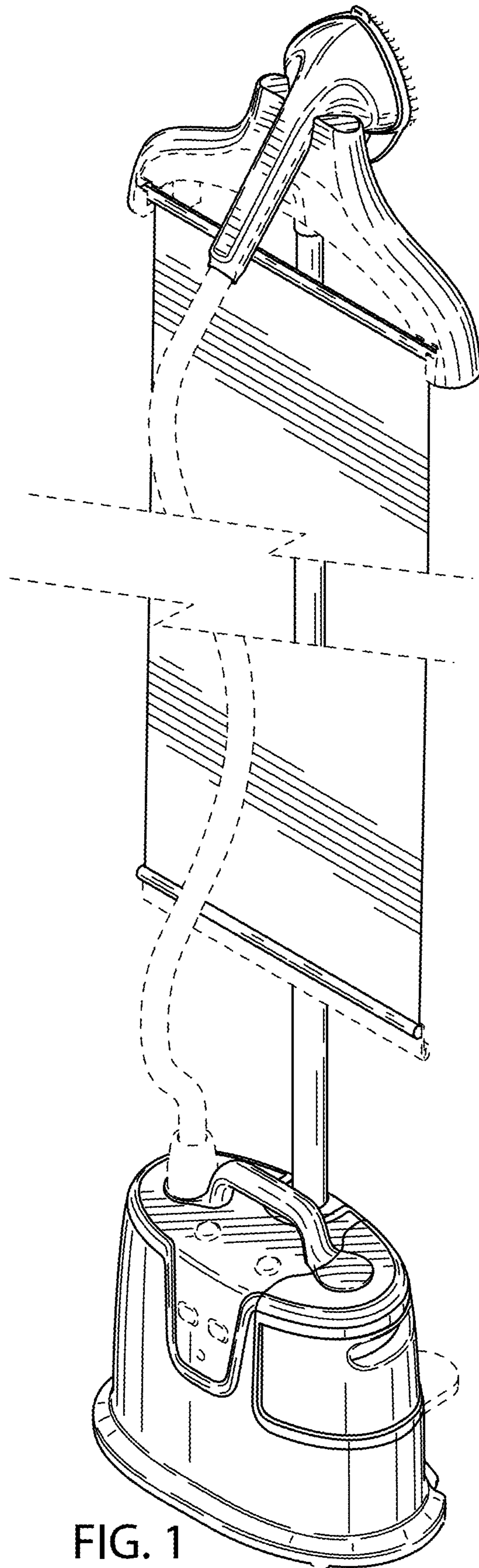


FIG. 1

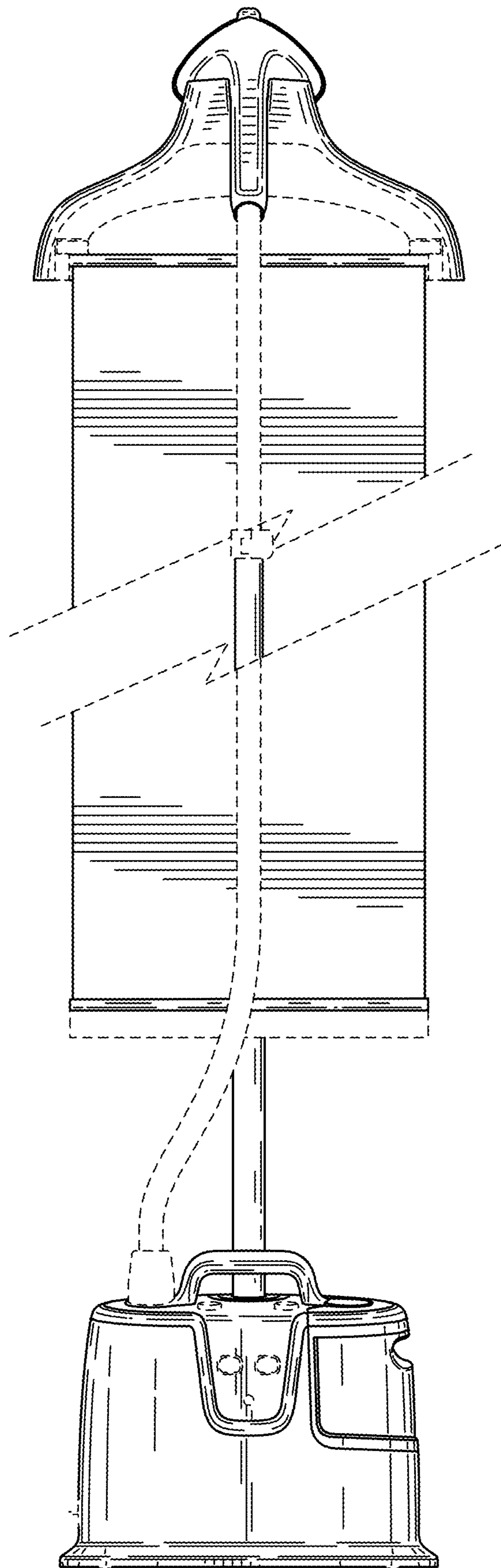


FIG. 2

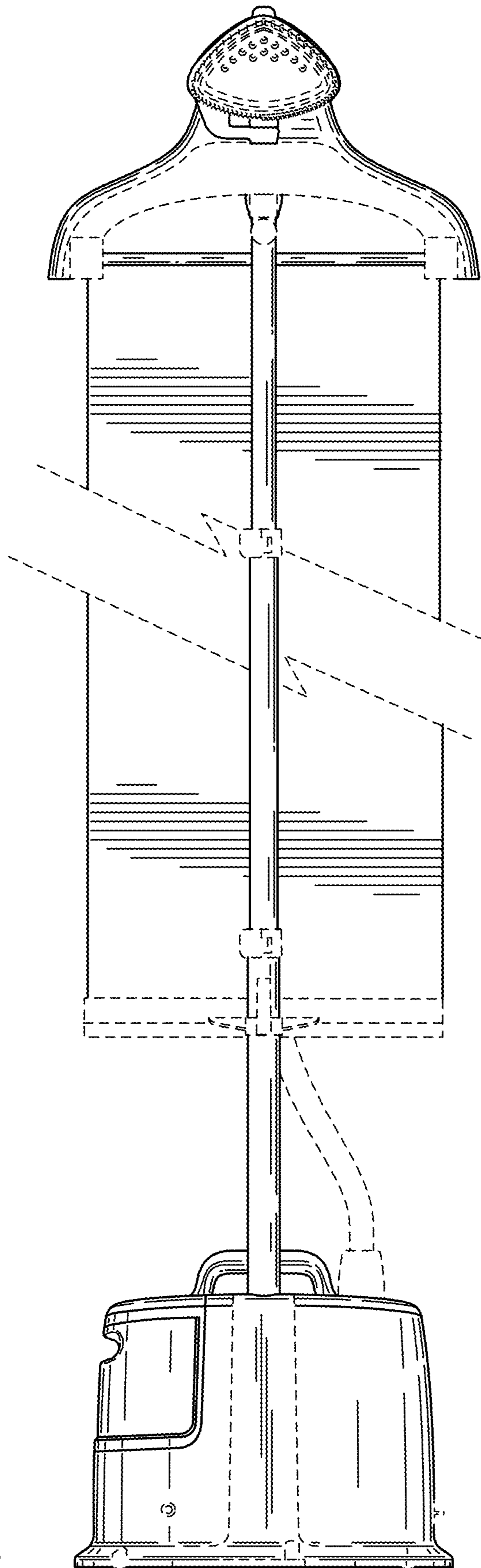


FIG. 3

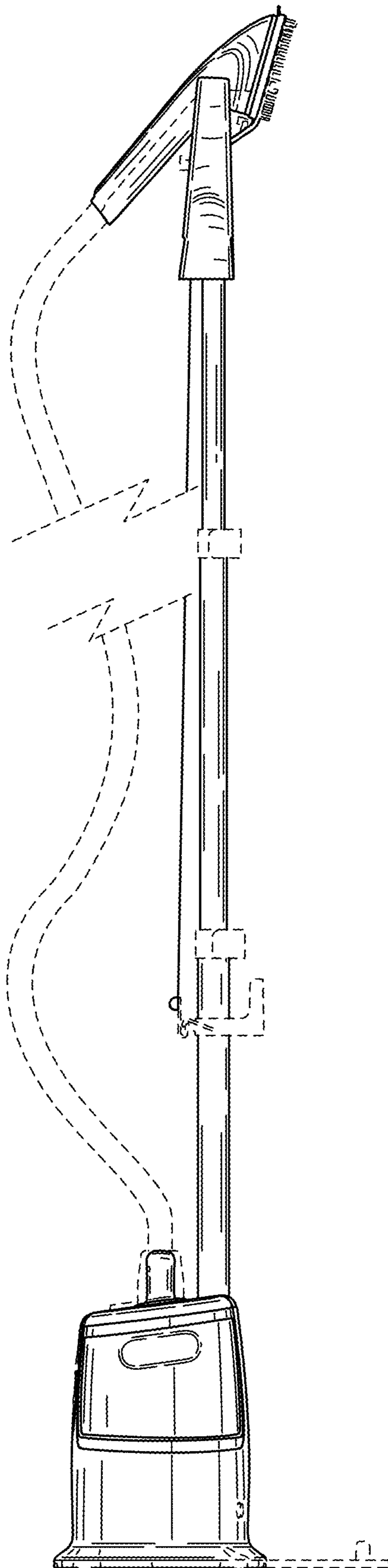


FIG. 4

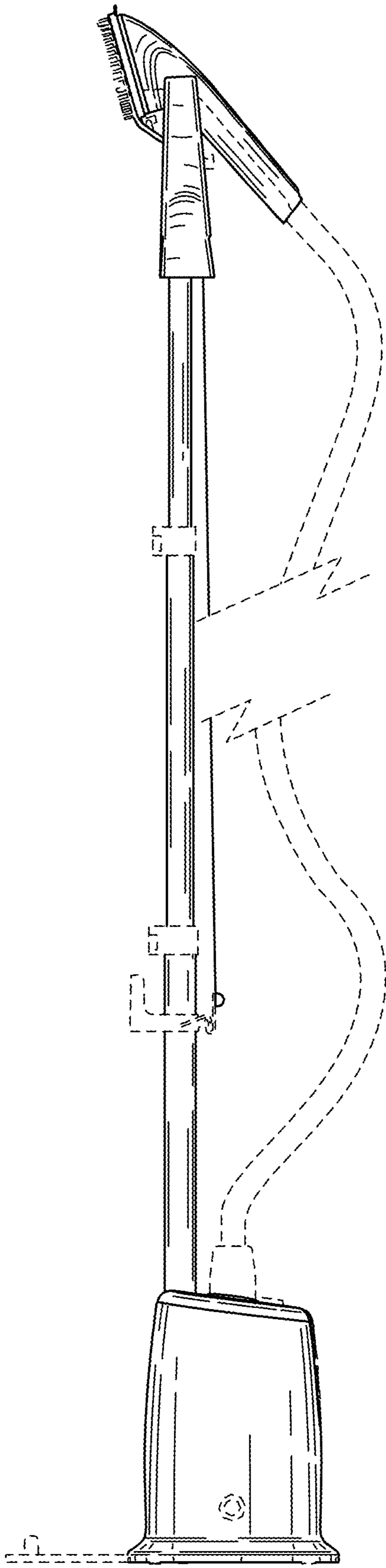


FIG. 5

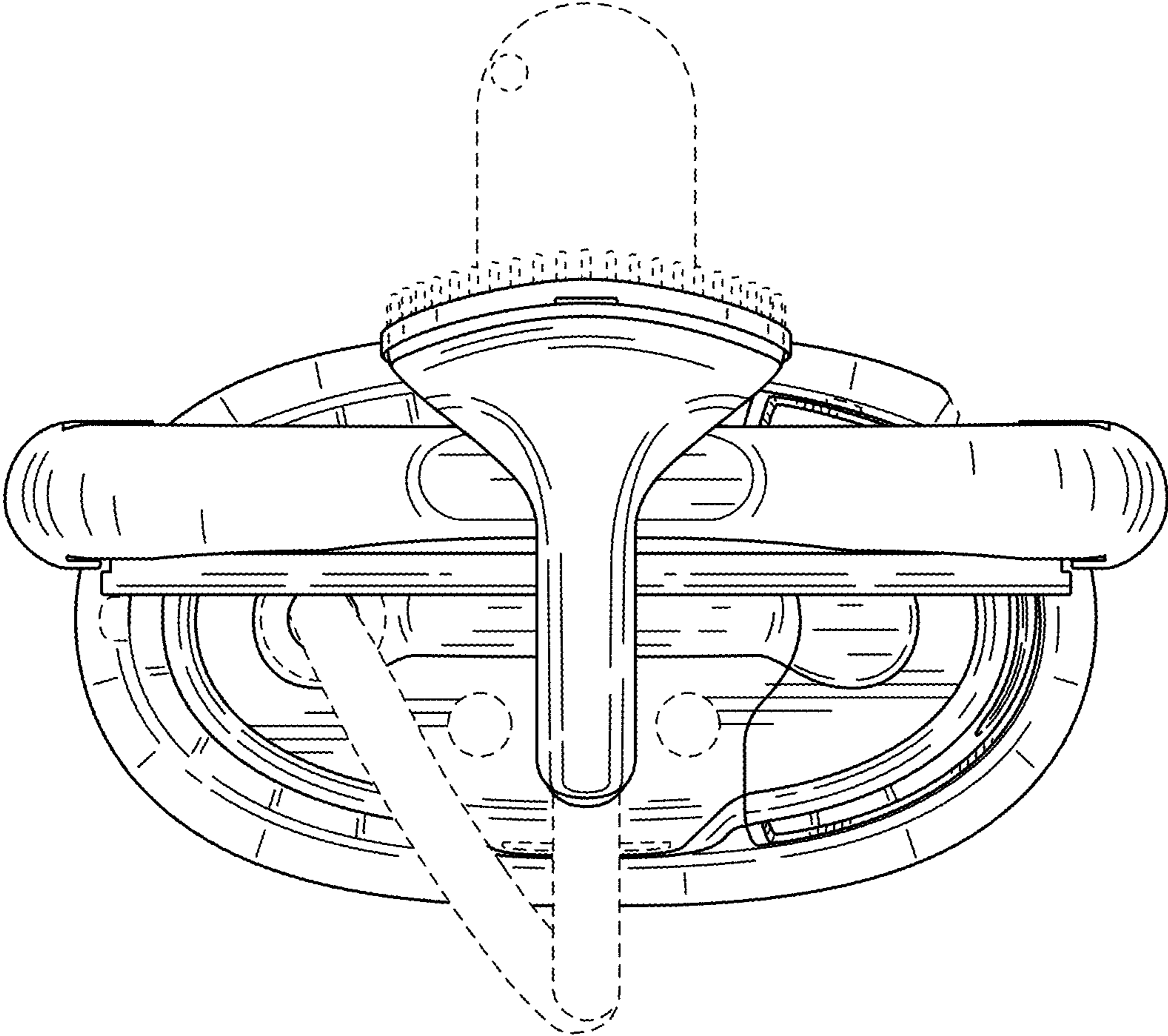


FIG. 6

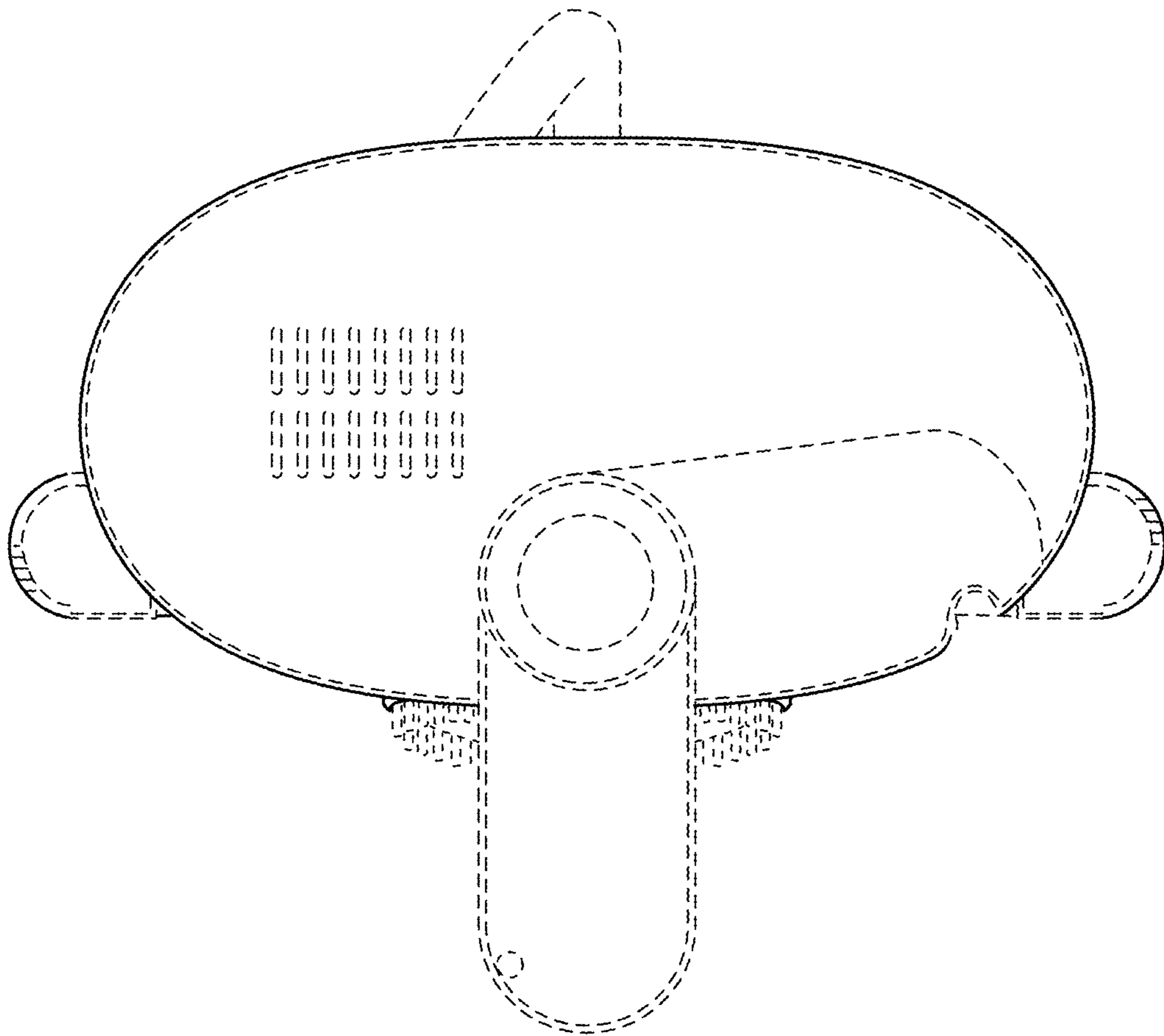


FIG. 7