



US00D770102S

(12) **United States Design Patent** (10) **Patent No.:** **US D770,102 S**
Armstrong et al. (45) **Date of Patent:** **** Oct. 25, 2016**

(54) **LAUNDRY APPLIANCE**

(56) **References Cited**

(71) Applicant: **Electrolux Appliances Aktiebolag**,
Stockholm (SE)
(72) Inventors: **Calum Armstrong**, Valcellina (IT); **Ede Szabo**,
Ungheria (HU)
(73) Assignee: **Electrolux Appliances Aktiebolag**,
Stockholm (SE)

U.S. PATENT DOCUMENTS

D457,991 S *	5/2002	Baldwin	D32/6
D576,362 S *	9/2008	Park	D32/6
D588,757 S *	3/2009	Park	D32/6
D599,508 S *	9/2009	Choi	D32/6
D730,602 S *	5/2015	Choi	D32/25
D731,126 S *	6/2015	Ha	D32/6
D734,572 S *	7/2015	Choi	D32/6
D735,425 S *	7/2015	Choi	D32/6
D746,521 S *	12/2015	Ha	D32/6

(**) Term: **14 Years**

* cited by examiner

(21) Appl. No.: **29/512,002**

Primary Examiner — Susan Bennett Hattan

(22) Filed: **Dec. 16, 2014**

Assistant Examiner — Rebecca Tsehaye

(30) **Foreign Application Priority Data**

(74) *Attorney, Agent, or Firm* — Banner & Witcoff, Ltd.

Jun. 16, 2014 (EM) 002483578

(51) **LOC (10) Cl.** **15-05**

(52) **U.S. Cl.**
USPC **D32/6**

(58) **Field of Classification Search**
USPC D32/6, 8, 5, 10, 1, 26, 29.1
CPC D06F 23/00; D06F 23/02; D06F 23/025;
D06F 23/06; D06F 21/00; D06F 21/02;
D06F 21/04; D06F 21/10; D06F 21/12;
D06F 21/14; D06F 25/00; D06F 27/00;
D06F 37/00; D06F 37/02; D06F 37/04;
D06F 37/06; D06F 37/065; D06F 37/08;
D06F 37/10; D06F 37/12

See application file for complete search history.

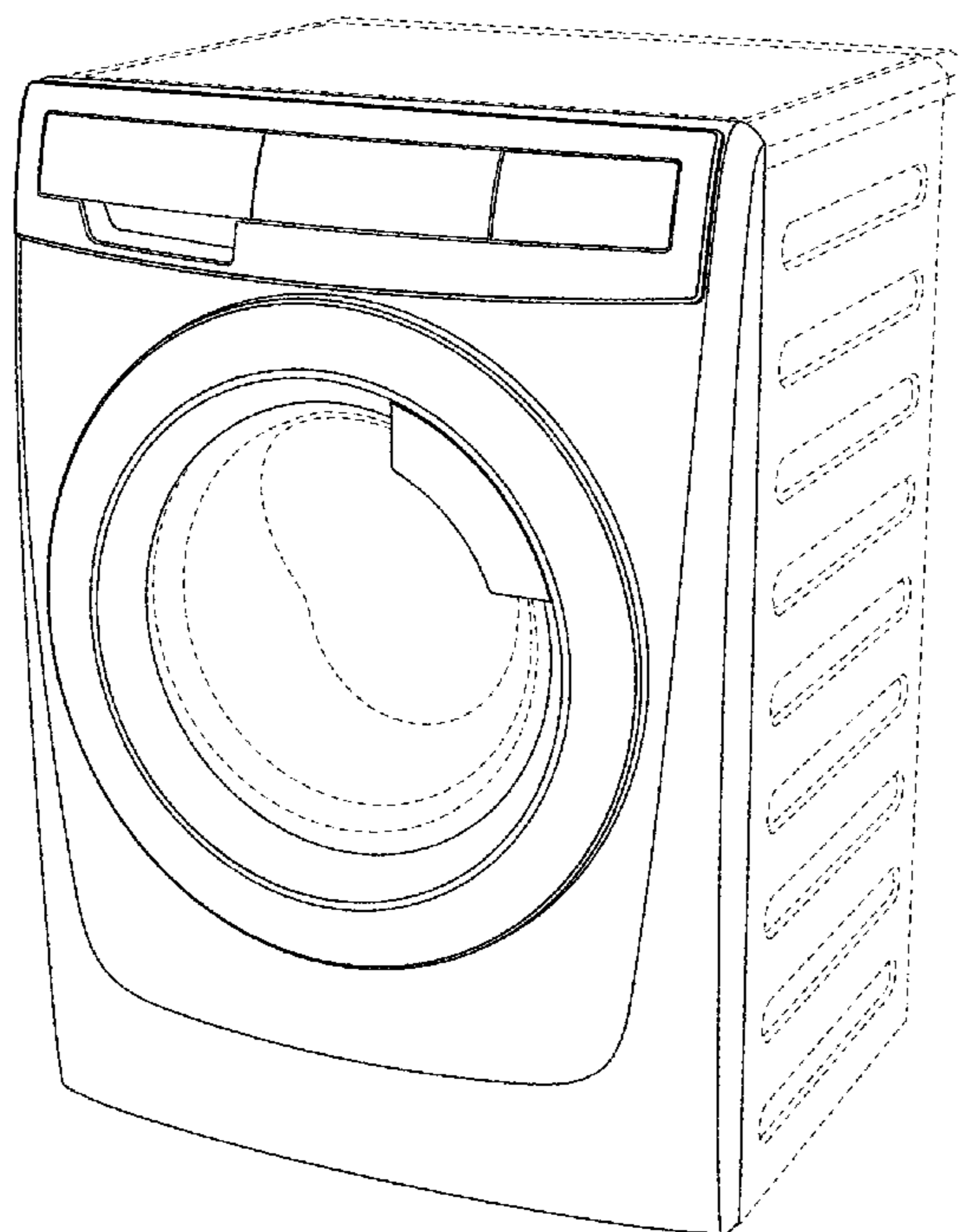
(57) **CLAIM**

The ornamental design for a laundry appliance, as shown and described.

DESCRIPTION

FIG. 1 is a perspective view of a laundry appliance showing our new design;
FIG. 2 is a front view thereof;
FIG. 3 is a top plan view thereof;
FIG. 4 is a right side view thereof;
FIG. 5 is a left side view thereof; and,
FIG. 6 is a bottom plan view thereof.
The broken line showing of the remainder of the laundry appliance represent unclaimed subject matter and forms no part of the claimed design.

1 Claim, 6 Drawing Sheets



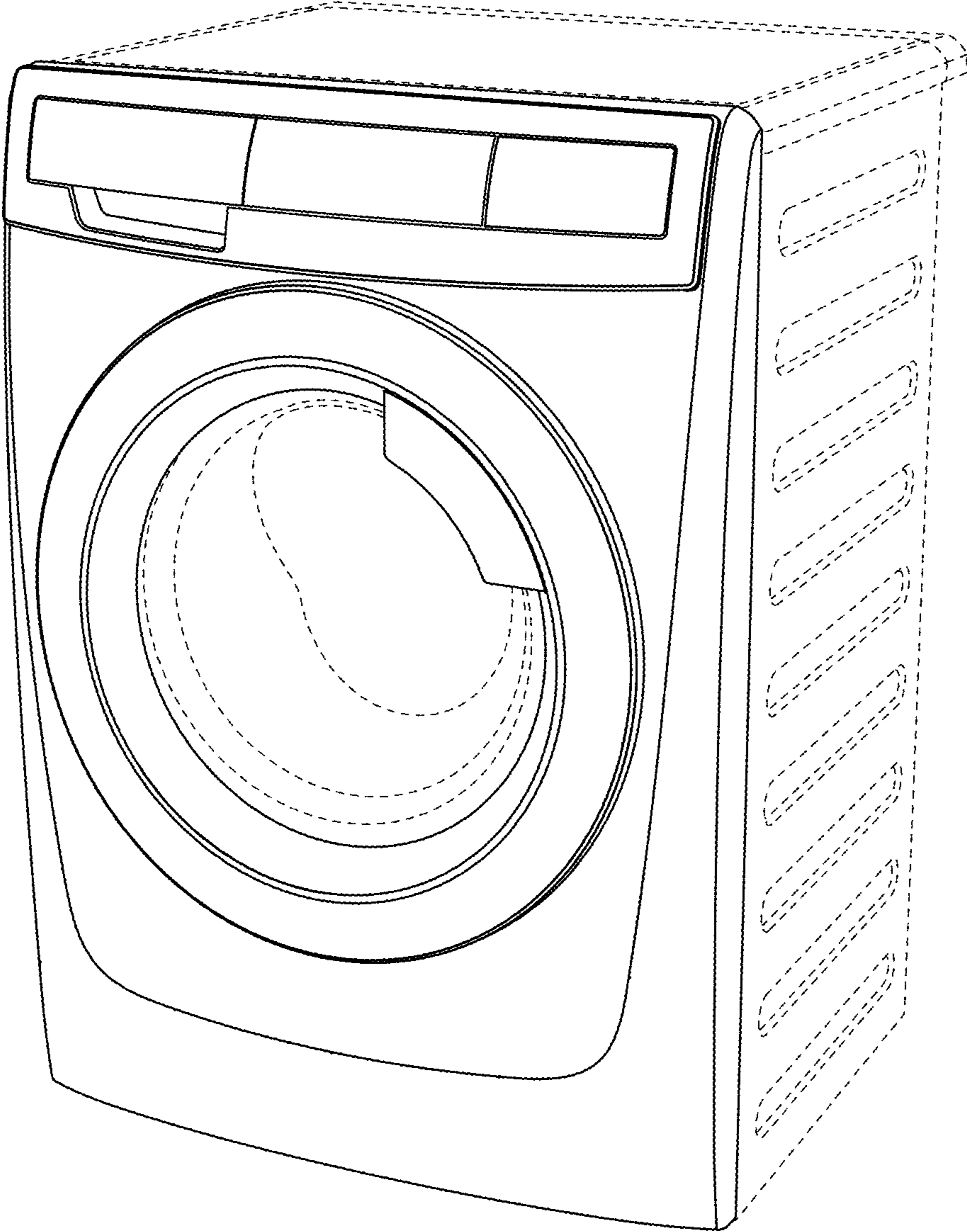


FIG. 1

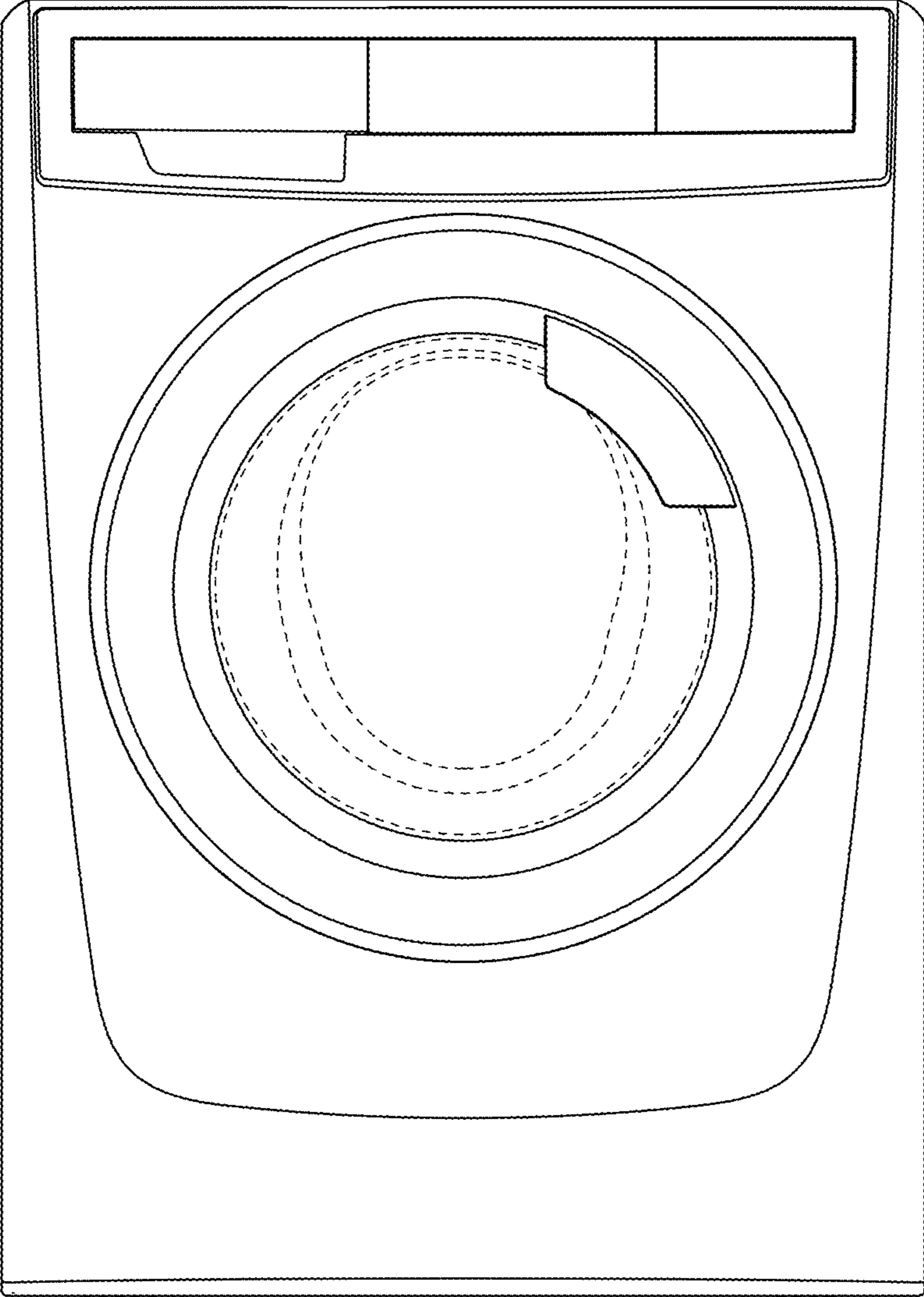


FIG. 2

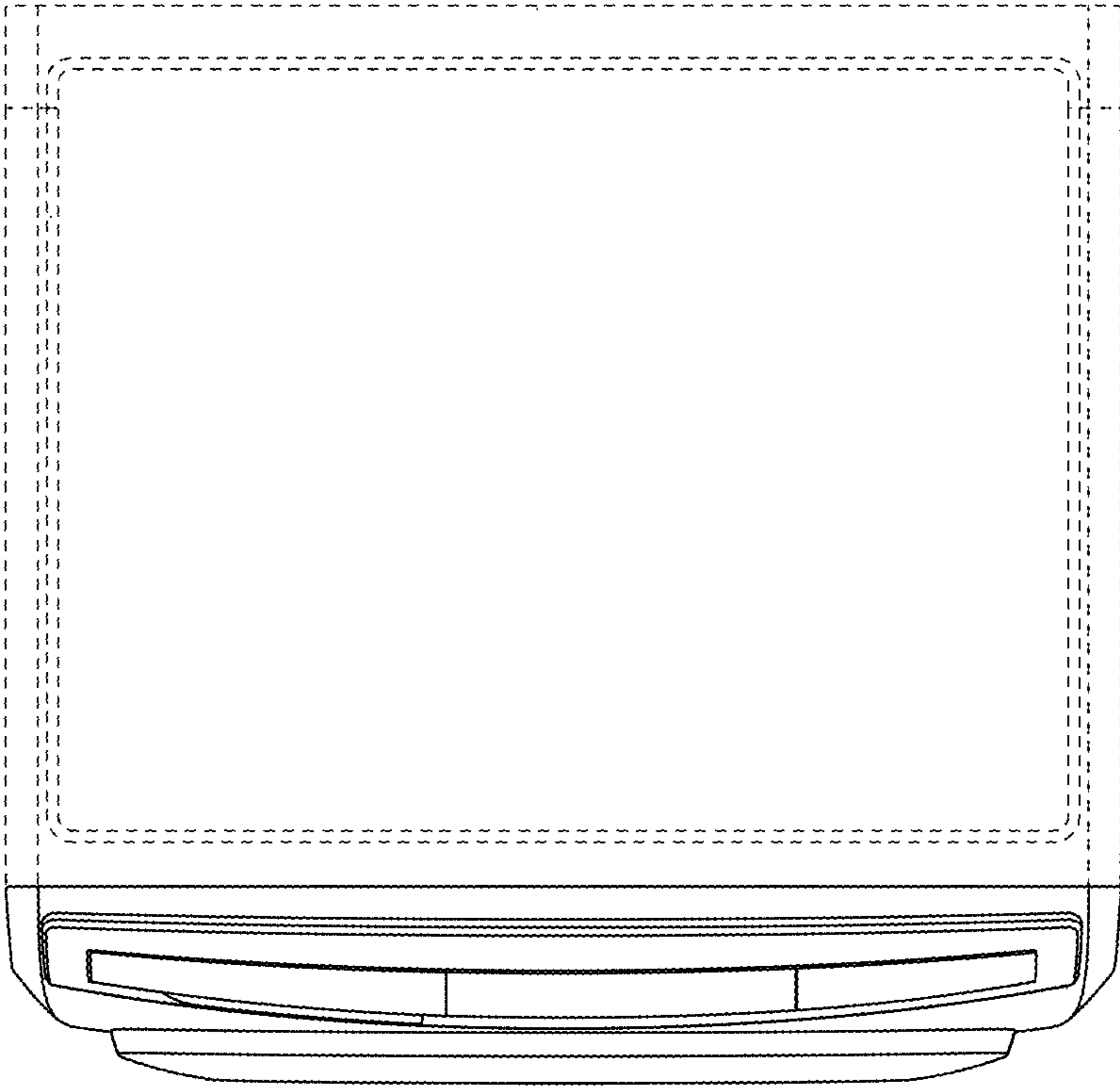


FIG. 3

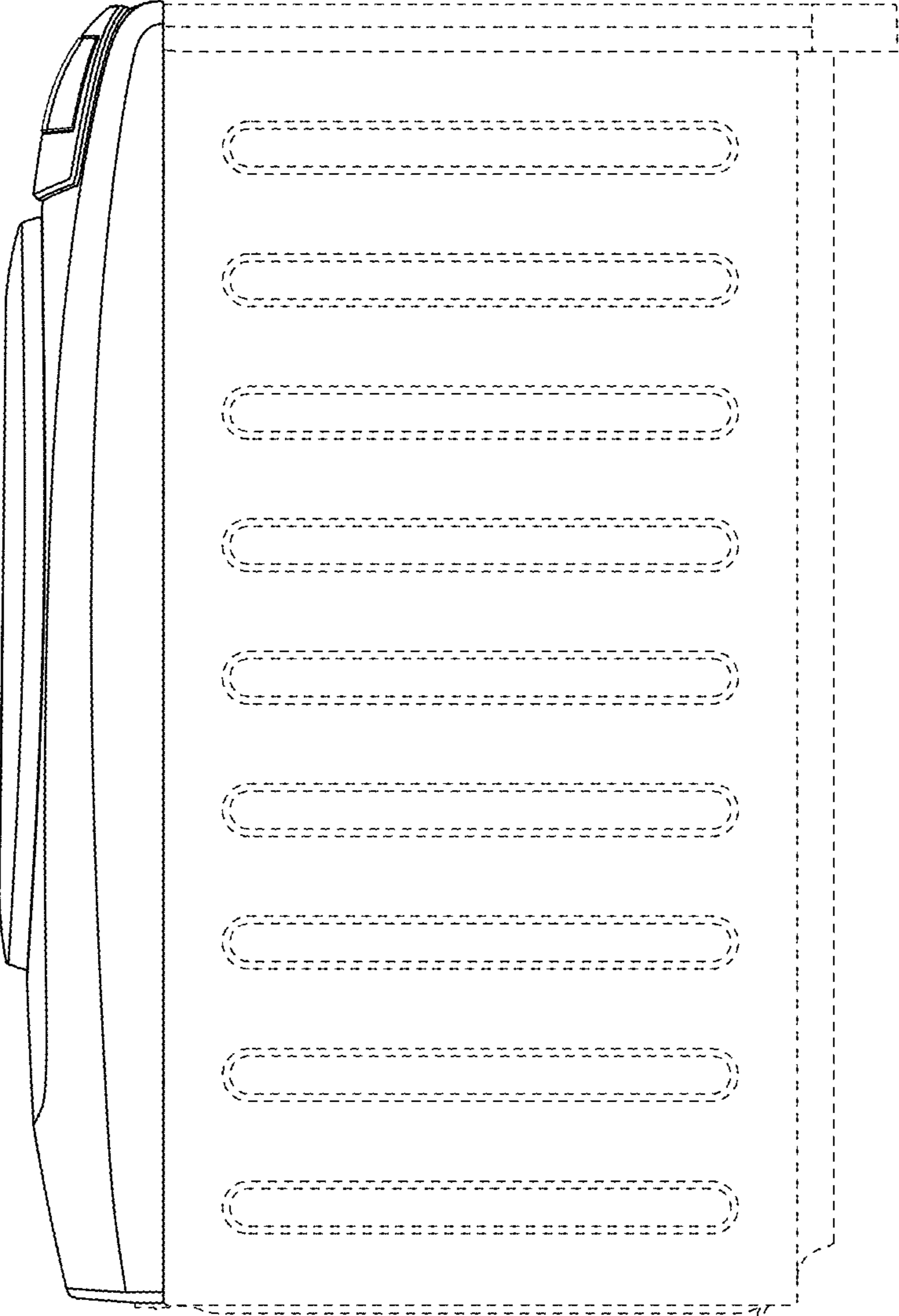


FIG. 4

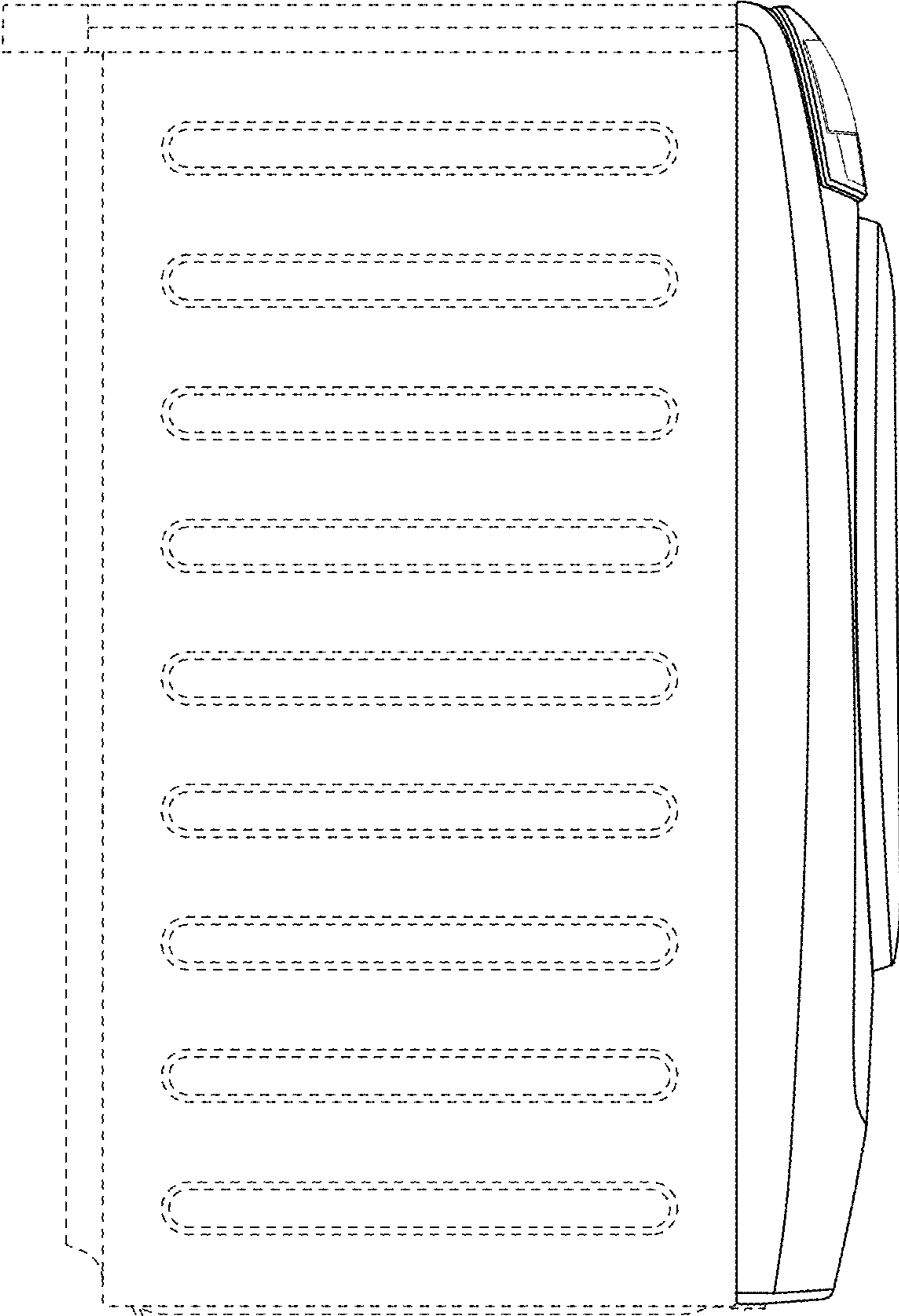


FIG. 5

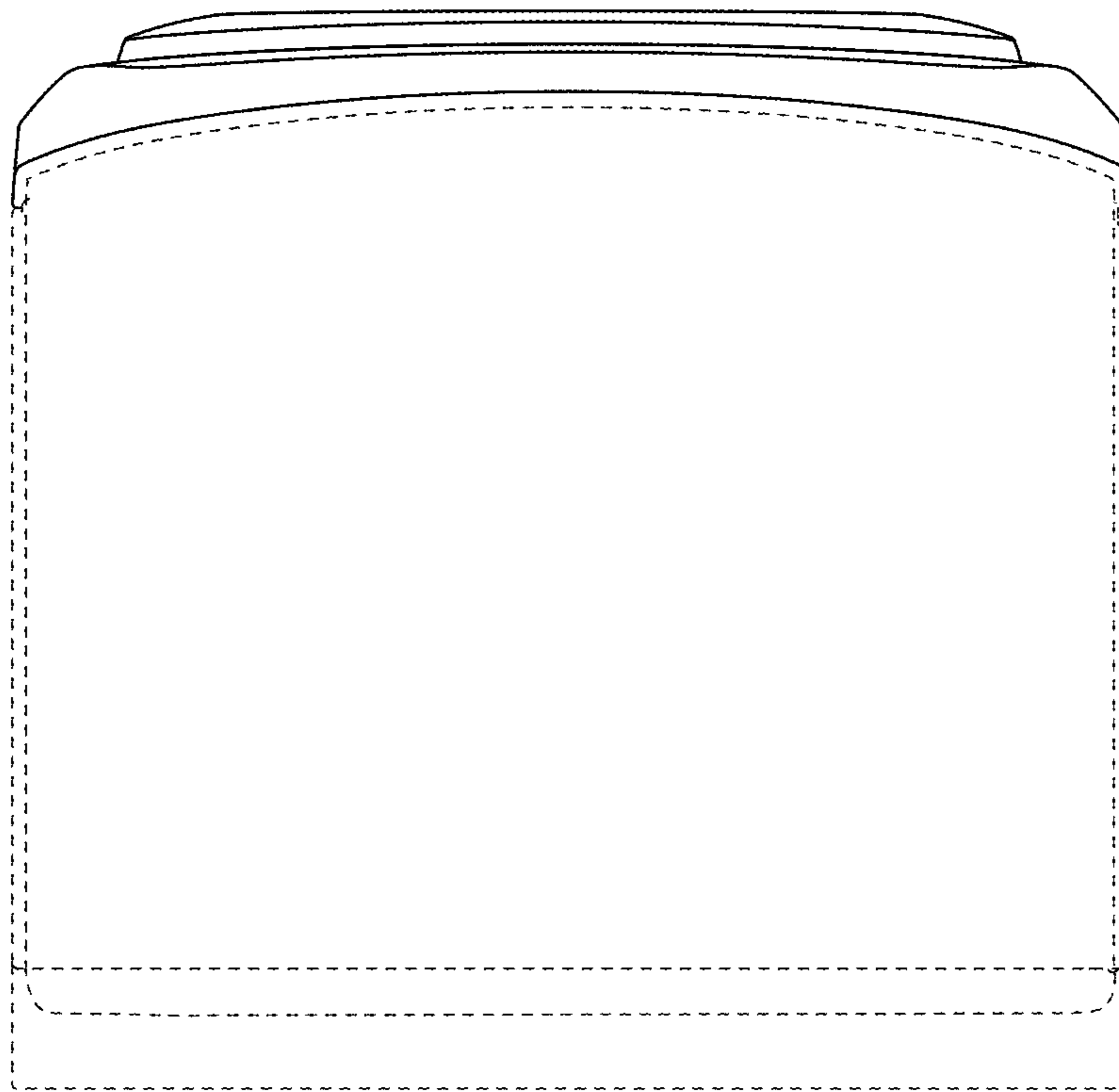


FIG. 6