



US00D770101S

(12) **United States Design Patent**
Petroni et al.

(10) **Patent No.:** **US D770,101 S**

(45) **Date of Patent:** **** Oct. 25, 2016**

(54) **PART OF MILKING MACHINE**

(71) Applicant: **PANAZOO ITALIANA S.R.L.**,
Binasco (IT)

(72) Inventors: **Davide Petroni**, Lacchiarella (IT);
Sabino Petroni, Lacchiarella (IT)

(73) Assignee: **PANAZOO ITALIANA S.R.L.**,
Binasco (IT)

(**) Term: **14 Years**

(21) Appl. No.: **29/511,934**

(22) Filed: **Dec. 15, 2014**

(30) **Foreign Application Priority Data**

Oct. 20, 2014 (EM) 002560417

(51) **LOC (10) Cl.** **30-99**

(52) **U.S. Cl.**
USPC **D30/199**

(58) **Field of Classification Search**
USPC D30/199, 121; 119/14.01-14.55;
702/182

CPC A01J 1/00-7/005; A01K 1/12; A01K
1/123; A01K 1/126

See application file for complete search history.

(56) **References Cited**

U.S. PATENT DOCUMENTS

- D278,133 S * 3/1985 Johnson D10/100
- 4,873,943 A * 10/1989 Pulvermacher G01F 1/64
119/14.15
- 4,922,855 A * 5/1990 Tomizawa A01J 5/007
119/14.08
- D336,252 S * 6/1993 Klose D10/52
- 6,307,362 B1 * 10/2001 Mangan A01J 5/0132
324/439
- D467,689 S * 12/2002 Court D30/199
- D483,276 S * 12/2003 Schabbach D10/103
- D484,819 S * 1/2004 Marshik D10/101
- D525,893 S * 8/2006 Kagan D10/99

- D526,920 S * 8/2006 Kagan D10/99
- D553,096 S * 10/2007 Pfingsten D13/162
- D562,168 S * 2/2008 Johnson D10/96
- D564,925 S * 3/2008 Makkonen D10/96
- D573,903 S * 7/2008 Gatz 10/46
- D575,652 S * 8/2008 Varini D10/96
- D578,906 S * 10/2008 Gatz D10/46
- D587,611 S * 3/2009 Oshima D10/83
- D609,591 S * 2/2010 Oshima D10/96
- D616,840 S * 6/2010 Perrier D14/126
- 7,770,460 B1 * 8/2010 Chen G01L 19/0038
73/756
- D631,861 S * 2/2011 Perrier D14/126

(Continued)

FOREIGN PATENT DOCUMENTS

IT 1882410 A1 * 1/2008 A01J 5/044

OTHER PUBLICATIONS

Interpuls Lactocorder CPL, <http://www.interpuls.com/products/smart-solutions-accessories/testing-equipment/lactocorder-cpl.html>
1 page, 2016.*

(Continued)

Primary Examiner — Susan Moon Lee

(74) *Attorney, Agent, or Firm* — Koppel, Patrick, Heybl
& Philpott

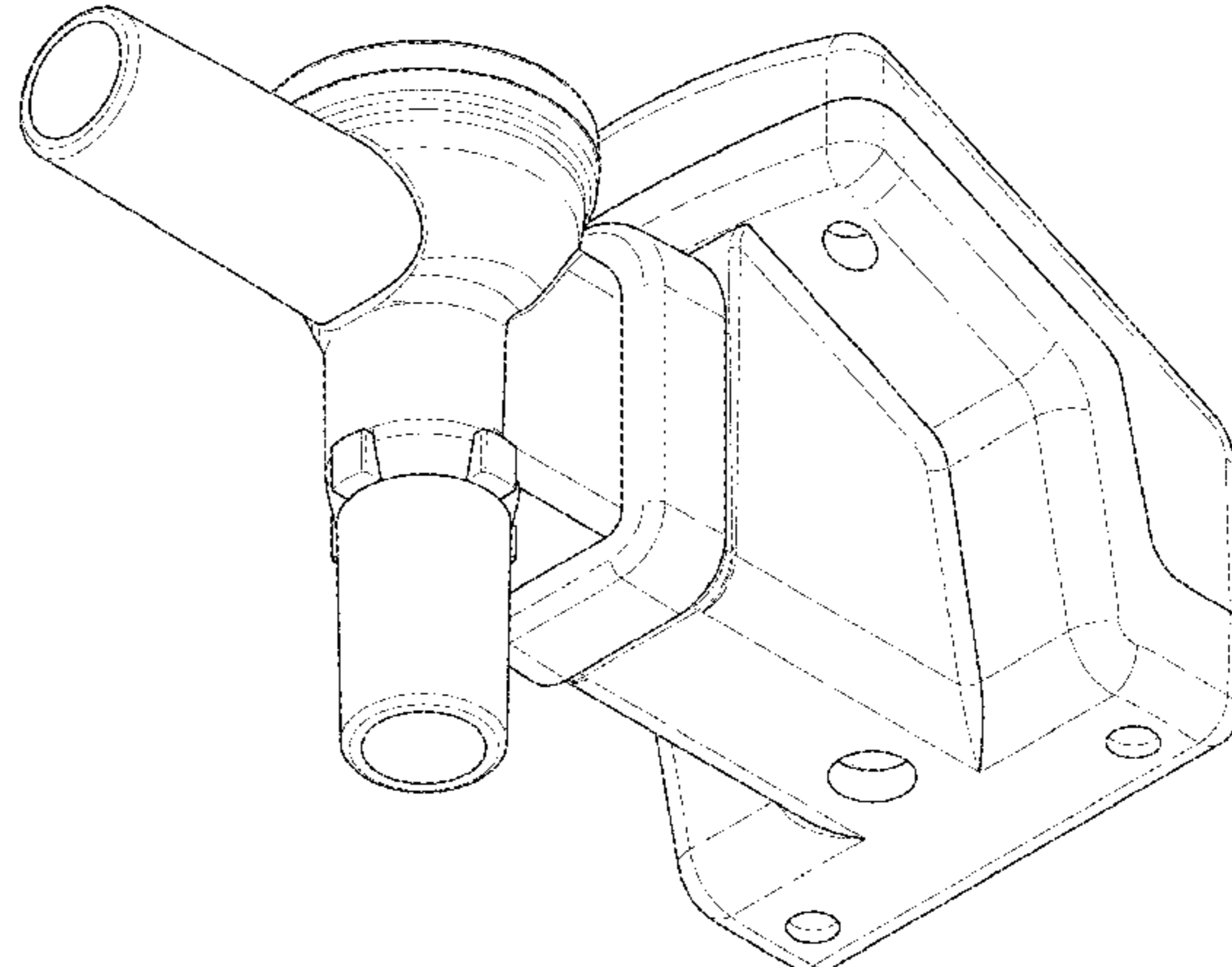
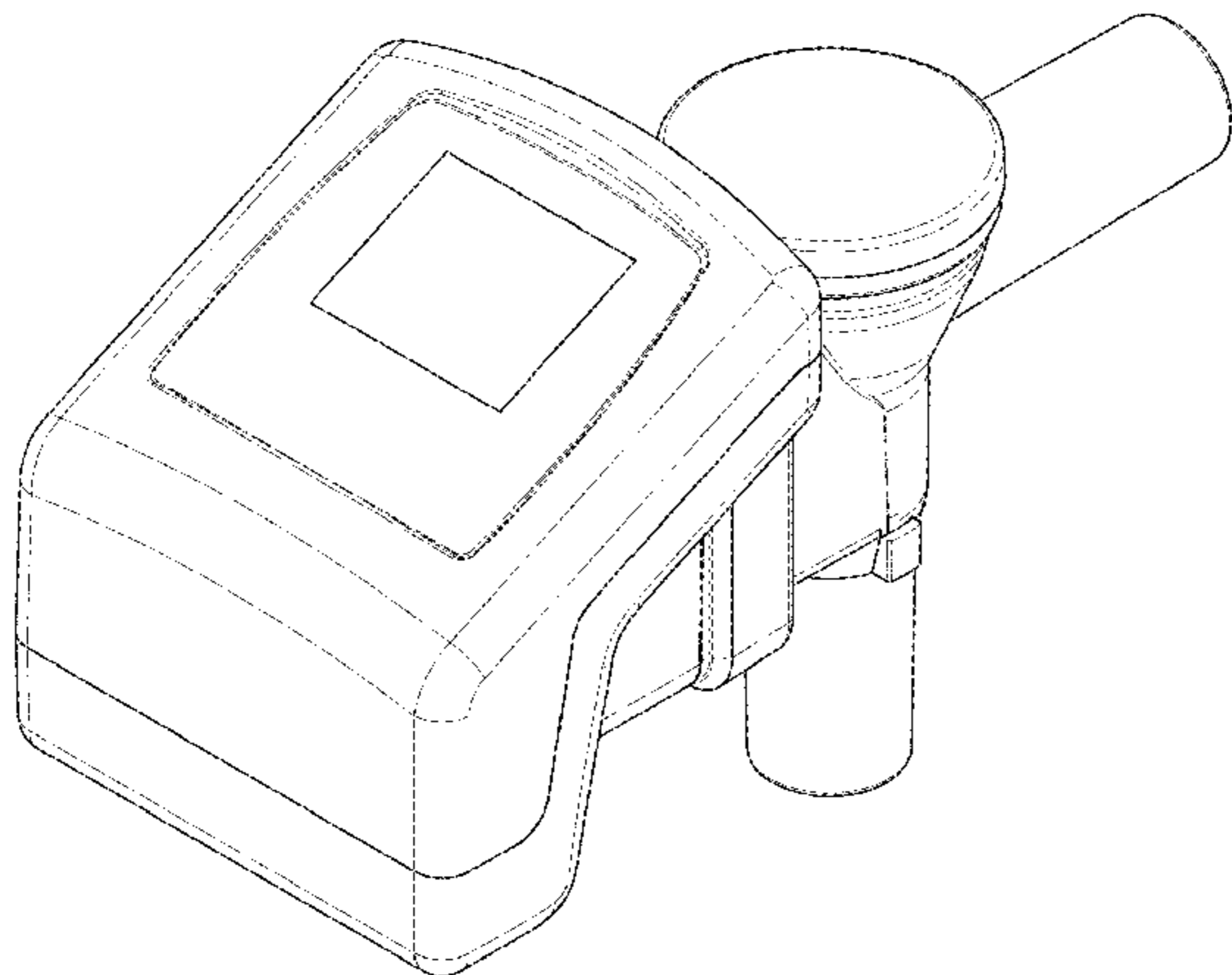
(57) **CLAIM**

The ornamental design for a part of milking machine, as shown.

DESCRIPTION

FIG. 1 is a front perspective view of a part of a milking machine showing our new design;
FIG. 2 is a front view thereof;
FIG. 3 is a rear view thereof;
FIG. 4 is a right side view thereof;
FIG. 5 is a top view thereof;
FIG. 6 is a bottom view thereof; and,
FIG. 7 is a rear perspective view thereof.

1 Claim, 7 Drawing Sheets



(56)

References Cited

U.S. PATENT DOCUMENTS

D654,383 S * 2/2012 Pfrengle D10/46
D662,844 S * 7/2012 Guerrero D10/96
D662,845 S * 7/2012 Guerrero D10/96
D698,678 S * 2/2014 Varini D10/96
D703,078 S * 4/2014 Hong D10/100
D710,226 S * 8/2014 Furey D10/96
2007/0289536 A1* 12/2007 Dunn A01J 5/01
119/14.14
2008/0066685 A1* 3/2008 Rysewyk A01J 5/0138
119/14.14

2011/0283810 A1* 11/2011 Hoefelmayr A01J 5/01
73/861.53
2013/0025541 A1* 1/2013 Axelson A01J 5/0132
119/14.02
2015/0146194 A1* 5/2015 Schonrock A01J 5/01
356/73

OTHER PUBLICATIONS

Interpuls Puls Test PTV and Flowmeter 7000L, <http://www.interpuls.com/products/smart-solutions-accessories/testing-equipment/pulstest-ptv-flowmeter-7000lmin.html> 1 page, 2016.*

* cited by examiner

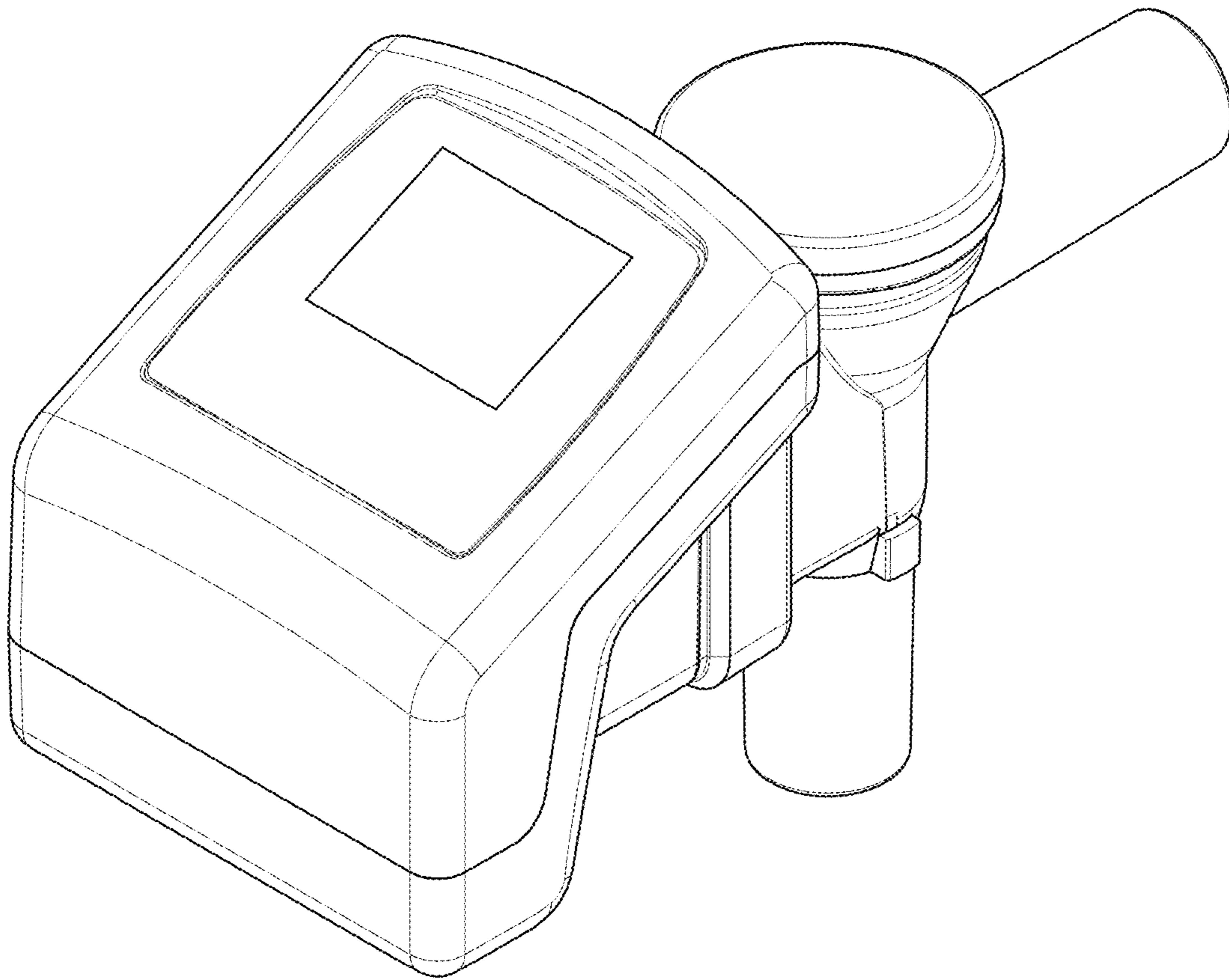


Fig. 1

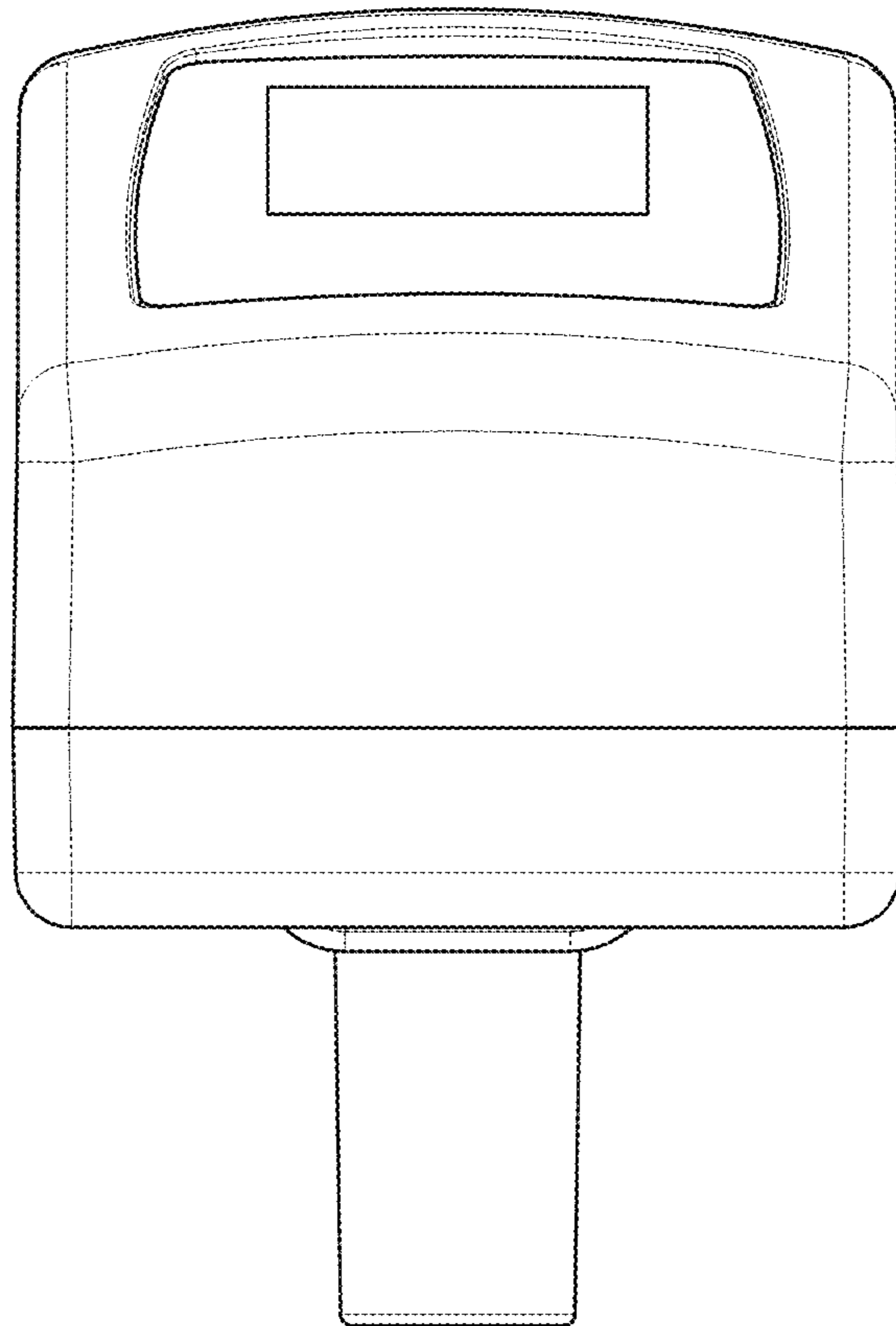


Fig. 2

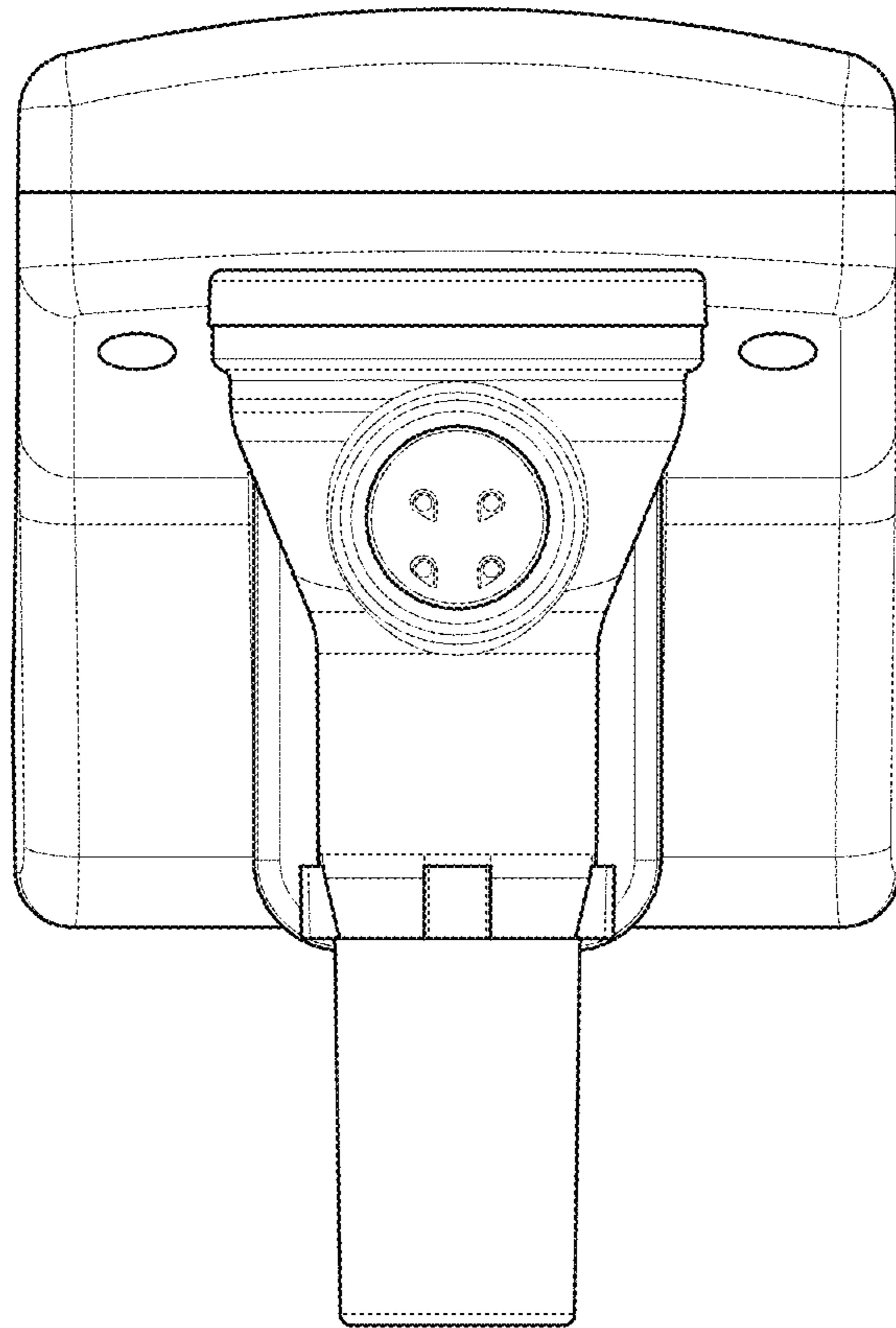


Fig. 3

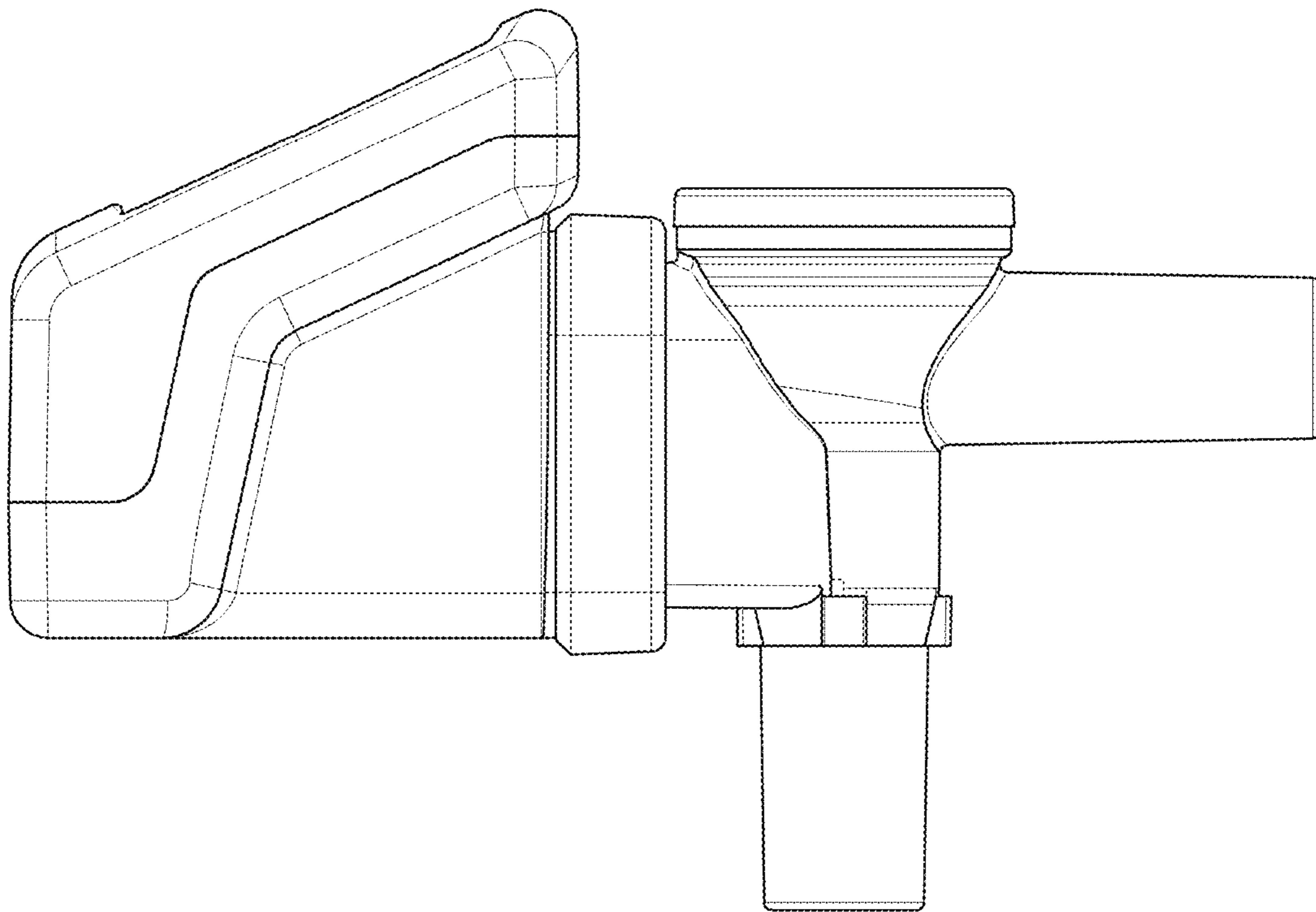


Fig. 4

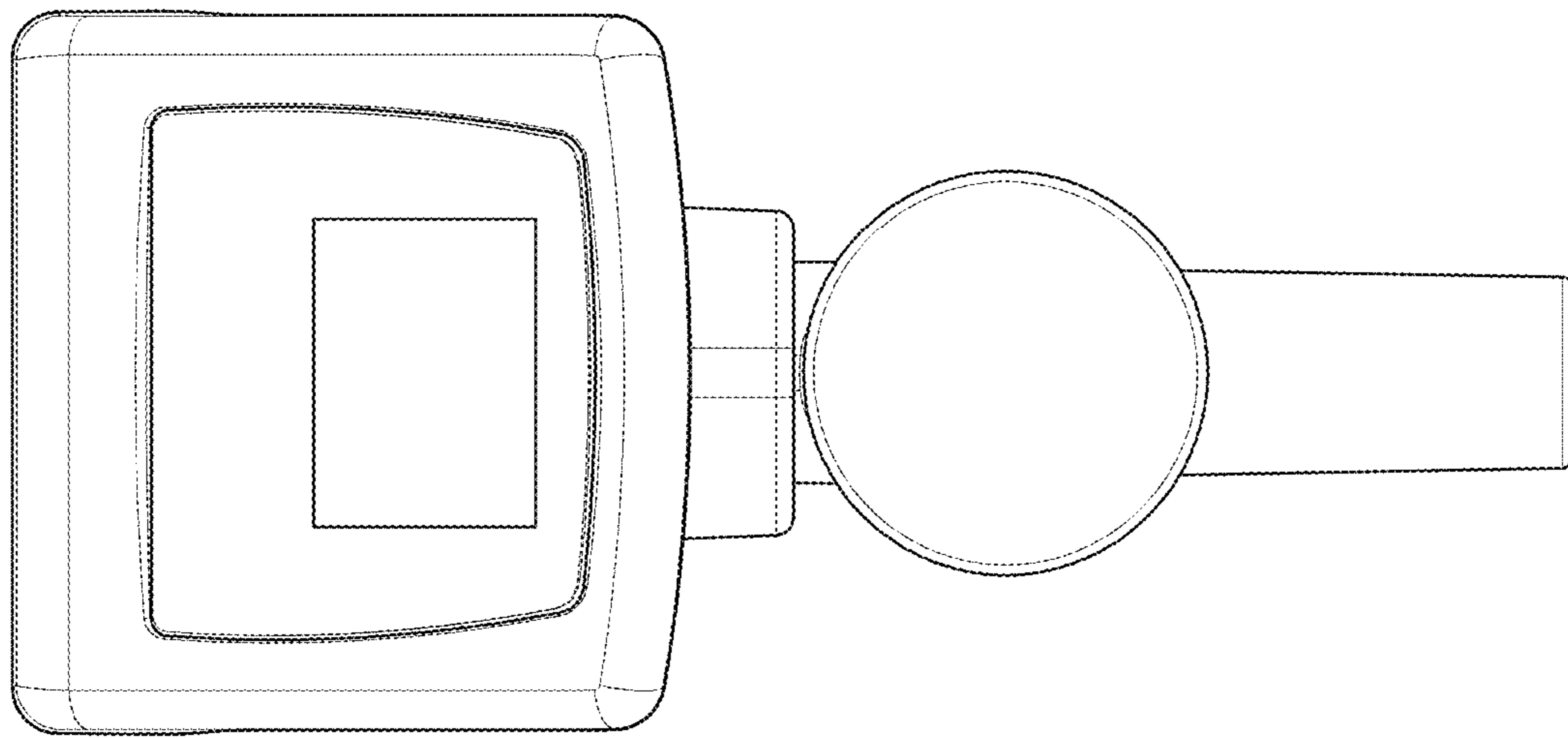


Fig. 5

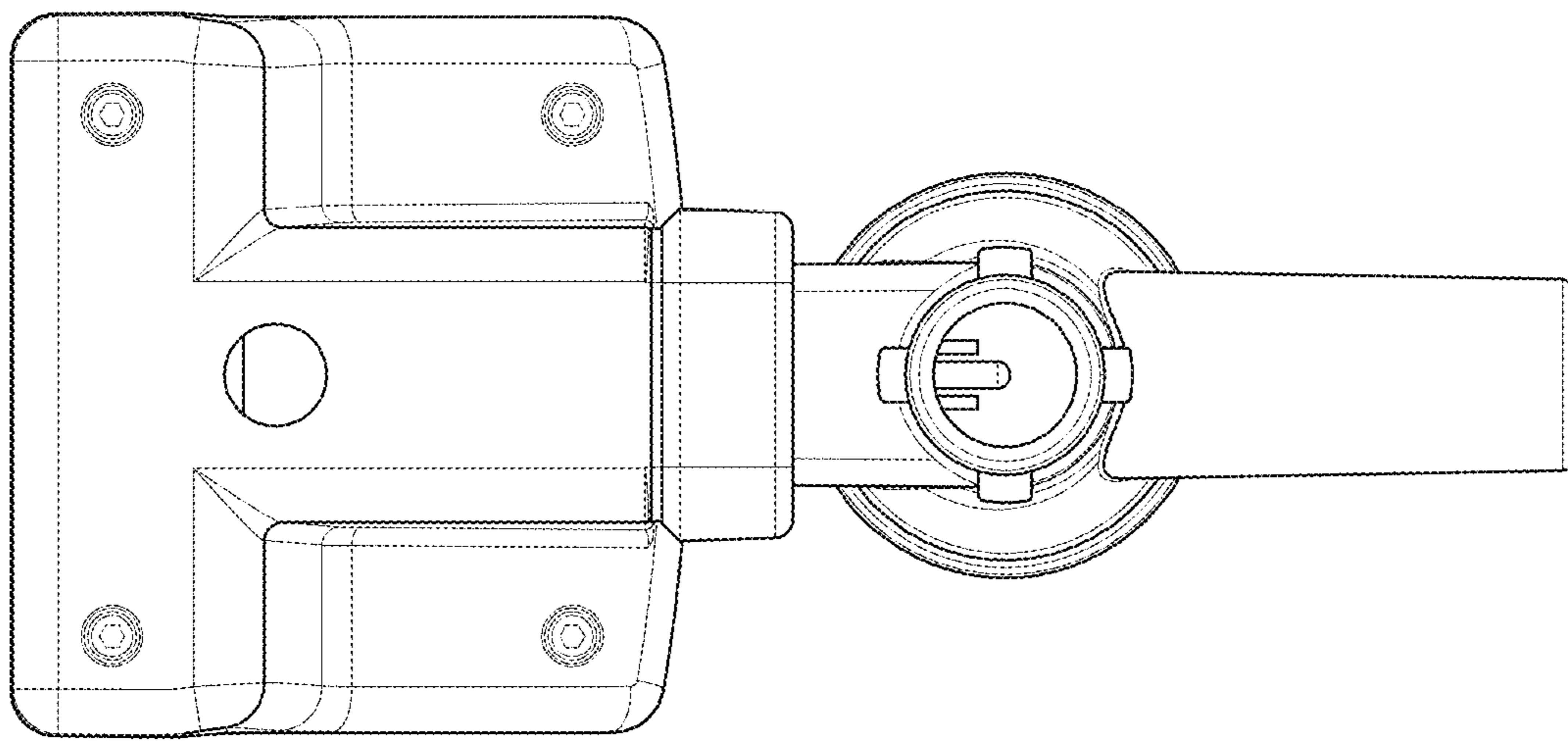


Fig. 6

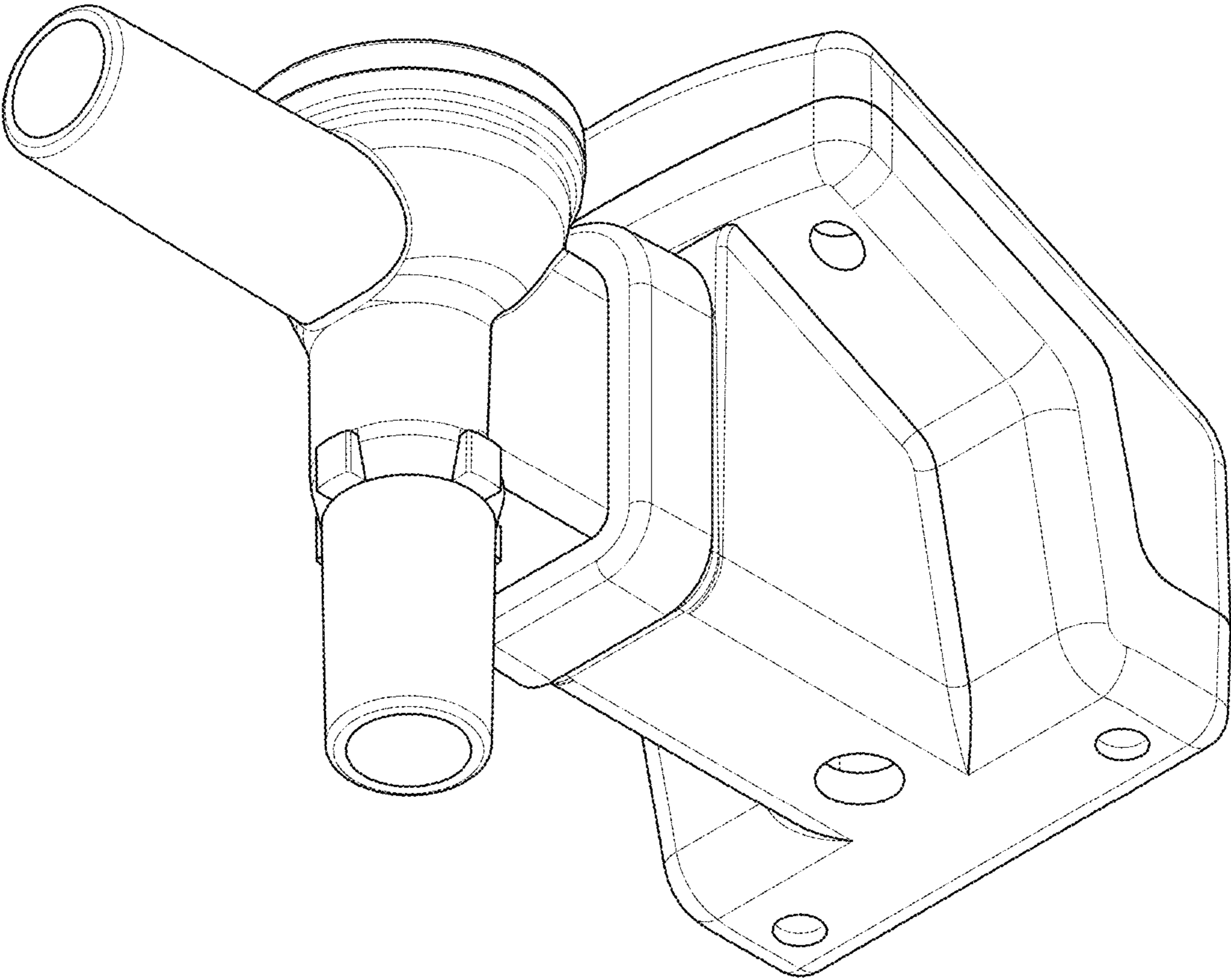


Fig. 7