



US00D770100S

(12) **United States Design Patent** (10) **Patent No.:** **US D770,100 S**
Burroughs et al. (45) **Date of Patent:** **** Oct. 25, 2016**

(54) **DOG WATERING DEVICE**
(71) Applicants: **Sheila Ann Burroughs**, Chino, CA (US); **Preston Brooks Burroughs**, Chino, CA (US); **Ethan Daniel Burroughs**, Chino, CA (US)
(72) Inventors: **Sheila Ann Burroughs**, Chino, CA (US); **Preston Brooks Burroughs**, Chino, CA (US); **Ethan Daniel Burroughs**, Chino, CA (US)
(**) Term: **15 Years**
(21) Appl. No.: **29/534,714**
(22) Filed: **Jul. 30, 2015**
(51) **LOC (10) Cl.** **30-03**
(52) **U.S. Cl.**
USPC **D30/132**; D30/121; D30/129
(58) **Field of Classification Search**
USPC D30/121-133; 119/51.01, 61, 51.04, 119/53, 57.91, 54, 53.5, 52.4, 51.11, 63, 119/61.2, 52.1, 57.5, 57.6, 51.13, 62, 75, 119/500, 501, 72, 72.5, 74, 78-81; 239/7, 239/687, 379, 397.5; 222/199, 181.1, 222/181.2, 185.1, 557, 156, 485, 486, 548, 222/555, 207, 205, 424, 438, 48, 206, 212, 222/215, 460, 461, 525, 86, 89; 220/200, 220/227, 247, 262, 694, 700, 701, 703, 220/660-662, 521, 705, 709, 287, 523, 220/574; 221/174, 185.1, 289, 295, 296, 221/559; 454/35; 209/270, 283, 244; 52/194, 192; 49/279, 344, 357; D34/28; D9/531, 549, 516, 523, 530, D9/538, 541, 544, 559, 719, 716; D7/300, D7/300.1, 302-305, 312, 316, 317, D7/507-512, 523, 524, 528, 700; D3/132; D15/143, 199; D28/4, 7, 9; D19/66; 141/343, 331, 340, 384, 330, 332, 383, 141/311 R, 313, 338, 344, 345; 210/455; 215/228, 231, 235, 319-383, 386, 215/DIG. 7, 388; 4/258, 259, 267; 206/459.1, 459.5, 501

CPC A01K 7/00; A01K 7/005; A01K 7/02; A01K 7/022; A01K 7/06; A01K 39/0213; A01K 39/02; B65D 41/26; B65D 41/265; B65D 41/28; B65D 41/32; B65D 41/325; B65D 41/34; B65D 41/56; B65D 51/20; B65D 51/249; B65D 51/24; B65D 51/28; B65D 47/243; B65D 2205/04; B65D 21/0238; B65D 81/3205; B65D 81/3216; B65D 71/50; B65D 77/2024; B65D 43/0212; B65D 2517/0049; B65D 2543/00046; B65D 2543/00092; B65D 2543/00537; B65D 2543/00731; B65D 2543/00796; B65D 2577/205; A61J 9/00; A61J 9/006; A61J 9/001; A61J 9/003; A61J 11/04; A61J 19/00; B65B 39/00; B65B 39/001; B65B 39/005; B65B 39/007; B67C 11/02; G01F 11/286; B67B 7/28

See application file for complete search history.

(56) **References Cited**

U.S. PATENT DOCUMENTS

202,268 A * 4/1878 Keller B65D 41/26
141/381

(Continued)

Primary Examiner — Susan Moon Lee
(74) *Attorney, Agent, or Firm* — Dunlap Bennett & Ludwig PLLC

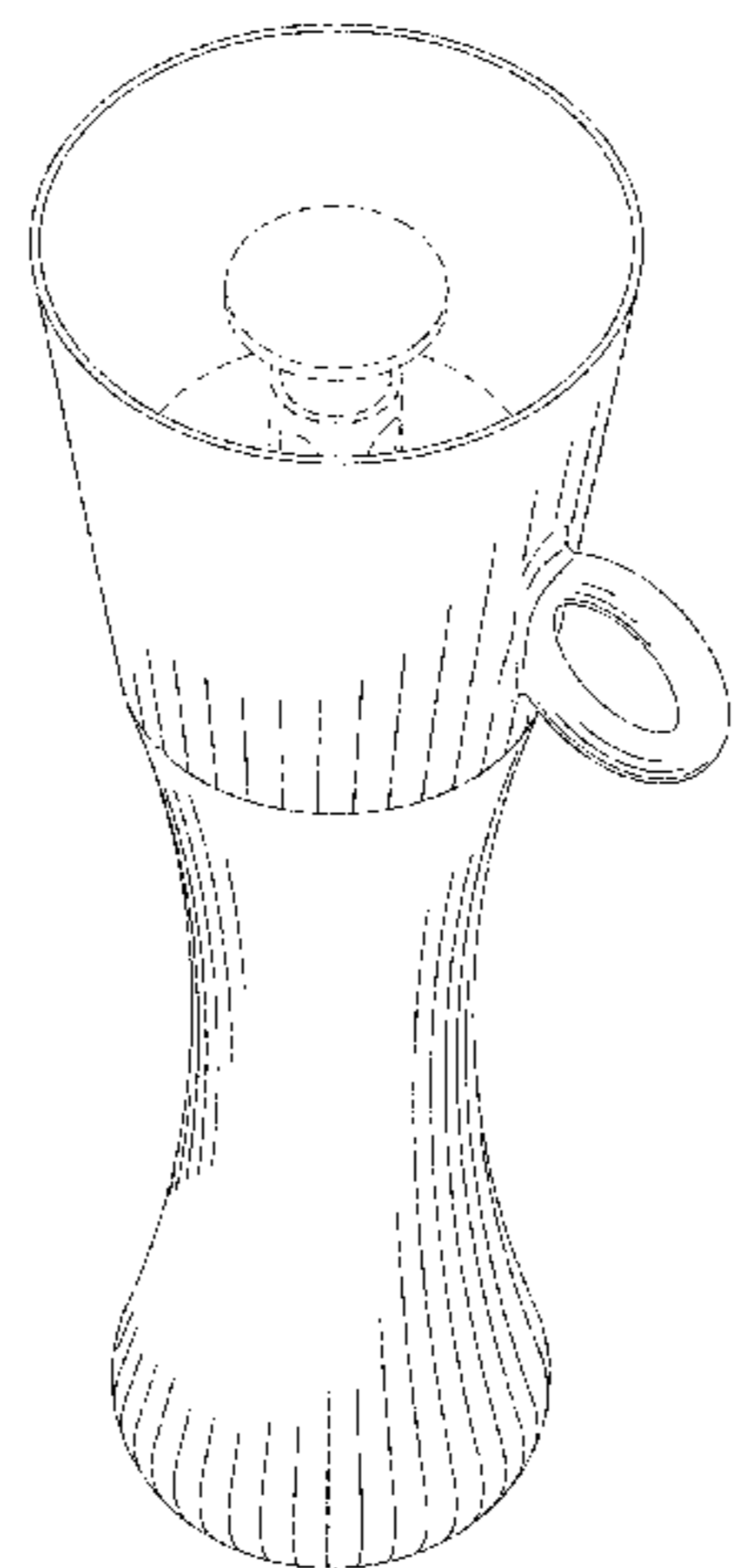
(57) **CLAIM**

The ornamental design for a dog watering device, as shown and described.

DESCRIPTION

FIG. 1 is a front perspective view of a dog watering device; FIG. 2 is a front view of the invention, the back view being a mirror image thereof; FIG. 3 is a left side view thereof; FIG. 4 is a right side view thereof; FIG. 5 is a top view thereof; and, FIG. 6 is a bottom view thereof.
The broken lines shown in the drawings illustrate portions of the dog watering device that form no part of the claimed design.

1 Claim, 3 Drawing Sheets



(56)

References Cited

U.S. PATENT DOCUMENTS

254,760 A * 3/1882 Zeilin B65D 41/26
 141/381
 434,423 A * 8/1890 Burrows A47G 19/2272
 215/370
 445,086 A * 1/1891 Scheller A61J 19/00
 4/258
 463,473 A * 11/1891 Beam B65B 1/24
 141/331
 518,530 A * 4/1894 McAlpin B65D 51/246
 215/277
 790,080 A * 5/1905 Seavy B65D 1/02
 141/331
 1,061,888 A * 5/1913 Von Der Crone B67C 11/066
 137/433
 1,104,354 A * 7/1914 Gentle B67C 11/063
 141/335
 1,134,837 A * 4/1915 Fox B01D 23/28
 141/331
 1,210,397 A * 1/1917 Bang A61J 19/00
 131/236
 1,507,185 A * 9/1924 Jones A61C 17/14
 4/262
 1,829,664 A * 10/1931 McKay A47J 19/022
 211/14
 2,019,071 A * 10/1935 Carr A61H 35/02
 215/DIG. 7
 D98,420 S * 2/1936 Deskey D7/523
 D98,763 S * 3/1936 Guild D7/300.1
 D101,721 S * 10/1936 Spinelli et al. 215/6
 2,107,309 A * 2/1938 Smith B65D 23/00
 215/228
 D113,154 S * 1/1939 Wellman 215/383
 D147,113 S * 7/1947 Cravaritis 220/568
 2,440,783 A * 5/1948 Peart A24F 19/145
 131/236
 2,543,427 A * 2/1951 Warne B65D 41/26
 141/381
 D168,344 S * 12/1952 Goldman D7/300.1
 2,695,614 A * 11/1954 Lockhart B65D 25/082
 206/221
 2,782,614 A * 2/1957 Currie B65D 25/20
 220/718
 2,802,609 A * 8/1957 Donovan B65D 25/48
 220/697
 2,827,194 A * 3/1958 Matton B65D 41/26
 215/227
 2,881,952 A * 4/1959 Dungey B67B 7/28
 220/703
 3,021,977 A * 2/1962 Hester B65D 47/06
 215/387
 D196,777 S * 11/1963 Haynes D27/133
 3,163,318 A * 12/1964 Frank B65D 83/40
 220/780
 3,191,645 A * 6/1965 Dailey B65D 41/26
 141/381
 3,241,724 A * 3/1966 Lerner A47G 21/187
 222/146.1
 3,246,807 A * 4/1966 Micallef G01F 11/286
 222/207
 3,413,128 A * 11/1968 Steinbarth B65D 51/28
 215/386
 D218,979 S * 10/1970 Kofford D30/132
 3,581,953 A * 6/1971 Donoghue B65D 35/40
 222/207
 D222,800 S * 1/1972 Donoghue D9/504
 3,705,668 A * 12/1972 Schwartzman B65D 47/2075
 222/207
 D229,320 S * 11/1973 Kitson D30/121
 D229,917 S * 1/1974 Swett D10/46.3
 D230,003 S * 1/1974 Levin D7/527
 3,910,618 A * 10/1975 Massenz A61F 9/0061
 294/1.2
 3,921,860 A * 11/1975 Zackheim B65D 83/00
 222/207
 4,054,205 A * 10/1977 Blow, Jr. B65D 25/20
 206/217
 D248,004 S * 5/1978 Simpson D11/146
 4,106,673 A * 8/1978 Donoghue G01F 11/286
 222/207
 4,146,154 A * 3/1979 Mastman A47K 5/122
 222/109
 4,307,682 A * 12/1981 Bollman A01K 39/02
 119/75
 D267,461 S * 1/1983 Crisman D7/507
 D271,215 S * 11/1983 Hinkle D19/66
 4,416,381 A * 11/1983 Swartwout B65D 41/26
 215/228
 4,474,312 A * 10/1984 Donoghue G01F 11/286
 222/205
 D283,287 S * 4/1986 Bosteels D11/154
 D290,324 S * 6/1987 Ritman D7/536
 4,693,410 A * 9/1987 Selz A47G 19/2205
 215/228
 D300,477 S * 3/1989 Terbush D30/130
 D302,225 S * 7/1989 Shapard D26/22
 D310,768 S * 9/1990 Levine D7/507
 4,984,723 A * 1/1991 Hsu A45F 3/04
 215/10
 4,995,519 A * 2/1991 Rose A61J 1/067
 206/532
 5,037,406 A * 8/1991 Smith A61F 9/0026
 222/568
 5,070,817 A * 12/1991 Momont A01K 39/0213
 119/75
 5,080,149 A * 1/1992 Peoples B65D 1/0292
 141/331
 5,085,330 A * 2/1992 Paulin A47G 19/2272
 215/387
 D324,973 S * 3/1992 Slagerman D7/507
 D325,783 S * 4/1992 Anderson D24/193
 5,140,711 A * 8/1992 Johnson A61J 19/00
 141/340
 5,180,079 A * 1/1993 Jeng A47G 19/065
 206/217
 D334,120 S * 3/1993 Faught D7/700
 D350,481 S * 9/1994 DeLury D27/133
 D351,458 S * 10/1994 Linner D23/260
 D359,654 S * 6/1995 Westgerdes D7/510
 5,465,835 A * 11/1995 Schumacher B65D 81/3222
 206/219
 5,479,970 A * 1/1996 Trani B67C 11/02
 141/297
 D367,413 S * 2/1996 Ballin D10/46.2
 5,573,131 A * 11/1996 Berjis A47G 19/2272
 220/4.03
 5,628,276 A * 5/1997 Raposa A01K 5/0114
 119/61.54
 5,732,851 A * 3/1998 Griffin A47G 23/0266
 220/710.5
 5,762,120 A * 6/1998 Smith B67C 11/02
 141/331
 D397,911 S * 9/1998 Waldmann D7/347
 5,809,935 A * 9/1998 Kolterman A01K 7/02
 119/74
 D400,051 S * 10/1998 Miyagi D7/523
 D400,316 S * 10/1998 Kolterman D30/129
 D409,051 S * 5/1999 Huang D7/598
 5,921,296 A * 7/1999 Porter B67C 11/02
 141/331
 5,992,702 A * 11/1999 Shapiro A01K 7/00
 222/192
 D418,015 S * 12/1999 Santini D7/513
 D432,915 S * 10/2000 Smith D9/436
 6,209,737 B1 * 4/2001 Bliss B65D 23/065
 215/228
 6,223,792 B1 * 5/2001 Slagle B65D 47/243
 141/311 R
 D452,409 S * 12/2001 Thun D7/316
 6,338,417 B1 * 1/2002 Ferraro B65D 21/0228
 206/217
 6,405,675 B1 * 6/2002 Mills A01K 7/00
 119/51.5

(56)

References Cited

U.S. PATENT DOCUMENTS

6,425,424	B1 *	7/2002	Ellis Calvo	B65B 39/00 141/331	8,596,480	B2 *	12/2013	Arjomand	B65D 7/04 206/218
6,427,864	B1 *	8/2002	Asselin	B65D 21/0224 206/217	8,689,987	B2 *	4/2014	Lewis	A61J 11/04 141/322
6,474,494	B1 *	11/2002	Miller	A47G 19/065 206/217	D704,383	S *	5/2014	Edlin	D30/121
6,502,418	B2 *	1/2003	Holley, Jr.	A47G 19/2288 62/457.3	D706,582	S *	6/2014	Oas	D7/510
D471,767	S *	3/2003	Ucar Cortes	D7/598	8,807,083	B1 *	8/2014	Ross	A01K 7/00 119/72
6,539,991	B1 *	4/2003	Ackerman	B44D 3/128 141/311 A	8,807,372	B2 *	8/2014	Kao	B65D 21/0238 215/319
D485,730	S *	1/2004	Thun	D7/511	8,870,010	B2 *	10/2014	Buck	A47G 19/2205 206/217
6,702,138	B1 *	3/2004	Bielecki	A47G 19/2272 220/254.9	D719,409	S *	12/2014	Wampold	D7/523
6,706,297	B1 *	3/2004	Toth	A47G 19/065 206/223	8,939,312	B1 *	1/2015	Buck	A47G 19/065 220/212
D493,338	S *	7/2004	Scott	D7/682	D728,297	S *	5/2015	Melzer	D7/300.1
6,981,469	B1 *	1/2006	Welbourne	A01K 39/0213 119/72	D741,025	S *	10/2015	Ross	D30/121
D515,359	S *	2/2006	Andrews	D7/523	D746,636	S *	1/2016	Anzalone	D7/503
7,055,717	B1 *	6/2006	Koh	A61J 7/02 221/289	2002/0066677	A1 *	6/2002	Moscovitz	B65D 51/2835 206/219
D534,037	S *	12/2006	Oas	D7/507	2002/0066679	A1 *	6/2002	Moscovitz	B65D 51/2835 206/221
7,165,510	B2 *	1/2007	Hakes	A61D 1/02 119/652	2004/0211366	A1 *	10/2004	Jarke	A01K 1/0356 119/75
D536,205	S *	2/2007	Jensen	D7/300	2004/0262252	A1 *	12/2004	Hammer	B65D 41/26 215/228
D540,124	S *	4/2007	Ross	D7/509	2004/0262323	A1 *	12/2004	Cha	A47G 19/065 220/709
7,217,434	B1 *	5/2007	Loh	B65D 81/3205 206/217	2005/0155974	A1 *	7/2005	Amron	A47G 19/2255 220/718
D548,528	S *	8/2007	Cha	D7/509	2006/0054240	A1 *	3/2006	Perry	G01F 19/00 141/95
D553,442	S *	10/2007	Bodum	D7/509	2006/0086755	A1 *	4/2006	Roth	B65D 21/0204 222/129
7,341,754	B1 *	3/2008	Loh	B65D 21/0238 206/217	2006/0086756	A1 *	4/2006	Roth	B65D 21/0204 222/129
D567,566	S *	4/2008	Beha	D7/300	2006/0273087	A1 *	12/2006	Crawford	A47G 19/2227 220/212
D569,187	S *	5/2008	Sandberg	D7/509	2008/0011710	A1 *	1/2008	Cohn	B65D 41/26 215/329
7,387,049	B1 *	6/2008	Ver Hage	A01K 7/00 53/490	2008/0087224	A1 *	4/2008	Wechsler	A01K 7/00 119/52.1
7,404,345	B1 *	7/2008	Dipprey	B67B 7/16 81/3.09	2008/0115732	A1 *	5/2008	Stenberg	A01K 7/02 119/74
D576,848	S *	9/2008	Williams	D7/700	2009/0065377	A1 *	3/2009	Olomi	B65D 41/26 206/217
D588,871	S *	3/2009	Miller	D7/510	2009/0107582	A1 *	4/2009	Sayage	B65D 51/24 141/340
D593,365	S *	6/2009	Miller	D7/510	2010/0003379	A1 *	1/2010	Zoss	B65D 51/247 426/115
D595,091	S *	6/2009	Poindexter	D7/532	2010/0313817	A1 *	12/2010	Krasner	A01K 7/00 119/72.5
D596,901	S *	7/2009	Zatzman	D7/506	2010/0314418	A1 *	12/2010	Roth	B65D 41/26 222/205
D599,621	S *	9/2009	Poindexter	D7/532	2012/0292283	A1 *	11/2012	Kornbrust	B65D 41/26 215/228
7,690,521	B1 *	4/2010	Herrera	A61J 11/04 141/340	2012/0298045	A1 *	11/2012	Wechsler	A01K 7/00 119/52.1
D621,648	S *	8/2010	Lown	D7/300.1	2013/0228486	A1 *	9/2013	Buck	B65D 21/0238 206/459.1
D622,547	S *	8/2010	Carreno	D7/510	2014/0147559	A1 *	5/2014	Aidan	B65D 23/12 426/115
7,815,073	B1 *	10/2010	Fairchild	A47G 19/02 206/219	2014/0151390	A1 *	6/2014	Kohler	A47G 19/12 220/825
D635,403	S *	4/2011	Conway	D11/152	2015/0298867	A1 *	10/2015	Sanderson	A01K 7/00 215/6
D641,255	S *	7/2011	Williams	D9/719	2016/0050884	A1 *	2/2016	Ross	A01K 7/00 119/74
8,002,129	B1 *	8/2011	Reyes	B65D 1/04 215/387					
D646,920	S *	10/2011	Sheppard	D7/316					
D654,320	S *	2/2012	McClellan	D7/513					
8,109,399	B1 *	2/2012	Sheffield	B65D 23/00 141/340					
D660,649	S *	5/2012	McClellan	D11/154					
8,196,622	B1 *	6/2012	Fisher	B65B 39/007 141/330					
D663,592	S *	7/2012	Bridges	D7/396.2					
D671,786	S *	12/2012	Lin	D7/300.1					
8,387,566	B2 *	3/2013	Graves	A01K 7/02 119/51.01					
8,459,493	B2 *	6/2013	Suarez, Jr.	A47G 19/065 206/217					
8,485,378	B2 *	7/2013	Zoss	A47G 19/02 206/219					

* cited by examiner

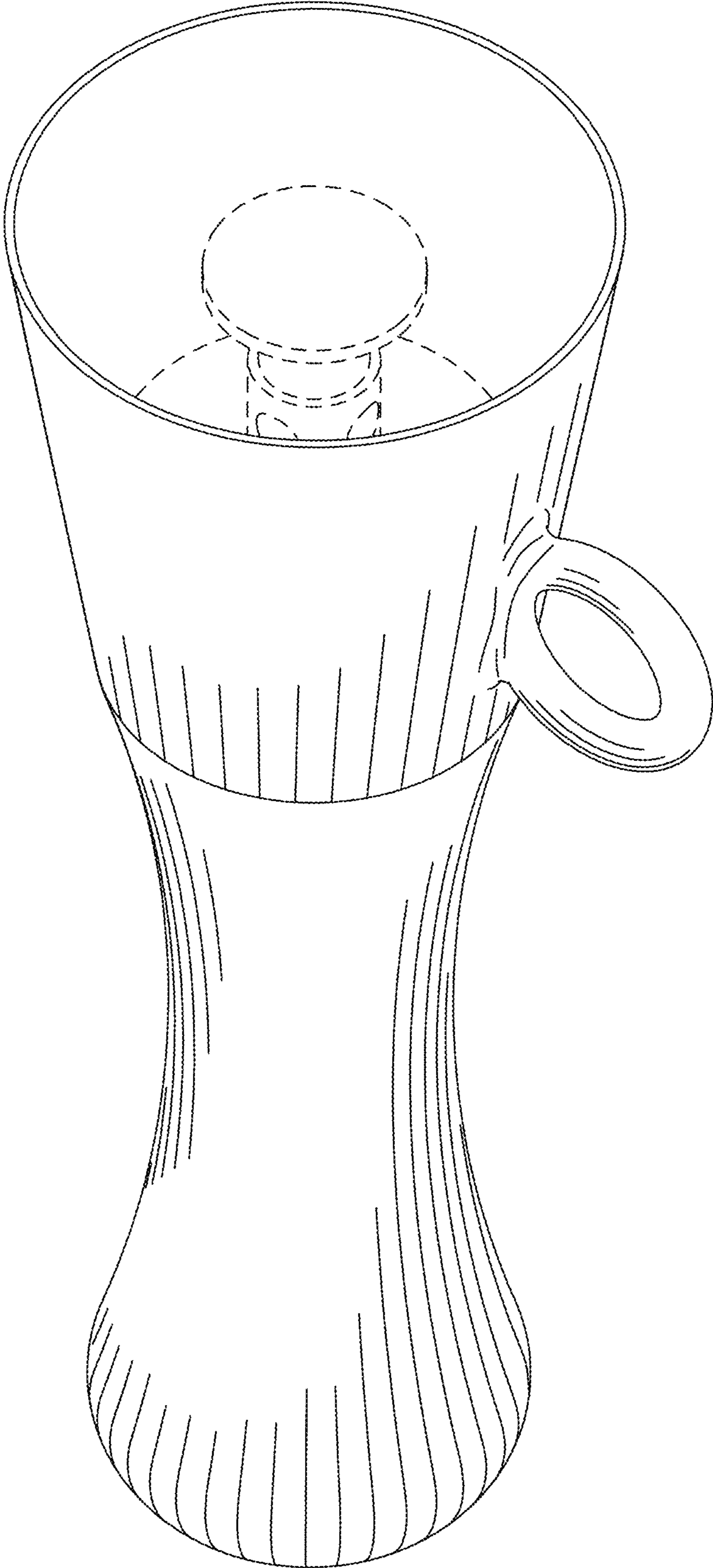


FIG. 1

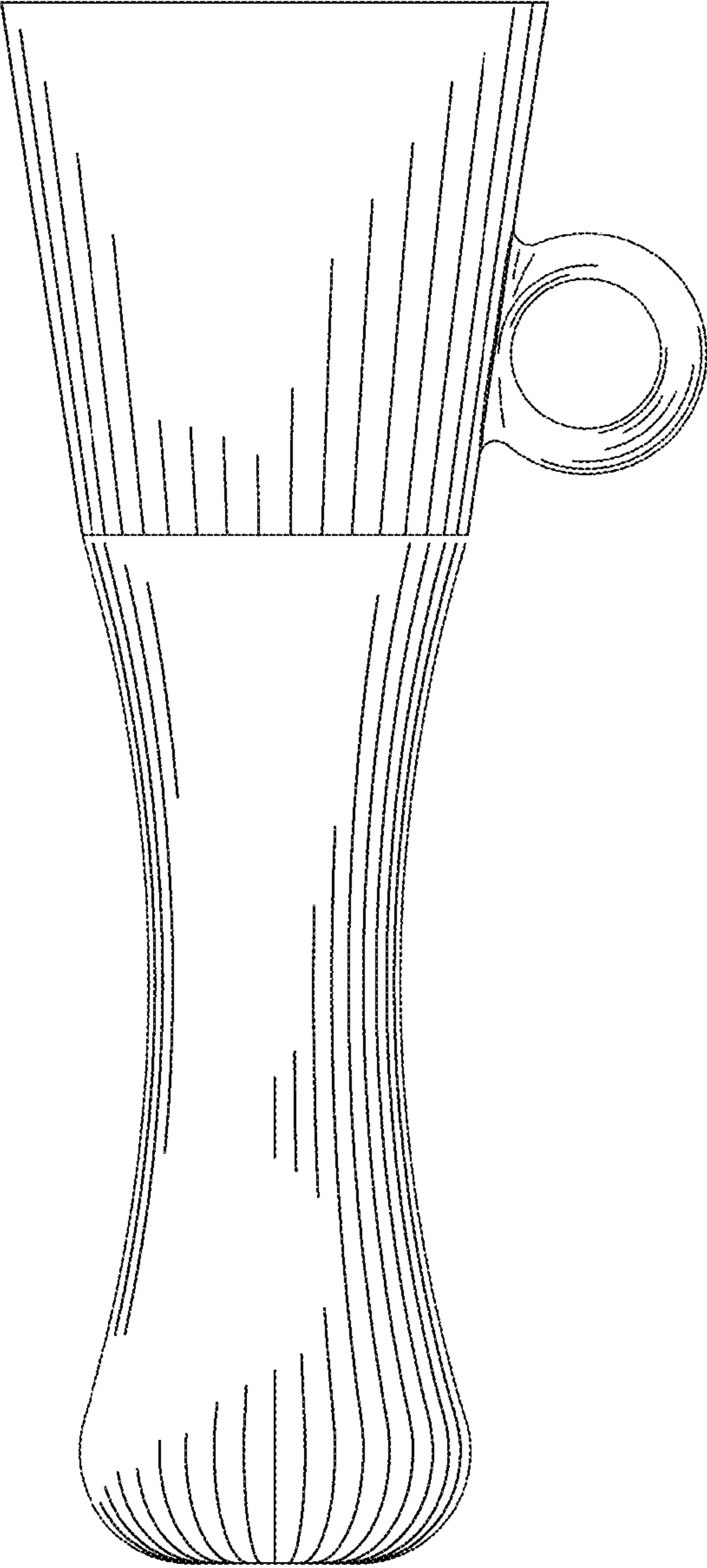


FIG. 2

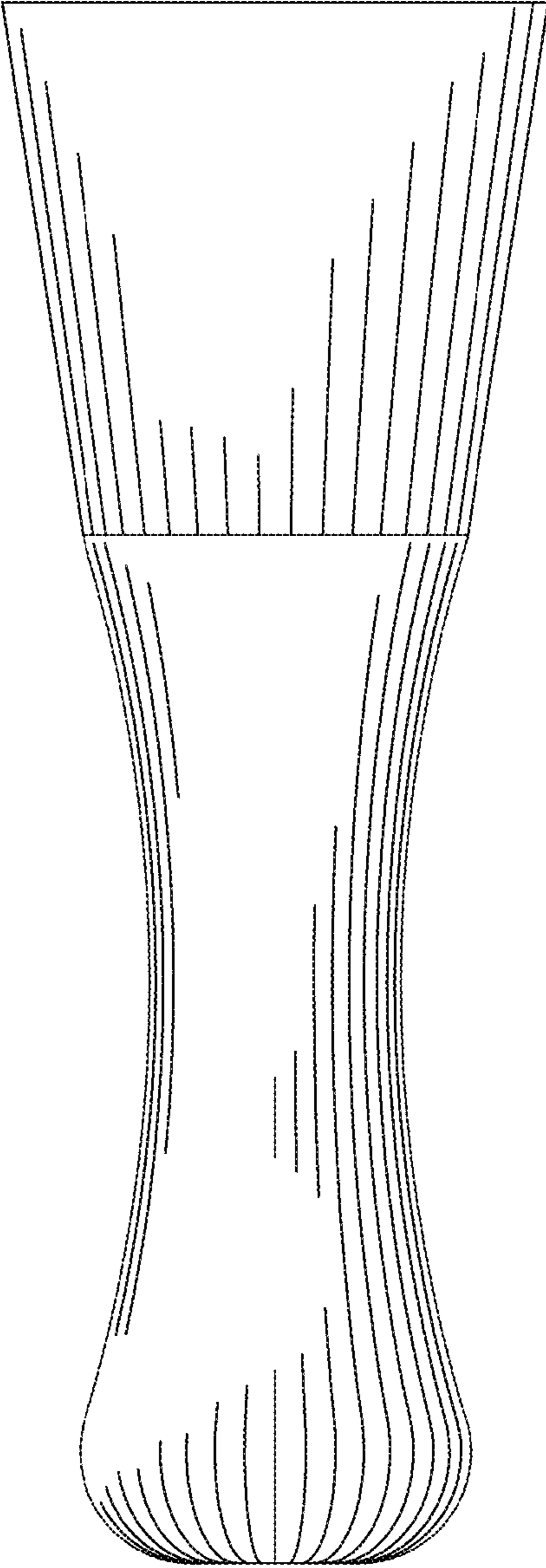


FIG. 3

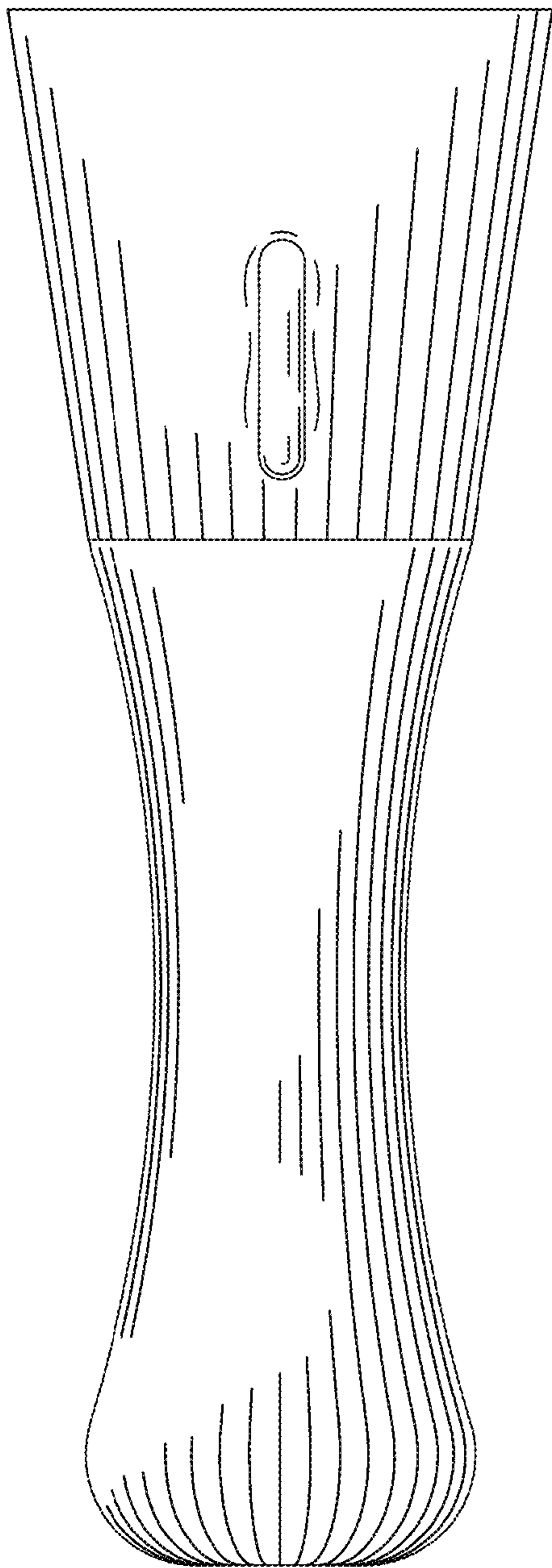


FIG. 4

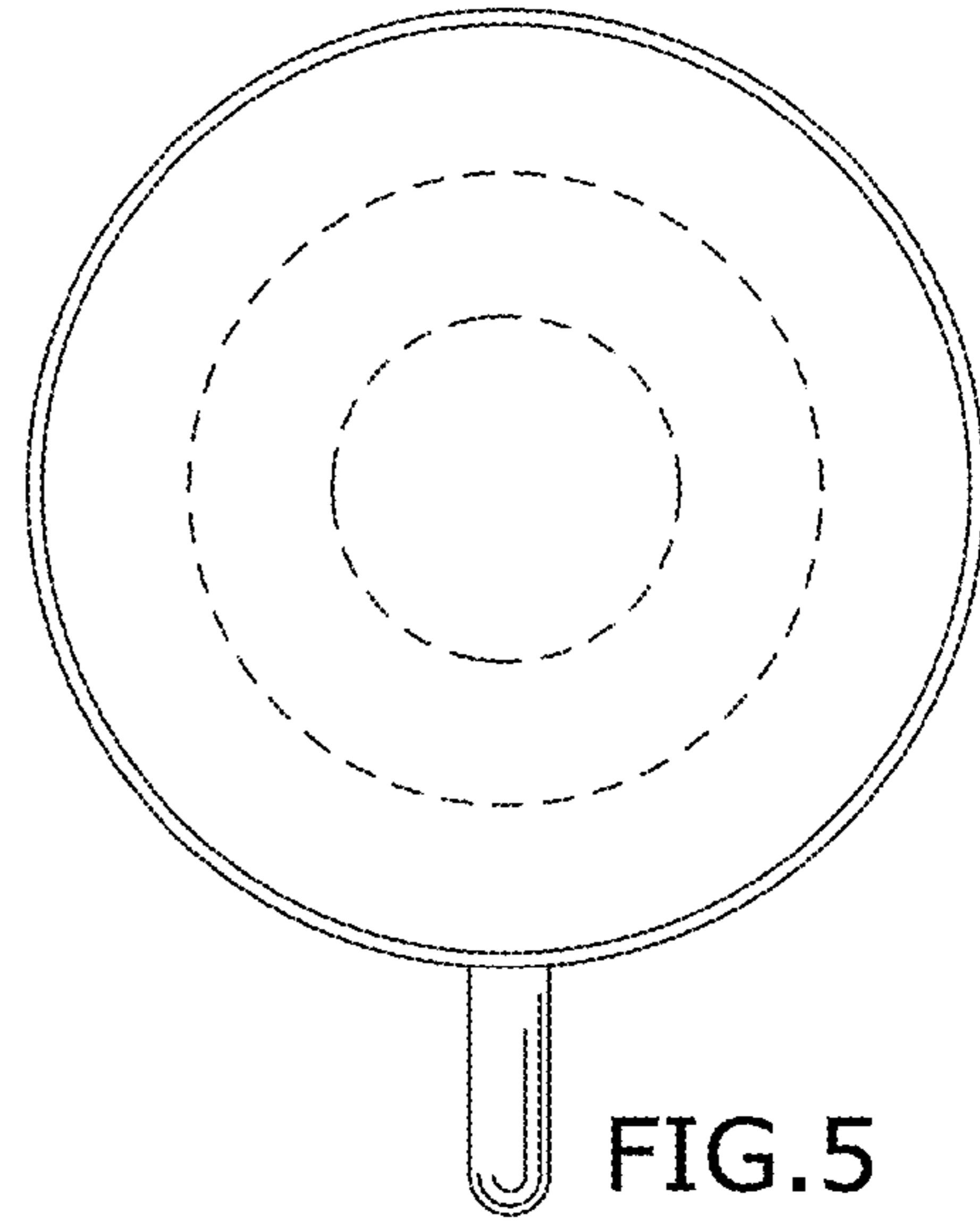


FIG. 5

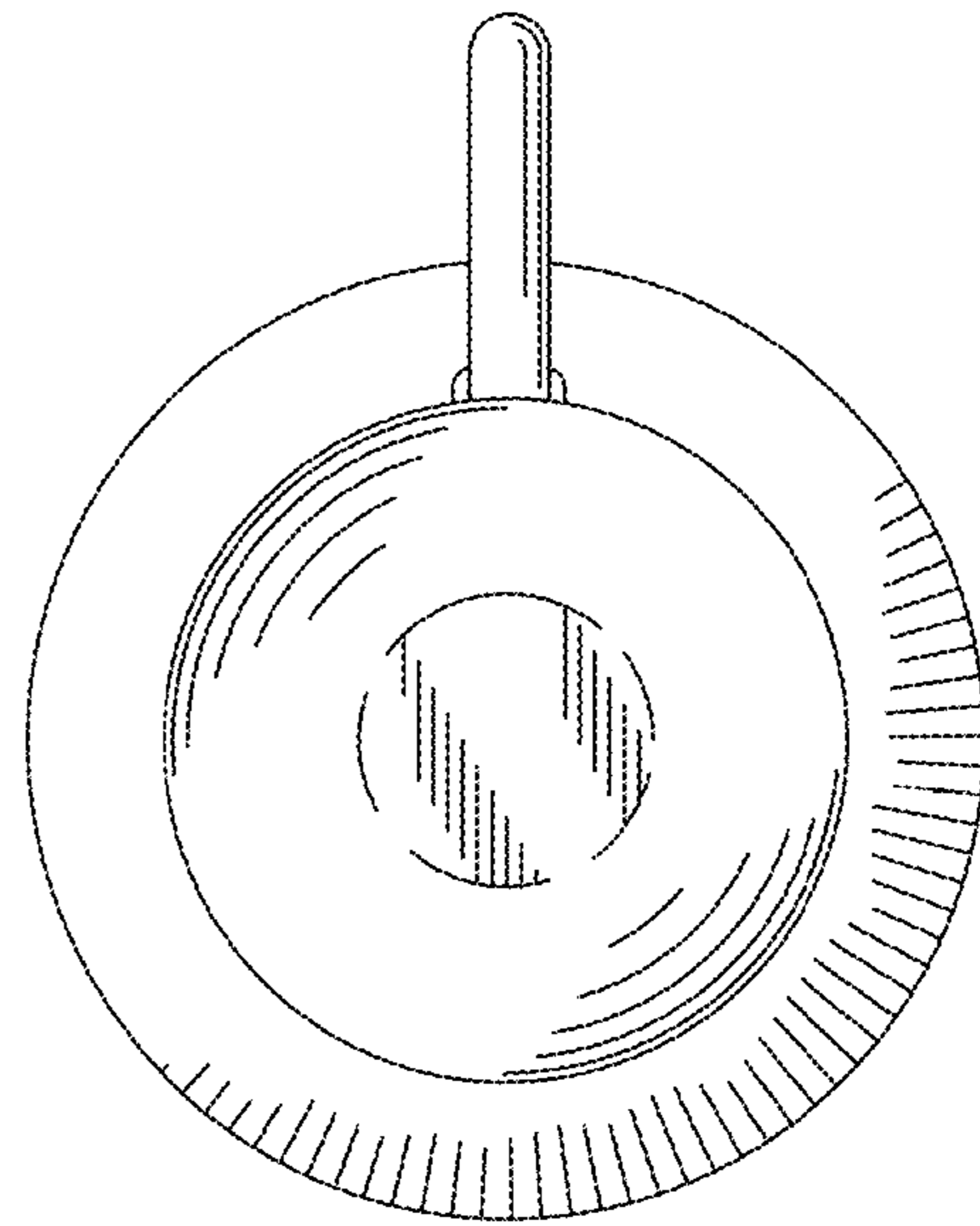


FIG. 6