



US00D770099S

(12) **United States Design Patent** (10) **Patent No.:** **US D770,099 S**
Jones et al. (45) **Date of Patent:** **** Oct. 25, 2016**

(54) **ELEVATED CAT BOWL**
(71) Applicant: **ACT 3 VENTURES INC.**, Atlanta, GA (US)
(72) Inventors: **Patricia M. Jones**, Atlanta, GA (US); **Daniel W. Rossborough, Sr.**, Marietta, GA (US)
(73) Assignee: **ACT 3 VENTURES INC.**, Atlanta, GA (US)

3,345,670 A 10/1967 Charie
3,611,998 A 10/1971 Loscalzo
D230,034 S 1/1974 Goldman et al.

(Continued)

FOREIGN PATENT DOCUMENTS

GB 2373494 9/2002
JP 2010063422 3/2010
WO 03069985 8/2003

OTHER PUBLICATIONS

Jones, Patricia M.; Final Office Action for U.S. Appl. No. 14/019,960, filed Sep. 6, 2013, mailed Nov. 5, 2015, 23 pgs.

(Continued)

(**) Term: **15 Years**
(21) Appl. No.: **29/546,665**
(22) Filed: **Nov. 24, 2015**
(51) **LOC (10) Cl.** **30-03**
(52) **U.S. Cl.**
USPC **D30/129**; D30/130; D30/133
(58) **Field of Classification Search**
USPC D30/133, 121, 128, 130, 132; 119/52.1, 119/55, 61.5, 61.6, 61.57, 61.56; D6/480-485; 248/188; 312/204; 108/153.1-157
CPC A01K 5/00; A01K 5/01; A01K 5/0107; A01K 5/0114; A01K 5/0121; A01K 5/0128; A01K 5/0135; A01K 7/005
See application file for complete search history.

Primary Examiner — Susan Moon Lee
(74) *Attorney, Agent, or Firm* — Taylor English Duma LLP

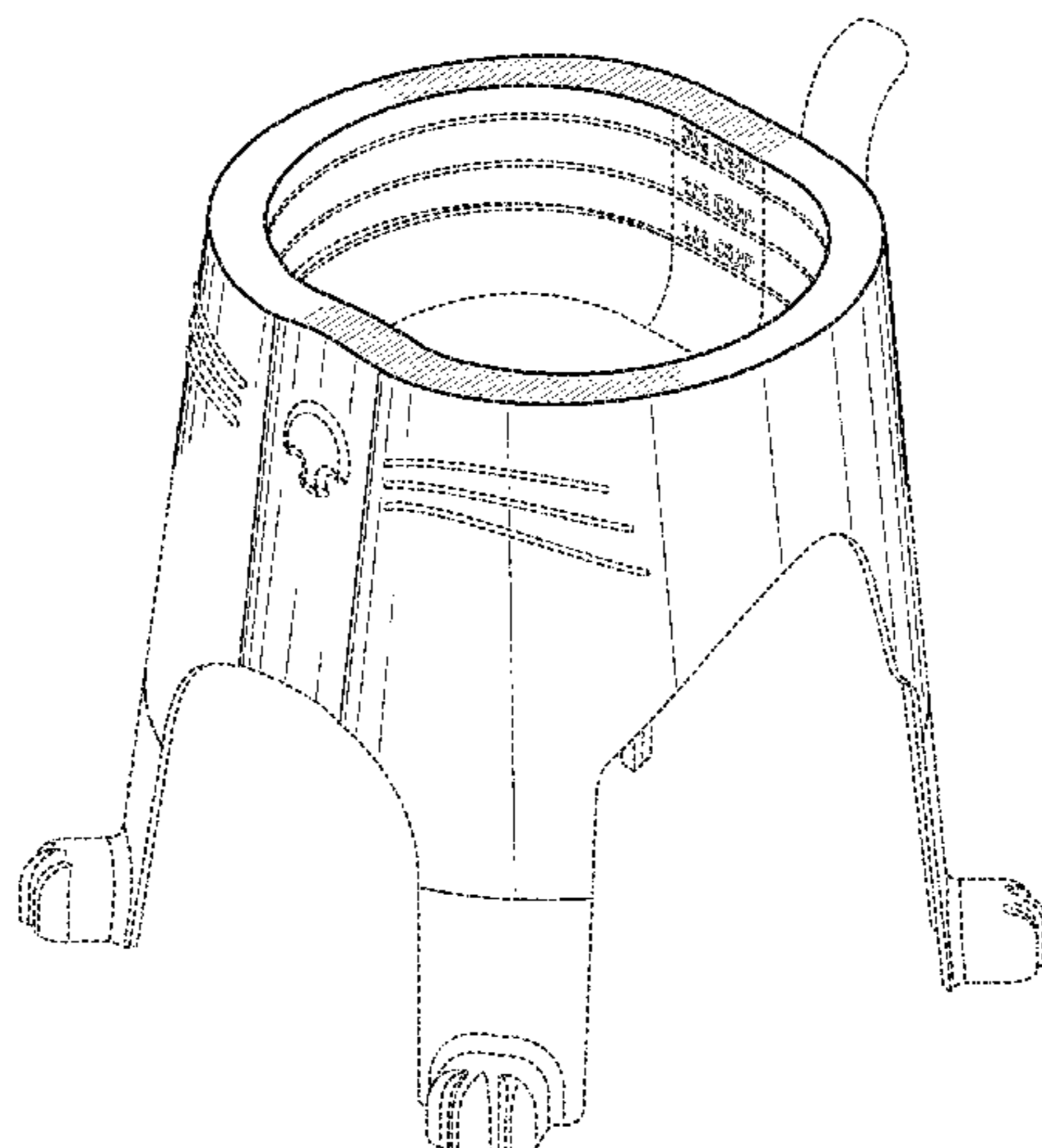
(57) **CLAIM**
We claim the ornamental design for an elevated cat bowl, as shown and described.

DESCRIPTION

FIG. 1 is a perspective view of an elevated cat bowl.
FIG. 2 is a front elevation view thereof.
FIG. 3 is a rear elevation view thereof.
FIG. 4 is a sectional view of the elevated cat bowl taken along line 4-4 of FIG. 2.
FIG. 5 is a left side elevation view of the elevated cat bowl.
FIG. 6 is a right-side elevation view thereof.
FIG. 7 is a top plan view thereof; and,
FIG. 8 is a bottom plan view thereof.
Broken lines and unshaded portions contained within broken lines depict portions of the elevated bowl that form no part of the claimed design. The dot dash lines indicate the boundary at which unclaimed portions of the elevated bowl terminate and claimed portions begin, and form no part of the claimed design.

(56) **References Cited**
U.S. PATENT DOCUMENTS
D24,173 S 4/1895 Atkinson et al.
D25,483 S 5/1896 Jonson
766,427 A 8/1904 Crowell
1,185,440 A 5/1916 Schuetz
D96,018 S 6/1935 Cannon
2,239,969 A 4/1941 Morthland
D172,715 S 7/1954 Hogan
2,691,362 A 10/1954 Moyer et al.
2,812,891 A 11/1957 Carlson et al.
D182,235 S 3/1958 Jaffe
3,285,694 A * 11/1966 Marchi A01M 1/2066 422/305

1 Claim, 5 Drawing Sheets



(56)

References Cited

U.S. PATENT DOCUMENTS

D257,494 S 11/1980 Imhoff
 D270,407 S 9/1983 Ochwat
 D277,245 S 1/1985 Unverzagt
 D279,445 S 7/1985 Jagger
 4,584,966 A * 4/1986 Moore A01K 7/00
 119/73
 D287,772 S 1/1987 Stewart
 D289,807 S 5/1987 Russell
 4,800,845 A 1/1989 Budd
 4,925,032 A 5/1990 Liles
 4,973,018 A 11/1990 Agor
 D313,486 S * 1/1991 Conner D30/121
 D313,487 S 1/1991 Conner
 5,046,633 A 9/1991 Chung
 5,062,527 A 11/1991 Westerman
 5,203,845 A 4/1993 Moore
 D356,449 S 3/1995 Frye
 D370,146 S 5/1996 Petronio
 D377,430 S 1/1997 Hopwood
 5,845,605 A 12/1998 Malamphy
 D406,925 S 3/1999 Sharon
 D409,448 S 5/1999 Hudson et al.
 D412,605 S 8/1999 Sharon
 D421,697 S 3/2000 Hollinger
 D426,752 S * 6/2000 Whaley D7/619.1
 6,126,240 A 10/2000 Tse
 D439,707 S 3/2001 Hansen et al.
 D442,831 S 5/2001 Jacobs
 D448,978 S * 10/2001 Isbell D7/619.1
 D451,709 S 12/2001 Heithecker
 D454,234 S 3/2002 Weterrings
 D465,884 S 11/2002 Ross
 D467,044 S 12/2002 Tangolics
 D467,687 S 12/2002 Tangolics
 D470,631 S 2/2003 Teufel
 D471,406 S 3/2003 Wellner
 D471,677 S 3/2003 Northrop
 D472,021 S 3/2003 Northrop
 D473,758 S 4/2003 Wilson
 D477,691 S 7/2003 Crowley
 6,588,367 B1 7/2003 MacManus
 6,647,921 B2 11/2003 Stokes et al.
 D494,325 S 8/2004 Paterson
 D501,683 S 2/2005 Hernandez et al.
 D502,294 S 2/2005 Hung
 6,860,229 B1 3/2005 Craft
 D504,196 S 4/2005 Huthmaker et al.
 D506,644 S 6/2005 Poupel et al.
 D514,750 S 2/2006 Matula
 D515,878 S * 2/2006 Czepowicz D7/619.1
 D516,025 S 2/2006 Quinn
 D540,623 S 4/2007 Schreiber-Pethan et al.
 D547,615 S 7/2007 Wasserman et al.
 D548,014 S 8/2007 Kell
 D563,606 S 3/2008 Hood et al.
 D564,844 S 3/2008 Schreiber-Pethan et al.
 D584,967 S 1/2009 Shamoon
 D586,611 S 2/2009 Solis et al.
 D590,109 S 4/2009 Anderson et al.
 D600,862 S 9/2009 Sin
 D607,616 S 1/2010 Newsome et al.
 D607,648 S 1/2010 Nanda
 D613,999 S 4/2010 Sierra
 D621,559 S 8/2010 Clark, Jr.
 D623,359 S 9/2010 Kim
 7,789,041 B1 9/2010 Taylor
 D625,885 S 10/2010 Bianchi
 D630,864 S 1/2011 Perelman
 D634,167 S 3/2011 Foster
 D636,945 S 4/2011 Anderson et al.
 D642,025 S 7/2011 Scheurer
 D646,442 S 10/2011 Chance et al.
 D646,852 S 10/2011 Chance et al.
 D647,502 S 10/2011 Holzer
 8,056,145 B2 11/2011 Shamsnobar et al.

D653,000 S 1/2012 Rutherford
 D653,474 S 2/2012 Garcia et al.
 D659,300 S 5/2012 Lipscomb
 D659,914 S * 5/2012 Lipscomb D30/121
 D662,939 S 7/2012 Akana et al.
 D665,541 S 8/2012 Shamoon
 D670,041 S 10/2012 Chance et al.
 D676,710 S 2/2013 Kwok
 8,381,684 B2 2/2013 Crawford
 D685,619 S * 7/2013 Sundaram D6/534
 D687,938 S * 8/2013 Furner D23/366
 D701,005 S 3/2014 Gilkey et al.
 D703,393 S 4/2014 Henley
 D709,654 S * 7/2014 Lipscomb D30/121
 D712,524 S * 9/2014 O'Grady D23/296
 8,985,054 B2 * 3/2015 Lipscomb A01K 45/002
 119/74
 D726,981 S * 4/2015 Yessin D32/25
 D744,173 S 11/2015 Jones et al.
 D744,174 S 11/2015 Jones et al.
 D755,447 S * 5/2016 Andrews D30/129
 D757,373 S * 5/2016 Breit D30/129
 D758,674 S * 6/2016 Youn D30/129
 2003/0066937 A1 4/2003 Smith
 2005/0039689 A1 2/2005 Mossmer
 2005/0039690 A1 2/2005 Sage, Jr.
 2006/0005775 A1 1/2006 Ritchey et al.
 2006/0027178 A1 2/2006 Stephens
 2006/0113200 A1 * 6/2006 Abkarian A47G 23/03
 206/217
 2007/0089678 A1 4/2007 Greenwood
 2007/0284423 A1 12/2007 Fioritti
 2009/0126641 A1 * 5/2009 Anderson A01K 5/0135
 119/61.5
 2010/0275852 A1 * 11/2010 Lipscomb A01K 5/0114
 119/61.5
 2014/0346293 A1 11/2014 Qiu
 2014/0352621 A1 * 12/2014 Fairbanks A01K 5/0128
 119/61.53
 2015/0059652 A1 3/2015 Rabideau
 2015/0101543 A1 * 4/2015 Baxter A01K 5/0114
 119/498
 2016/0255805 A1 9/2016 Jones

OTHER PUBLICATIONS

Jones, Patricia M.; Non-Final Office Action for U.S. Appl. No. 14/019,960, filed Sep. 6, 2013, mailed May 7, 2015, 21 pgs.
 Jones, Patricia M.; Restriction Requirement for U.S. Appl. No. 14/019,960, filed Sep. 6, 2013, mailed Mar. 26, 2015, 5 pgs.
 Jones, Patricia M.; U.S. Patent Application entitled: Elevated Feeding Tray Apparatus having U.S. Appl. No. 14/019,960, filed Sep. 6, 2013, 19 pgs.
 Jones, Patricia M.; Corrected Notice of Allowability for U.S. Appl. No. 29/521,229, filed Mar. 20, 2015, mailed Oct. 20, 2015, 9 pgs.
 Jones, Patricia M.; Design Patent Application entitled: Elevated Dog Bowl having U.S. Appl. No. 29/521,229, filed Mar. 20, 2015, 7 pgs.
 Jones, Patricia M.; Issue Notification for U.S. Appl. No. 29/521,229, filed Mar. 20, 2015, mailed Nov. 4, 2015, 1 pg.
 Jones, Patricia M.; Notice of Allowance for U.S. Appl. No. 29/521,229, filed Mar. 20, 2015, mailed Jul. 15, 2015, 13 pgs.
 Jones, Patricia M.; Corrected Notice of Allowability for U.S. Appl. No. 29/521,231, filed Mar. 20, 2015, mailed Oct. 20, 2015, 4 pgs.
 Jones, Patricia M.; Design Patent Application entitled: Elevated Pet Bowl having U.S. Appl. No. 29/521,231, filed Mar. 20, 2015, 7 pgs.
 Jones, Patricia M.; Issue Notification for U.S. Appl. No. 29/521,231, filed Mar. 20, 2015, mailed Nov. 4, 2015, 1 pg.
 Jones, Patricia M.; Notice of Allowance for U.S. Appl. No. 29/521,231, filed Mar. 20, 2015, mailed Jul. 20, 2015, 18 pgs.
 Doca Pet, "Dogleg Diner", located at <http://www.docapet.com/dogleg-diner.html>, accessed on Jul. 22, 2013, 5 pgs.
 Dylankendall.com Paw Footed Bowls, Sep. 2013, 1 page.
 Lakeside.com, Paw footed feeder stands, cited in U.S. Appl. No. 29/521,229 prior to Nov. 24, 2015, 1 page.

(56)

References Cited

OTHER PUBLICATIONS

Pets Stop, "Cantilever Double Diners", located at <http://www.petsstop.com/product.php?id=547&paso=1>, accessed on Jul. 22, 2013, 5 pgs.

Serafin, Mike; "Bent Soap Dish", located at <http://www.memikeserafin.com/110810/973737/work/bent-soap-dish>, accessed on Jul. 25, 2013, 5 pgs.

Jones, Patricia M.; Notice of Allowance for U.S. Appl. No. 14/019,960, filed Sep. 6, 2013, mailed Apr. 27, 2016, 26 pgs.

Jones, Patricia M.; U.S. Patent Application entitled: Elevated Feeding Tray Apparatus, having U.S. Appl. No. 15/075,087, filed Mar. 18, 2016, 63 pgs.

Jones, Patricia M.; Issue Notification for U.S. Appl. No. 14/019,960, filed Sep. 6, 2013, mailed 8/31/2016, 1 pg.

Jones, Patricia M.; Supplemental Notice of Allowability for U.S. Appl. No. 14/019,960, filed Sep. 6, 2013, mailed Mar. 18, 2016, 8 pgs.

Jones, Patricia M.; Supplementary Notice of Allowance for U.S. Appl. No. 14/019,960, filed Sep. 6, 2013, mailed 7/11/2016, 6 pgs.

* cited by examiner

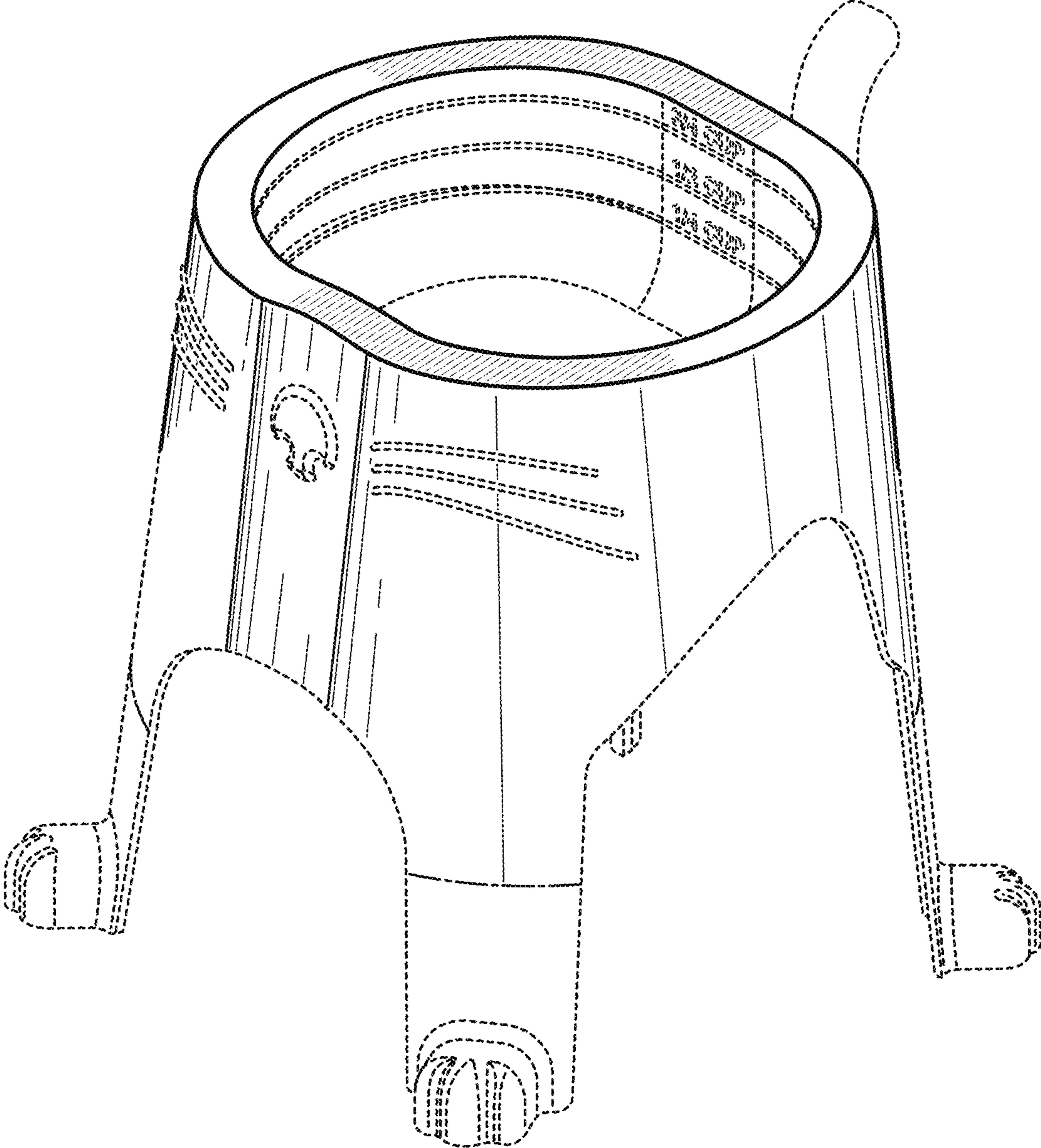


FIG. 1

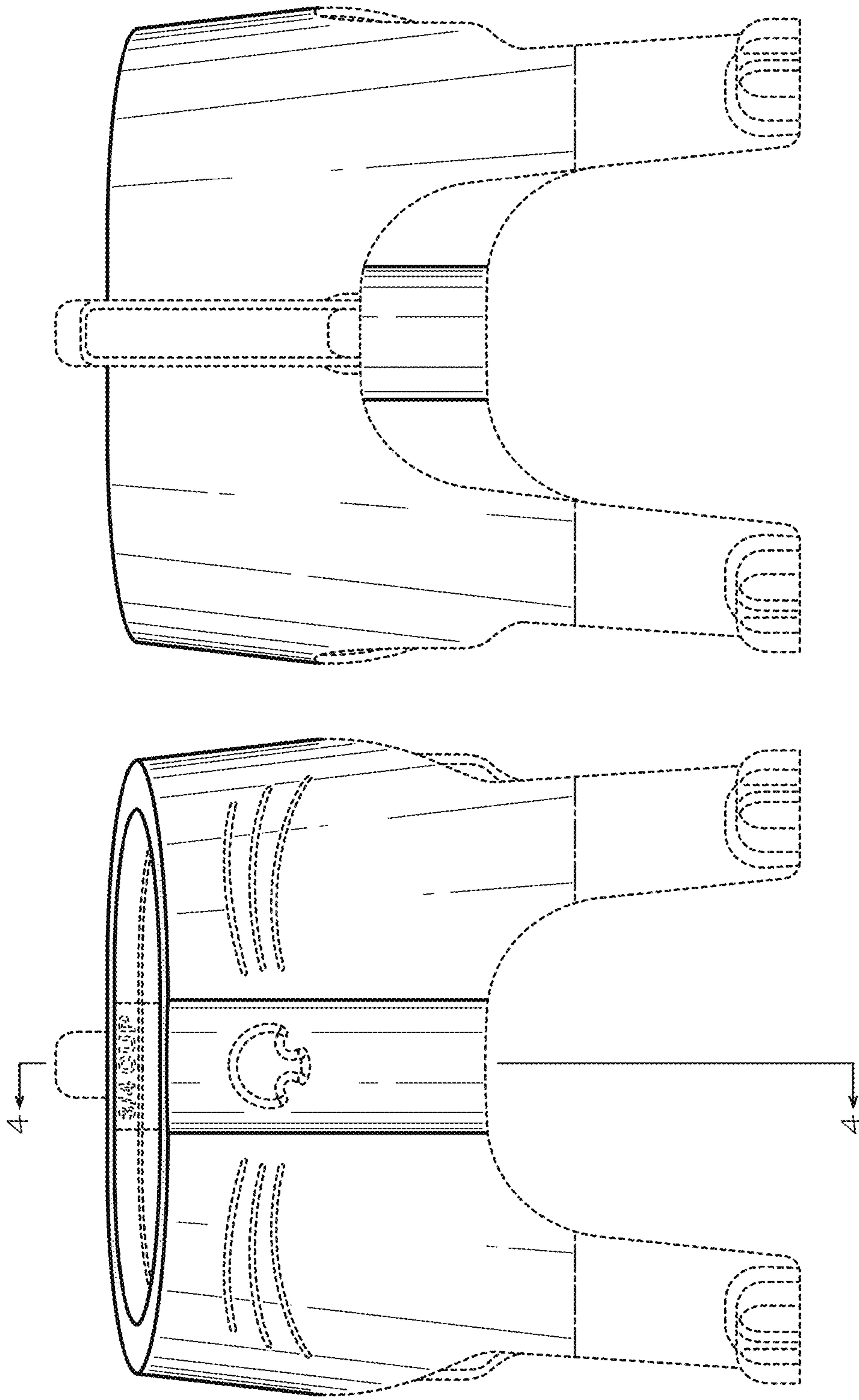


FIG. 3

FIG. 2

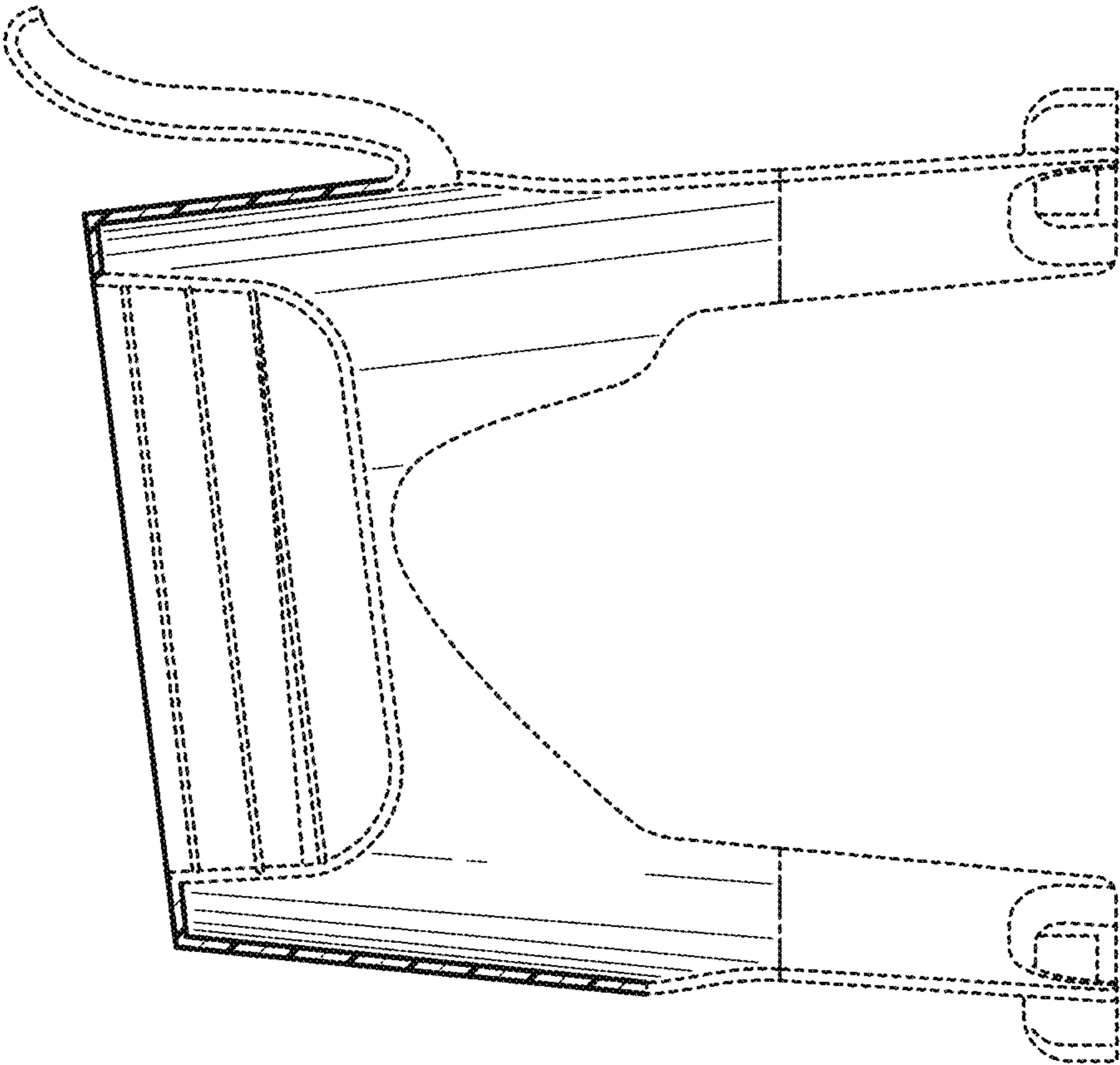


FIG. 4

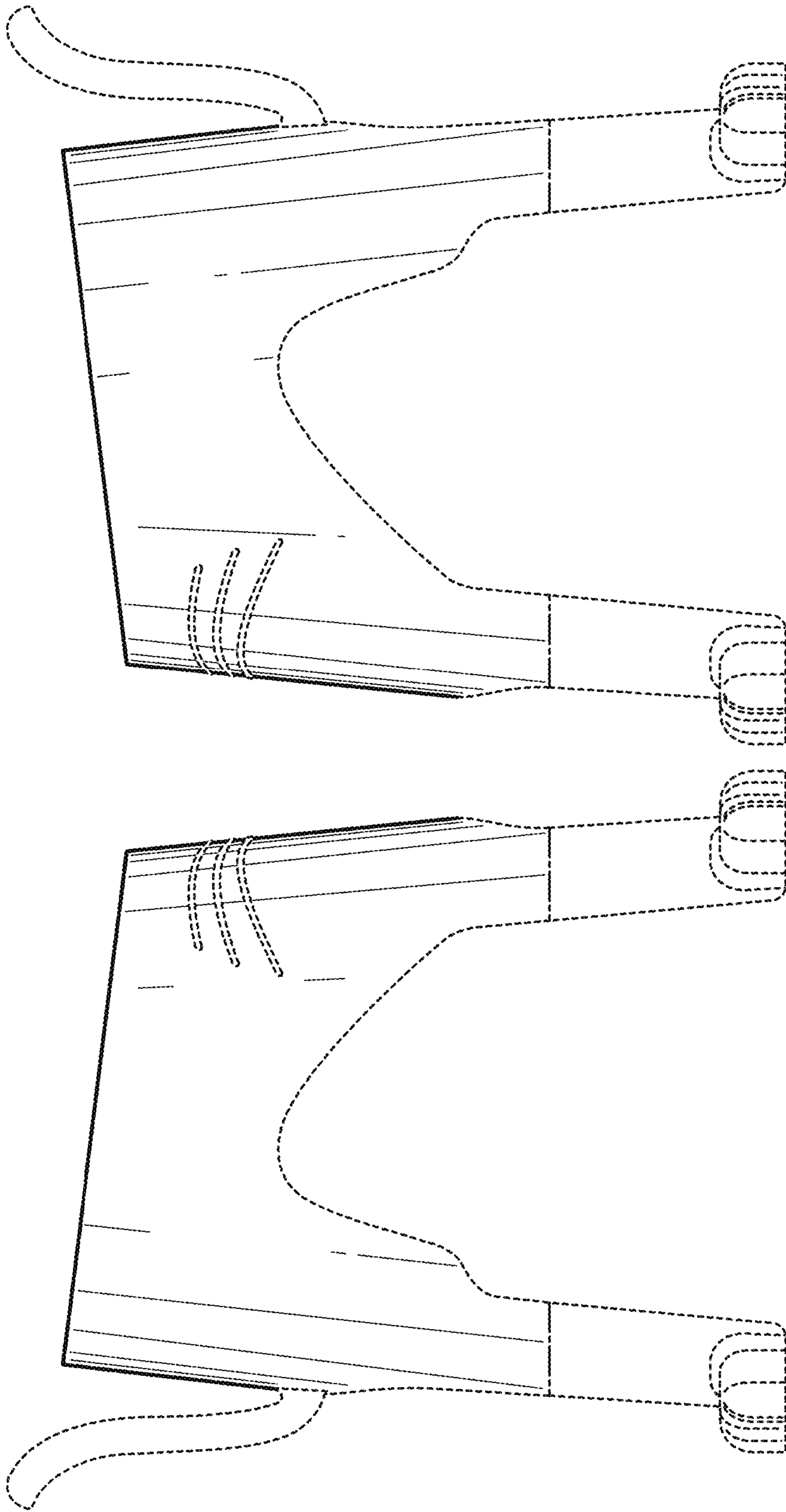


FIG. 6

FIG. 5

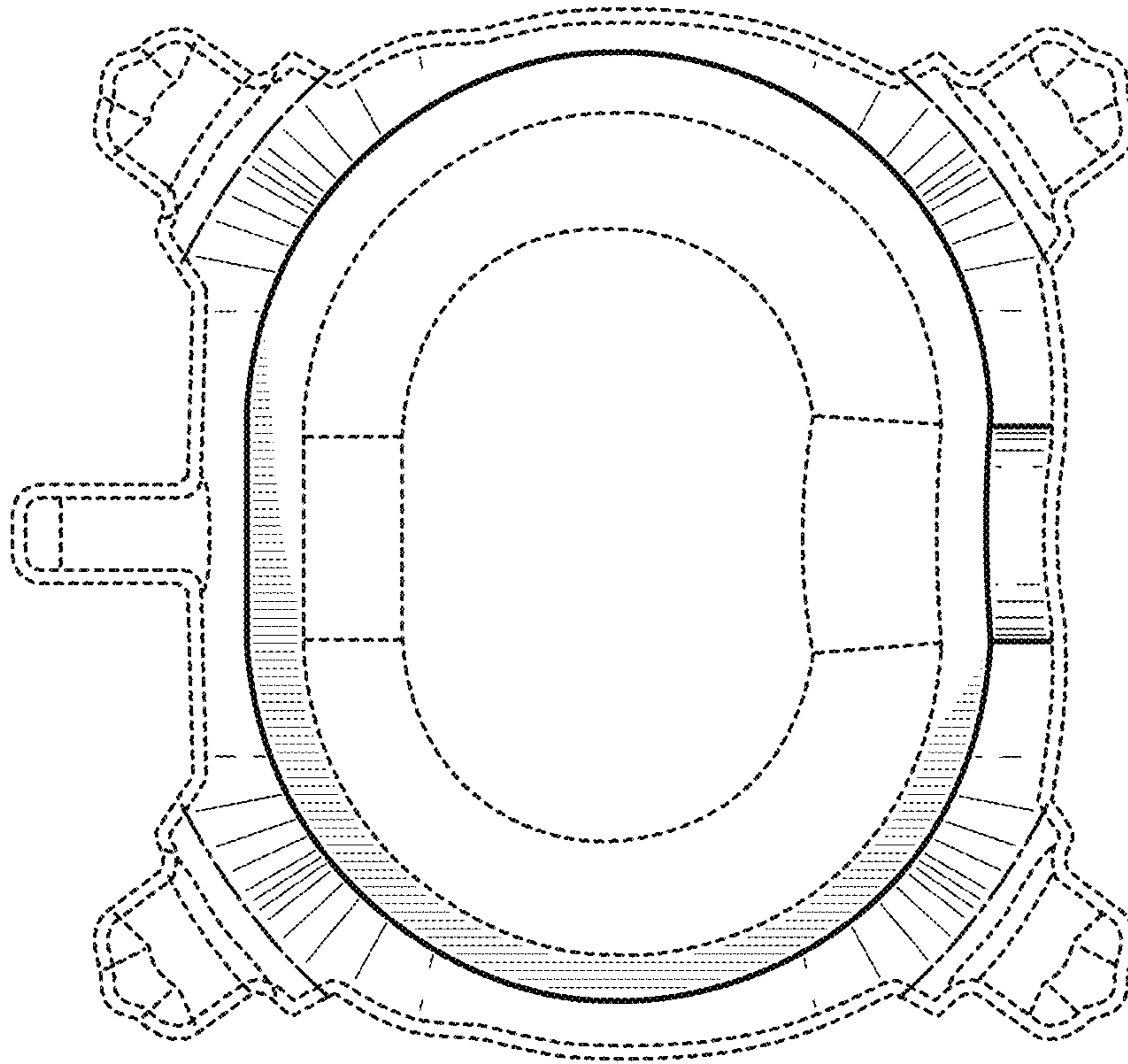


FIG. 8

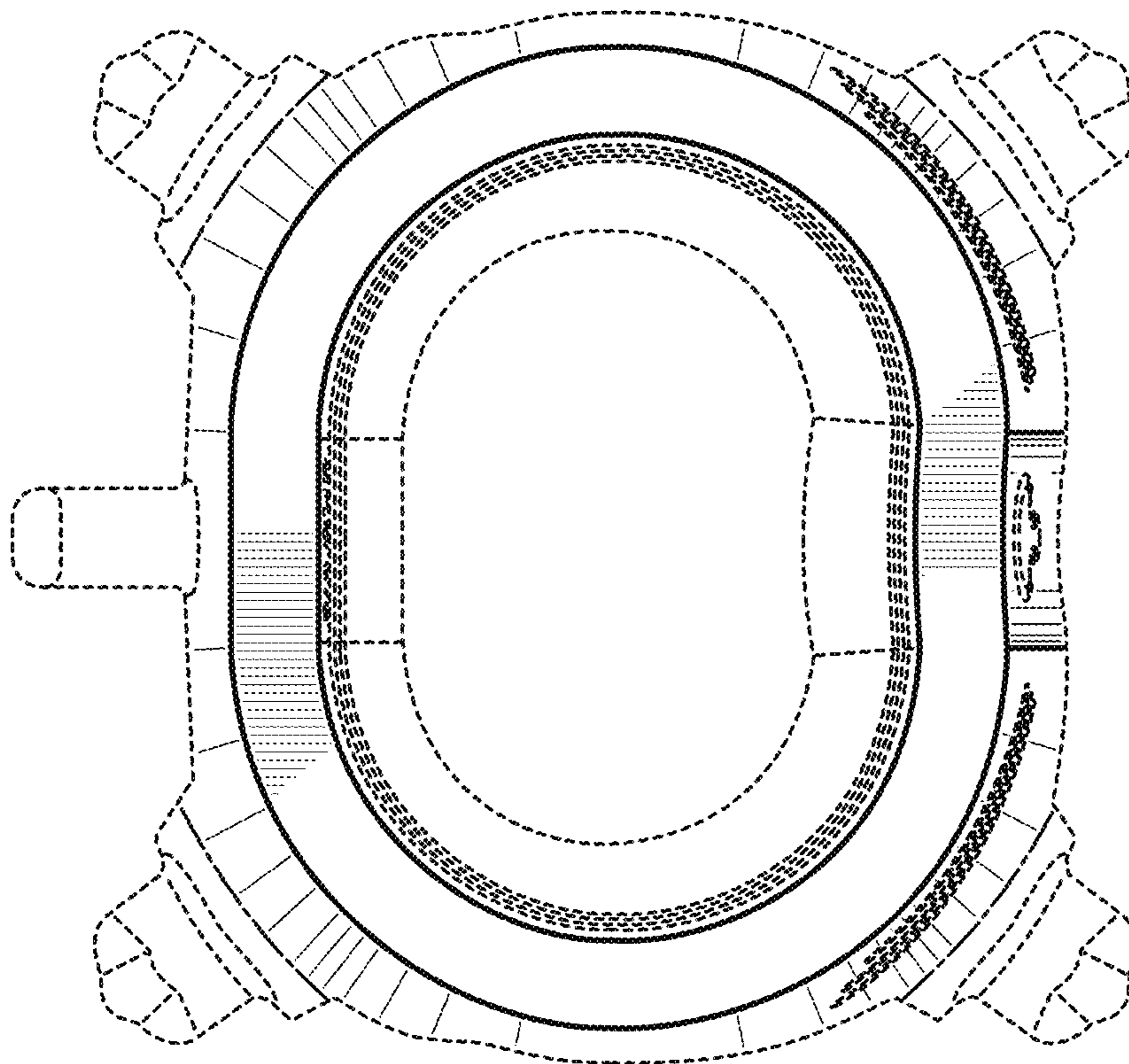


FIG. 7