



US00D770097S

(12) **United States Design Patent** (10) **Patent No.:** **US D770,097 S**
Stankus (45) **Date of Patent:** **** Oct. 25, 2016**

(54) **WELDING HELMET WITH ADJUSTABLE FANS**

(71) Applicant: **Frank Stankus**, Plantation, FL (US)

(72) Inventor: **Frank Stankus**, Plantation, FL (US)

(**) Term: **15 Years**

(21) Appl. No.: **29/529,710**

(22) Filed: **Jun. 10, 2015**

Related U.S. Application Data

(62) Division of application No. 29/476,572, filed on Dec. 14, 2013, now Pat. No. Des. 734,557.

(51) **LOC (10) Cl.** **29-02**

(52) **U.S. Cl.**
USPC **D29/110**

(58) **Field of Classification Search**

USPC D29/100, 102, 105, 106, 107, 108, 110;
D24/110.1, 110.2, 110.3

CPC A42B 3/225; A42B 3/18; A42B 3/20;
A42B 3/32; A42B 3/322; A42B 3/324;
A42B 3/326; A42B 3/328; A42B 3/06;

F41H 1/04; F41H 1/06; F41H 1/08; F41H
1/00; A61F 9/06; A61F 9/061; A61F 9/062;
A61F 9/064; A63B 71/10; A63B 71/08;
A63B 71/081; A63B 2071/105

See application file for complete search history.

(56) **References Cited**

U.S. PATENT DOCUMENTS

2,644,159 A * 7/1953 Jacobs A61F 9/064
2/8.5
4,853,973 A * 8/1989 Boochard A61F 9/06
2/434
4,863,244 A * 9/1989 Fuerthbauer A61F 9/067
2/431
D310,276 S * 8/1990 Fuerthbauer D29/110
D310,432 S * 9/1990 Boochard D29/110
5,533,206 A * 7/1996 Petrie A61F 9/064
2/8.5

5,571,217 A * 11/1996 Del Bon A42B 3/14
2/8.1
D489,492 S * 5/2004 Wu D29/110
D521,190 S * 5/2006 Wu D29/110
D584,858 S * 1/2009 Wang D29/110
D586,956 S * 2/2009 Huh D29/110
D636,129 S * 4/2011 Wu D29/110
D654,224 S * 2/2012 Wu D29/110
D654,225 S * 2/2012 Wu D29/110
D654,226 S * 2/2012 Wu D29/110
D654,634 S * 2/2012 Wu D29/110
D669,227 S * 10/2012 Wang D29/110
D700,402 S * 2/2014 Zhou D29/110
8,955,162 B2 * 2/2015 Huh A61F 9/067
2/8.2
D728,163 S * 4/2015 Zhou D29/110
9,009,862 B2 * 4/2015 Huh A61F 9/06
2/8.3

(Continued)

Primary Examiner — Elizabeth J Oswecki

(74) *Attorney, Agent, or Firm* — Nancy J. Flint, Esq.;
Nancy J. Flint, Attorney At Law, P.A.

(57) **CLAIM**

The ornamental design for a welding helmet with adjustable fans, as shown and described.

DESCRIPTION

FIG. 1 is a front perspective view of a welding helmet with adjustable fans with the fans in a forward position showing my new design;

FIG. 2 is a left side view thereof;

FIG. 3 is a right side view thereof;

FIG. 4 is a top view thereof;

FIG. 5 is a bottom view thereof;

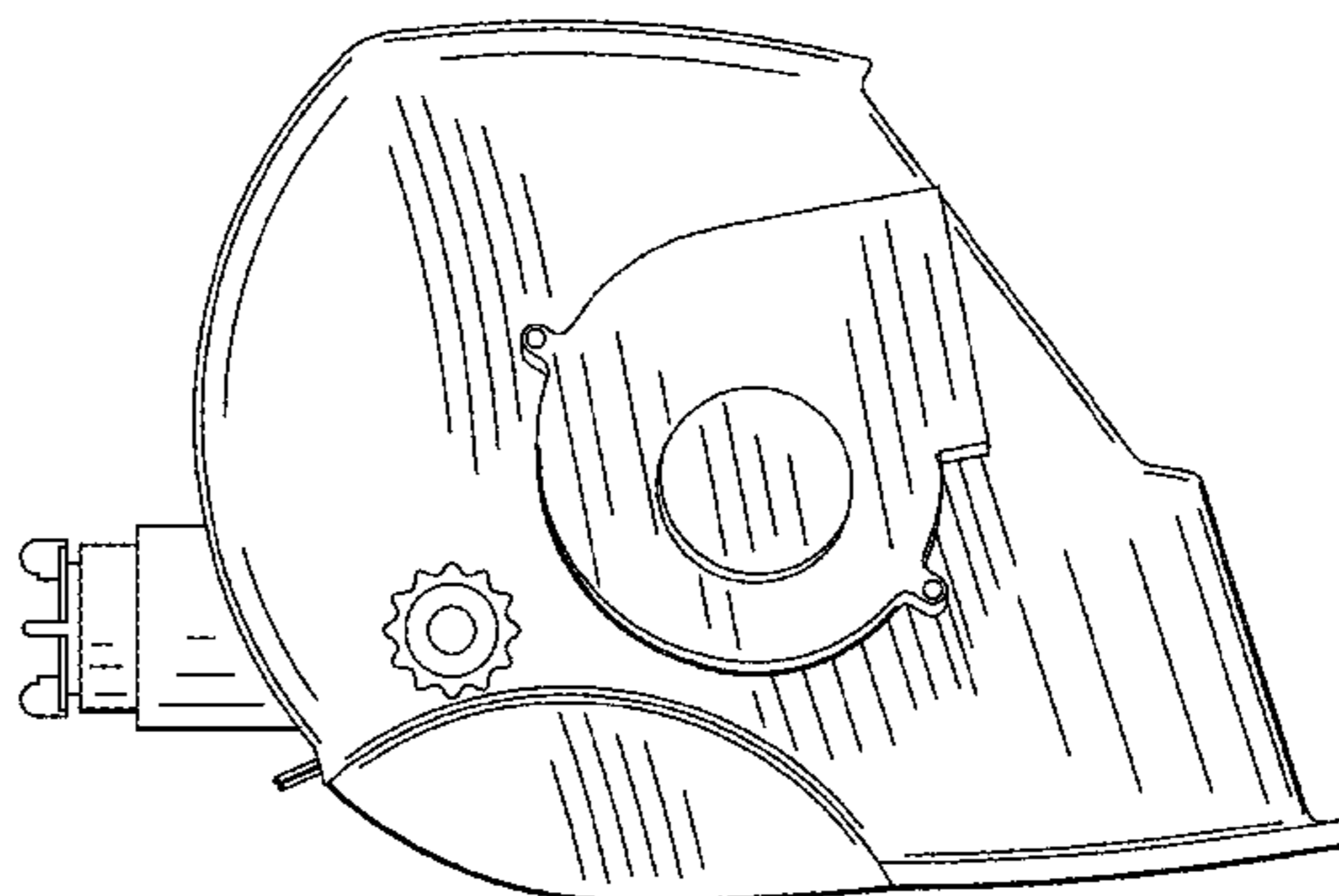
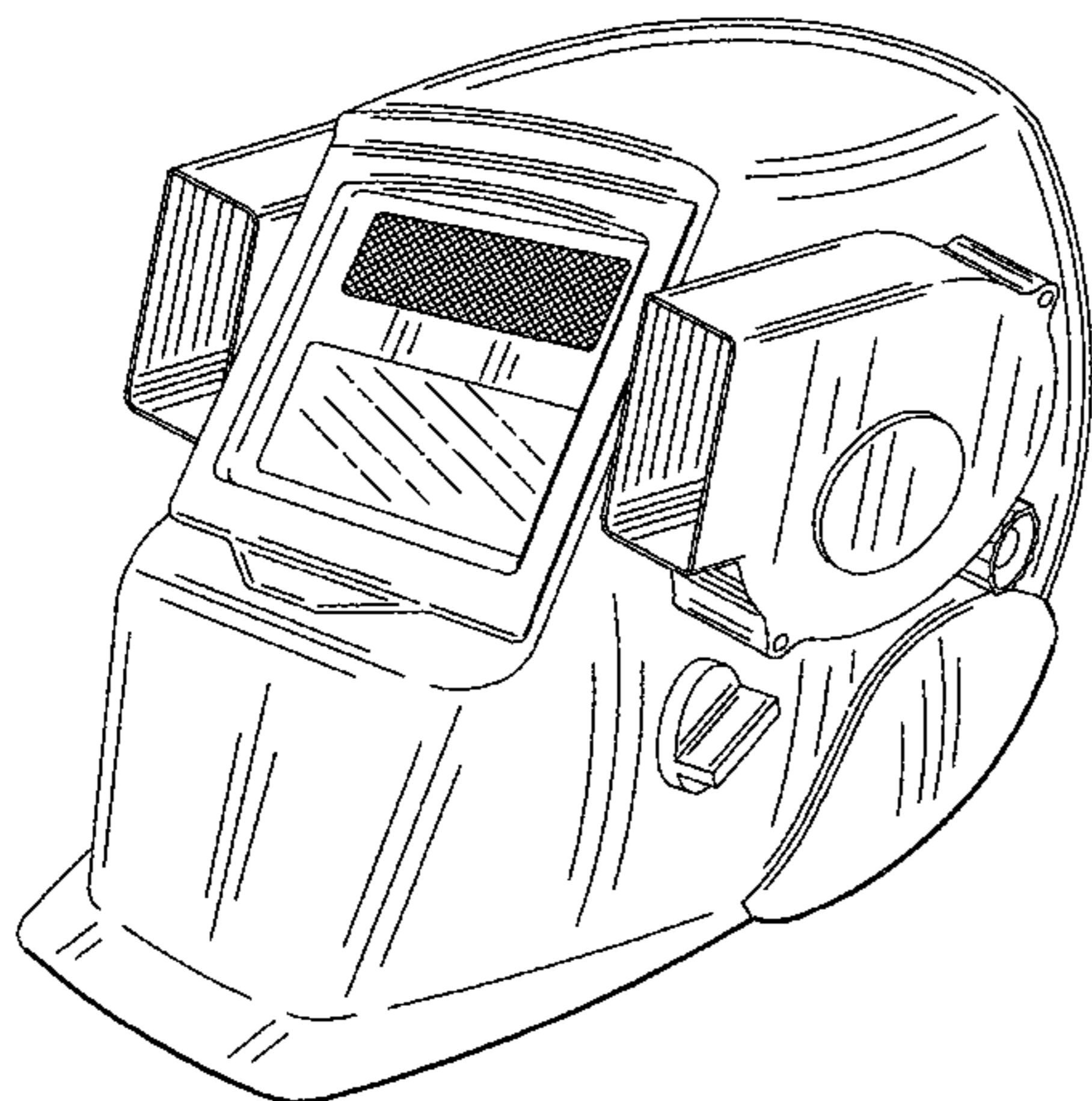
FIG. 6 is a front view thereof;

FIG. 7 is a back view thereof; and,

FIG. 8 is a left side view thereof, with the fans in an up position and two fans illustrated in broken lines in a mid-position and a downward position.

The broken lines in FIG. 8 illustrate alternative positions of the adjustable fan and are not part of the claimed design.

1 Claim, 4 Drawing Sheets



US D770,097 S

Page 2

(56)

References Cited

U.S. PATENT DOCUMENTS

D732,746 S *	6/2015	Wu	D29/110	
D734,557 S *	7/2015	Stankus	D29/110	* cited by examiner
D734,558 S *	7/2015	Wu	D29/110	
D742,075 S *	10/2015	Zhou	D29/110	
2007/0079417 A1 *	4/2007	Huh	A61F 9/065 2/8.2	

FIG. 1

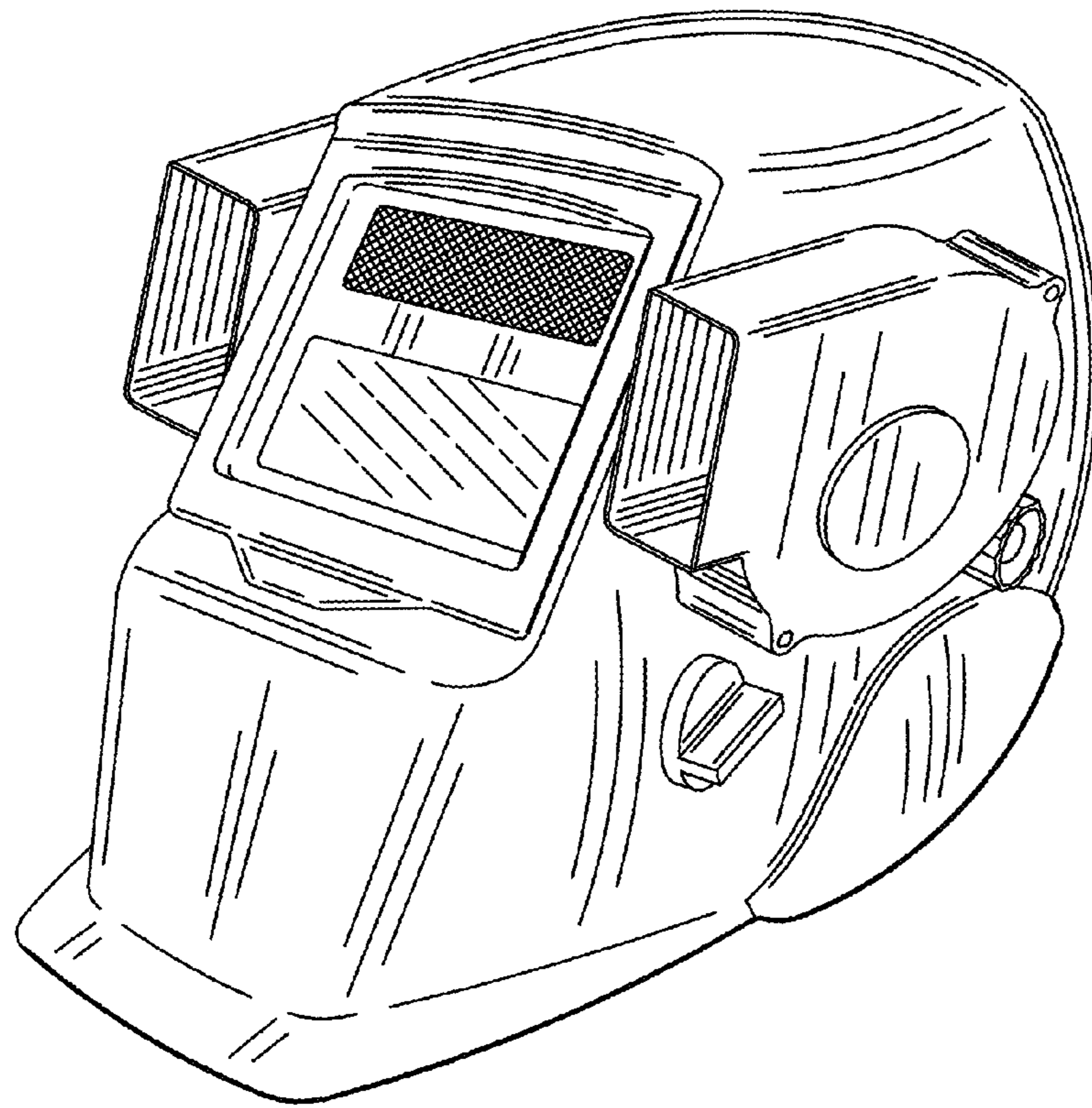


FIG. 2

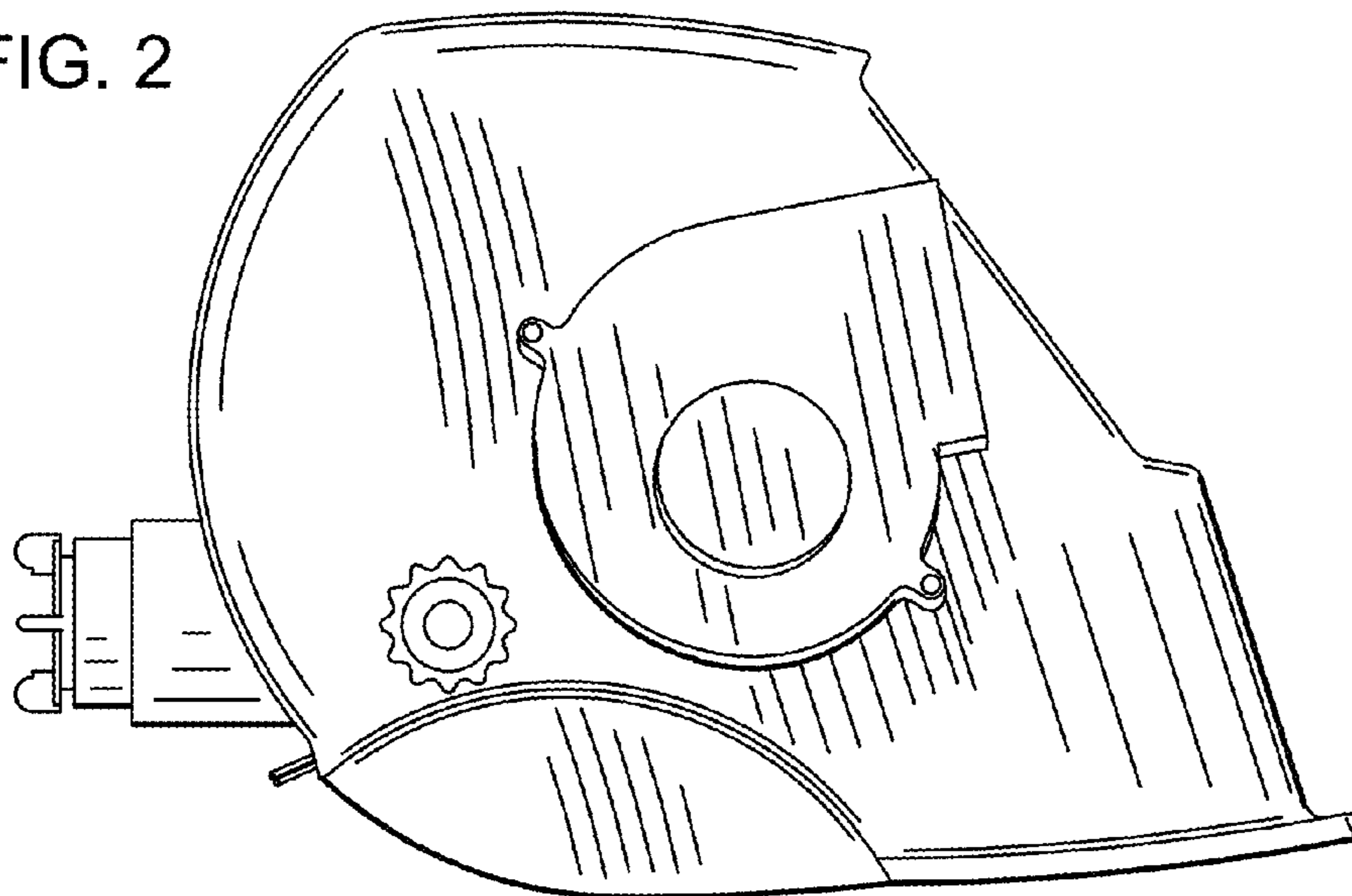


FIG. 3

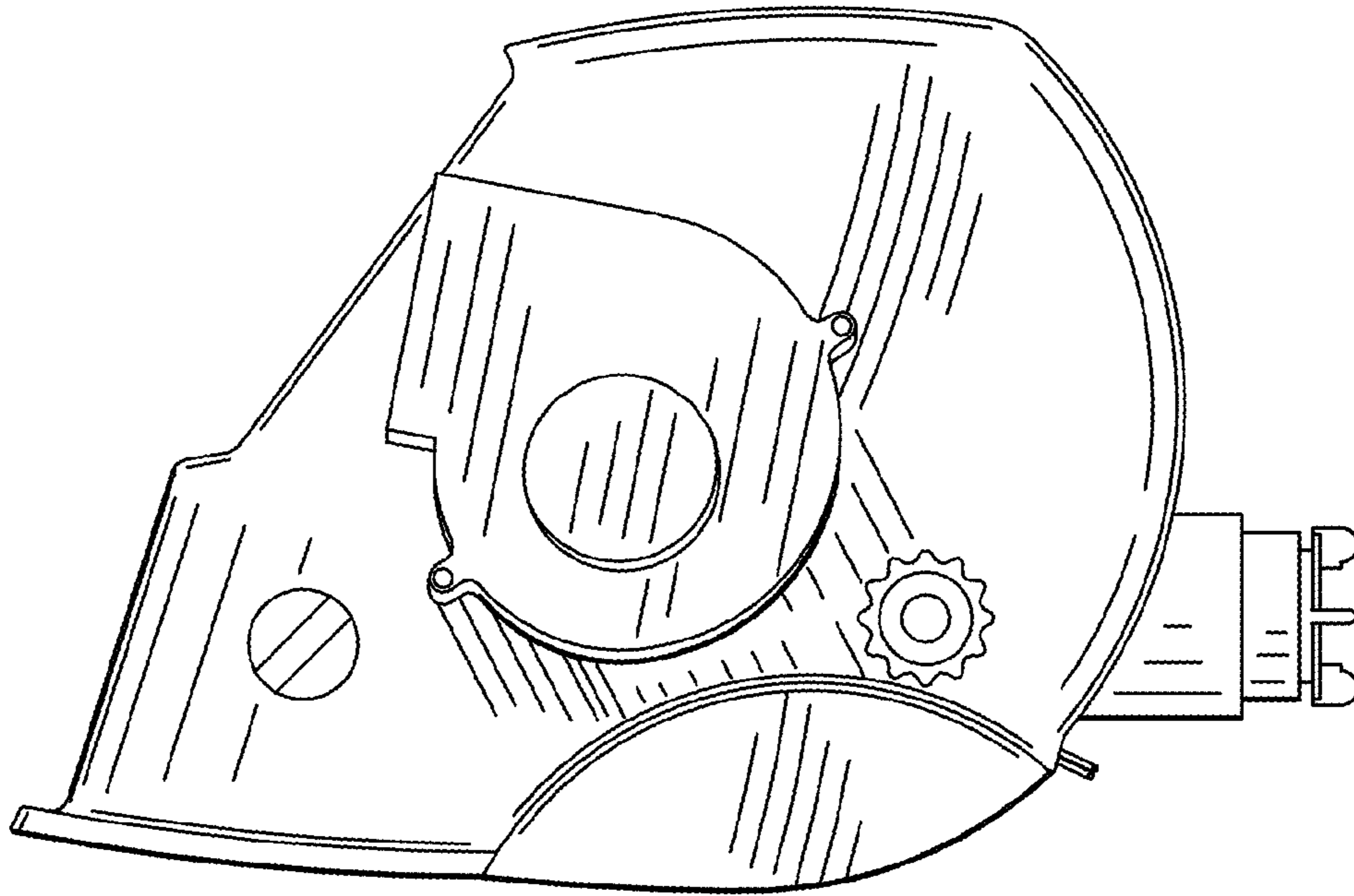


FIG. 4

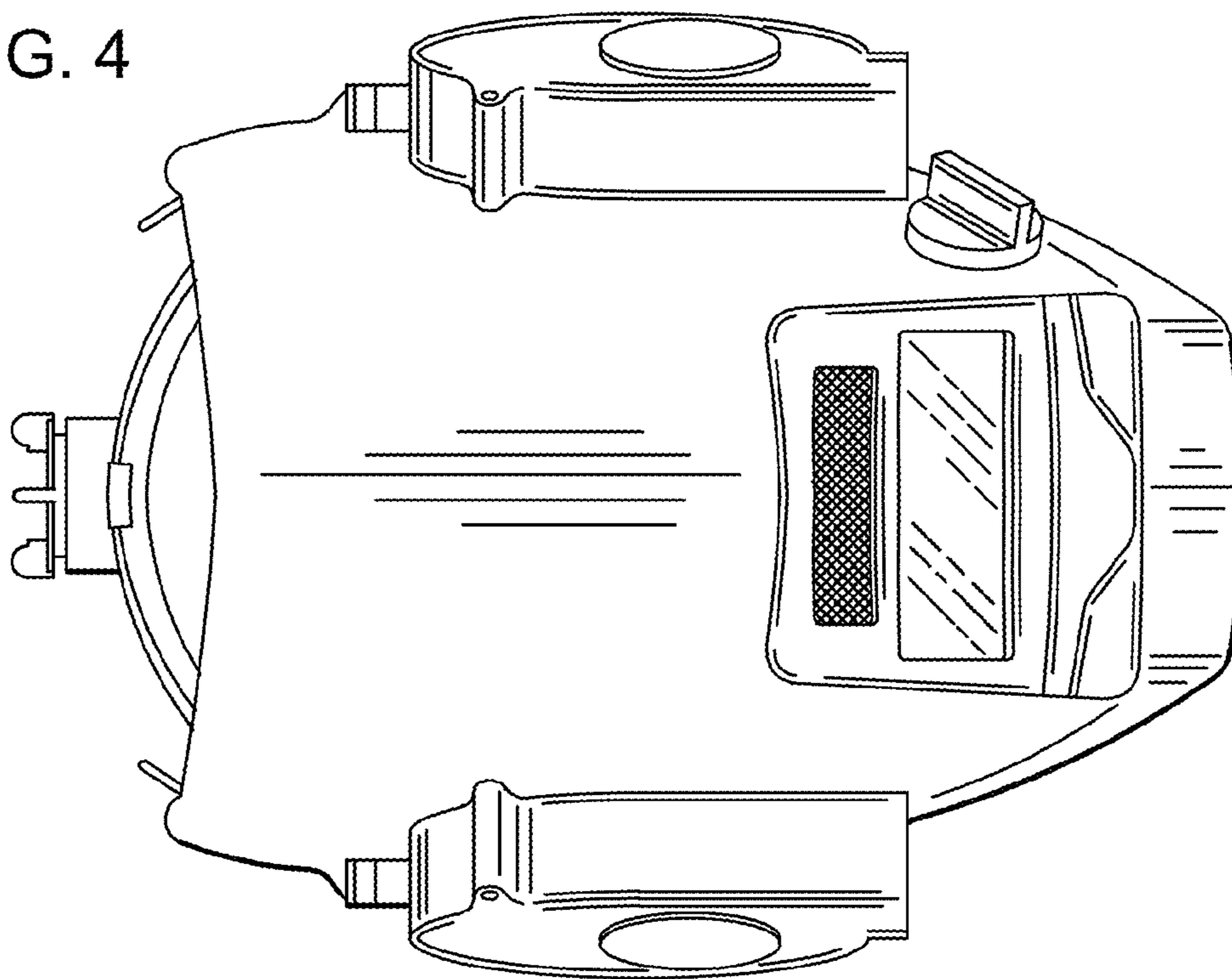


FIG. 5

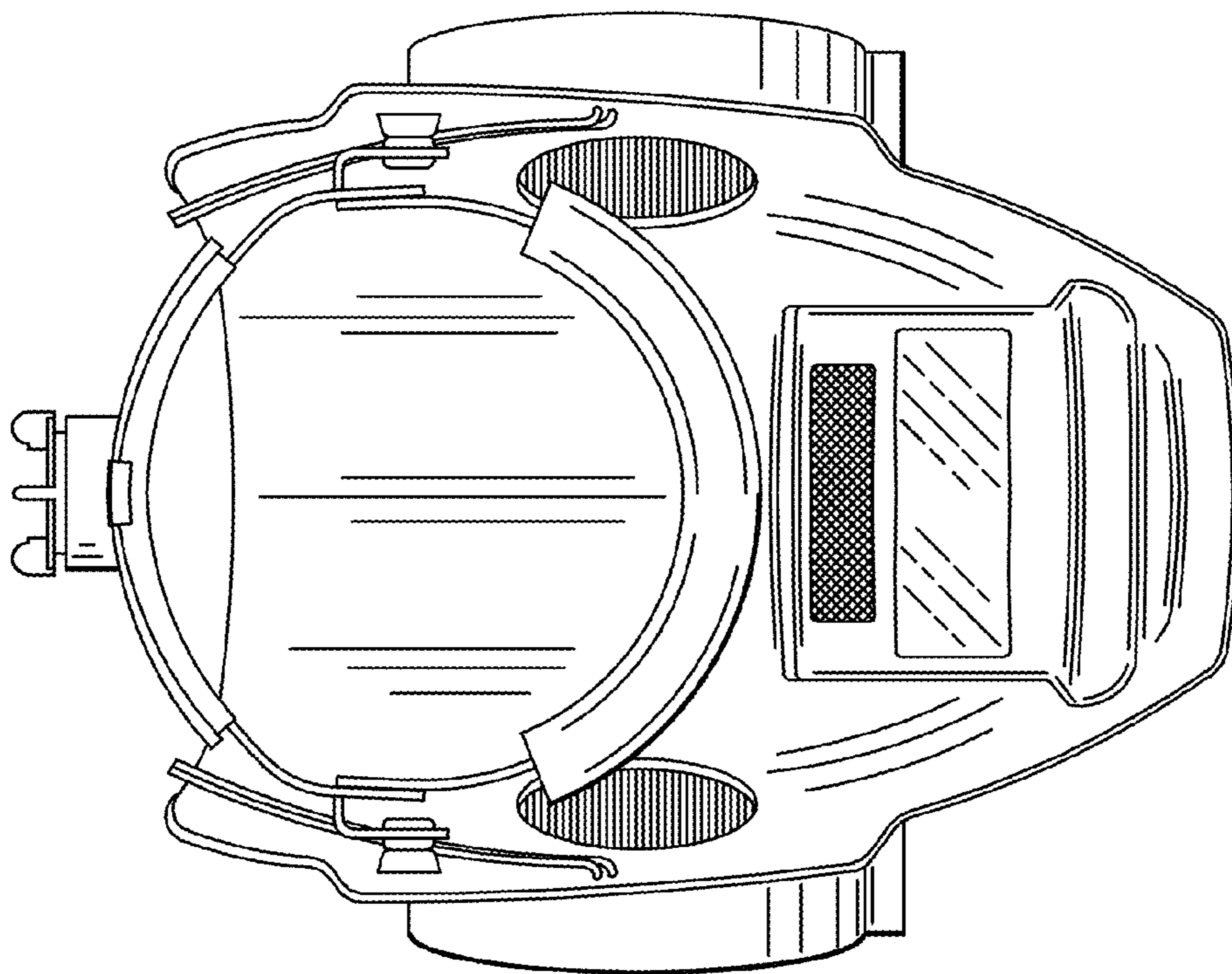


FIG. 6

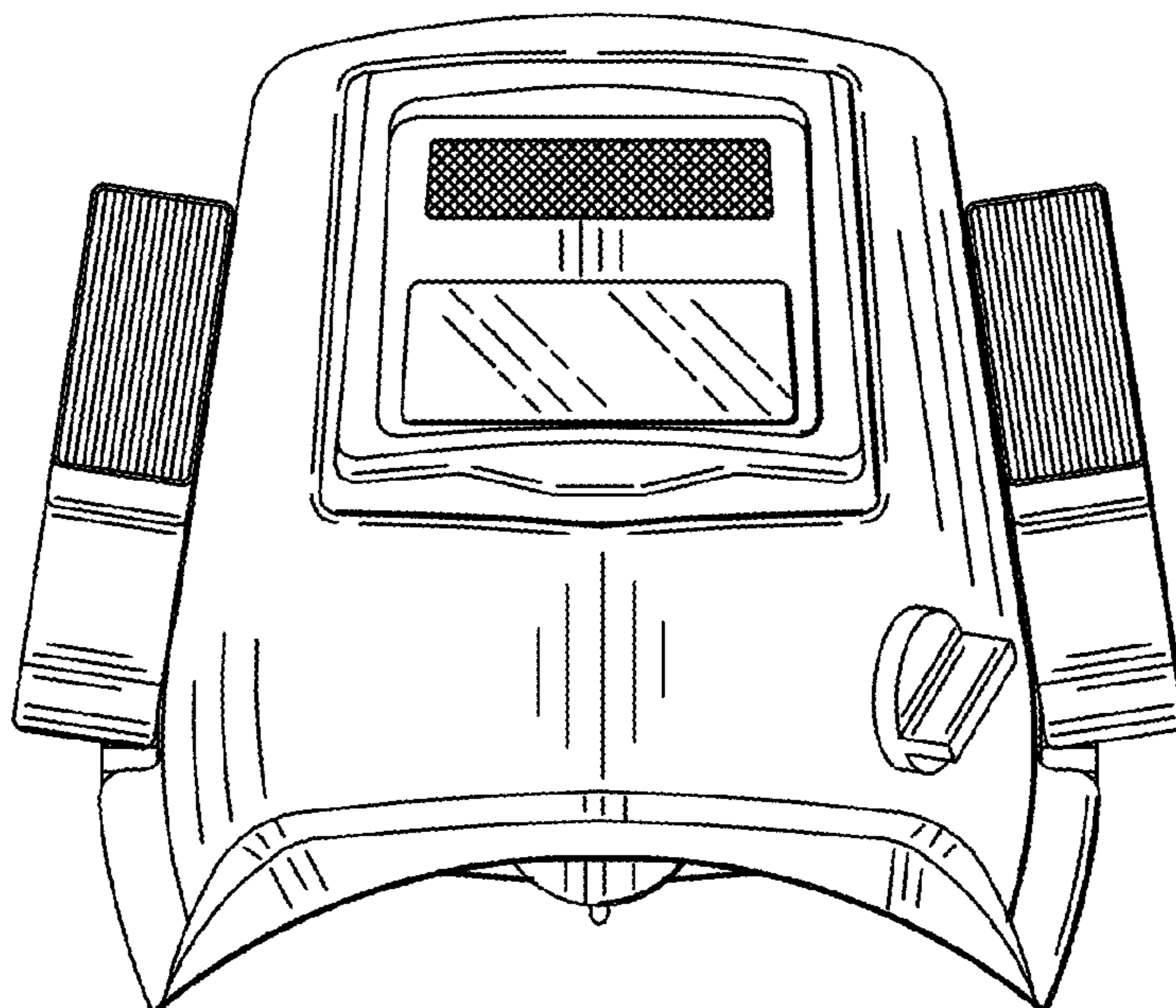


FIG. 7

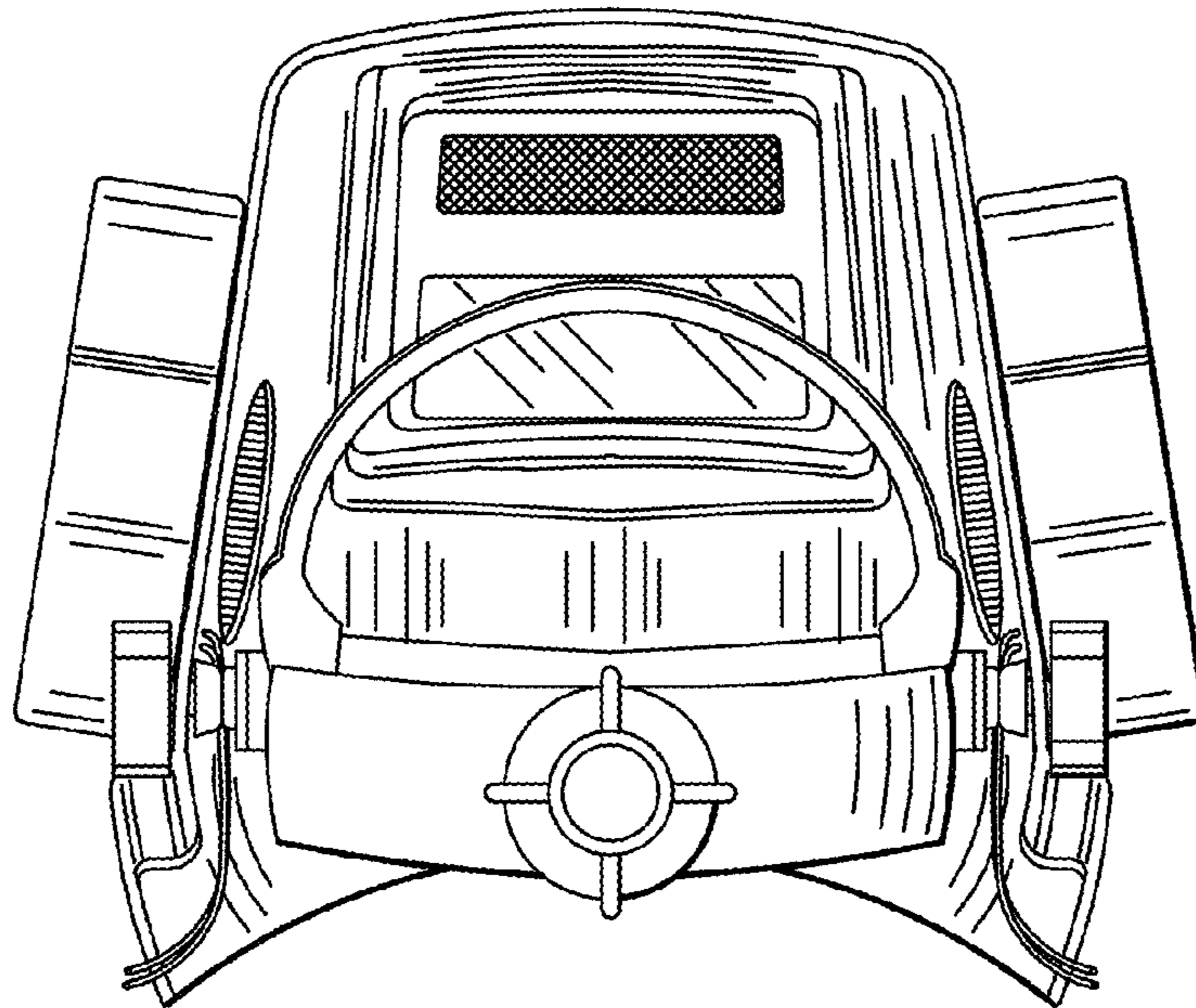


FIG. 8

