

US00D770094S

(12) **United States Design Patent**  
**Kanaya**

(10) **Patent No.:** **US D770,094 S**

(45) **Date of Patent:** **\*\* Oct. 25, 2016**

- (54) **HAIR CURLER**
- (71) Applicant: **KABUSHIKIKAISYA TSUYAMOTE BEAUTY**, Minato-Ku, Tokyo (JP)
- (72) Inventor: **Kaoru Kanaya**, Tokyo (JP)
- (73) Assignee: **KABUSHIKIKAISYA TSUYAMOTE BEAUTY**, Tokyo (JP)
- (\*\*) Term: **15 Years**
- (21) Appl. No.: **29/543,869**
- (22) Filed: **Oct. 29, 2015**

(30) **Foreign Application Priority Data**

May 5, 2015 (JP) ..... 2015-009935

(51) **LOC (10) Cl.** ..... **28-03**

(52) **U.S. Cl.**  
USPC ..... **D28/35**

(58) **Field of Classification Search**

USPC ..... D28/10, 13, 15, 18, 24, 25, 26, 28, 35  
 CPC ..... A45D 24/10; A45D 1/00-1/28; A45D 20/48-20/525; A45D 20/10; A45D 2/00; A45D 2/001; A45D 2/002; A45D 2/02; A45D 2/04; A45D 2/06; A45D 2/08; A45D 2/10; A45D 2/12-2/22; A45D 2/24-2/34; A45D 2/36-2/367; A45D 2/38-2/44  
 See application file for complete search history.

(56) **References Cited**

**U.S. PATENT DOCUMENTS**

3,459,199 A \* 8/1969 Connell ..... A45D 24/10  
 132/119.1  
 D228,696 S \* 10/1973 Bluestein ..... D28/13

4,866,249 A \* 9/1989 Howard ..... A45D 1/04  
 132/229  
 D384,439 S \* 9/1997 Howard ..... D28/35  
 5,673,710 A \* 10/1997 Schaefer ..... A45D 1/18  
 132/118  
 D439,701 S \* 3/2001 Engelen ..... D28/13  
 D705,483 S \* 5/2014 Xu ..... D28/35  
 D716,495 S \* 10/2014 Colin ..... D28/35  
 D732,737 S \* 6/2015 Kaizuka ..... D28/35  
 2011/0114110 A1 \* 5/2011 Guthans ..... A45D 2/00  
 132/211  
 2013/0247933 A1 \* 9/2013 Oh ..... A45D 2/002  
 132/269  
 2016/0100664 A1 \* 4/2016 Ragosta ..... A45D 1/04  
 132/200

\* cited by examiner

*Primary Examiner* — Jennifer Rivard

(74) *Attorney, Agent, or Firm* — Andrew F. Young, Esq.;  
Lackenbach Siegel, LLP

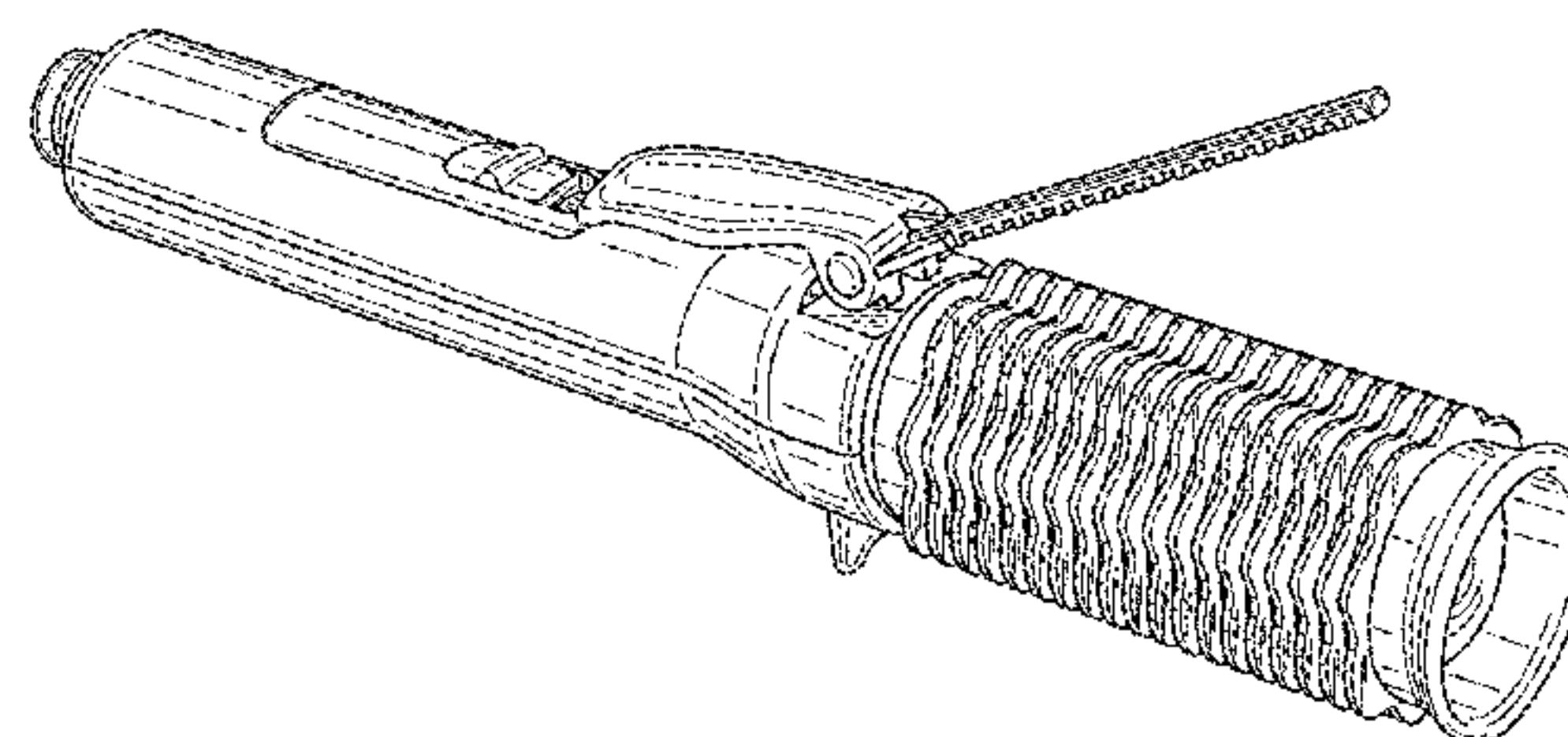
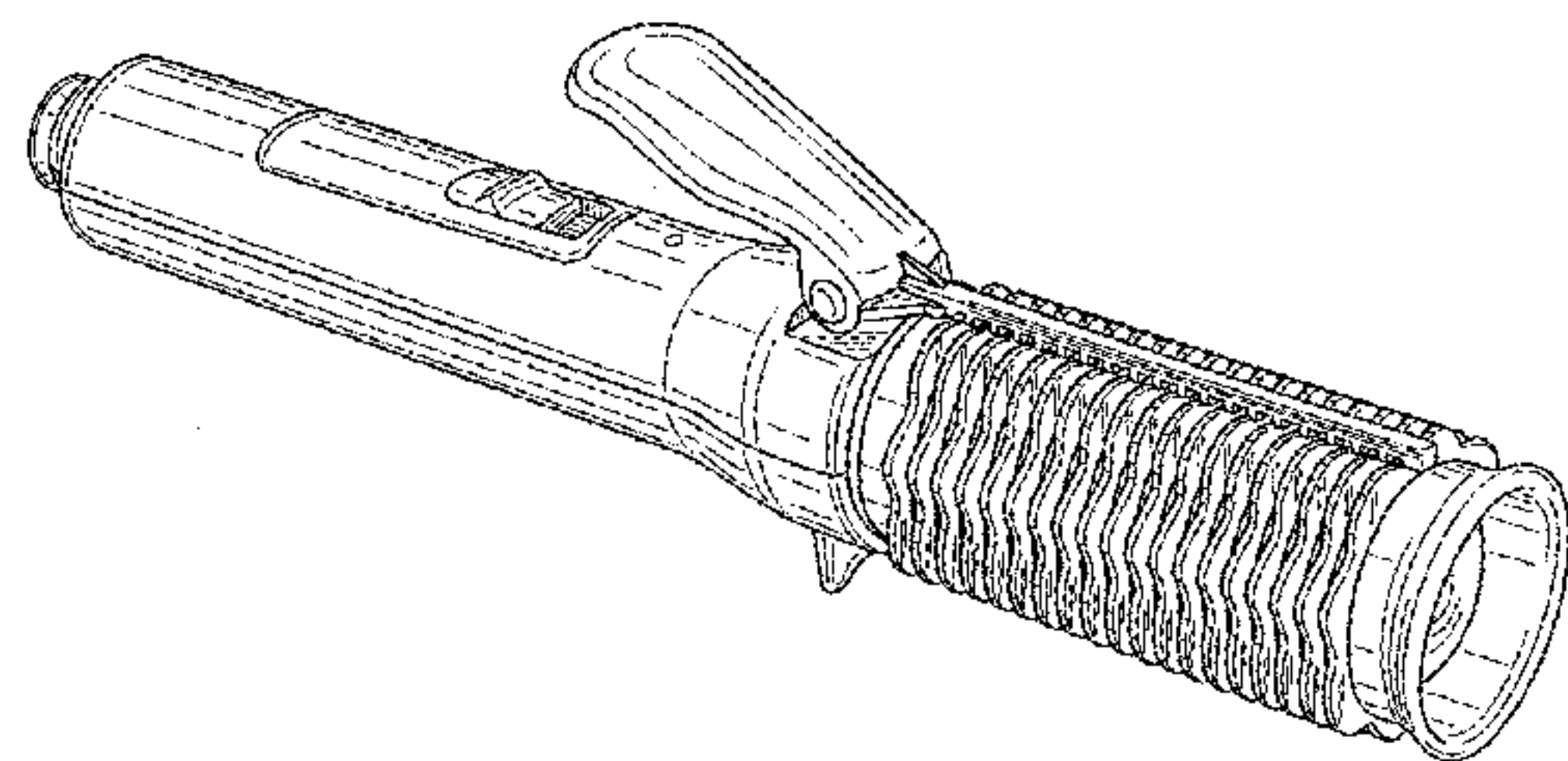
(57) **CLAIM**

The ornamental design for a hair curler, as shown and described.

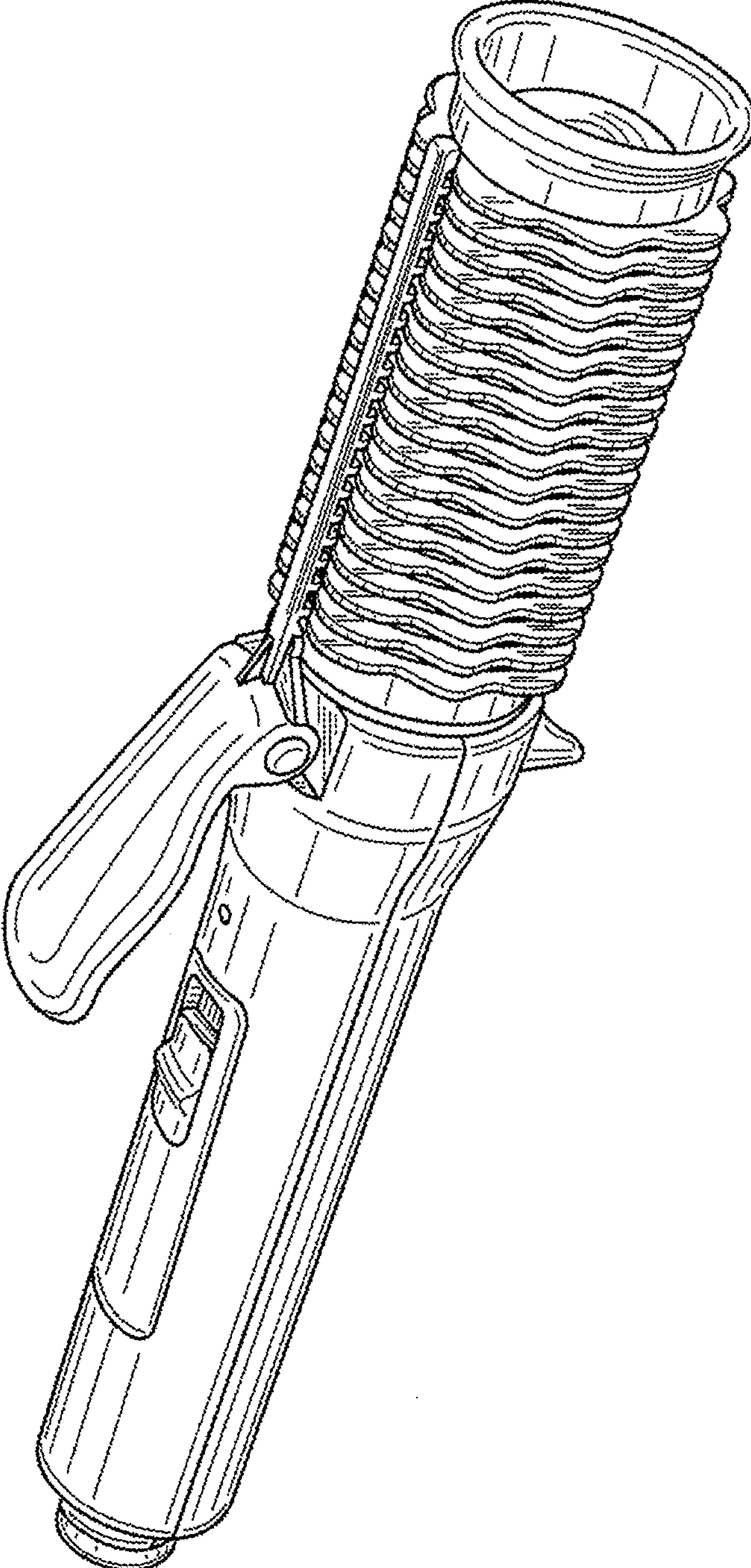
**DESCRIPTION**

FIG. 1 is a front perspective view of a hair curler.  
 FIG. 2 is a front elevation view of the hair curler of FIG. 1.  
 FIG. 3 is a rear elevation view of the hair curler of FIG. 1.  
 FIG. 4 is a right side elevation view of FIG. 1.  
 FIG. 5 is a left side elevation view of FIG. 1.  
 FIG. 6 is a top plan view of FIG. 1.  
 FIG. 7 is a bottom plan view of FIG. 1.  
 FIG. 8 is a perspective view of FIG. 1 illustrating an in use condition.  
 FIG. 9 is a front elevation view of FIG. 8; and,  
 FIG. 10 is a right side elevation view of FIG. 8.

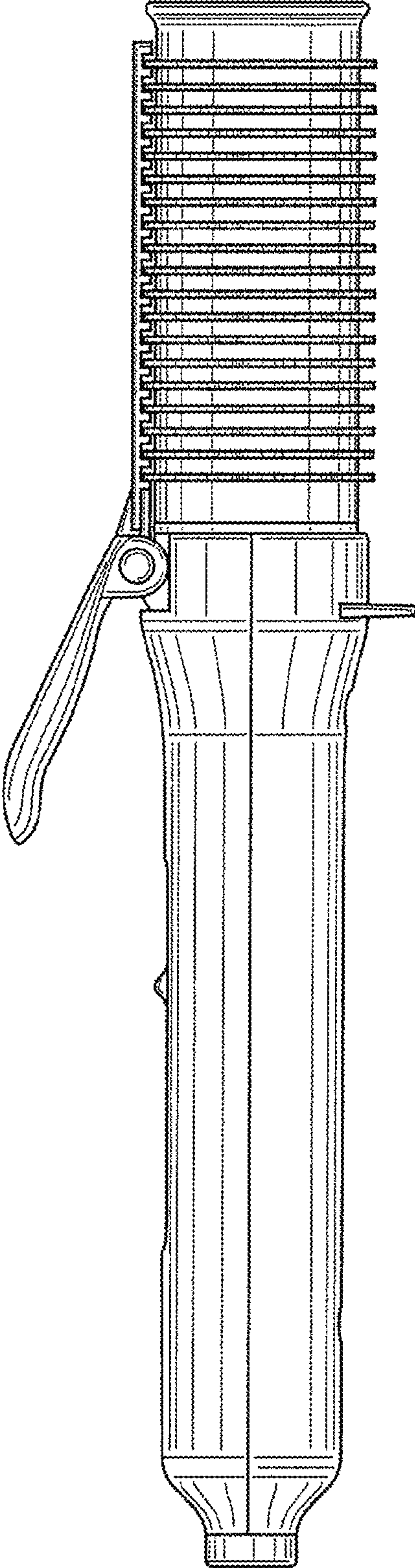
**1 Claim, 10 Drawing Sheets**



**FIG. 1**

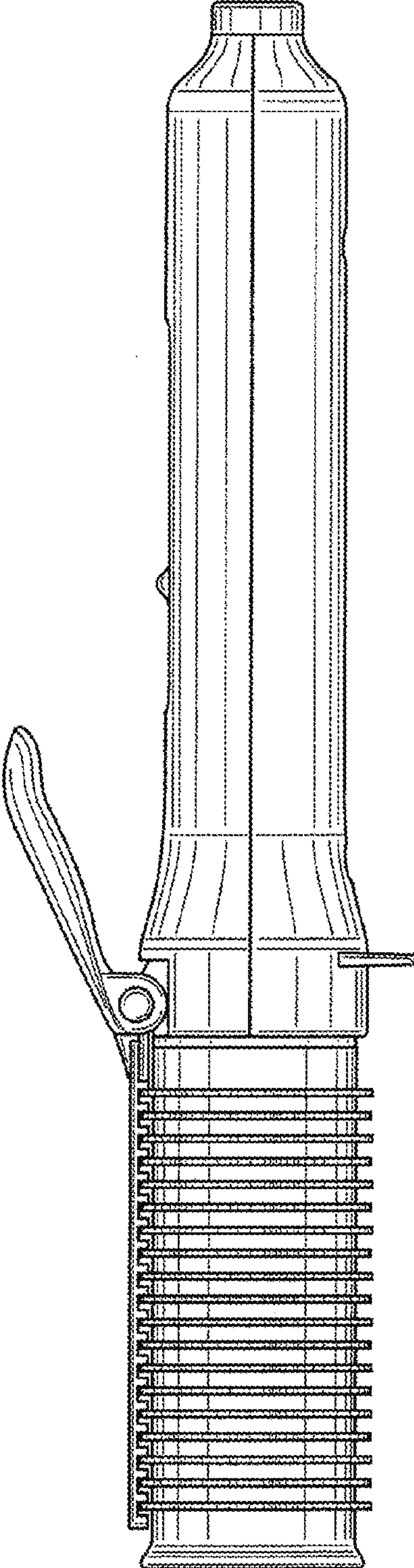


*FIG. 2*

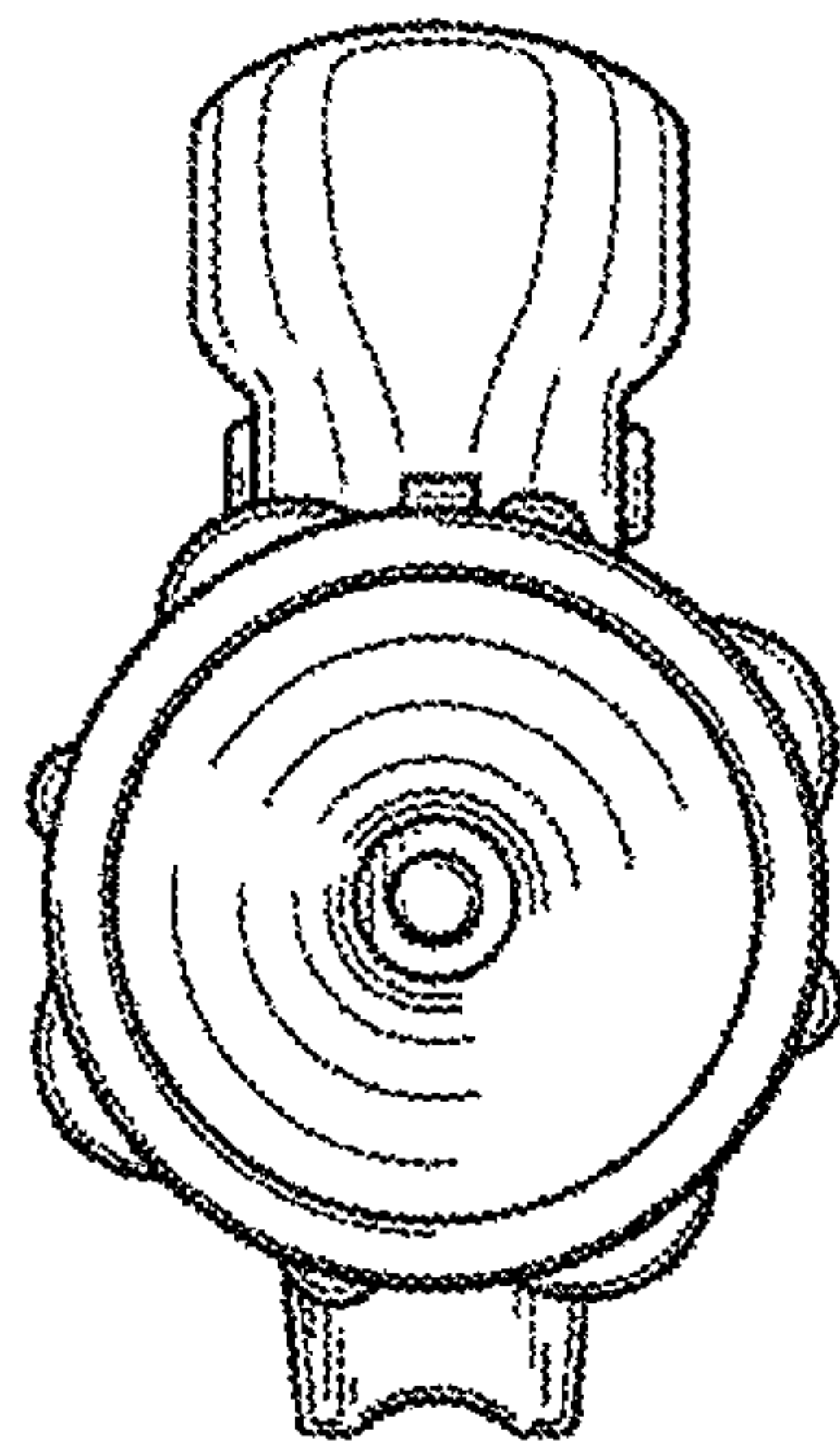




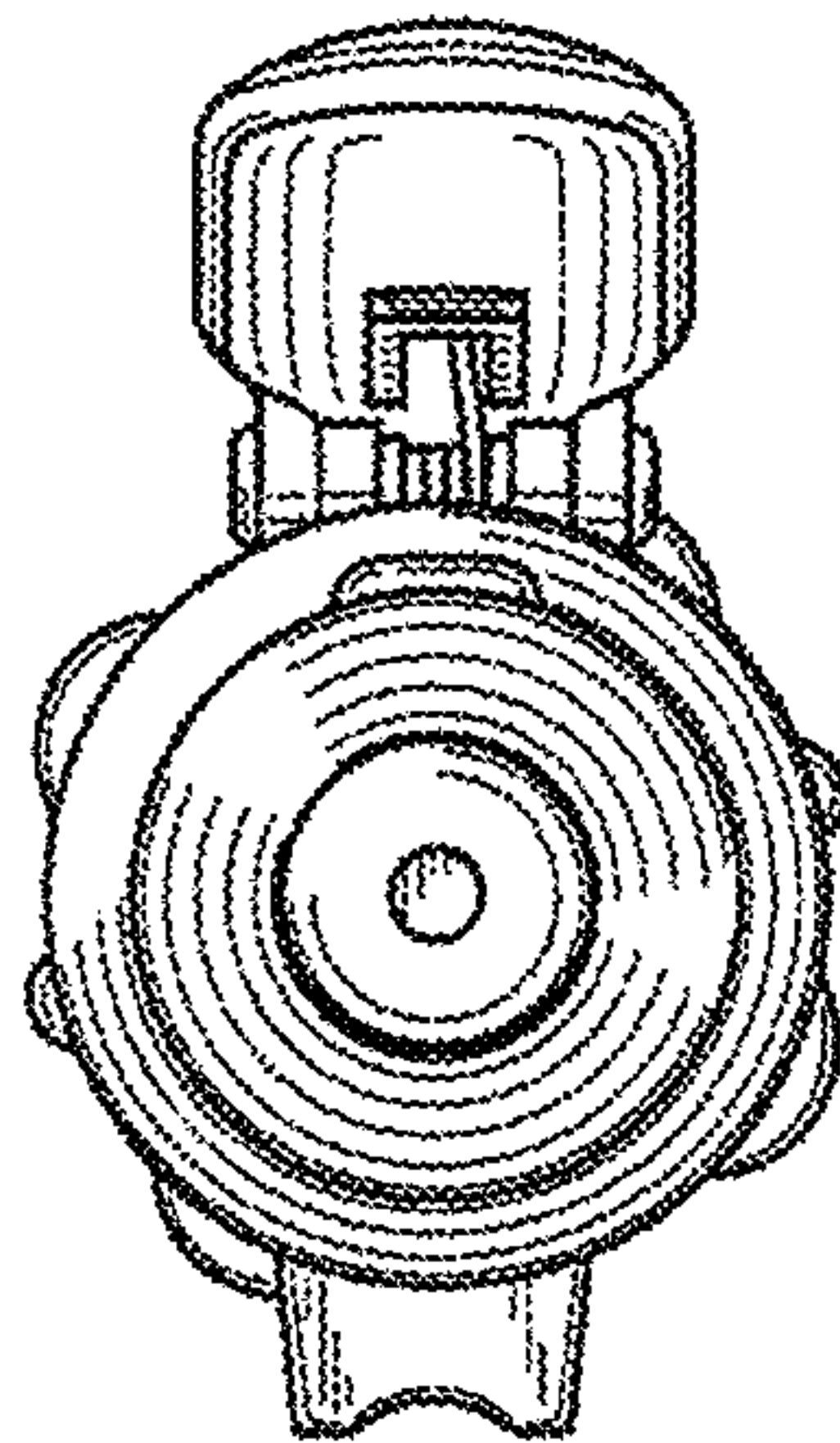
*FIG. 3*

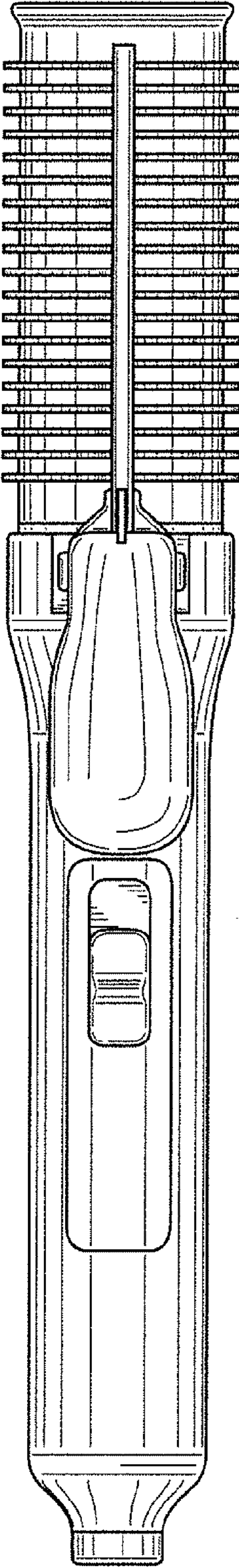


***FIG. 4***



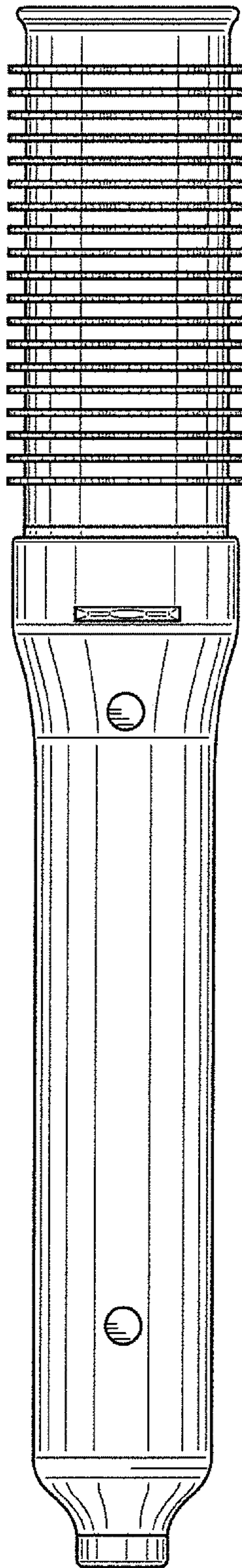
*FIG. 5*





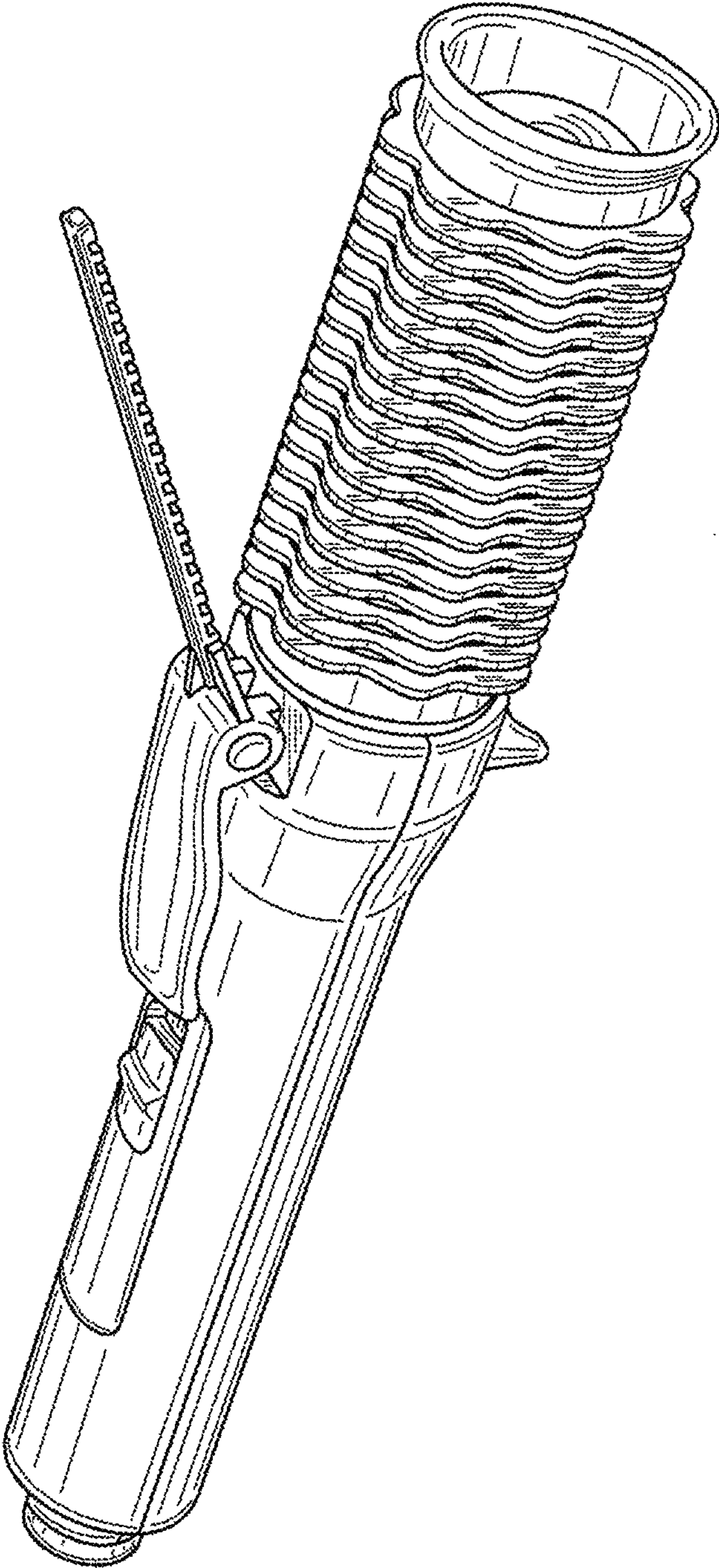
*FIG. 6*

**FIG. 7**

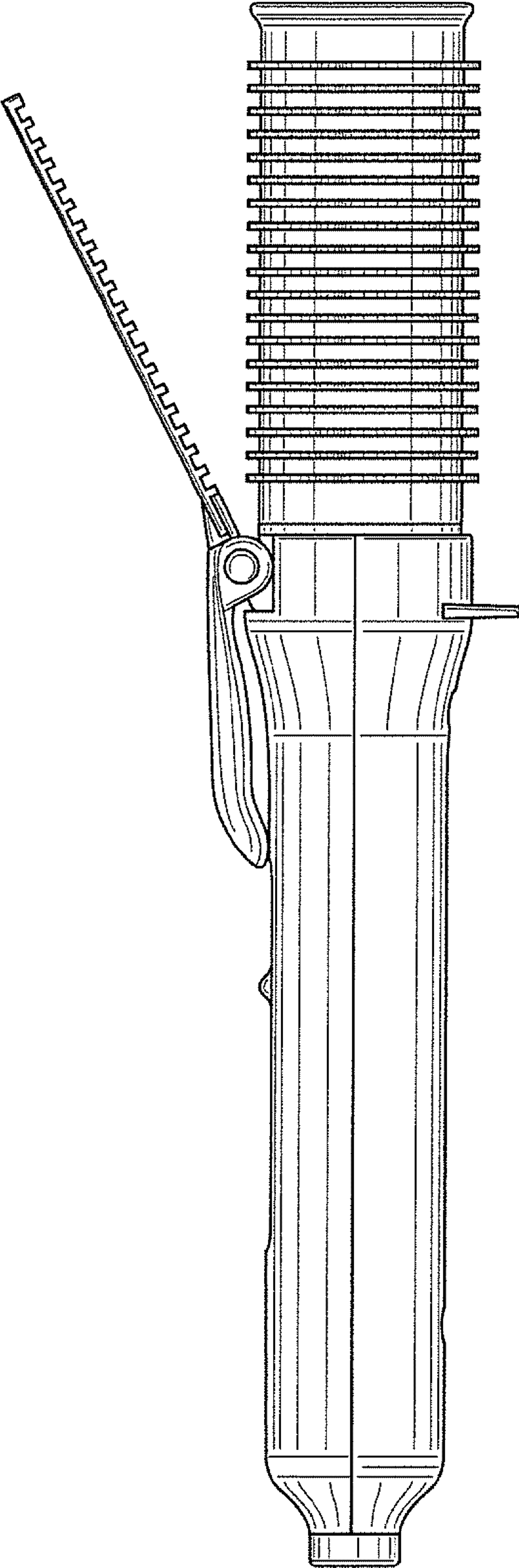




**FIG. 8**



*FIG. 9*



*FIG. 10*

