



US00D770089S

(12) **United States Design Patent**
Zahr et al.

(10) **Patent No.:** **US D770,089 S**
(45) **Date of Patent:** **** Oct. 25, 2016**

- (54) **E-LIQUID DISPENSER CASE**
- (71) Applicant: **RETRO BRANDS, LLC**, Foothill Ranch, CA (US)
- (72) Inventors: **Rabih Zahr**, Foothill Ranch, CA (US); **Shady Makarem**, Foothill Ranch, CA (US); **Nedal Makarem**, Foothill Ranch, CA (US)
- (73) Assignee: **Retro Brands, LLC**, Foothill Ranch, CA (US)
- (**) Term: **15 Years**
- (21) Appl. No.: **29/561,738**
- (22) Filed: **Apr. 19, 2016**

Related U.S. Application Data

- (62) Division of application No. 29/477,434, filed on Dec. 20, 2013.
- (51) **LOC (10) Cl.** **27-06**
- (52) **U.S. Cl.**
USPC **D27/186**
- (58) **Field of Classification Search**
USPC D27/100, 139, 141-143, 146-148, D27/150-161, 172, 183, 186-187, 189-191, D27/194; 431/153; D9/529, 517, 417, 420, D9/421, 523; 131/329
CPC F23D 11/36; B65D 51/18
See application file for complete search history.

(56) **References Cited**

U.S. PATENT DOCUMENTS

228,598 A	6/1880	Buckley
523,254 A	7/1894	Winkley
630,277 A	8/1899	Weitling
657,267 A	9/1900	Epstein
697,601 A	4/1902	Biren
744,074 A	11/1903	Hiering

1,032,326 A	7/1912	Erichsen
1,093,481 A	4/1914	Savage
1,188,067 A	6/1916	Greer
2,064,584 A	12/1936	Aronson
D134,173 S	10/1942	Kanter
2,509,462 A	5/1950	Vogel
2,557,048 A	6/1951	Haase
2,672,141 A	3/1954	Filger

(Continued)

OTHER PUBLICATIONS

PCT/US2014/070117; International Search Report and Written Opinion of the ISA mailed May 19, 2015; 7 pages.

Primary Examiner — Susan Bennett Hattan

Assistant Examiner — Janice Hallmark

(74) *Attorney, Agent, or Firm* — Hankin Patent Law APC; Jimmy Sauz; Kevin Schraven

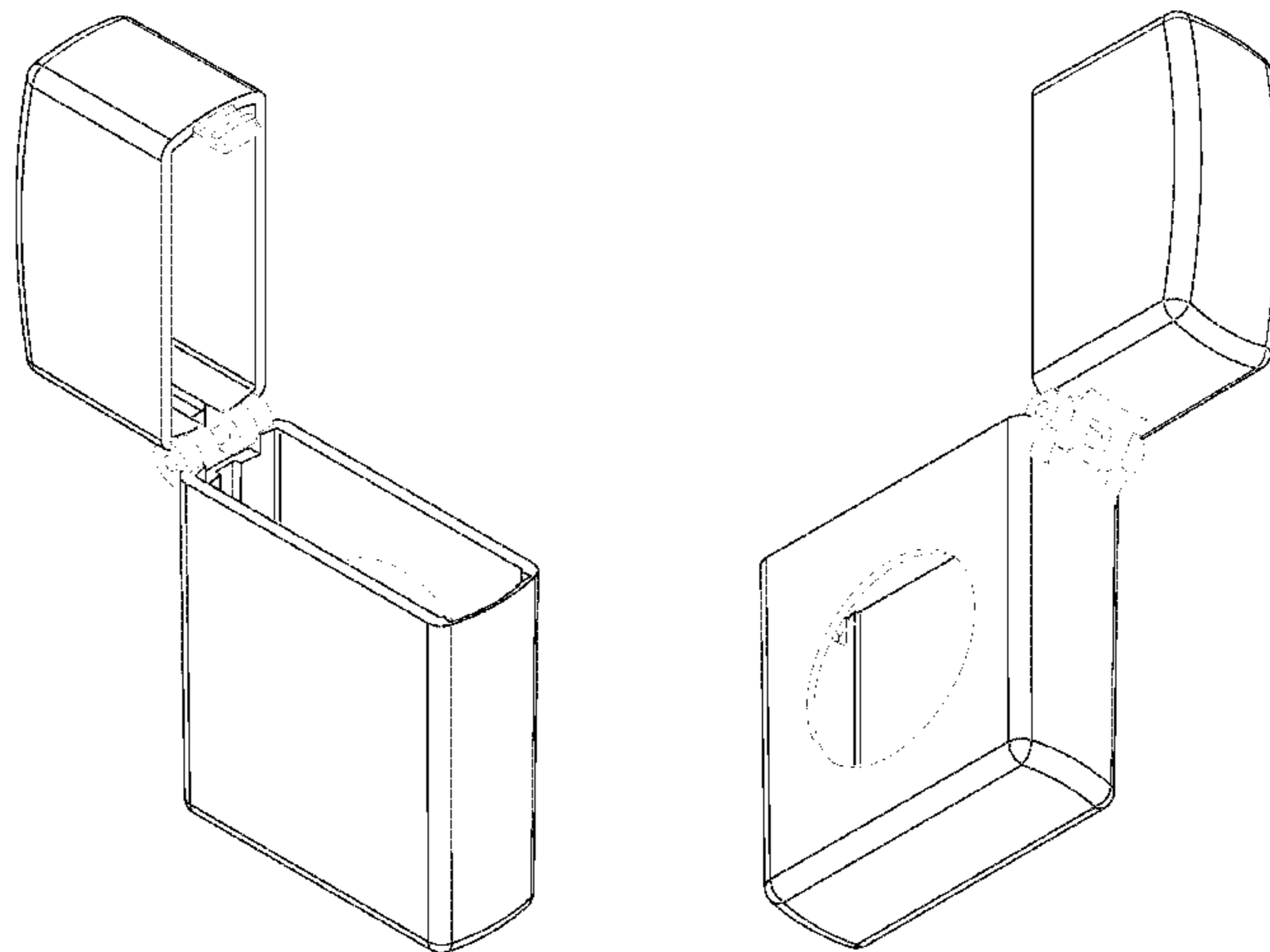
(57) **CLAIM**

The ornamental design for an e-liquid dispenser case, as shown and described.

DESCRIPTION

FIG. 1 is a front elevational view of an e-liquid dispenser case, showing our new design.
 FIG. 2 is a left side elevational view thereof.
 FIG. 3 is a right side elevational view thereof.
 FIG. 4 is a top perspective view thereof.
 FIG. 5 is a rear perspective view thereof.
 FIG. 6 is a bottom perspective view thereof.
 FIG. 7 is a front elevational view thereof.
 FIG. 8 is a rear elevational view thereof.
 FIG. 9 is a left side elevational view thereof.
 FIG. 10 is a right side elevational view thereof.
 FIG. 11 is a top plan view thereof; and,
 FIG. 12 is a bottom plan view thereof.
 The broken lines in the drawings depict parts of the e-liquid dispenser case that form no part of the claimed design.

1 Claim, 9 Drawing Sheets



(56)

References Cited

U.S. PATENT DOCUMENTS

2,675,146 A 4/1954 Russell
 2,906,439 A 9/1959 Santuci, Sr.
 D168,121 S 10/1963 Rachel
 D196,934 S 11/1963 Grushon
 D205,085 S 6/1966 Goessling
 3,325,031 A 6/1967 Singier
 3,341,083 A 9/1967 Stewart
 3,412,907 A 11/1968 Faso
 D218,281 S 8/1970 Diener
 3,548,446 A 12/1970 Hocq
 D228,037 S 7/1973 Wood
 D228,039 S 7/1973 Wood
 D229,519 S 12/1973 Wood
 3,926,347 A 12/1975 Buckley et al.
 D249,870 S 10/1978 Tillander
 4,168,032 A 9/1979 Sneider
 4,563,104 A 1/1986 Saint-Amand
 4,779,768 A 10/1988 St. Amand
 4,787,536 A 11/1988 Widerstrom
 4,930,668 A 6/1990 Krall
 D316,972 S * 5/1991 Law D9/448
 5,048,727 A 9/1991 Vlasich
 D326,339 S 5/1992 Sherman
 D328,431 S 8/1992 Skidmore
 D338,336 S 8/1993 Grant
 5,337,924 A 8/1994 Dickie
 5,348,194 A 9/1994 Mascitelli et al.
 5,649,648 A 7/1997 Lier
 5,673,822 A 10/1997 Chalmin
 5,784,087 A 7/1998 Wallace
 5,791,525 A 8/1998 Fan
 5,927,548 A 7/1999 Villaveces
 5,950,848 A 9/1999 Baudin
 6,062,437 A 5/2000 Mascitlli
 6,142,333 A 11/2000 Sasamoto
 6,142,344 A 11/2000 Kai
 6,240,930 B1 6/2001 Yuhara
 6,296,151 B1 10/2001 Chen
 D462,139 S 8/2002 Sagmeister
 6,460,781 B1 10/2002 Garcia
 6,520,367 B1 2/2003 Piroch
 6,561,391 B1 5/2003 Baker
 D499,019 S 11/2004 Sagmeister
 6,860,387 B2 3/2005 Chang
 7,100,806 B2 9/2006 Schuster
 7,121,432 B2 10/2006 Kostal
 D554,510 S 11/2007 Dorn
 D567,646 S 4/2008 Ballard
 D571,216 S 6/2008 Christian
 D578,302 S 10/2008 Arvidsson
 D586,656 S 2/2009 Mount
 7,651,009 B2 1/2010 Grant
 D613,609 S 4/2010 Pok
 D618,391 S 6/2010 Moore
 D622,901 S 8/2010 Smith

8,038,034 B2 10/2011 Pelfrey
 D653,391 S 1/2012 Chuan
 8,092,434 B2 1/2012 Harlan
 D668,140 S 10/2012 Collins
 D668,533 S 10/2012 Collins
 D668,535 S 10/2012 Collins
 8,336,790 B2 12/2012 Kollins
 8,474,638 B2 7/2013 Pedmo
 8,646,658 B2 2/2014 Bae
 8,833,616 B2 9/2014 Lin
 D723,373 S 3/2015 Wahl
 D732,394 S 6/2015 DeMarco
 9,089,166 B1 7/2015 Scatterday
 D736,455 S 8/2015 Liu
 D738,570 S 9/2015 VanNostran
 D752,282 S * 3/2016 Doster D27/189
 D752,283 S * 3/2016 Doster D27/189
 D752,286 S * 3/2016 Doster D27/189
 2002/0036207 A1 3/2002 Ohuo
 2003/0006309 A1 1/2003 Duqueroie
 2003/0010844 A1 1/2003 Duqueroie
 2003/0136783 A1 7/2003 Hatsumoto
 2004/0149778 A1 8/2004 Altonen
 2005/0211241 A1 9/2005 Anderson et al.
 2006/0151535 A1 7/2006 Duquet
 2007/0023453 A1 2/2007 Simkins
 2007/0045358 A1 3/2007 Arancibia
 2007/0102389 A1 5/2007 Hoepner
 2007/0102390 A1 5/2007 Hoepner
 2007/0102391 A1 5/2007 Hoepner
 2007/0151993 A1 7/2007 Yelland
 2007/0175931 A1 8/2007 Leoncavallo
 2007/0228042 A1 10/2007 Yeager
 2007/0267444 A1 11/2007 de Buzzaccarini
 2007/0270325 A1 11/2007 de Buzzaccarini
 2008/0015135 A1 1/2008 de Buzzaccarini
 2008/0029548 A1 2/2008 De Wree
 2008/0032909 A1 2/2008 de Buzzaccarini
 2009/0114617 A1 5/2009 Inomata
 2009/0188214 A1 7/2009 Vohnout-Marle
 2010/0051496 A1 3/2010 Watson
 2010/0127012 A1 5/2010 Takeuchi
 2010/0140283 A1 6/2010 Brozell
 2010/0282779 A1 11/2010 Ramsey
 2010/0327009 A1 12/2010 Hofte
 2011/0011886 A1 1/2011 Zaima
 2011/0082409 A1 4/2011 Reishus
 2012/0114819 A1 5/2012 Ragnarsson et al.
 2012/0167906 A1 7/2012 Gysland
 2012/0181283 A1 7/2012 Wahl
 2012/0227753 A1 9/2012 Newton
 2012/0267397 A1 10/2012 Inaba
 2012/0285995 A1 11/2012 Inaba
 2013/0248385 A1 9/2013 Scatterday
 2014/0034644 A1 2/2014 Wahl
 2015/0048088 A1 2/2015 Giraud
 2016/0081391 A1 3/2016 Zahr

* cited by examiner

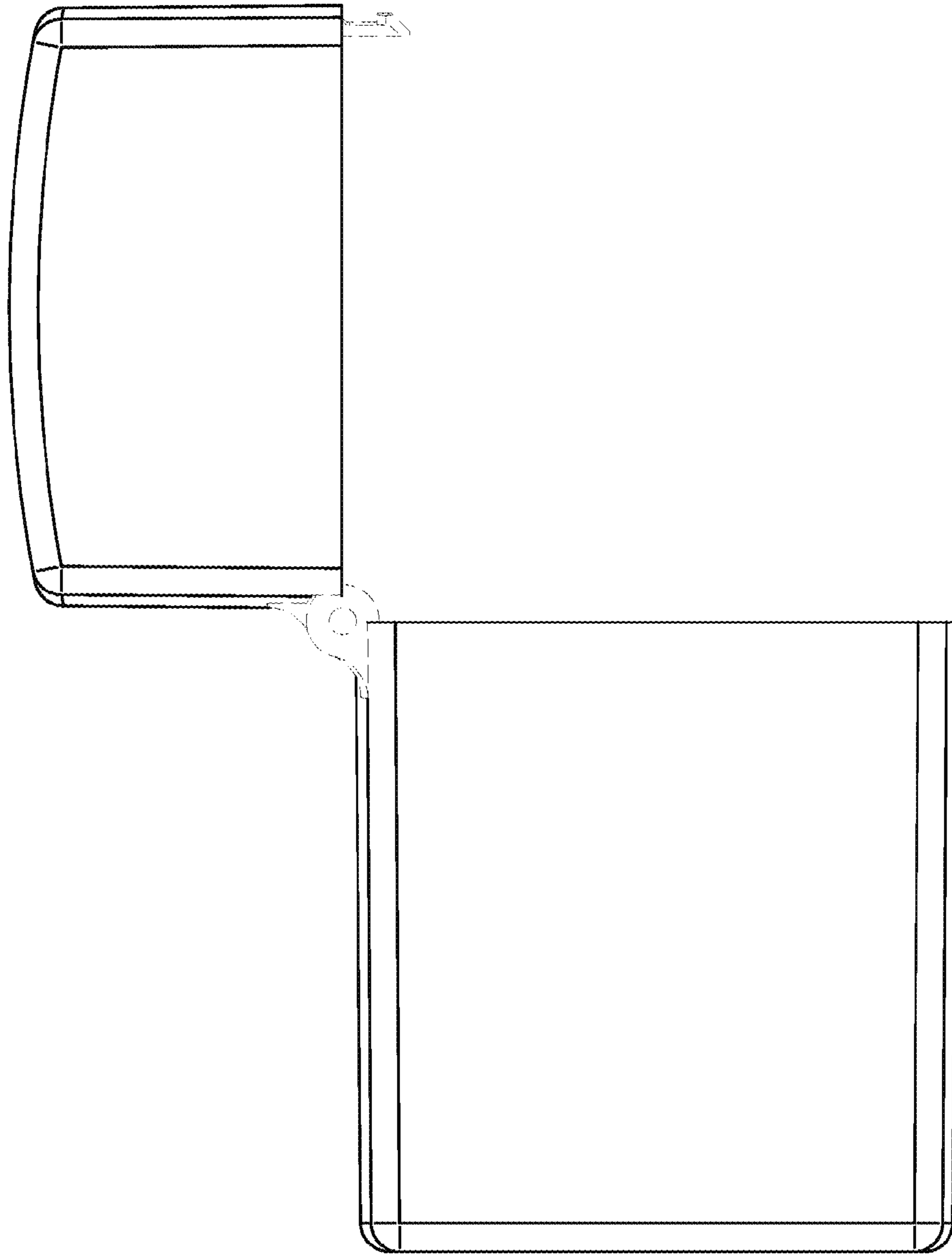


FIG. 1

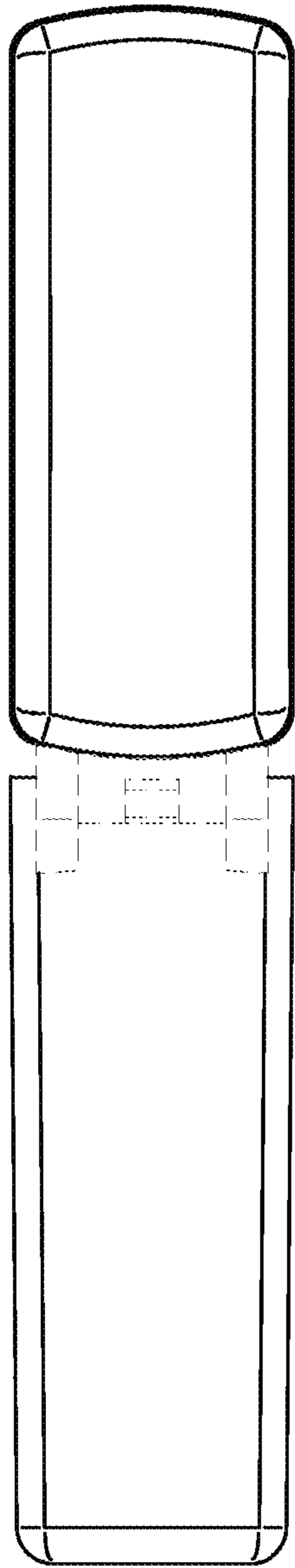


FIG. 2

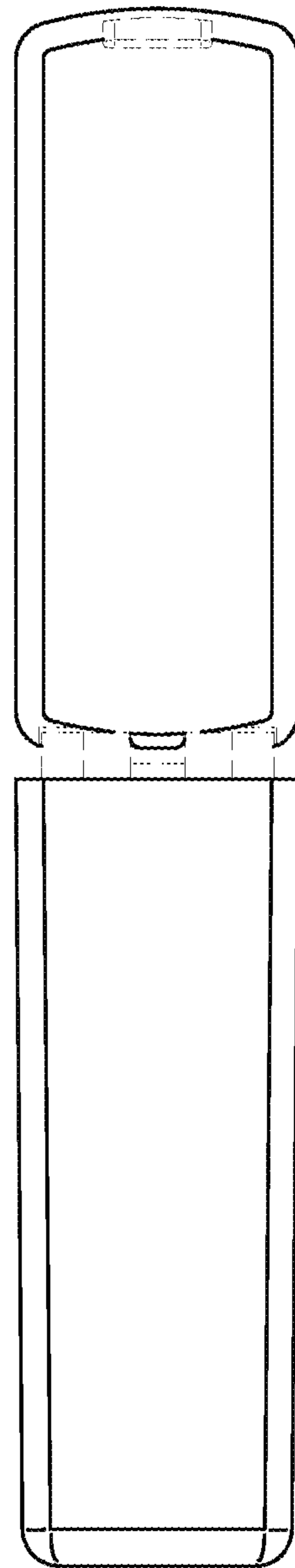


FIG. 3

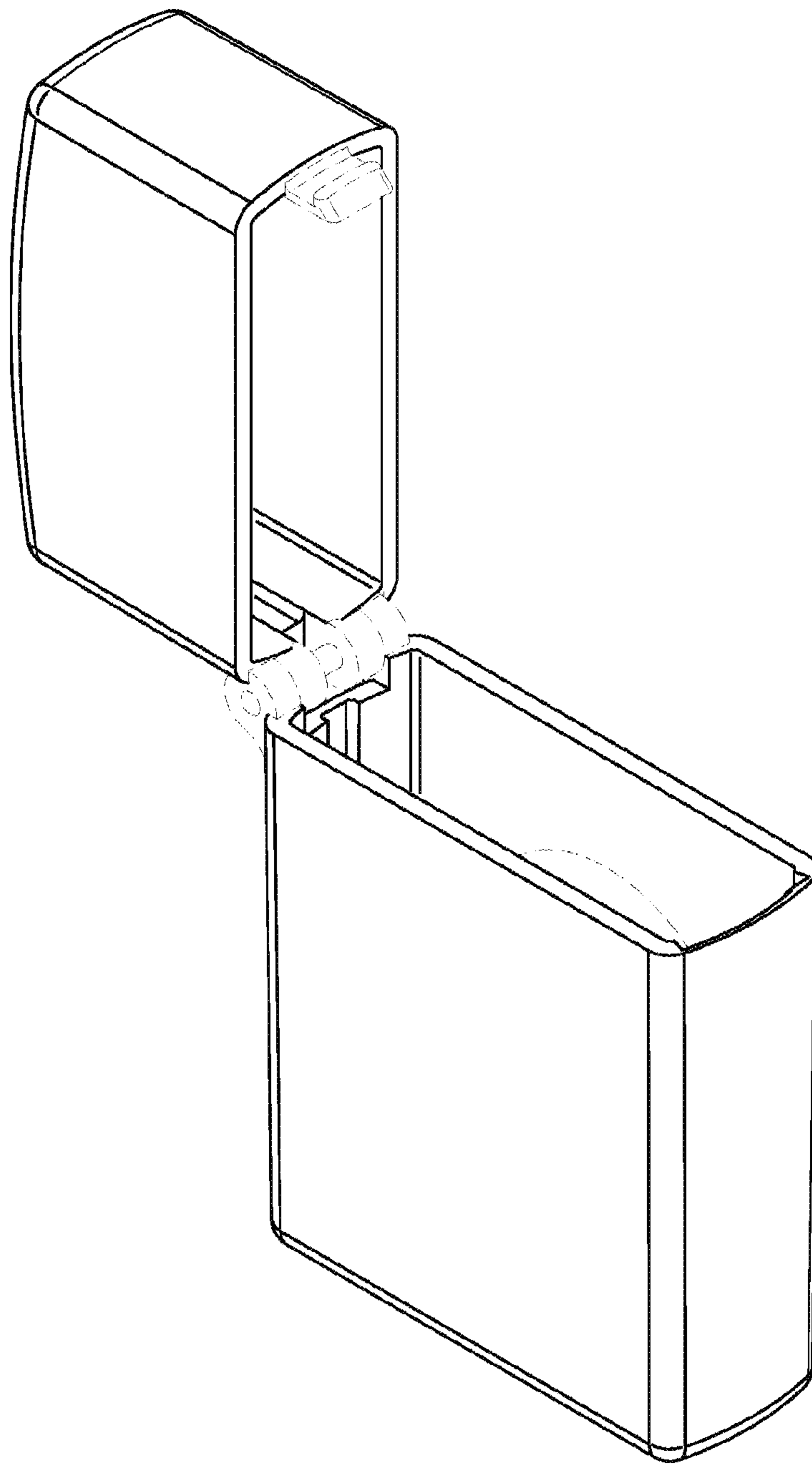


FIG. 4

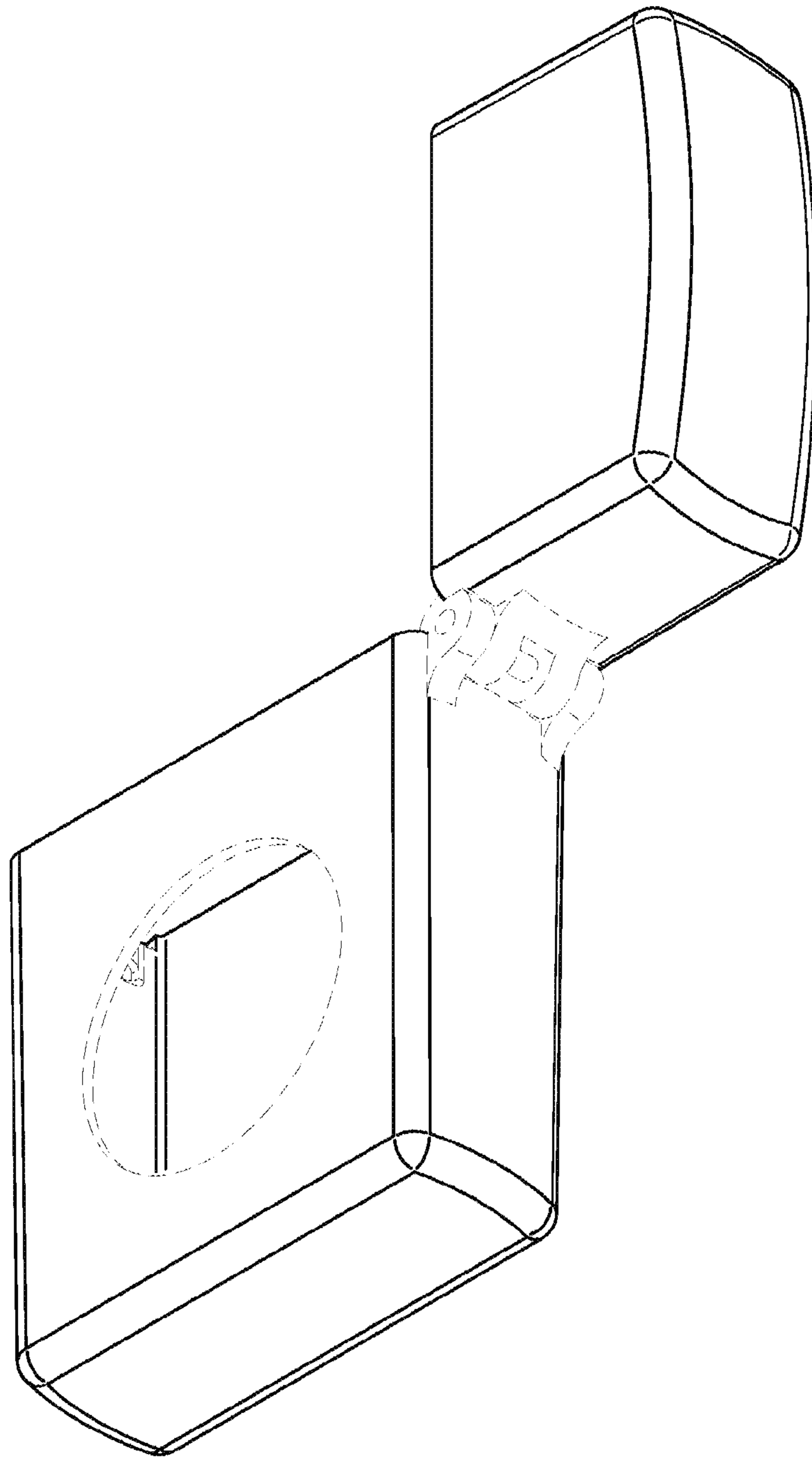


FIG. 5

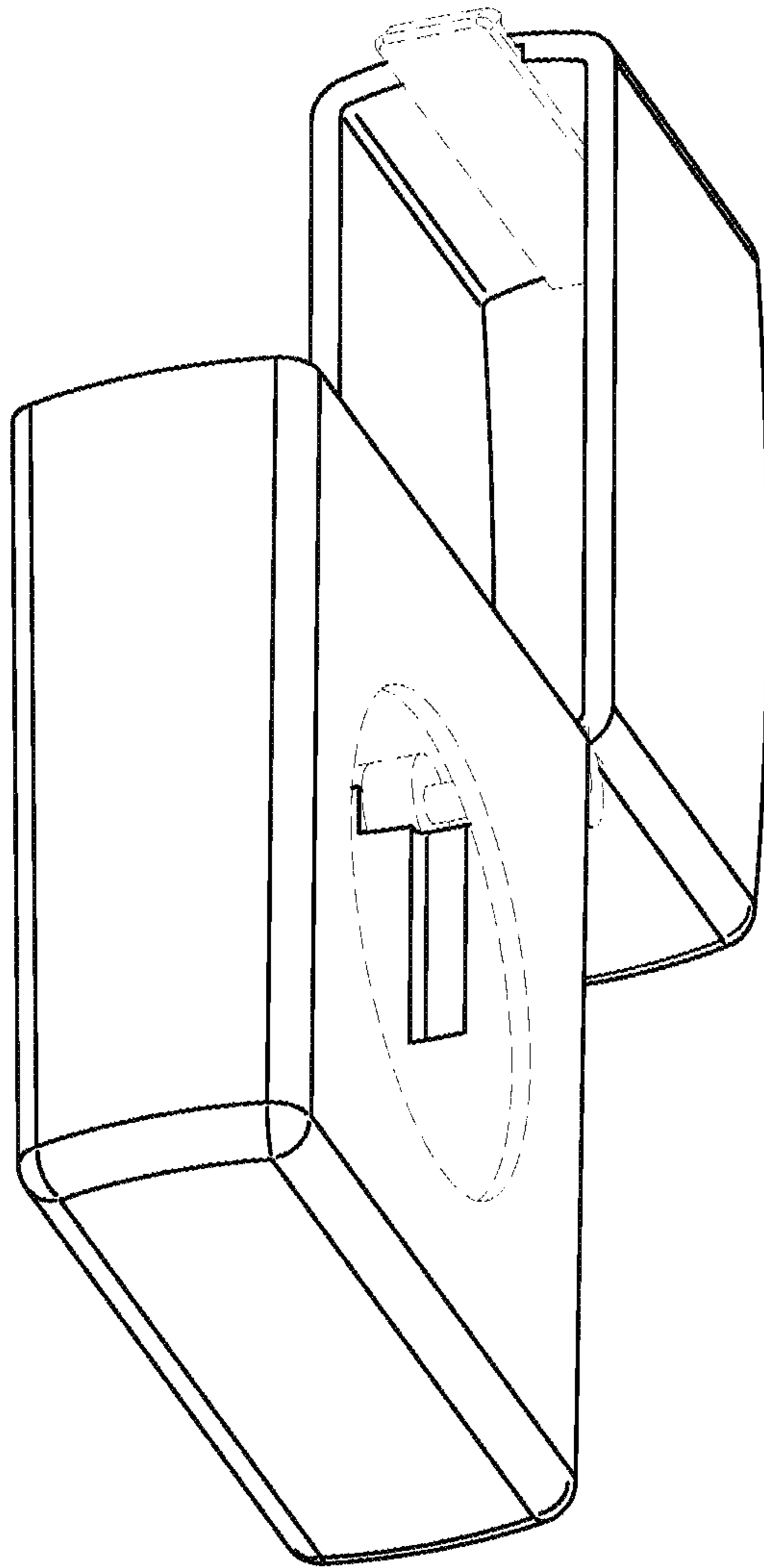


FIG. 6

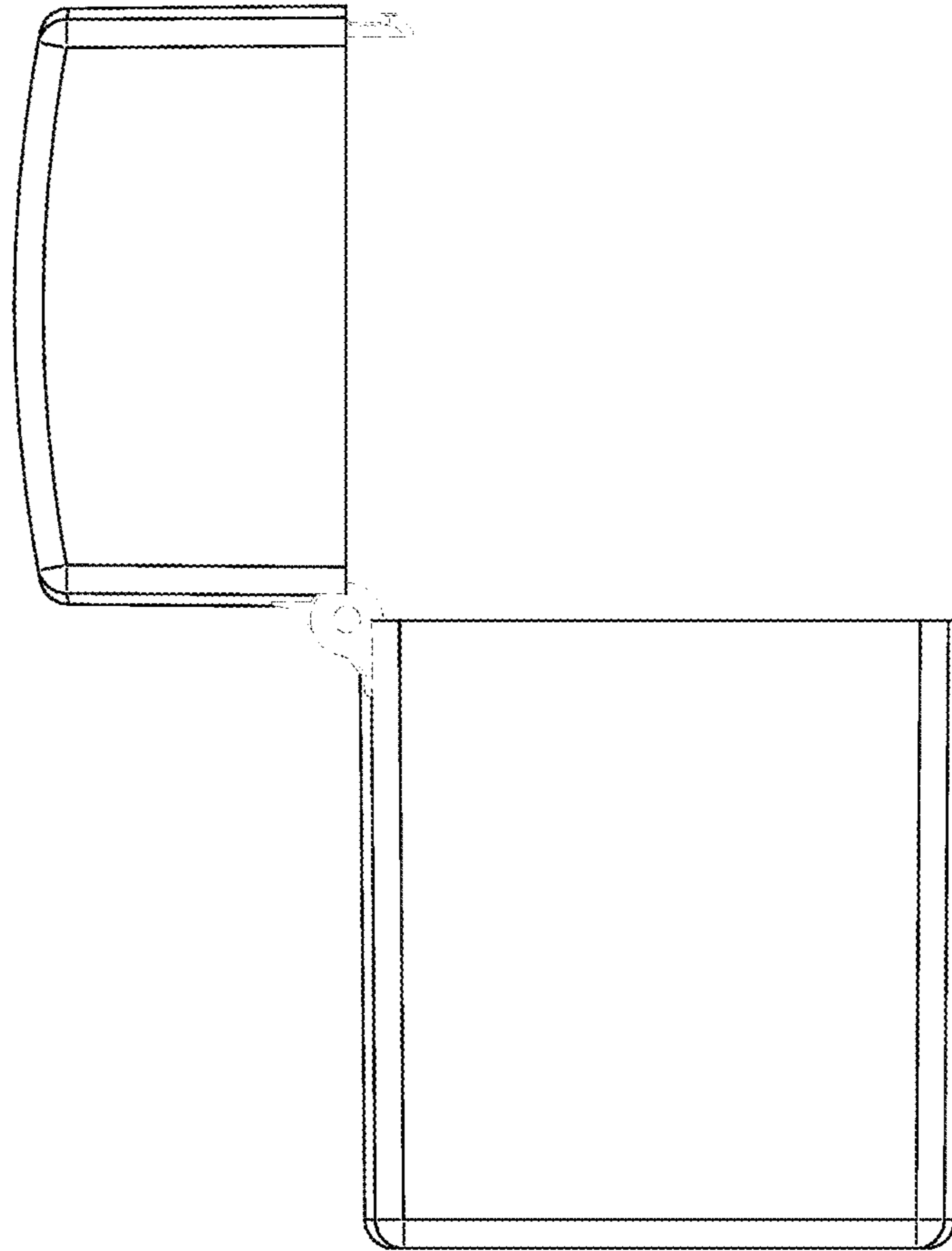


FIG. 7

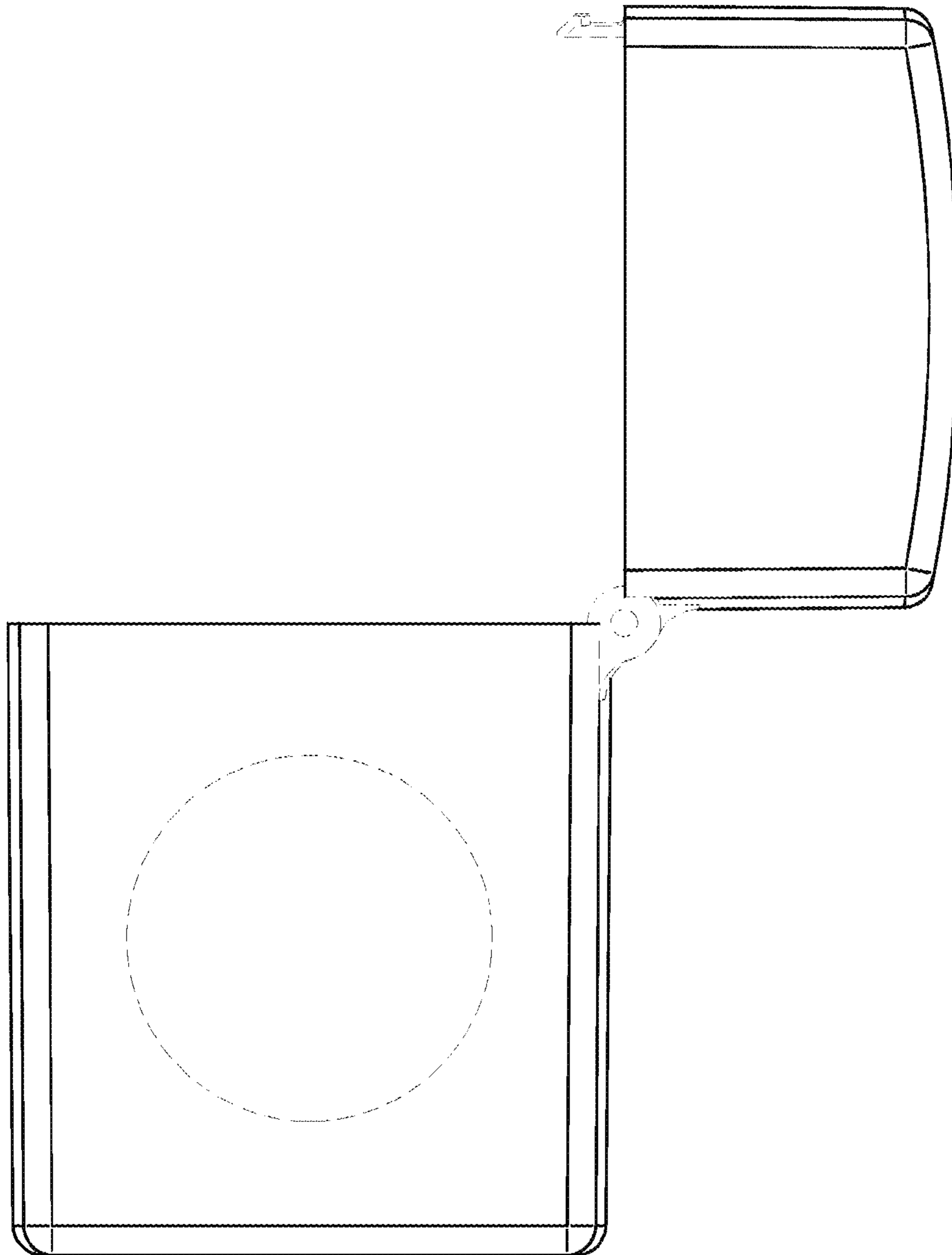


FIG. 8

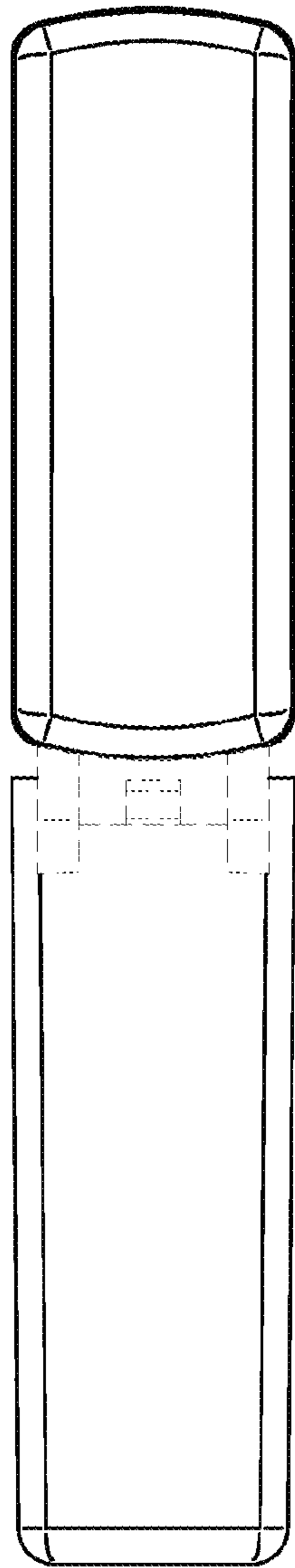


FIG. 9

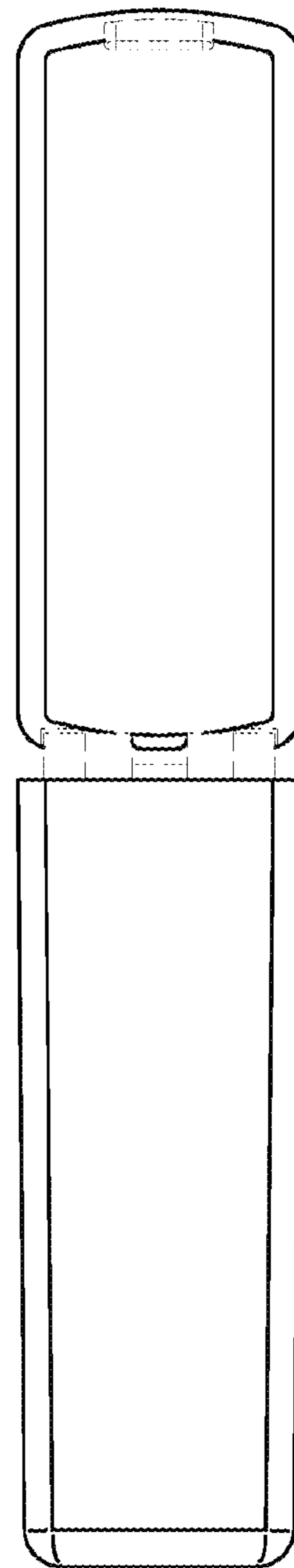


FIG. 10

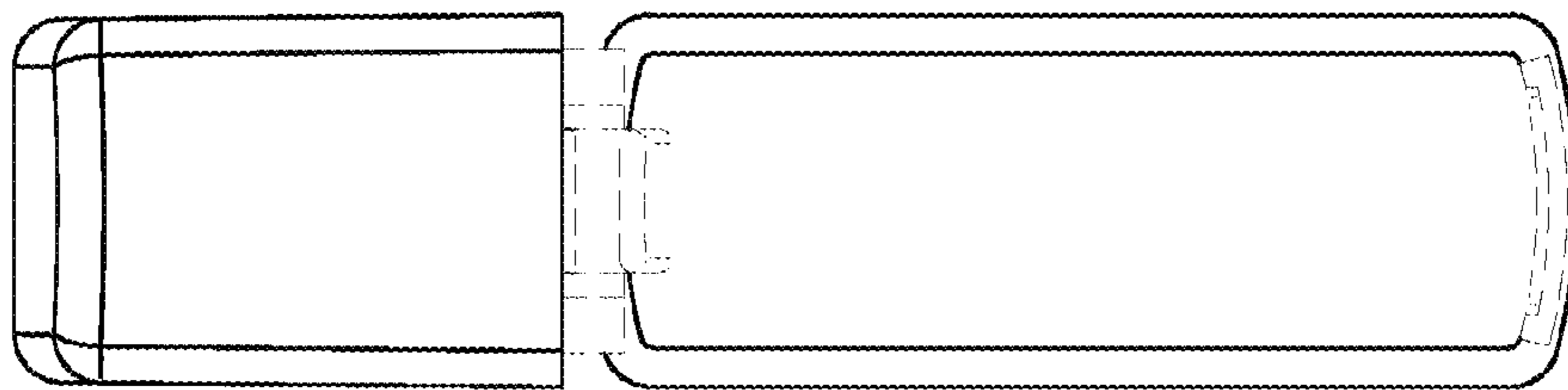


FIG. 11

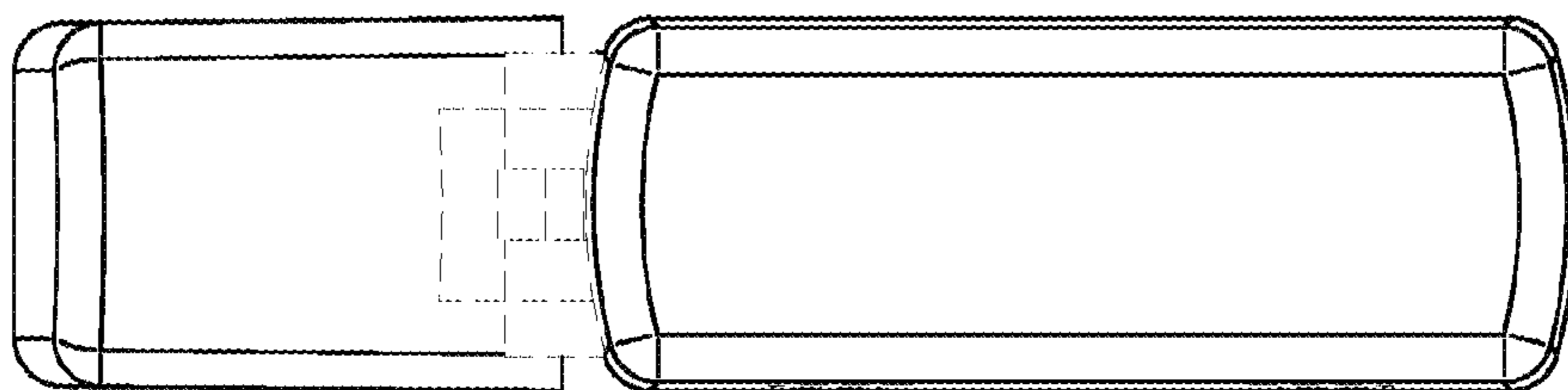


FIG. 12