

US00D770085S

(12) **United States Design Patent** (10) **Patent No.:** **US D770,085 S**  
**Platto et al.** (45) **Date of Patent:** **\*\* Oct. 25, 2016**

(54) **VEHICLE FOG LAMP BEZEL**  
(71) Applicant: **Ford Motor Company**, Dearborn, MI (US)  
(72) Inventors: **Gordon Platto**, Troy, MI (US); **Sean Tant**, Livonia, MI (US); **Richard Howard**, Brighton, MI (US)  
(73) Assignee: **Ford Motor Company**, Dearborn, MI (US)  
(\*\*) Term: **15 Years**  
(21) Appl. No.: **29/537,741**  
(22) Filed: **Aug. 28, 2015**  
(51) **LOC (10) Cl.** ..... **26-99**  
(52) **U.S. Cl.**  
USPC ..... **D26/139**  
(58) **Field of Classification Search**  
USPC ..... D26/28-36, 139; 362/61, 80-83, 362/267-269, 459-468, 475-478, 485-487  
CPC ..... F21S 48/00; F21S 48/10; F21S 48/115; F21S 48/2268; F21V 21/04  
See application file for complete search history.

D364,704 S \* 11/1995 Alger ..... D12/167  
D387,469 S \* 12/1997 Saleen ..... D26/139  
D640,826 S \* 6/2011 Beigel ..... D26/139

\* cited by examiner

*Primary Examiner* — Marcus Jackson  
(74) *Attorney, Agent, or Firm* — Damian Porcari

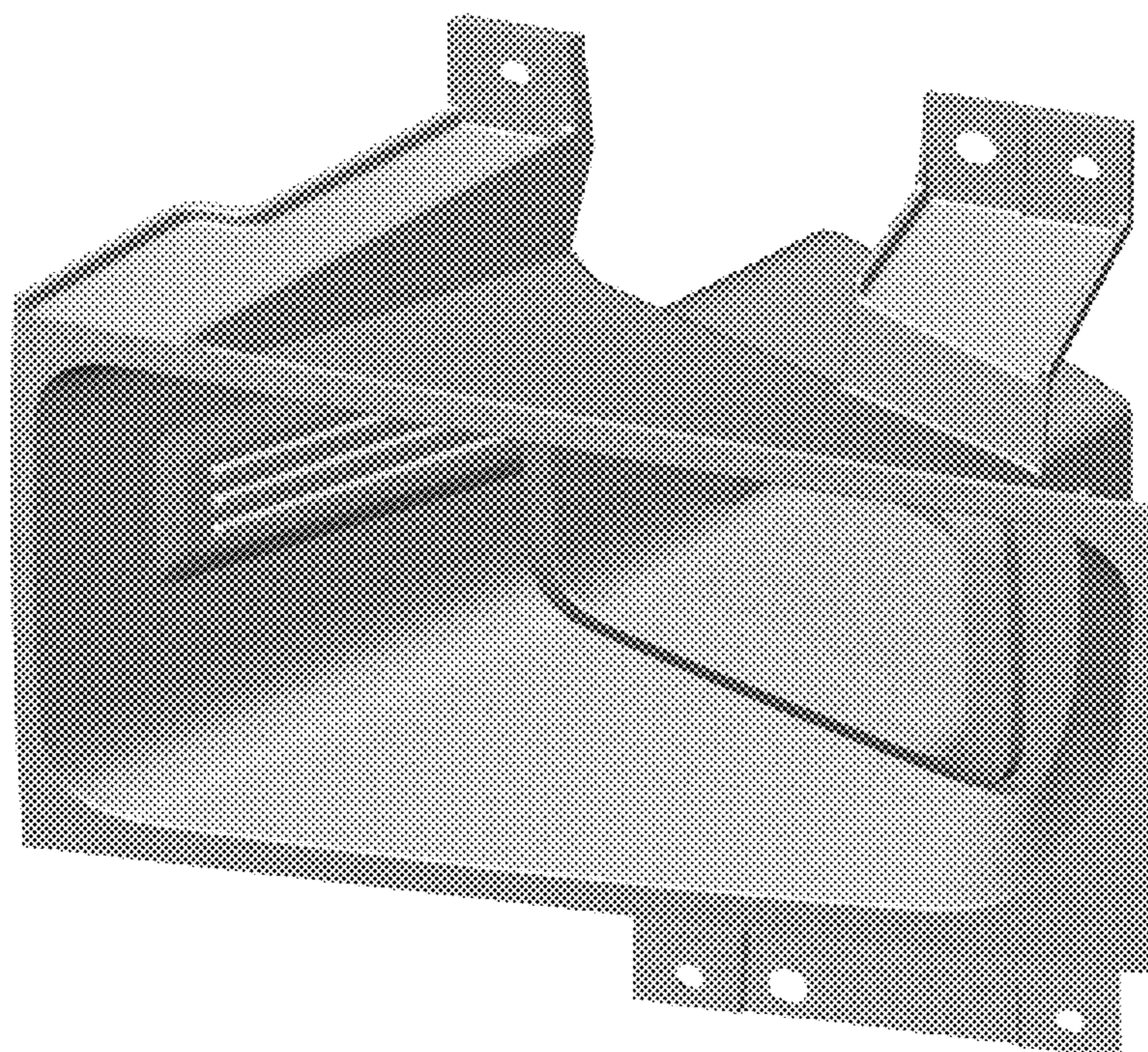
(57) **CLAIM**  
The ornamental design for a vehicle fog lamp bezel, as shown and described.

**DESCRIPTION**

FIG. 1 is a top perspective view of a left vehicle fog lamp bezel (the right vehicle fog lamp bezel being a mirror image, and is not shown);  
FIG. 2 is top perspective view thereof;  
FIG. 3 is a top rear perspective view thereof;  
FIG. 4 is a front elevational view thereof;  
FIG. 5 is a rear elevational view thereof;  
FIG. 6 is a left side elevational view thereof;  
FIG. 7 is a right side elevational view thereof;  
FIG. 8 is a top plan view thereof; and,  
FIG. 9 is a bottom plan view thereof.

**1 Claim, 9 Drawing Sheets**

(56) **References Cited**  
U.S. PATENT DOCUMENTS  
D316,461 S \* 4/1991 McGlothlin ..... D26/139  
D318,537 S \* 7/1991 Allman ..... D26/139



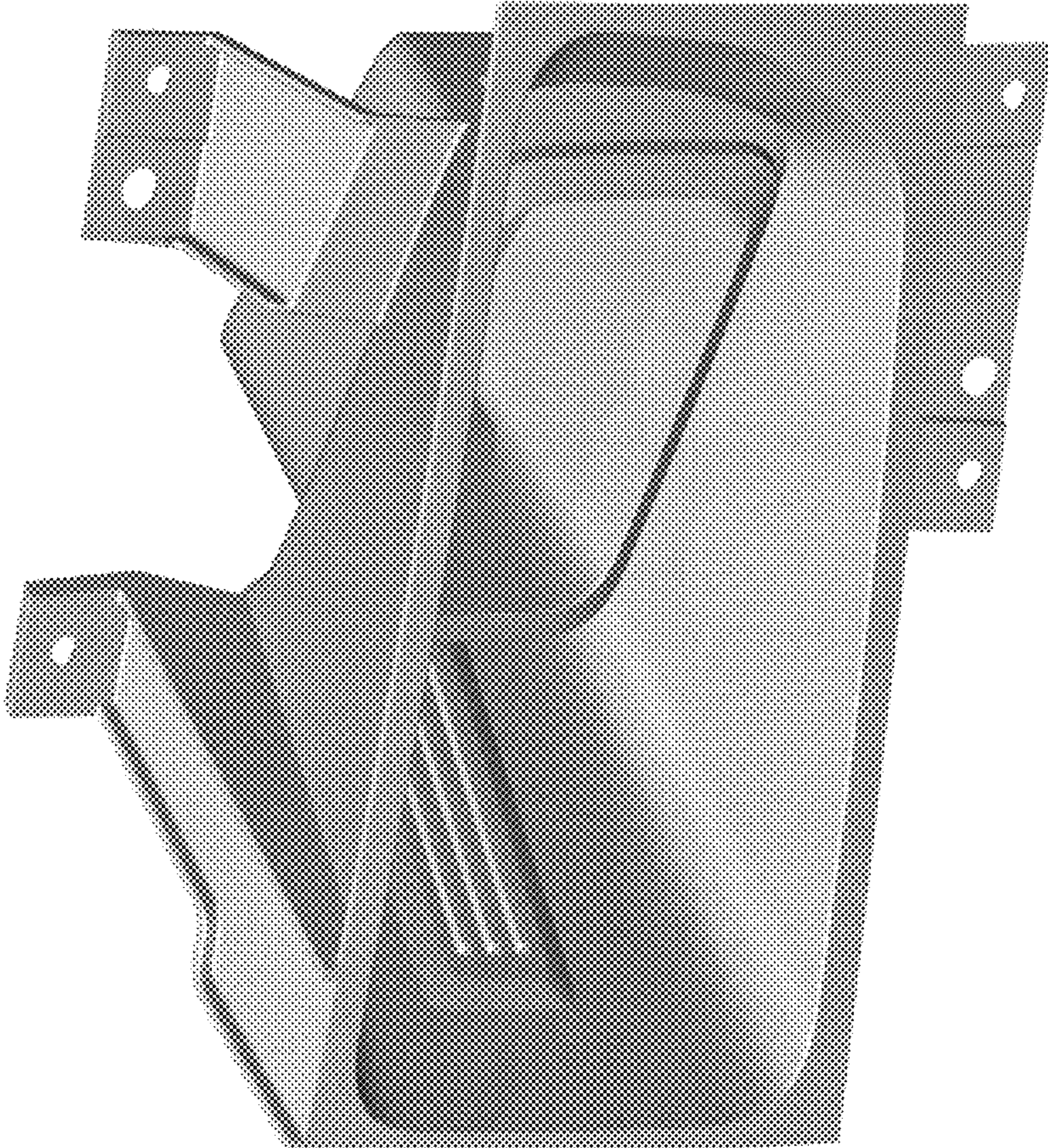
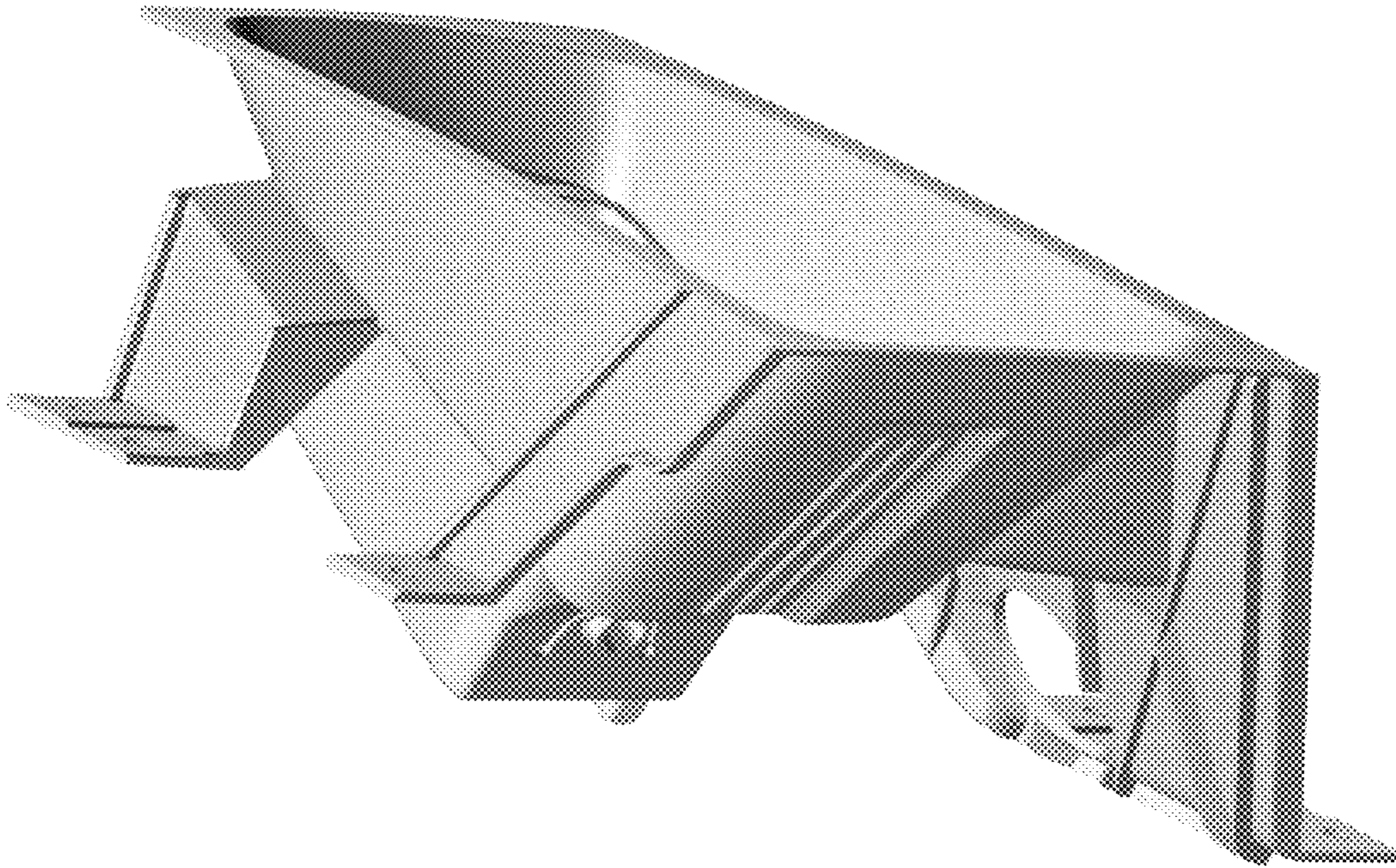


Figure 1

Figure 2



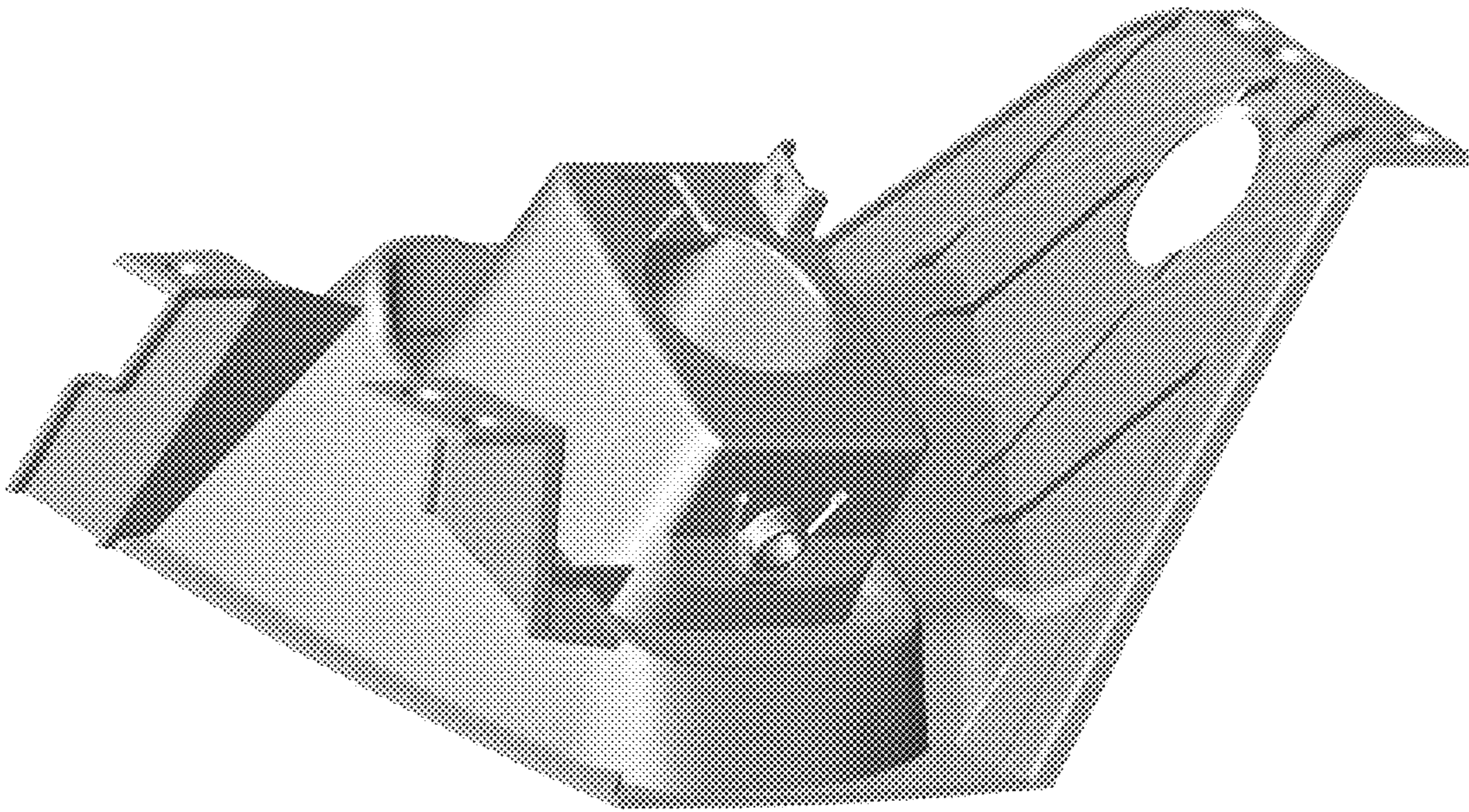
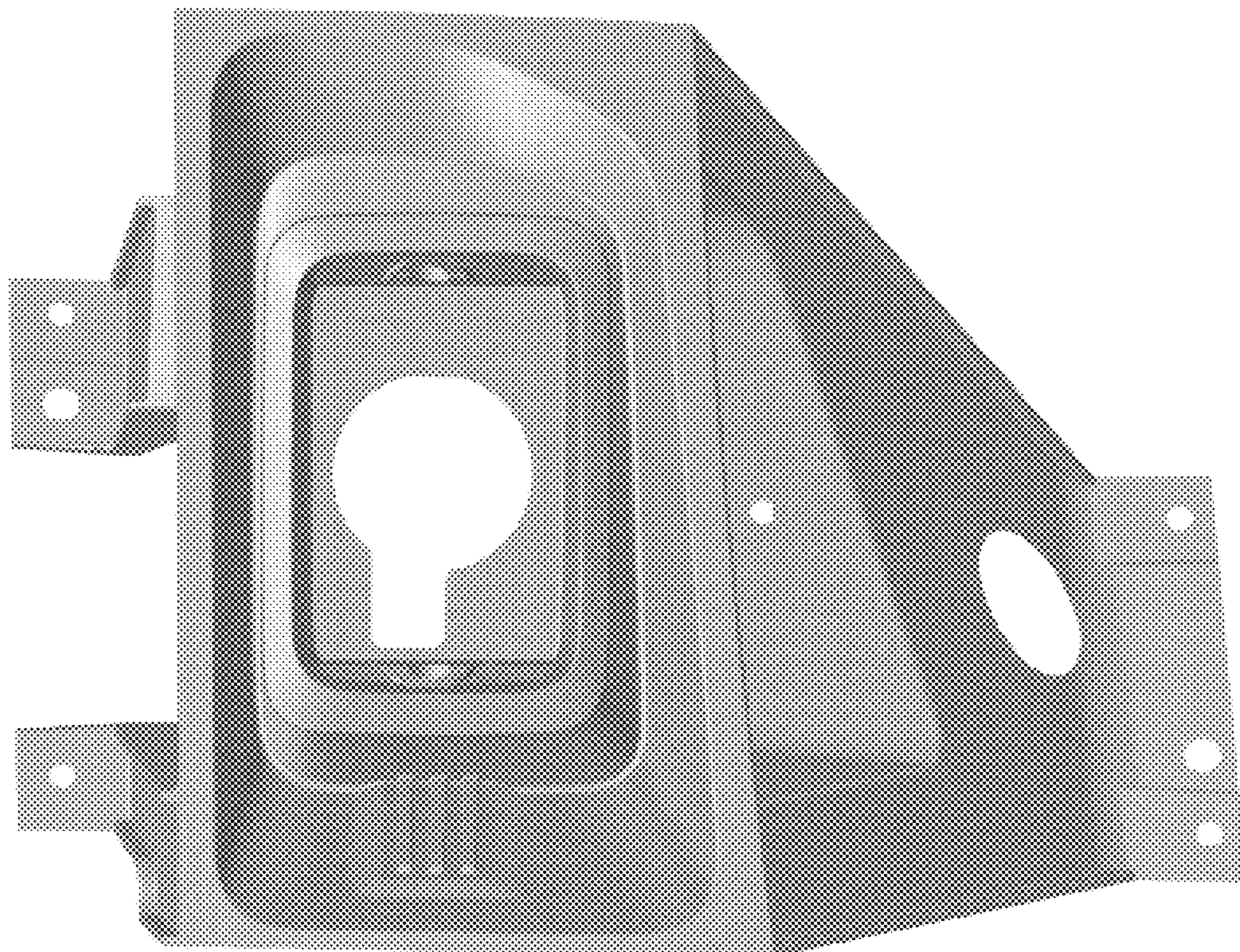


Figure 3

Figure 4



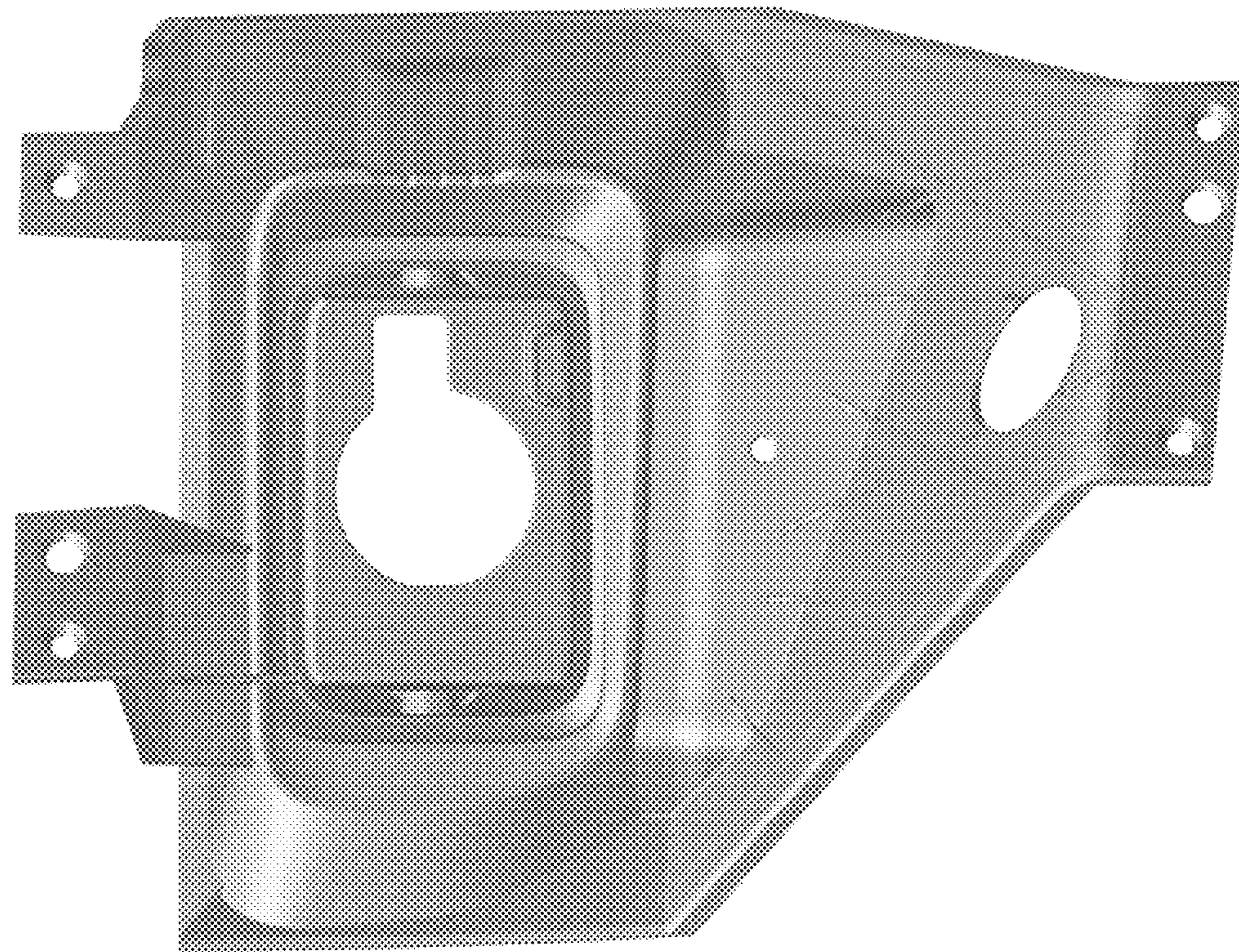


Figure 5

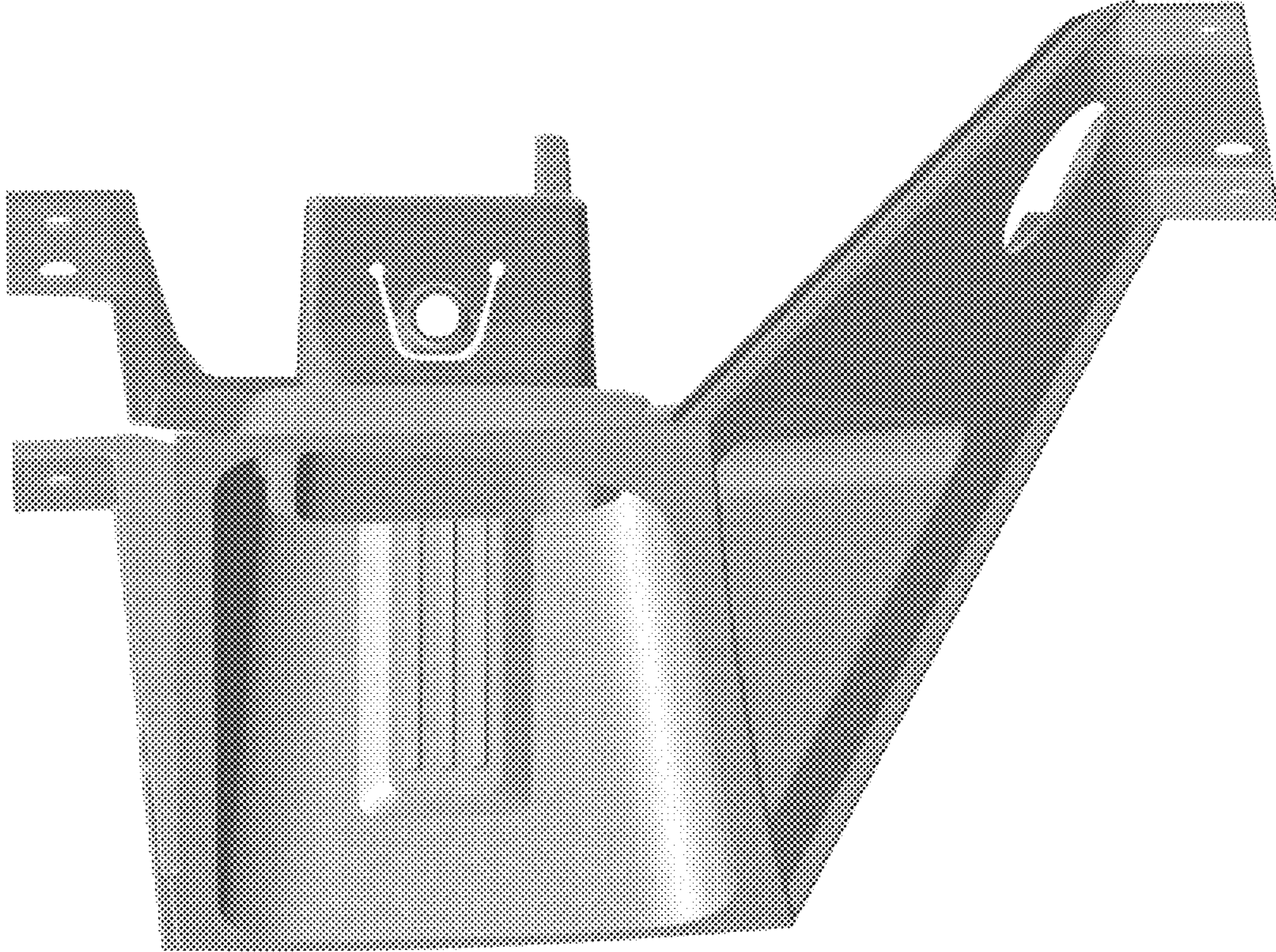
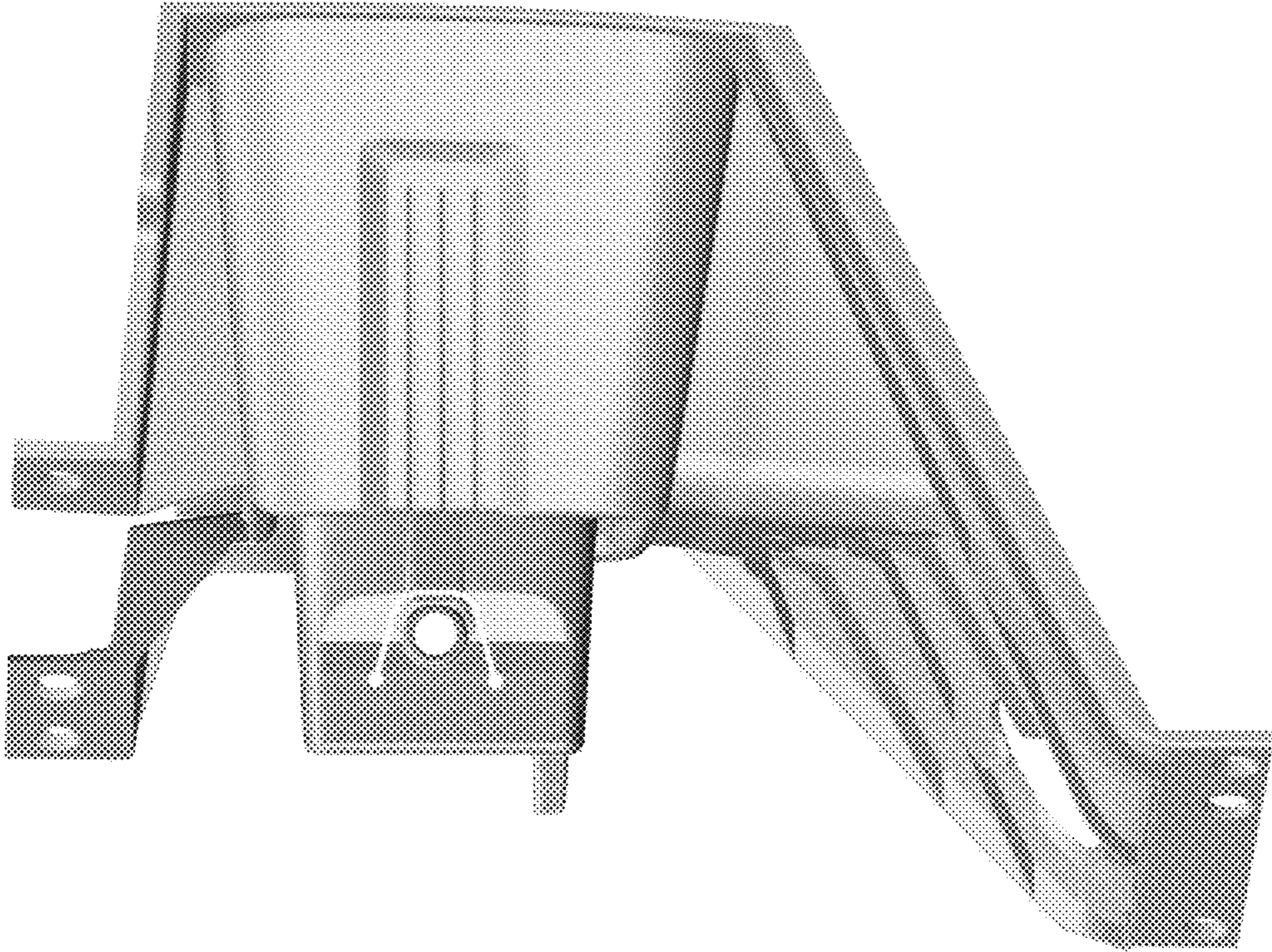


Figure 6

Figure 7





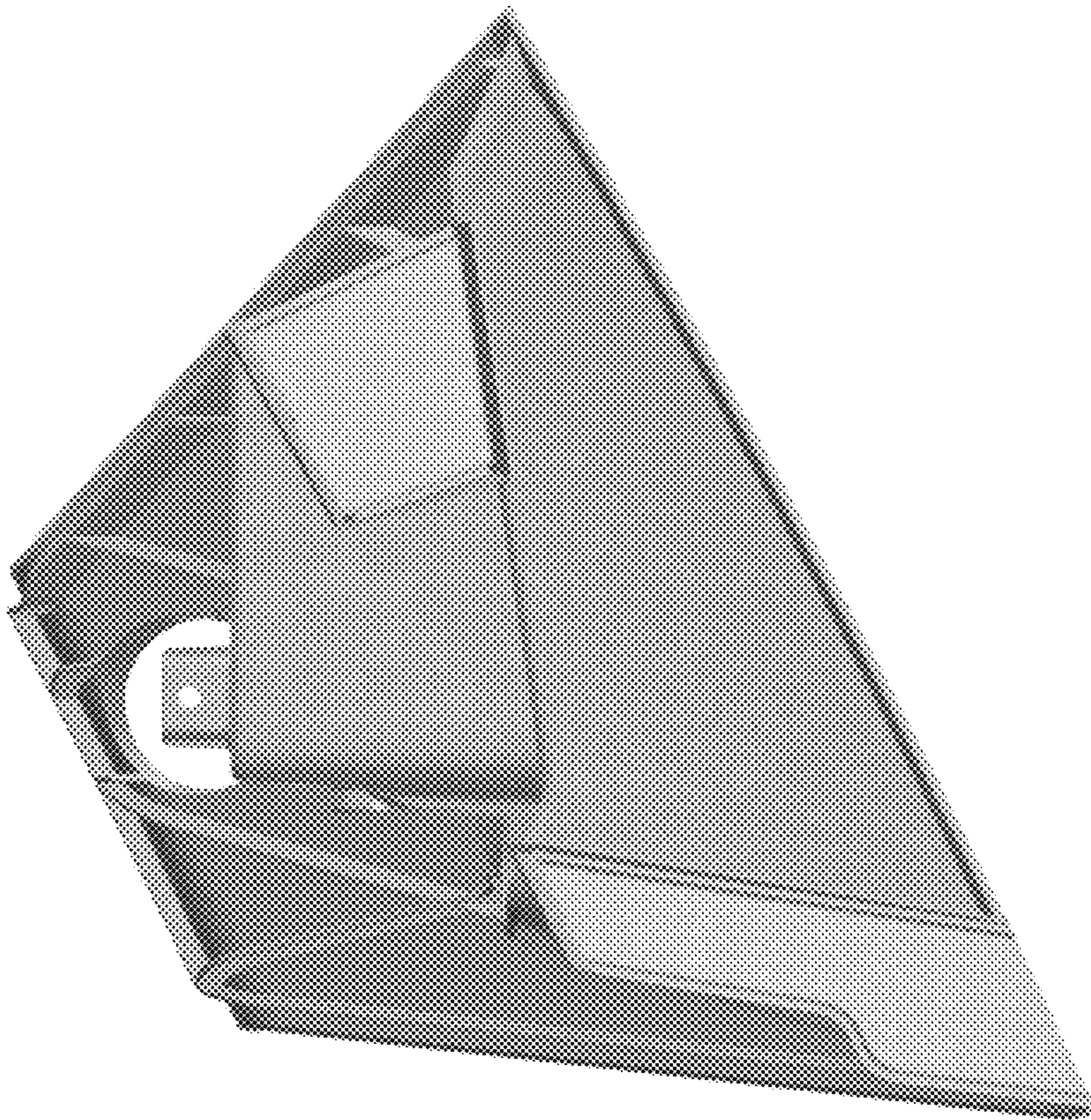


Figure 8



Figure 9