



US00D770083S

(12) **United States Design Patent**
Clark et al.

(10) **Patent No.:** **US D770,083 S**
(45) **Date of Patent:** **** Oct. 25, 2016**

(54) **RECESSED LIGHT FIXTURE COVER**

D605,342 S * 12/2009 Chung D26/118
D672,079 S * 12/2012 Kong D26/74
D707,873 S * 6/2014 Boyer D26/74

(71) Applicant: **Finelite INC.**, Union City, CA (US)

* cited by examiner

(72) Inventors: **Walter Blue Clark**, Palo Alto, CA (US); **David Daoud Aziz**, Hayward, CA (US); **My Tien Nguyen**, Redwood City, CA (US); **Aaron Matthew Smith**, Fremont, CA (US); **Arlan Santos**, Milpitas, CA (US)

Primary Examiner — Brian N Vinson
(74) *Attorney, Agent, or Firm* — James A. Gavney, Jr.; JAG Patent Services

(73) Assignee: **FINELITE INC.**, Union City, CA (US)

(57) **CLAIM**

We claim the ornamental design for a recessed light fixture cover, as shown and described.

(**) Term: **15 Years**

DESCRIPTION

(21) Appl. No.: **29/505,361**

FIG. 1 is a view of a recessed light fixture cover showing my new design;

(22) Filed: **Sep. 28, 2015**

FIG. 2 is a top view of the recessed light fixture cover thereof;

(51) **LOC (10) Cl.** **26-05**

FIG. 3 is a right side view of the recessed light fixture cover thereof;

(52) **U.S. Cl.**
USPC **D26/120**

FIG. 4 is a bottom view of the recessed light fixture cover thereof;

(58) **Field of Classification Search**
USPC D26/74, 24, 72, 75, 76, 78, 79, 81, 82, D26/88, 89, 91, 113, 118, 119, 120, 138, D26/141, 142
CPC F21S 8/02; F21S 8/026; F21Y 2111/002; F21V 7/005; F21V 21/041; F21V 21/04
See application file for complete search history.

FIG. 5 is a left side view of the recessed light fixture cover thereof;

FIG. 6 is a front view of the recessed light fixture cover thereof;

FIG. 7 is a back view of the recessed light fixture cover thereof; and,

FIG. 8 is a view of the recessed light fixture cover suspended from a ceiling.

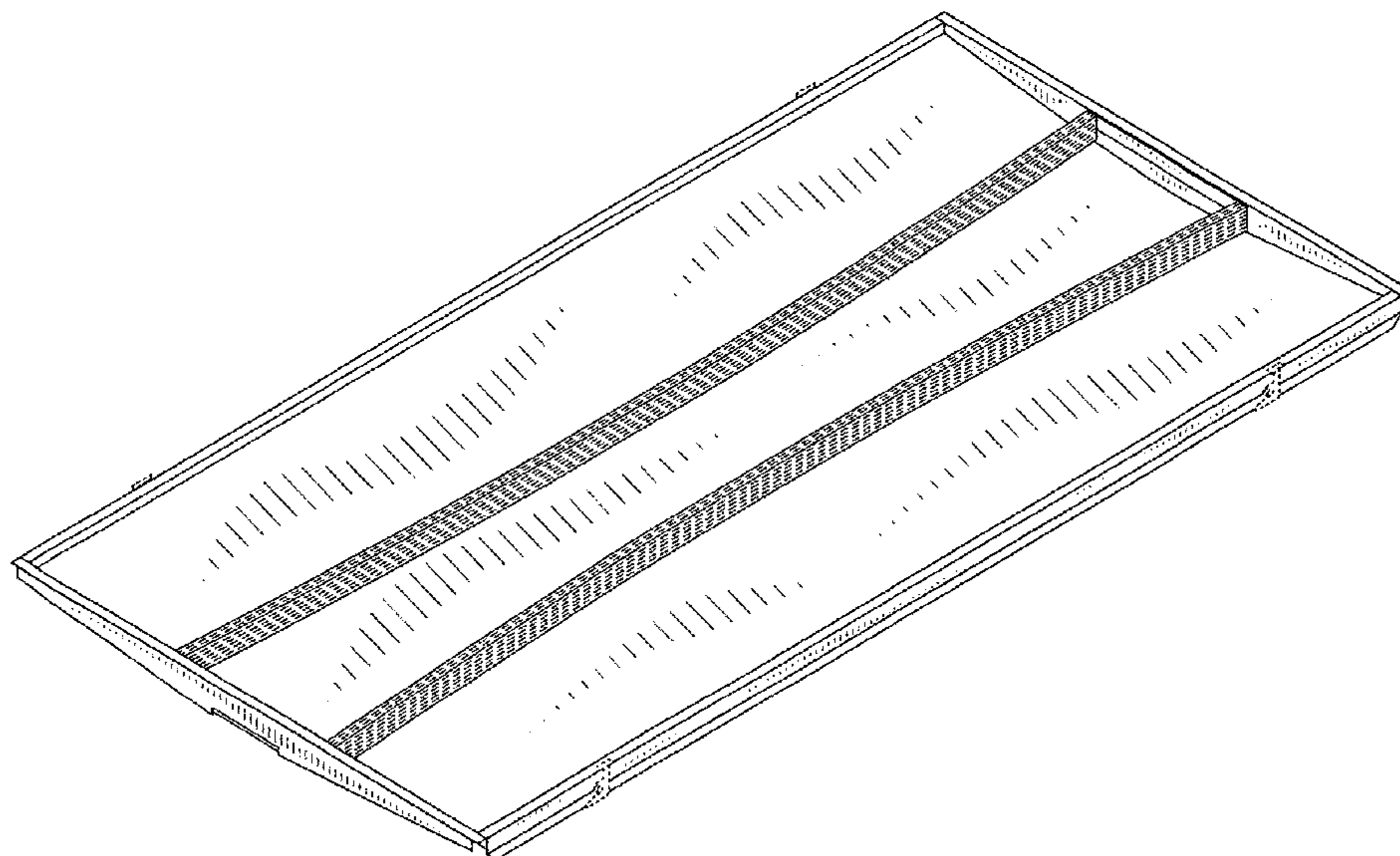
The broken lines shown in FIGS. 1-7 represent portions of the cover which form no part of the claimed design, and in FIG. 8 the claimed design is shown in use with multiple lights installed in a ceiling which represent environment forming no part of the claimed design.

(56) **References Cited**

U.S. PATENT DOCUMENTS

D407,473 S * 3/1999 Wimbock D23/328
5,988,836 A * 11/1999 Swarens F21S 8/02
362/217.06
6,523,974 B2 * 2/2003 Engel F21S 8/04
362/147

1 Claim, 5 Drawing Sheets



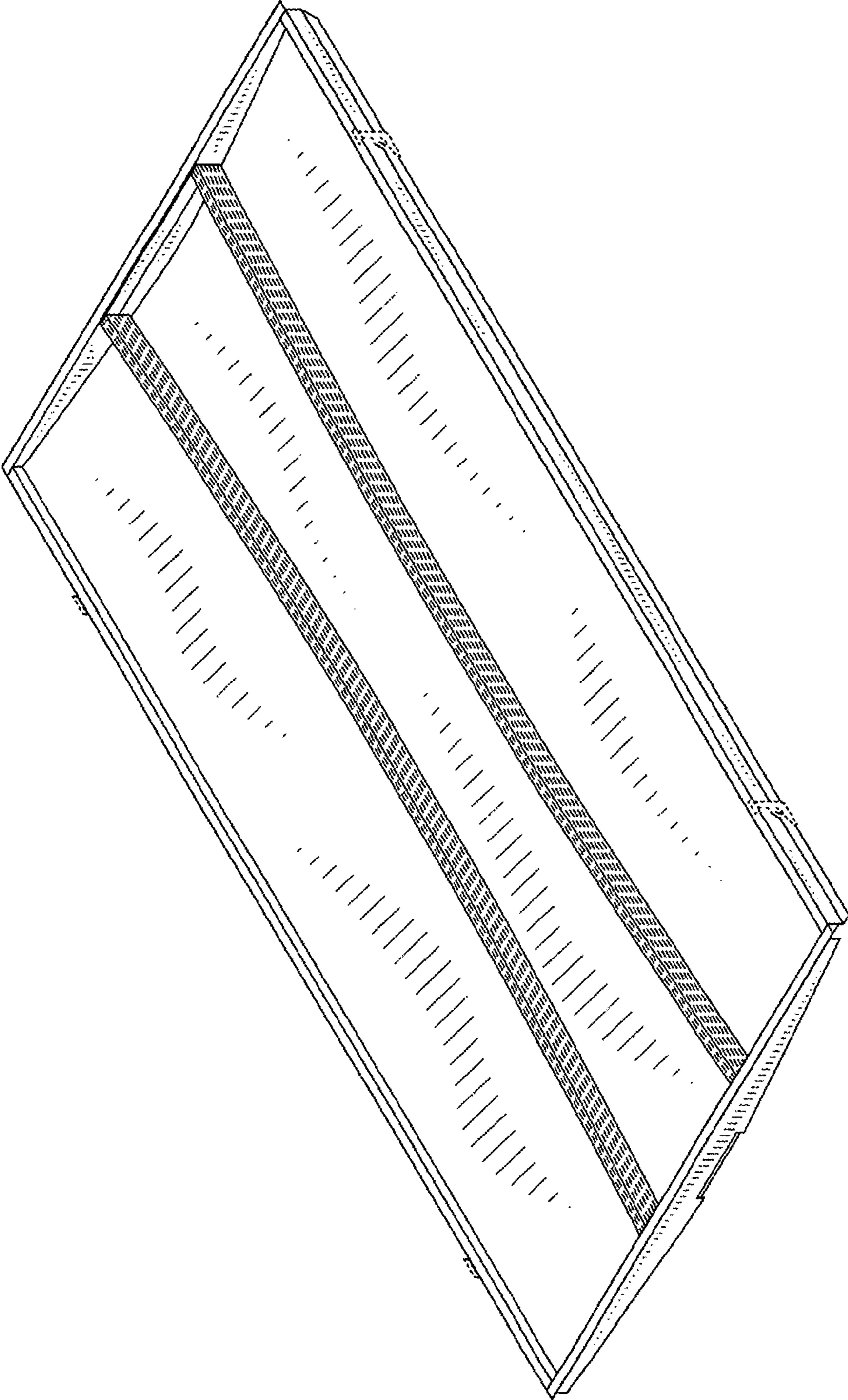


FIG. 1

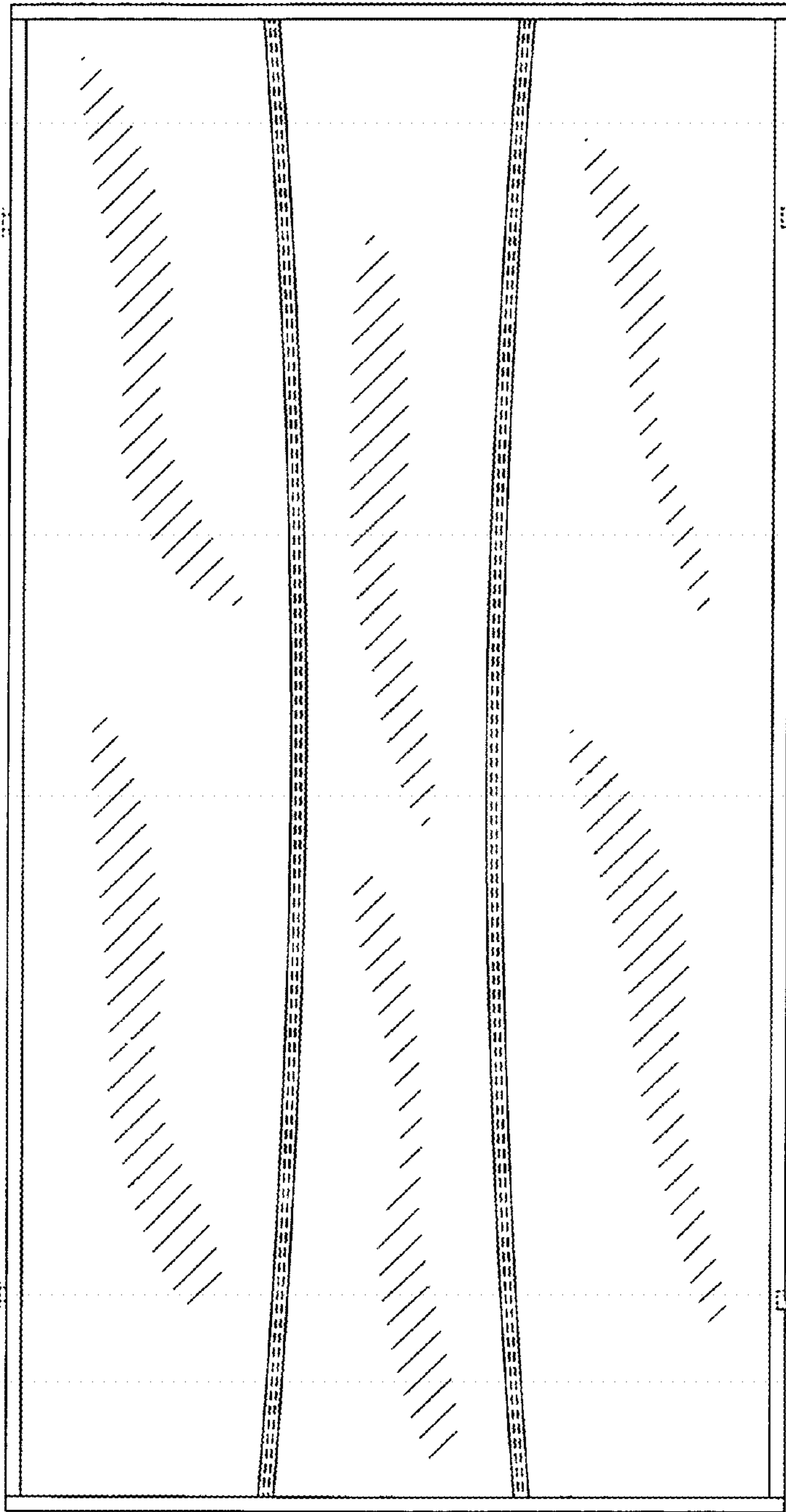


FIG. 2

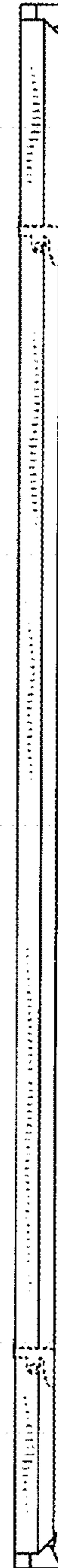


FIG. 3

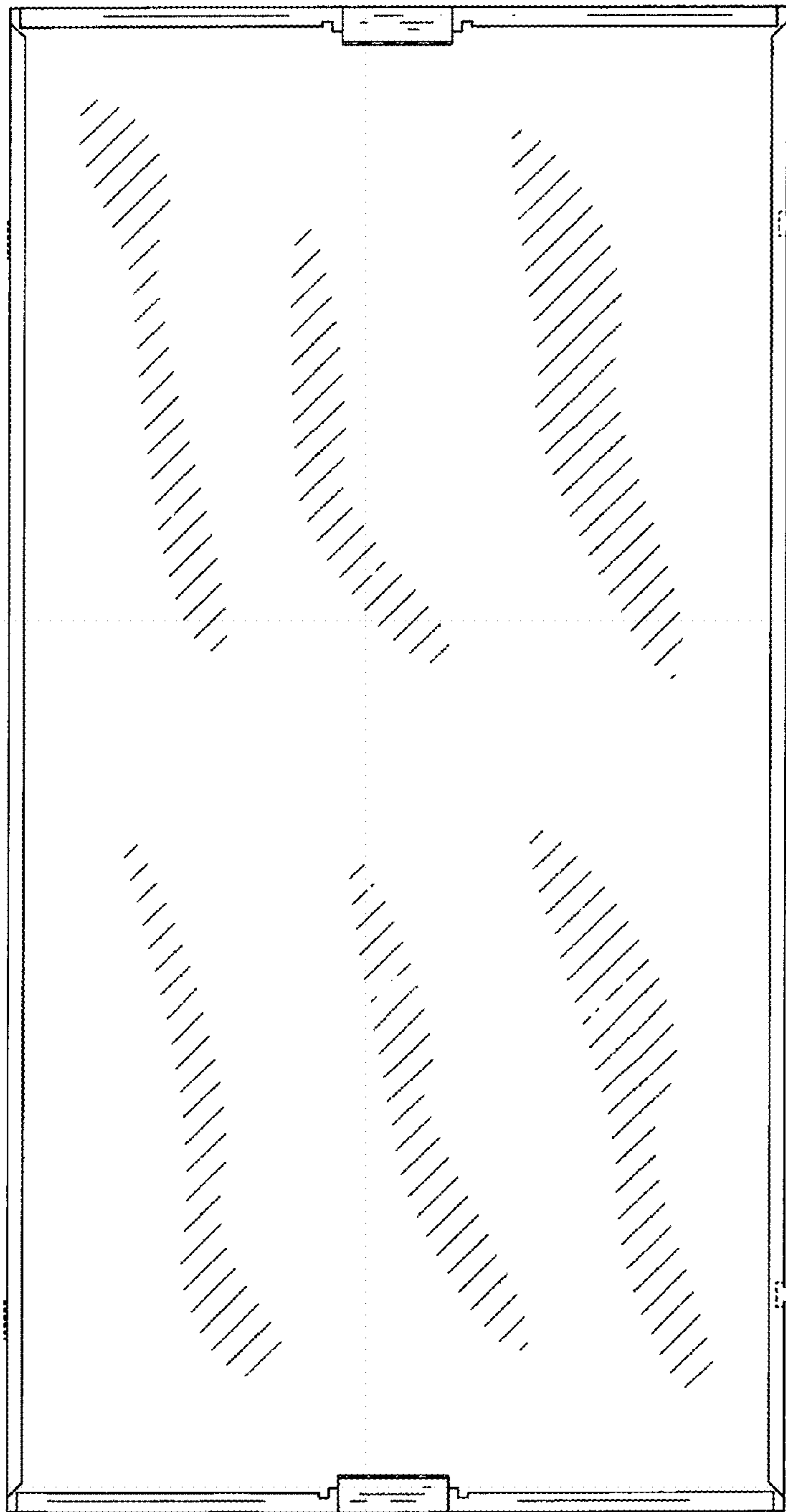


FIG. 4

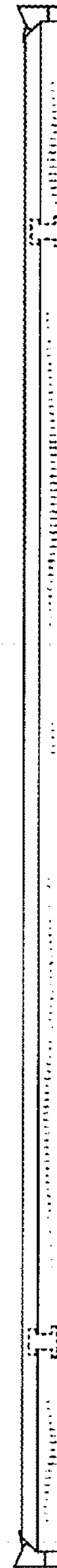


FIG. 5

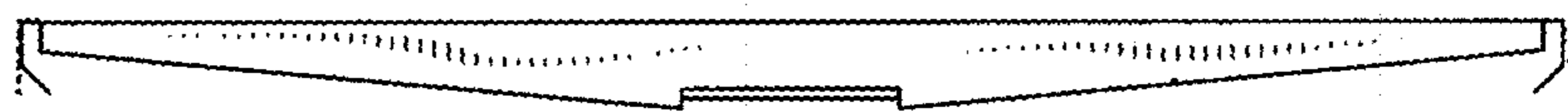


FIG. 6

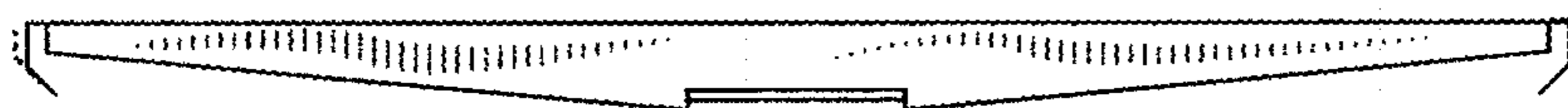


FIG. 7

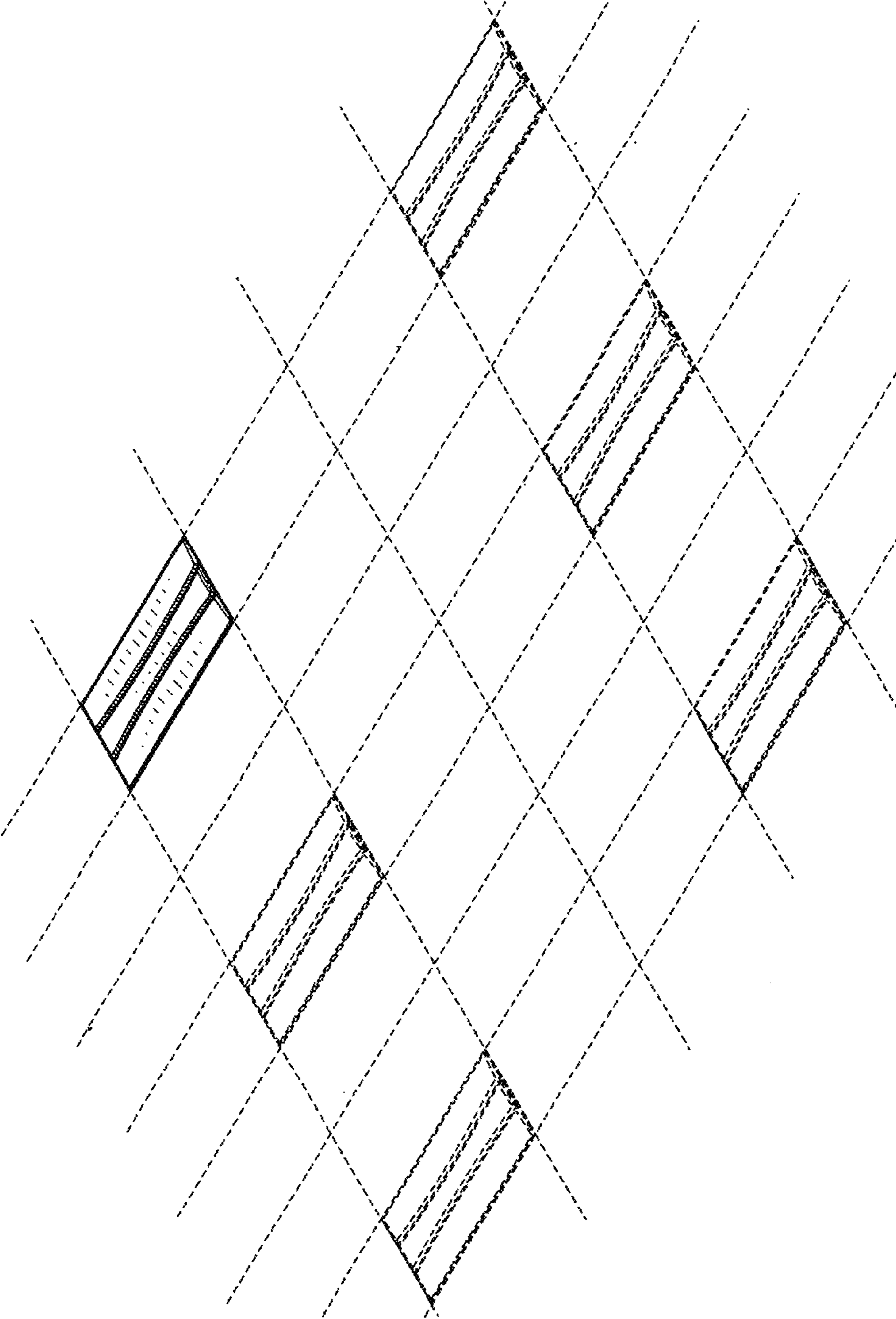


FIG. 8