



US00D770082S

(12) **United States Design Patent**
Reynolds

(10) **Patent No.:** **US D770,082 S**
(45) **Date of Patent:** **** Oct. 25, 2016**

- (54) **HORTICULTURE GROW LIGHT**
- (71) Applicant: **IP Holdings, LLC**, Vancouver, WA (US)
- (72) Inventor: **Christopher Reynolds**, Vancouver, WA (US)
- (73) Assignee: **IP Holdings, LLC**, Vancouver, WA (US)
- (**) Term: **15 Years**

4,028,542 A	6/1977	McReynolds, Jr.
D259,738 S	6/1981	Boschetti
D266,578 S	10/1982	Moshier
4,446,506 A	5/1984	Larson
4,855,884 A	8/1989	Richardson
D311,597 S	10/1990	Poot
5,199,784 A	4/1993	Hempleman
D342,273 S	12/1993	Couch
5,440,470 A	8/1995	Ly
D373,132 S	8/1996	Baillie-Hamilton
D389,270 S	1/1998	Malmsten
D394,124 S	5/1998	Mackert
D400,289 S	10/1998	Wardenburg
5,938,317 A	8/1999	Thornton

(Continued)

- (21) Appl. No.: **29/538,396**
- (22) Filed: **Sep. 3, 2015**
- (51) **LOC (10) Cl.** **29-99**
- (52) **U.S. Cl.**
USPC **D26/118**
- (58) **Field of Classification Search**
USPC D26/9, 10, 12, 13, 15, 16, 24, 51, 61,
D26/72, 76, 80, 81, 85, 86, 88, 90, 113, 118,
D26/119, 120, 122, 128, 129, 138, 143, 144
CPC B60Q 1/04; B60Q 1/26; F21S 8/026;
F21S 8/04; F21V 29/004; F21V 21/02;
F21V 21/04; F21V 29/2212; F21V 7/22;
F21V 29/83; F21V 37/002; F21V 7/00;
F21L 19/00; F23D 11/443; F21Y 2101/02;
A61L 9/037
See application file for complete search history.

Primary Examiner — Brian N Vinson
(74) *Attorney, Agent, or Firm* — J. Douglas Wells

(57) **CLAIM**
The ornamental design for a horticulture grow light, as shown and described.

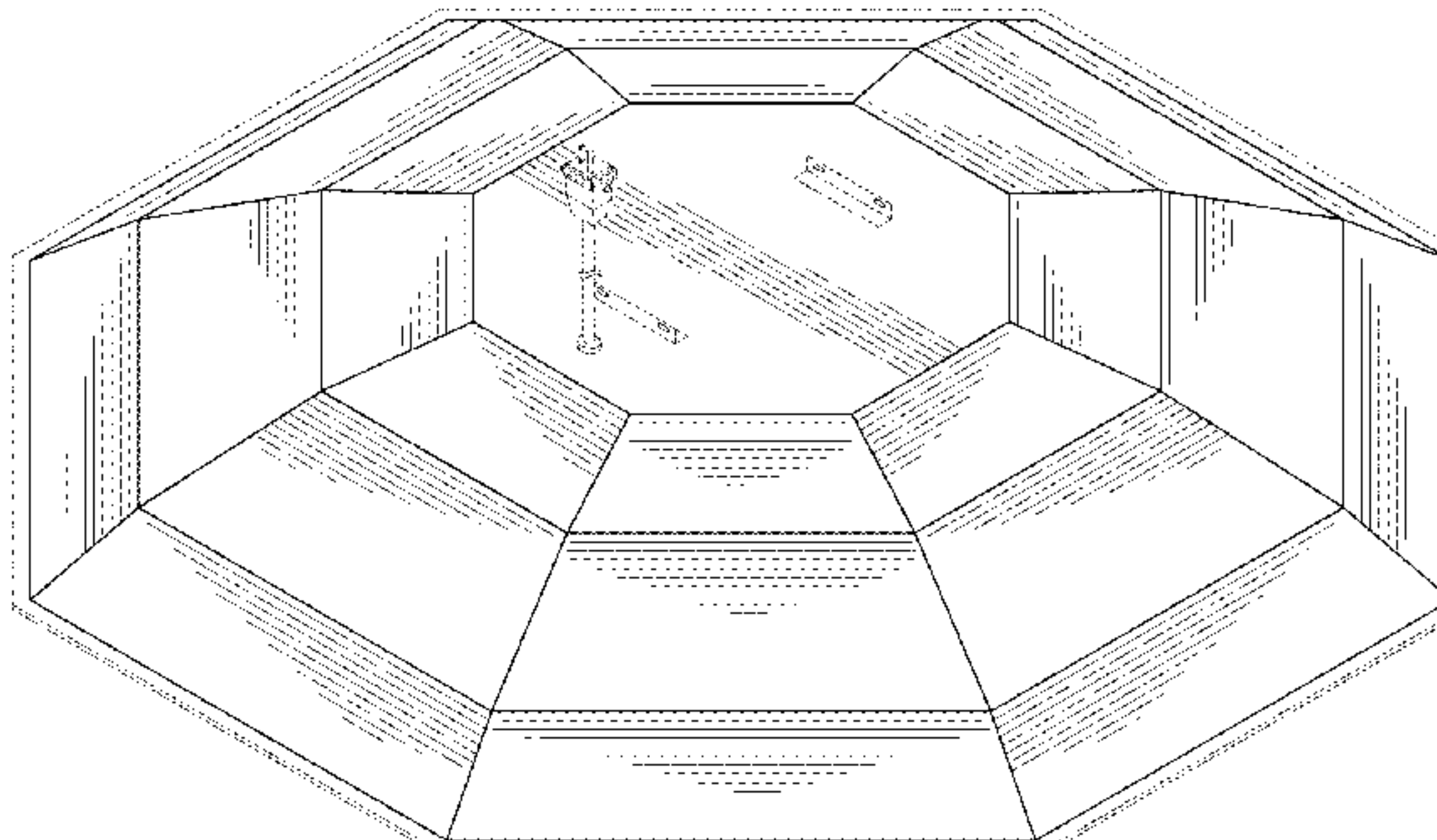
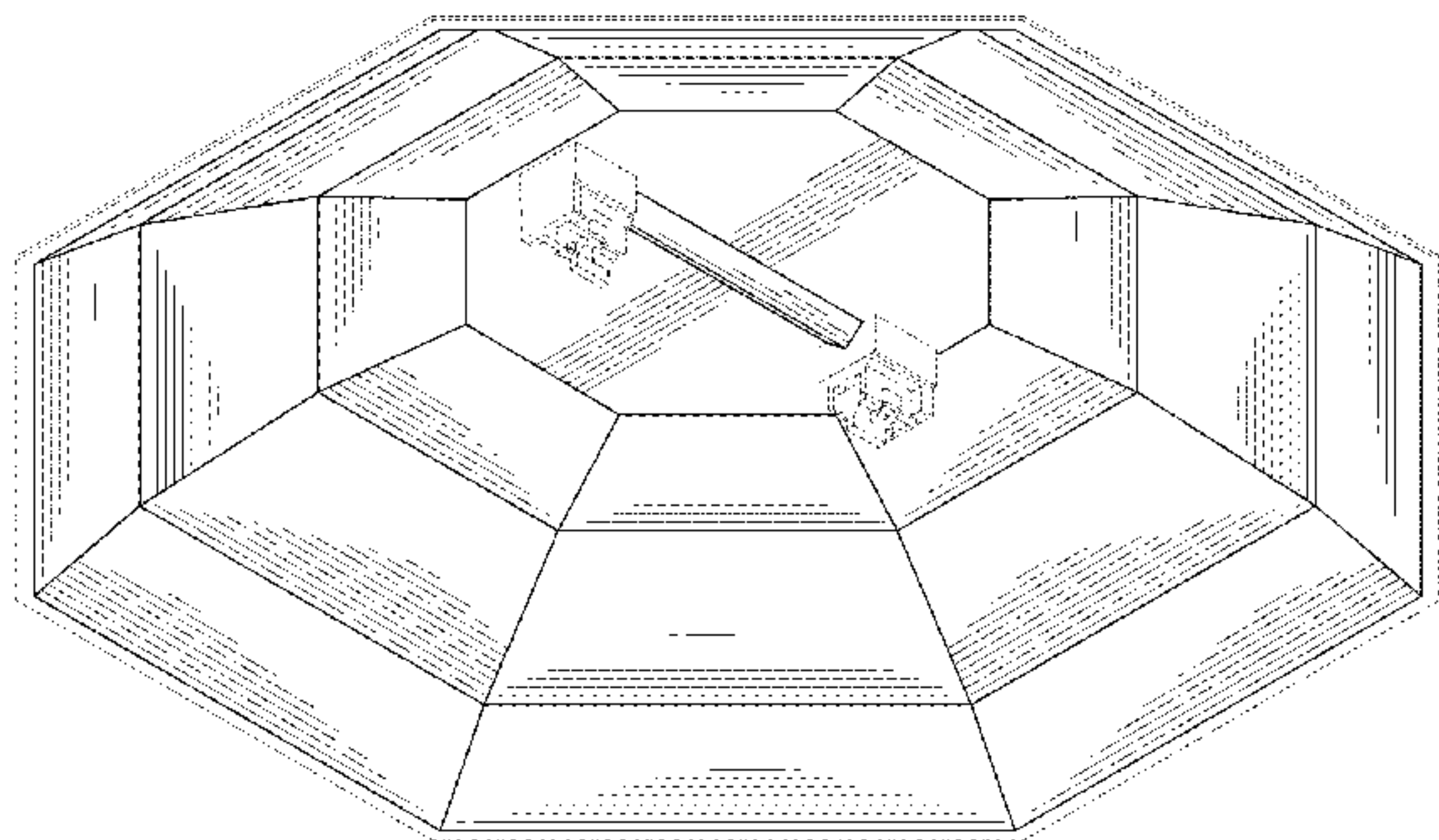
DESCRIPTION

FIG. 1 is a perspective view of a horticulture grow light, as viewed from below, showing my new design;
FIG. 2 is a perspective view of the light shown in FIG. 1, as viewed from above;
FIG. 3 is a left side view of the light shown in FIG. 1;
FIG. 4 is a right side view of the light shown in FIG. 1;
FIG. 5 is a front elevation view of the light shown in FIG. 1;
FIG. 6 is a rear elevation view of the light shown in FIG. 1;
FIG. 7 is a bottom plan view of the light shown in FIG. 1; and,
FIG. 8 is a top plan view of the light shown in FIG. 1.
The broken-line disclosure shown in the views is understood to represent portions of the article in which the claimed design is embodied, but which form no part of the claimed design.

(56) **References Cited**
U.S. PATENT DOCUMENTS

32,722 A	7/1861	Schmidlin
1,547,026 A	7/1925	Canney
1,873,310 A	8/1932	Doane
D123,768 S	12/1940	Scribner
2,242,590 A	5/1941	Marcel
D213,391 S	2/1969	Bruno

1 Claim, 5 Drawing Sheets



(56)

References Cited

U.S. PATENT DOCUMENTS

6,024,468 A 2/2000 Kassay
 D422,737 S 4/2000 Orozco
 D428,516 S * 7/2000 Reo D26/118
 6,152,579 A 11/2000 Reed
 D447,272 S * 8/2001 Smith D26/118
 D456,938 S * 5/2002 Wardenburg D26/118
 6,595,662 B2 7/2003 Wardenburg
 6,908,212 B2 6/2005 Schultz
 D543,652 S * 5/2007 Hargreaves D26/118
 D544,987 S 6/2007 Hargreaves
 D544,995 S * 6/2007 Hargreaves D26/118
 D545,484 S * 6/2007 Hargreaves D26/118
 D545,485 S * 6/2007 Hargreaves D26/118
 D545,994 S 7/2007 Hargreaves
 D614,801 S * 4/2010 Collins D26/118

D634,060 S * 3/2011 Wardenburg D26/118
 D634,469 S * 3/2011 Hargreaves D26/118
 D675,369 S * 1/2013 Michaud D26/118
 D693,959 S * 11/2013 Boyer D26/118
 D698,986 S * 2/2014 Reynolds D26/118
 8,905,575 B2 * 12/2014 Durkee F21V 7/0008
 362/218
 D731,701 S * 6/2015 Hargreaves D26/118
 D732,235 S * 6/2015 Reynolds D26/118
 D732,236 S * 6/2015 Reynolds D26/118
 D736,450 S * 8/2015 Reynolds D26/118
 D740,486 S * 10/2015 Stanley D26/118
 D747,029 S * 1/2016 Reynolds D26/118
 D748,849 S * 2/2016 Stanley D26/118
 D750,316 S * 2/2016 Reynolds D26/118
 D751,244 S * 3/2016 Reynolds D26/118
 D751,247 S * 3/2016 Reynolds D26/118
 2002/0141195 A1 10/2002 Wardenburg

* cited by examiner

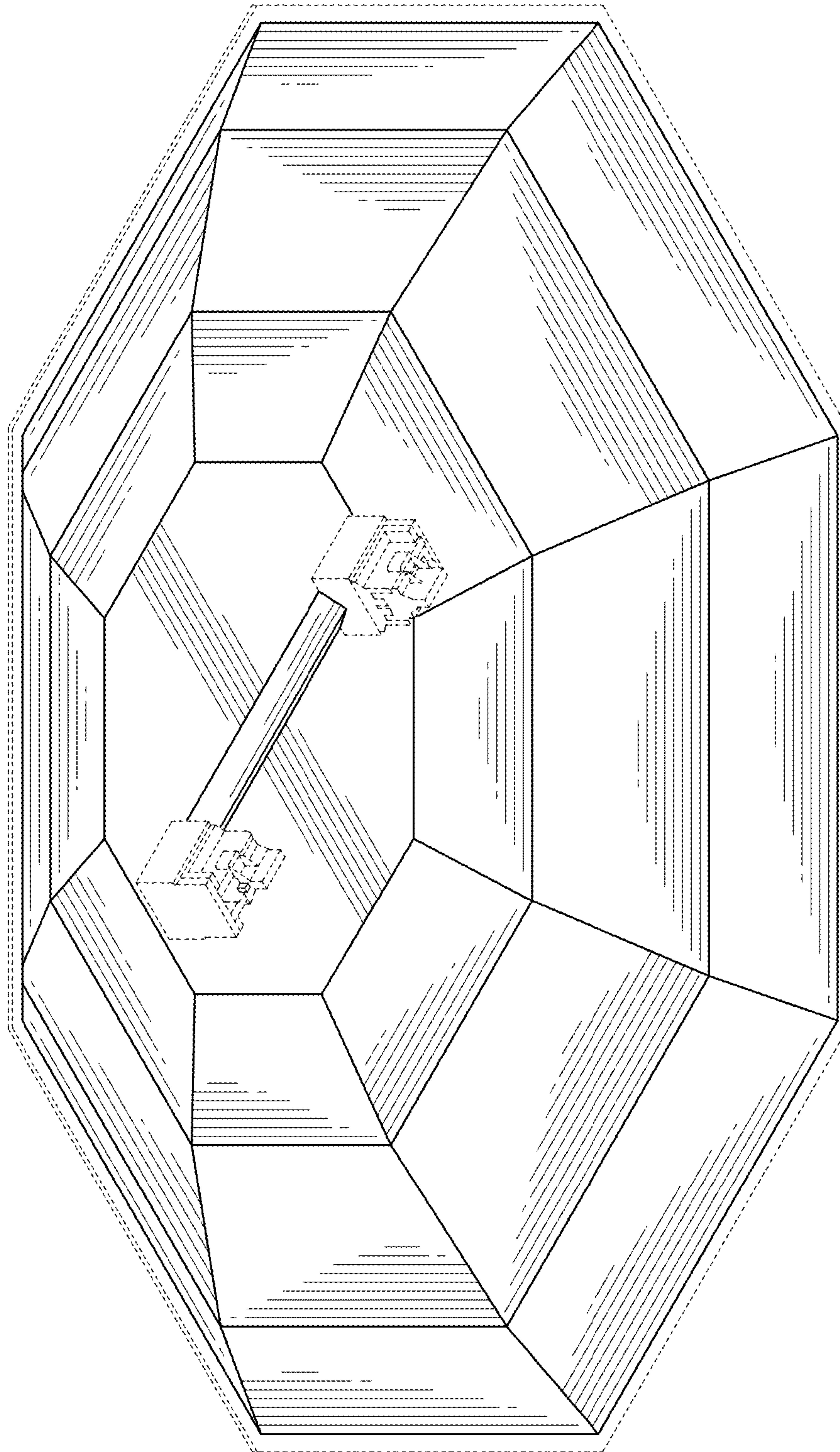


FIG. 1

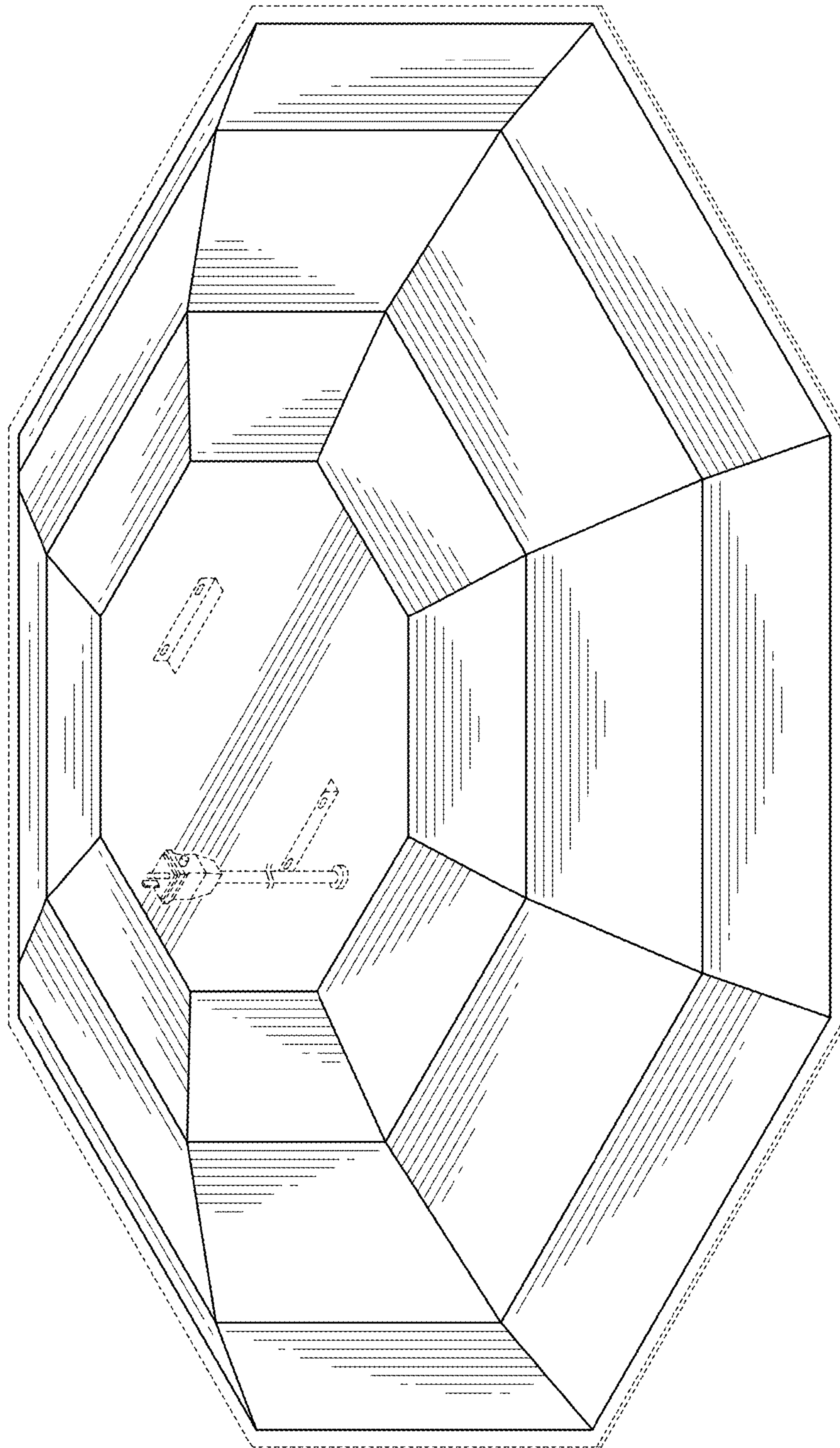


FIG. 2

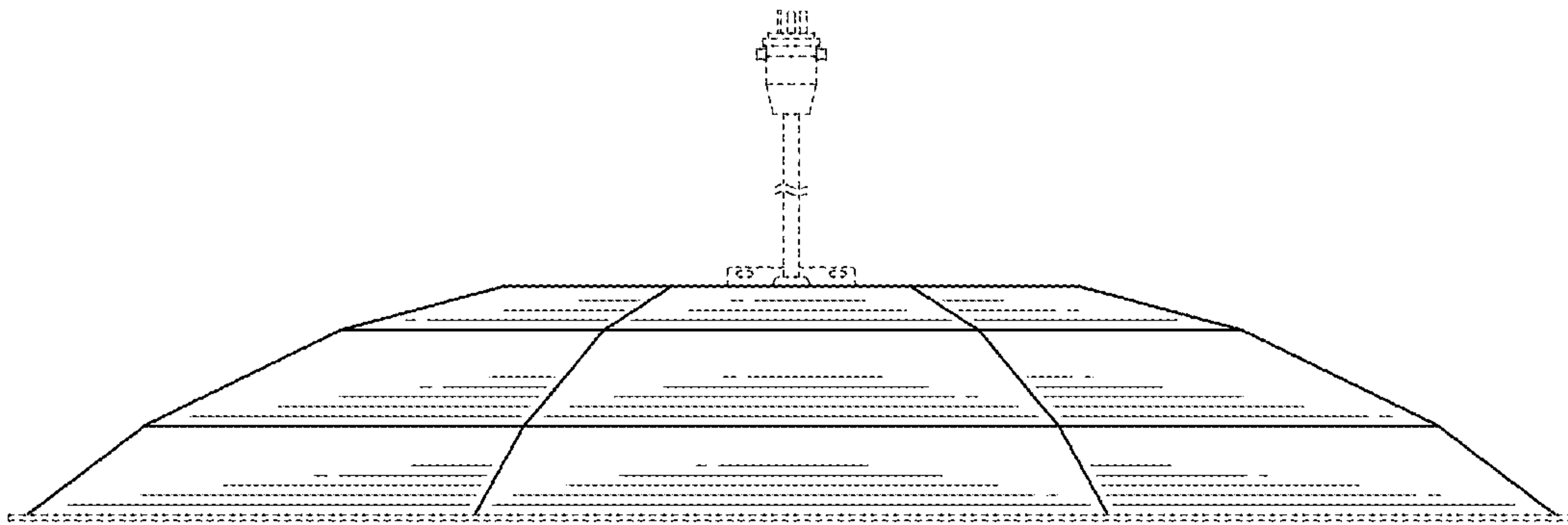


FIG. 3

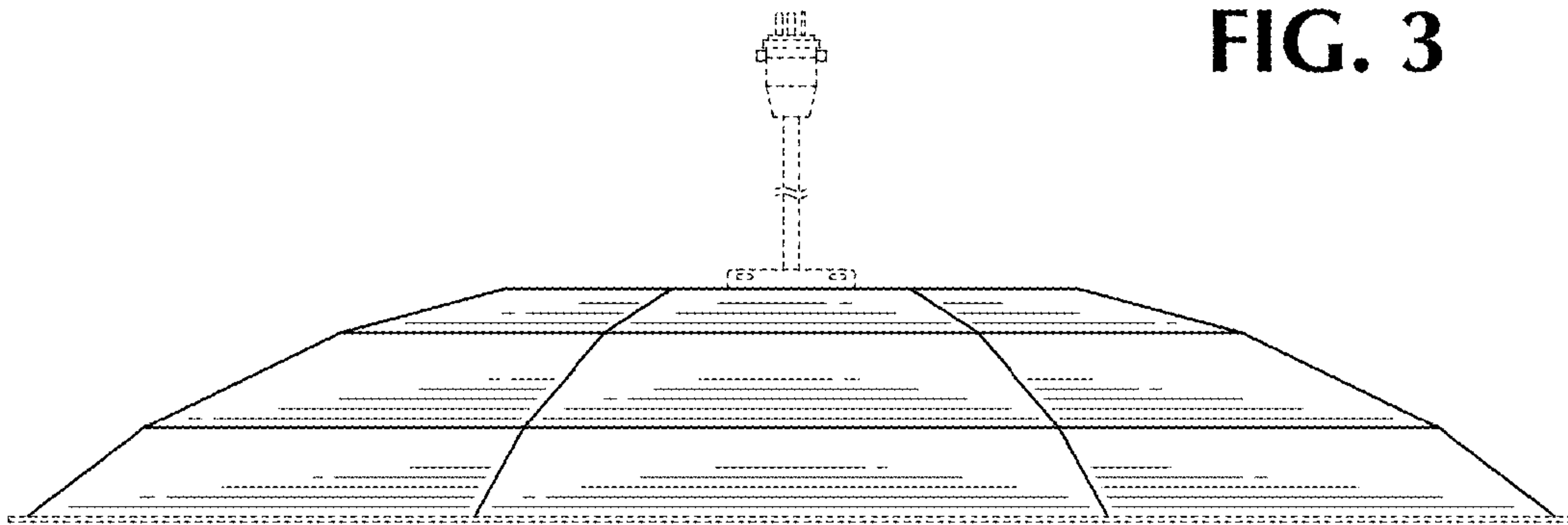


FIG. 4

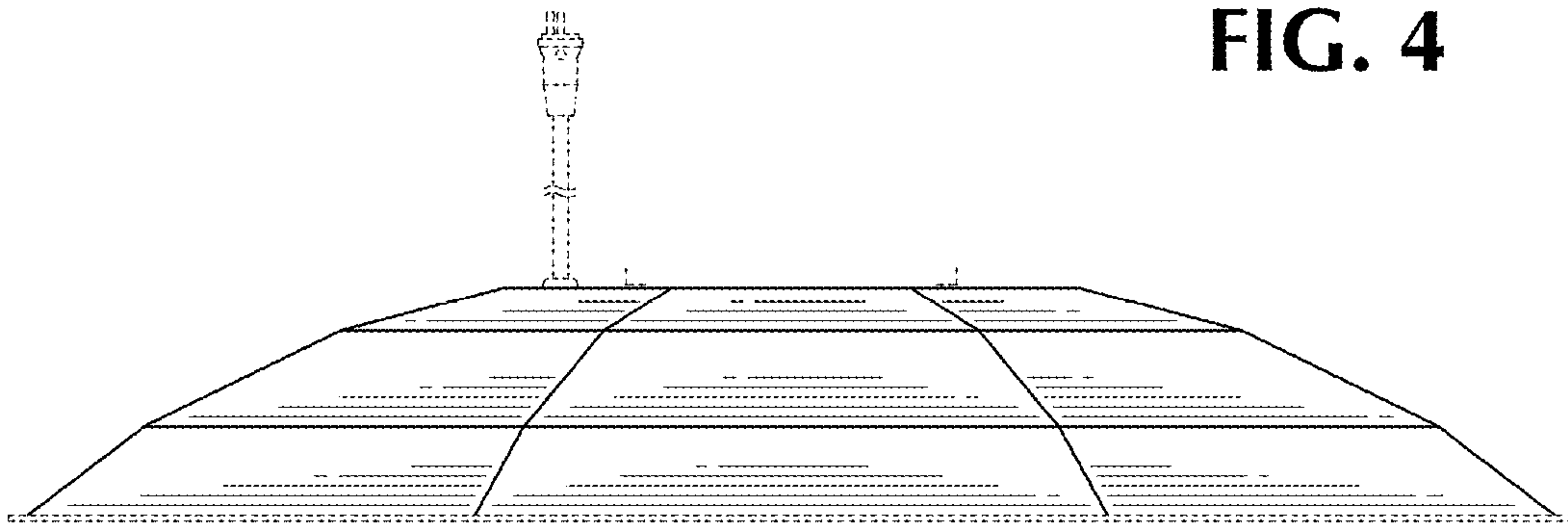


FIG. 5

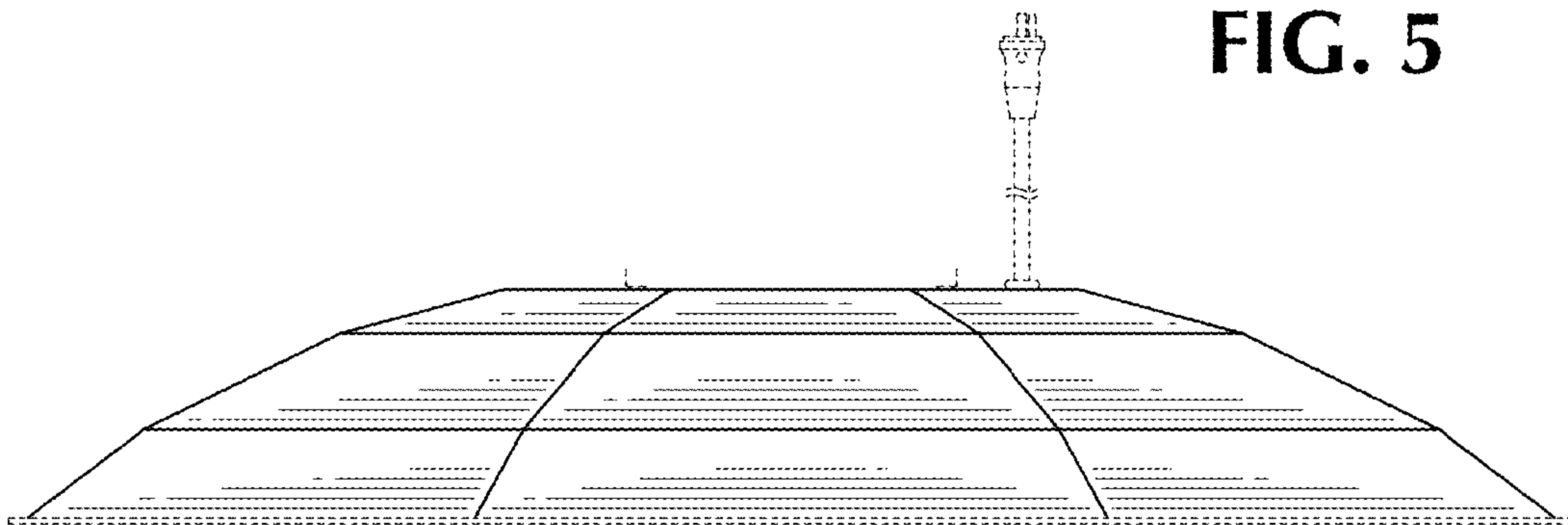


FIG. 6

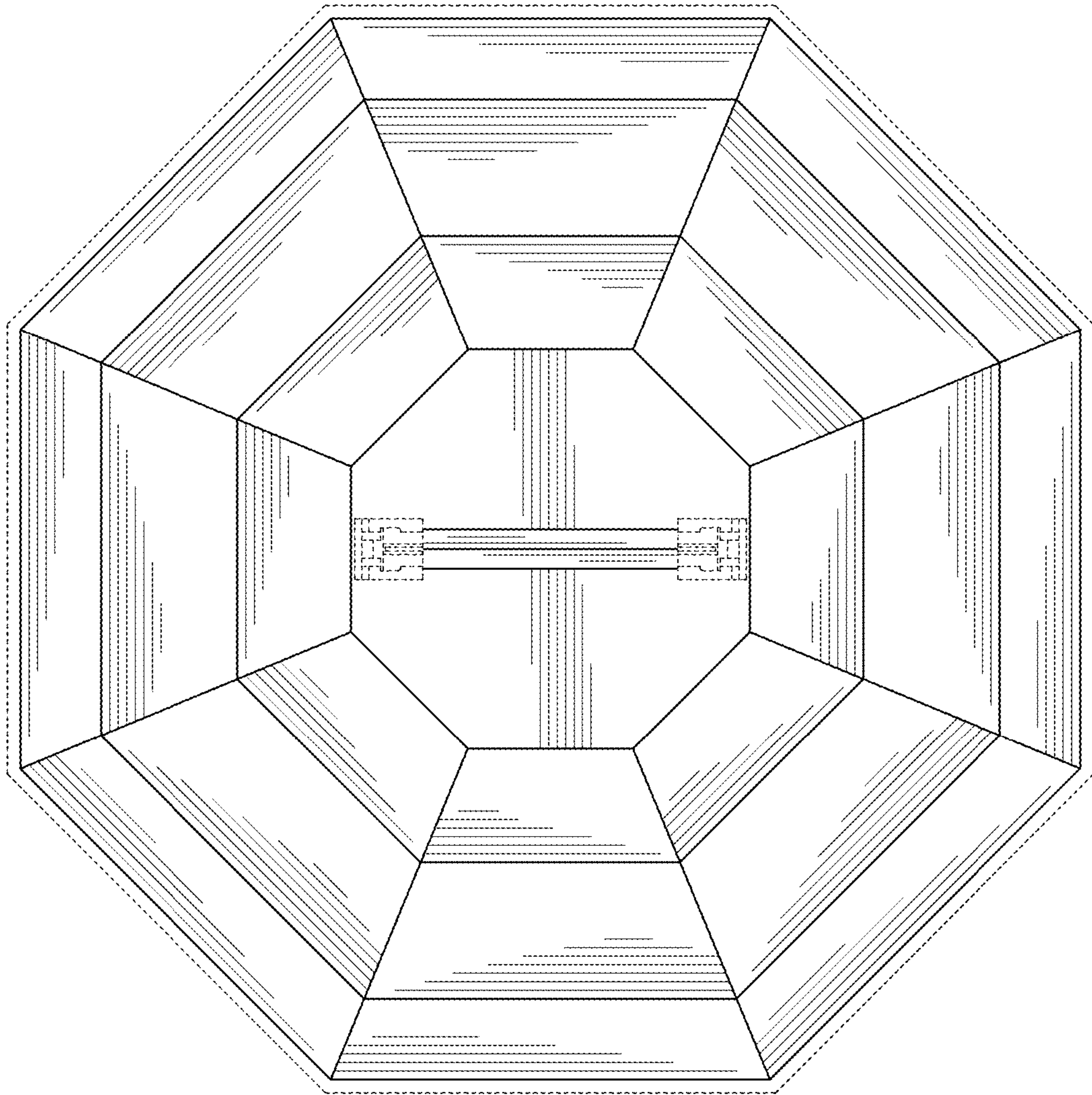


FIG. 7

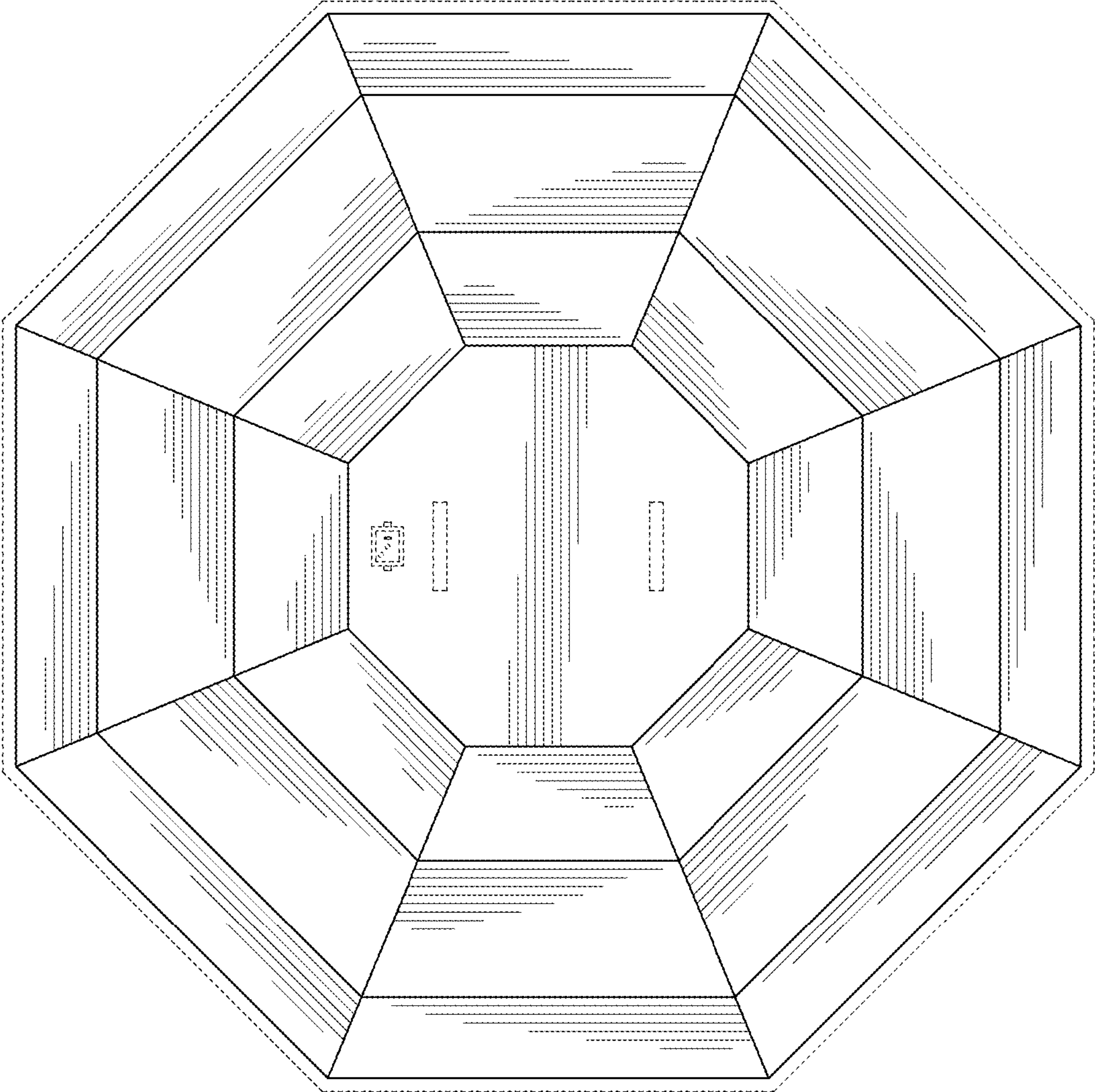


FIG. 8