



US00D770081S

(12) **United States Design Patent**  
**Reynolds**

(10) **Patent No.:** **US D770,081 S**  
(45) **Date of Patent:** **\*\* Oct. 25, 2016**

- (54) **HORTICULTURE GROW LIGHT**
- (71) Applicant: **IP Holdings, LLC**, Vancouver, WA (US)
- (72) Inventor: **Christopher Reynolds**, Vancouver, WA (US)
- (73) Assignee: **IP Holdings, LLC**, Vancouver, WA (US)
- (\*\*) Term: **15 Years**
- (21) Appl. No.: **29/538,101**
- (22) Filed: **Sep. 1, 2015**
- (51) **LOC (10) Cl.** ..... **29-99**
- (52) **U.S. Cl.**  
USPC ..... **D26/118**
- (58) **Field of Classification Search**  
USPC ..... D26/9, 10, 12, 13, 15, 16, 24, 51, 61, D26/72, 76, 80, 81, 85, 86, 88, 90, 113, 118, D26/119, 120, 122, 128, 129, 138, 143, 144  
CPC ..... B60Q 1/04; B60Q 1/26; F21S 8/026; F21S 8/04; F21V 29/004; F21V 21/02; F21V 21/04; F21V 29/2212; F21V 7/22; F21V 29/83; F21V 37/002; F21V 7/00; F21L 19/00; F23D 11/443; F21Y 2101/02; A61L 9/037  
See application file for complete search history.

- 3,272,978 A 9/1966 Jackson
- 4,078,169 A 3/1978 Armstrong
- D259,738 S 6/1981 Boschetti
- 4,669,033 A 5/1987 Lee
- 4,814,954 A 3/1989 Spitz
- 4,933,821 A 6/1990 Anderson
- D311,597 S 10/1990 Poot
- 5,132,885 A 7/1992 Hocheim
- 5,192,129 A 3/1993 Figueroa
- 5,195,822 A 3/1993 Takahashi
- 5,440,470 A 8/1995 Ly
- 5,570,947 A 11/1996 Felland
- D376,437 S 12/1996 Karlo
- D383,243 S 9/1997 Fry
- D397,481 S 8/1998 Shafer
- D399,328 S 10/1998 Compton

(Continued)

*Primary Examiner* — Brian N Vinson

(74) *Attorney, Agent, or Firm* — J. Douglas Wells

(57) **CLAIM**

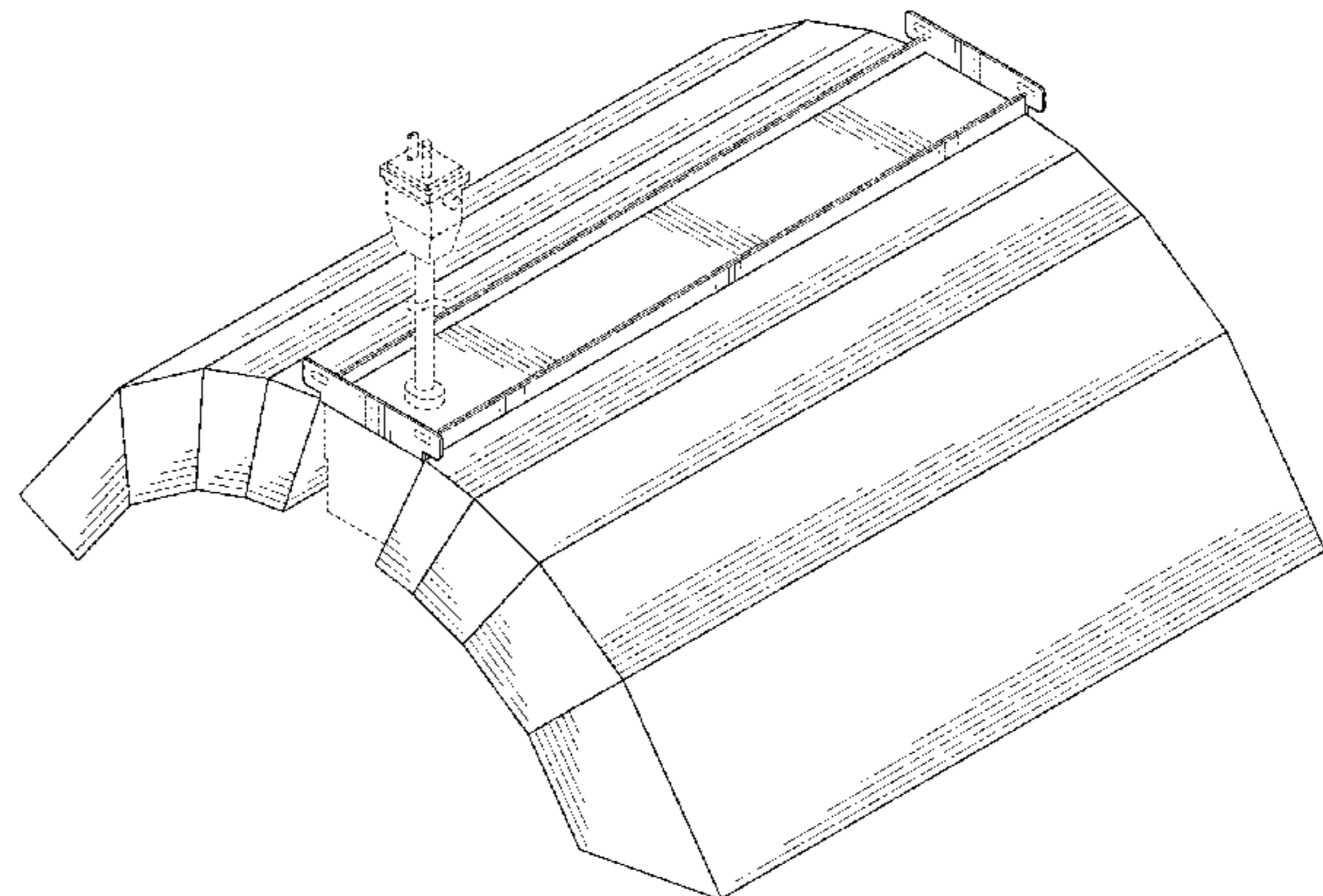
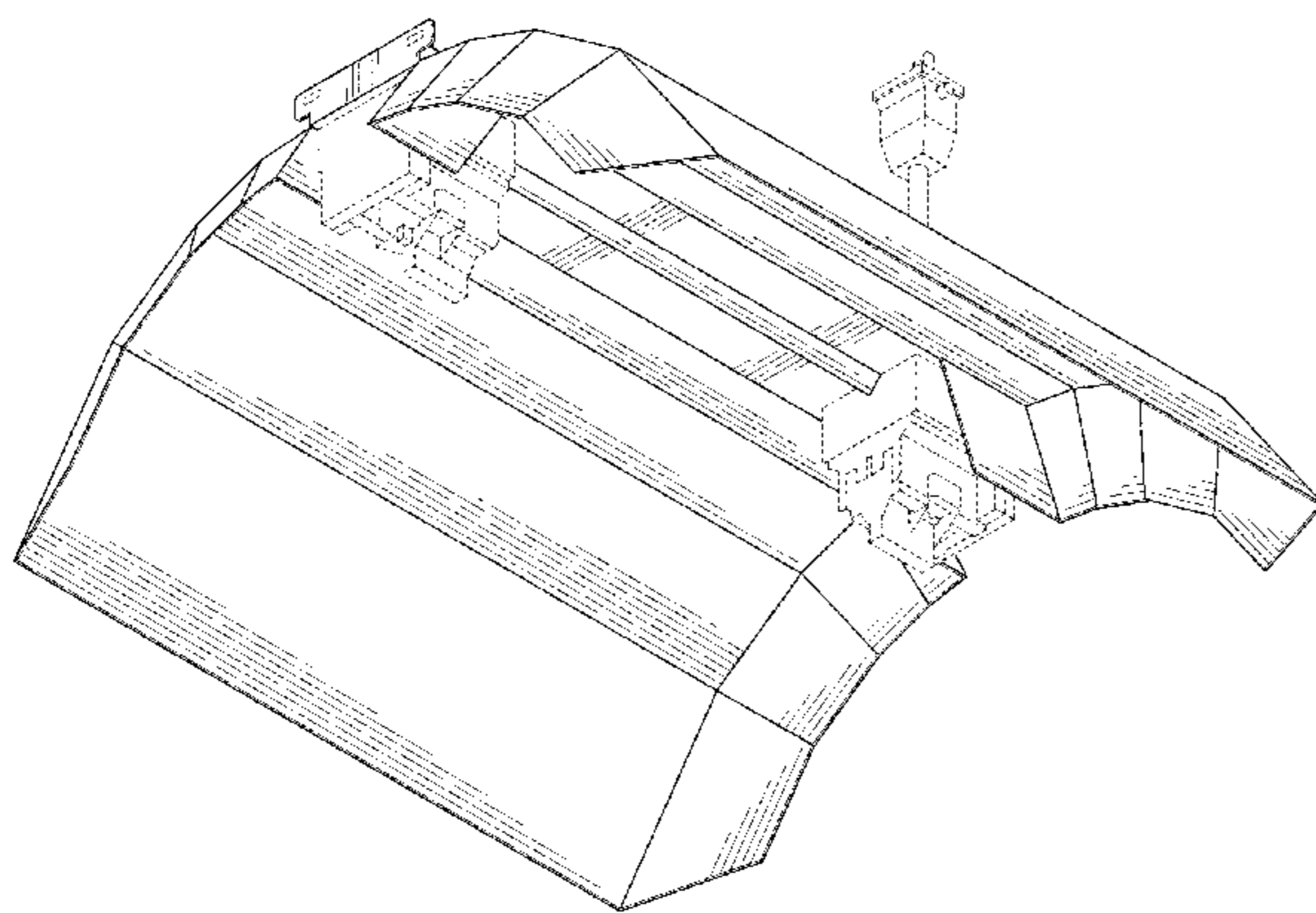
The ornamental design for a horticulture grow light, as shown and described.

**DESCRIPTION**

FIG. 1 is a perspective view of a horticulture grow light, as viewed from below, showing my new design;  
 FIG. 2 is a perspective view of the light shown in FIG. 1, as viewed from above;  
 FIG. 3 is a left side view of the light shown in FIG. 1;  
 FIG. 4 is a right side view of the light shown in FIG. 1;  
 FIG. 6 is a rear elevation view of the light shown in FIG. 1;  
 FIG. 7 is a bottom plan view of the light shown in FIG. 1;  
 and,  
 FIG. 8 is a top plan view of the light shown in FIG. 1.  
 The broken-line disclosure shown in the views is understood to represent portions of the article in which the claimed design is embodied, but which form no part of the claimed design.

**1 Claim, 6 Drawing Sheets**

- (56) **References Cited**  
U.S. PATENT DOCUMENTS
- D85,382 S 10/1931 Guth
- 2,194,841 A 3/1940 Welch
- D177,532 S 4/1956 Meyer
- 3,025,391 A 3/1962 Golko
- D193,802 S 10/1962 Thomsen
- 3,125,301 A 3/1964 Stotter



(56)

References Cited

U.S. PATENT DOCUMENTS

D400,289 S 10/1998 Wardenburg  
 D415,304 S 10/1999 Brown  
 D418,626 S 1/2000 Herst  
 6,024,468 A 2/2000 Kassay  
 6,042,250 A 3/2000 Stragnola  
 6,053,624 A 4/2000 Cronk  
 D425,237 S 5/2000 Scott  
 D428,516 S \* 7/2000 Reo ..... D26/118  
 6,231,209 B1 5/2001 Leibig  
 D445,943 S 7/2001 Littman  
 6,257,735 B1 7/2001 Baar  
 D447,272 S \* 8/2001 Smith ..... D26/118  
 D456,938 S \* 5/2002 Wardenburg ..... D26/118  
 D467,026 S 12/2002 Parker  
 6,659,628 B2 12/2003 Del Campo  
 6,908,212 B2 6/2005 Schultz  
 D543,652 S \* 5/2007 Hargreaves ..... D26/118  
 D544,136 S 6/2007 Hargreaves  
 D544,994 S 6/2007 Hargreaves  
 D544,995 S \* 6/2007 Hargreaves ..... D26/118

D545,484 S \* 6/2007 Hargreaves ..... D26/118  
 D545,485 S \* 6/2007 Hargreaves ..... D26/118  
 D545,996 S 7/2007 Hargreaves  
 D614,801 S \* 4/2010 Collins ..... D26/118  
 D634,060 S \* 3/2011 Wardenburg ..... D26/118  
 D634,469 S \* 3/2011 Hargreaves ..... D26/118  
 D675,369 S \* 1/2013 Michaud ..... D26/118  
 D693,959 S \* 11/2013 Boyer ..... D26/118  
 D698,986 S \* 2/2014 Reynolds ..... D26/118  
 8,905,575 B2 \* 12/2014 Durkee ..... F21V 7/0008  
 362/218  
 D731,701 S \* 6/2015 Hargreaves ..... D26/118  
 D732,235 S \* 6/2015 Reynolds ..... D26/118  
 D732,236 S \* 6/2015 Reynolds ..... D26/118  
 D736,450 S \* 8/2015 Reynolds ..... D26/118  
 D740,486 S \* 10/2015 Stanley ..... D26/118  
 D747,029 S \* 1/2016 Reynolds ..... D26/118  
 D748,849 S \* 2/2016 Stanley ..... D26/118  
 D750,316 S \* 2/2016 Reynolds ..... D26/118  
 D751,244 S \* 3/2016 Reynolds ..... D26/118  
 D751,247 S \* 3/2016 Reynolds ..... D26/118  
 2002/0141195 A1 10/2002 Wardenburg

\* cited by examiner

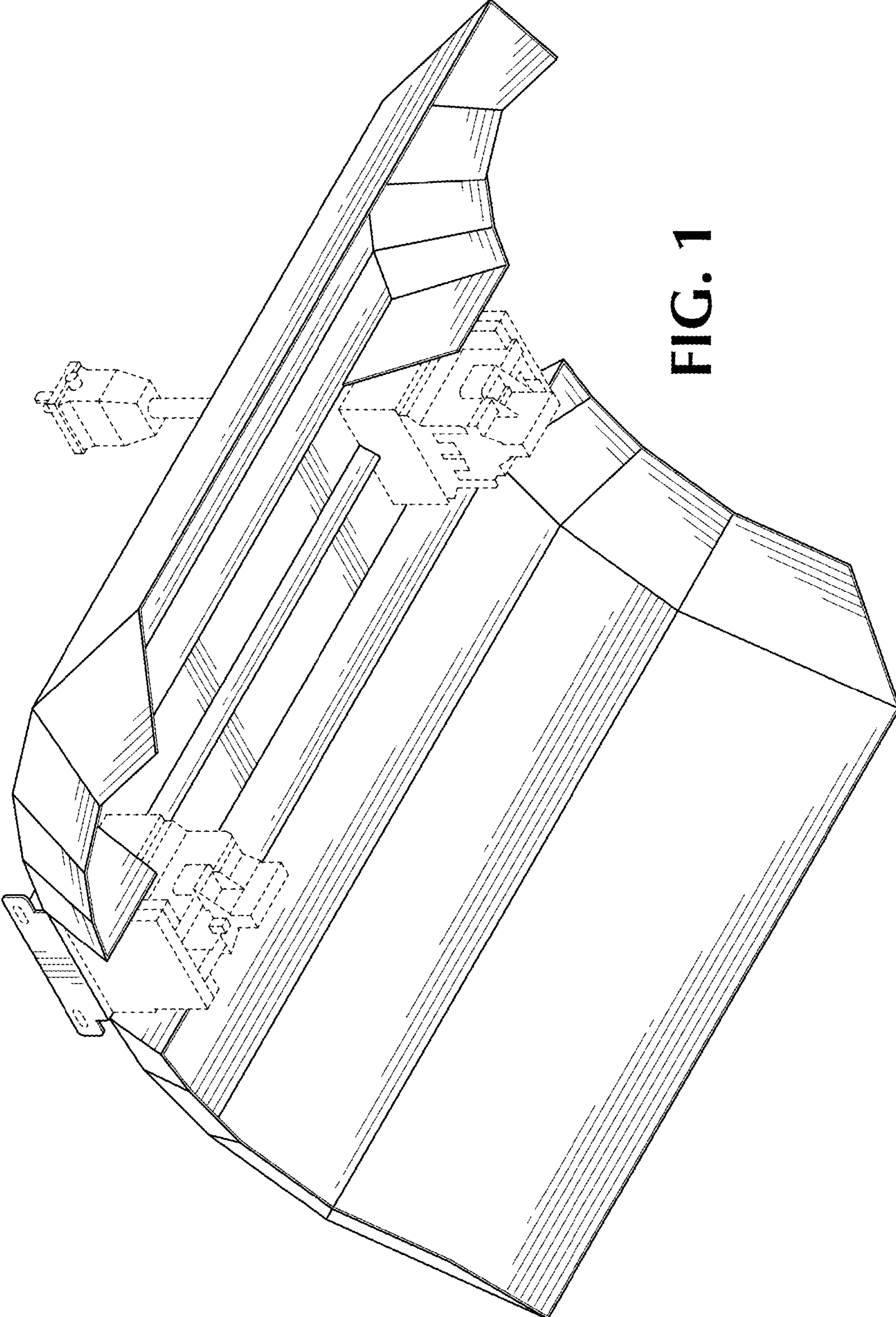


FIG. 1

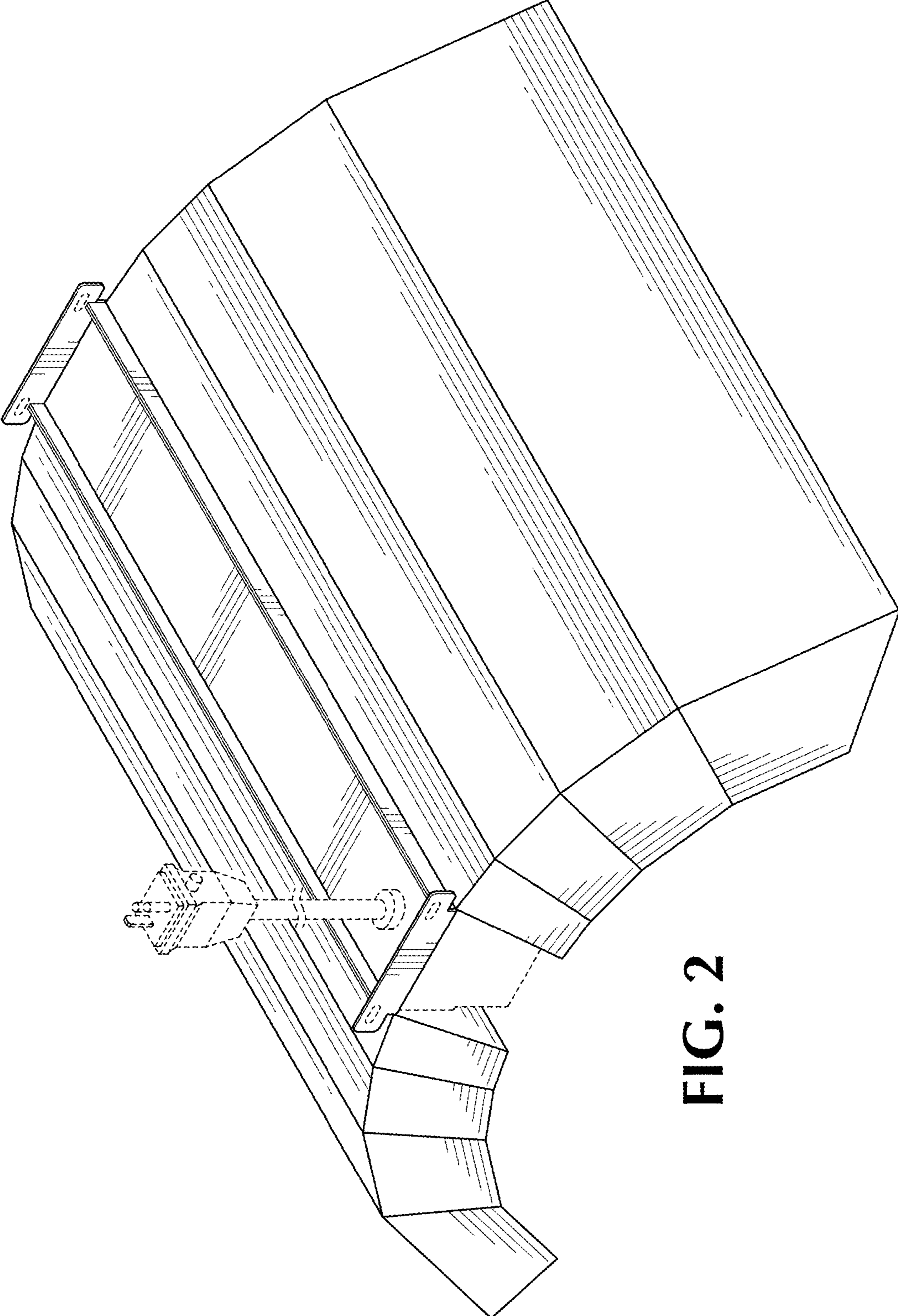


FIG. 2

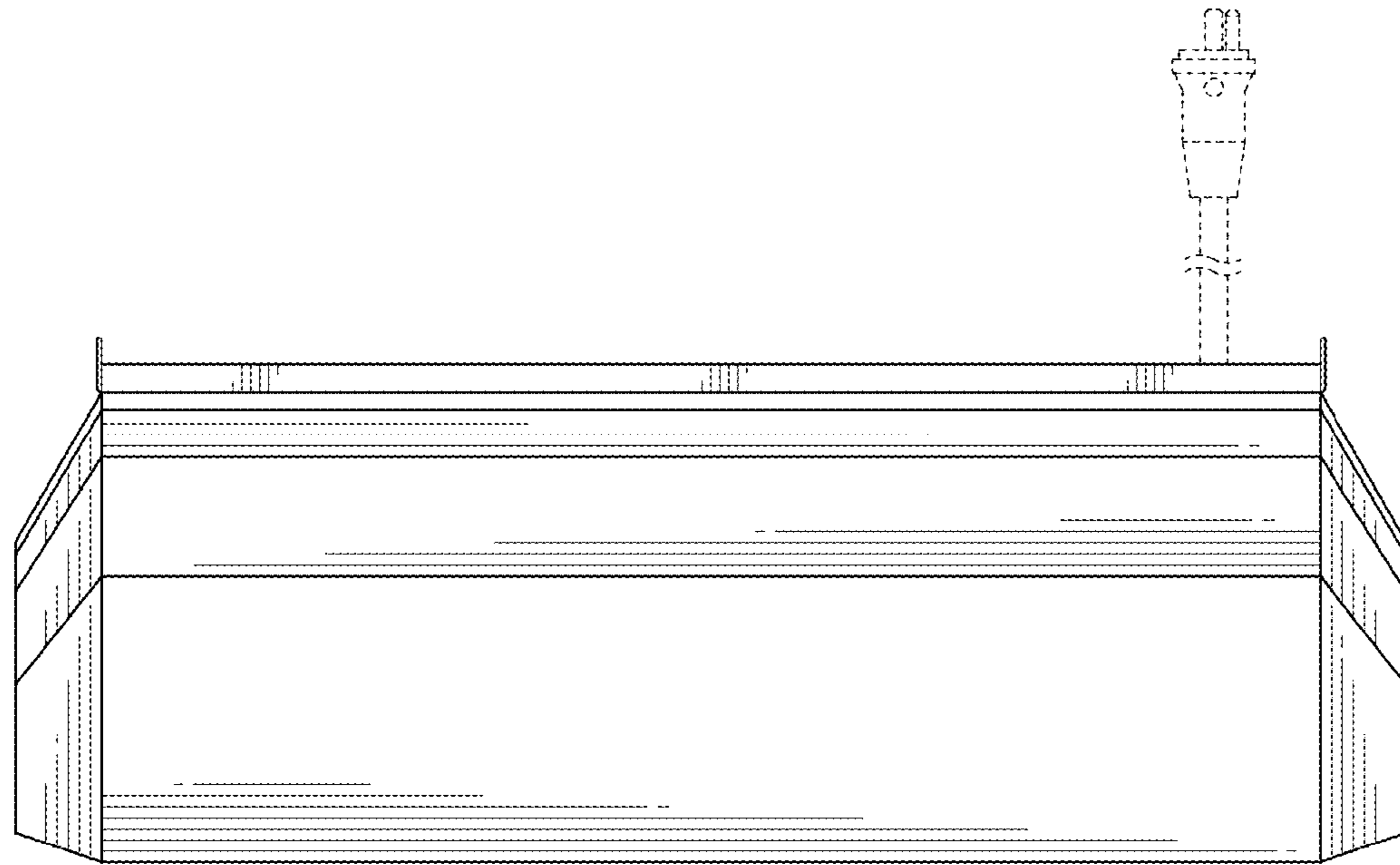


FIG. 3

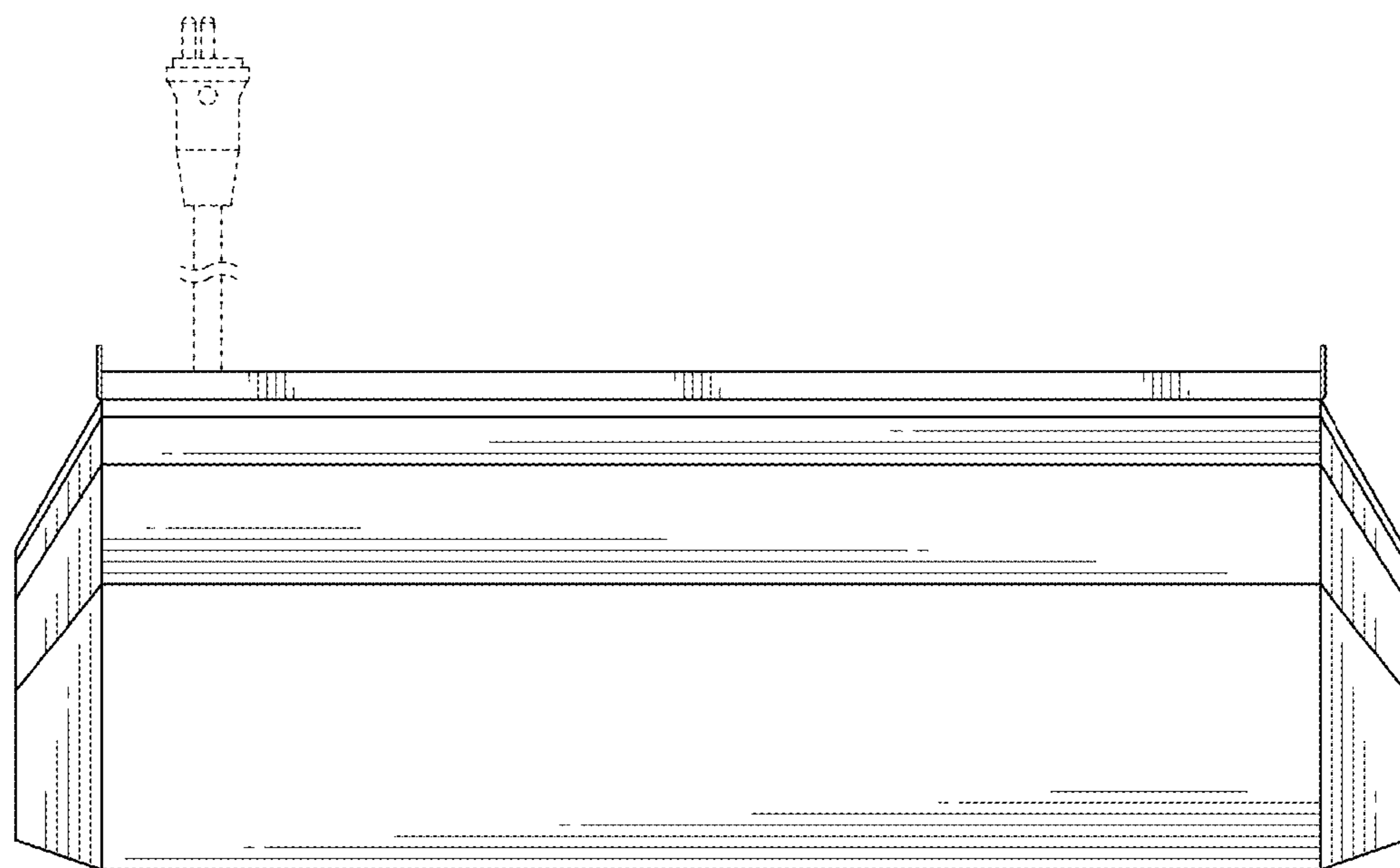
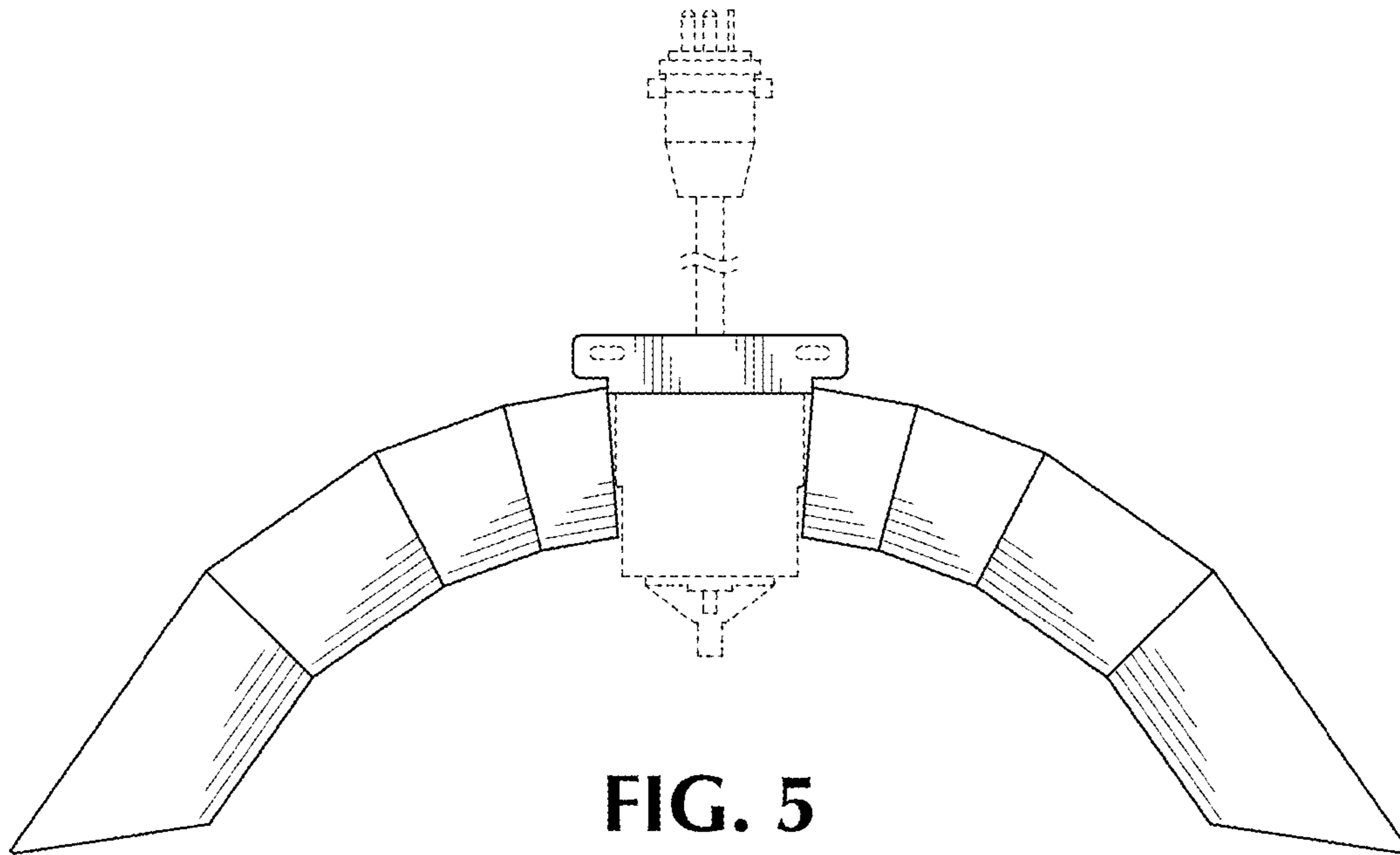
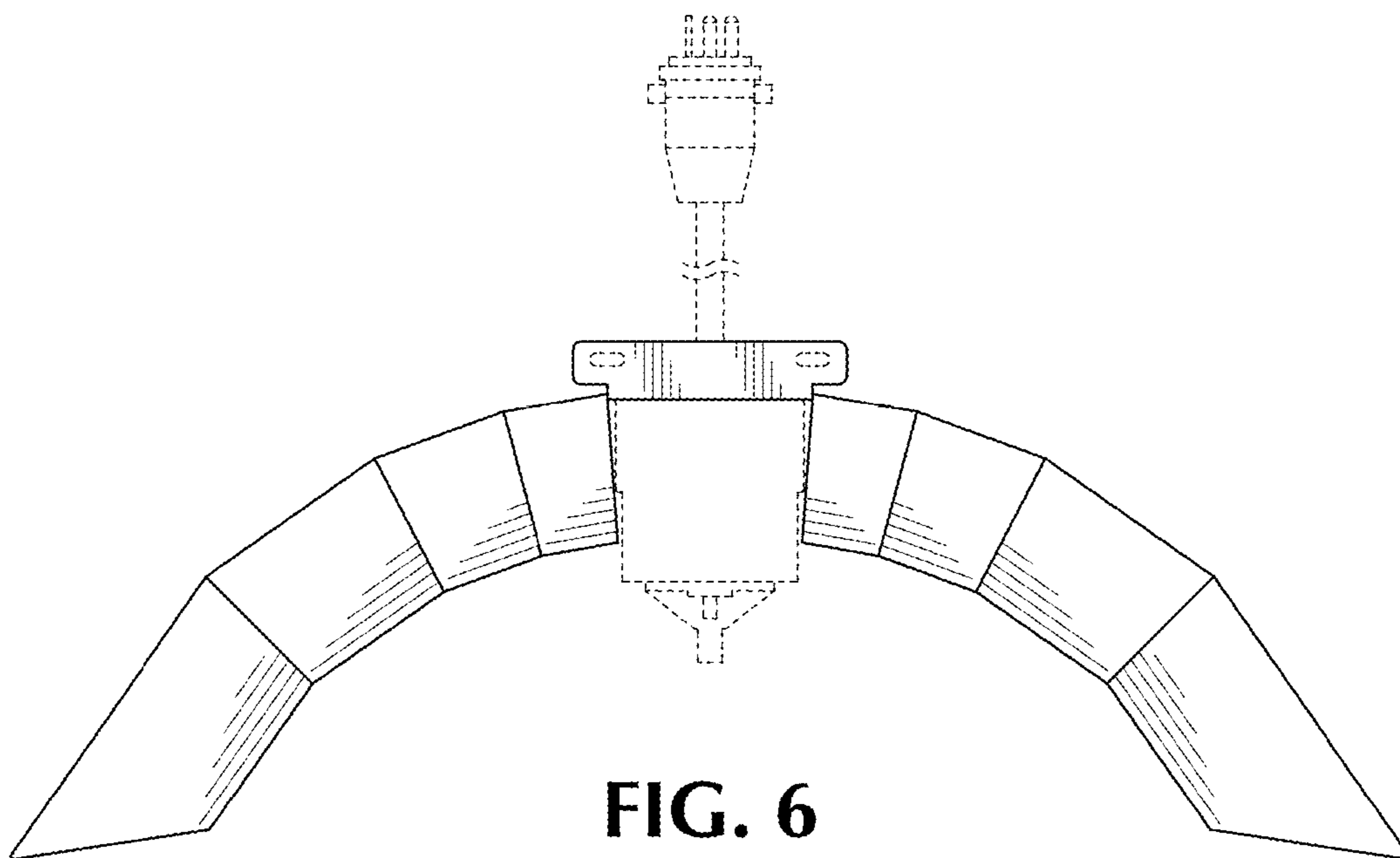


FIG. 4



**FIG. 5**



**FIG. 6**

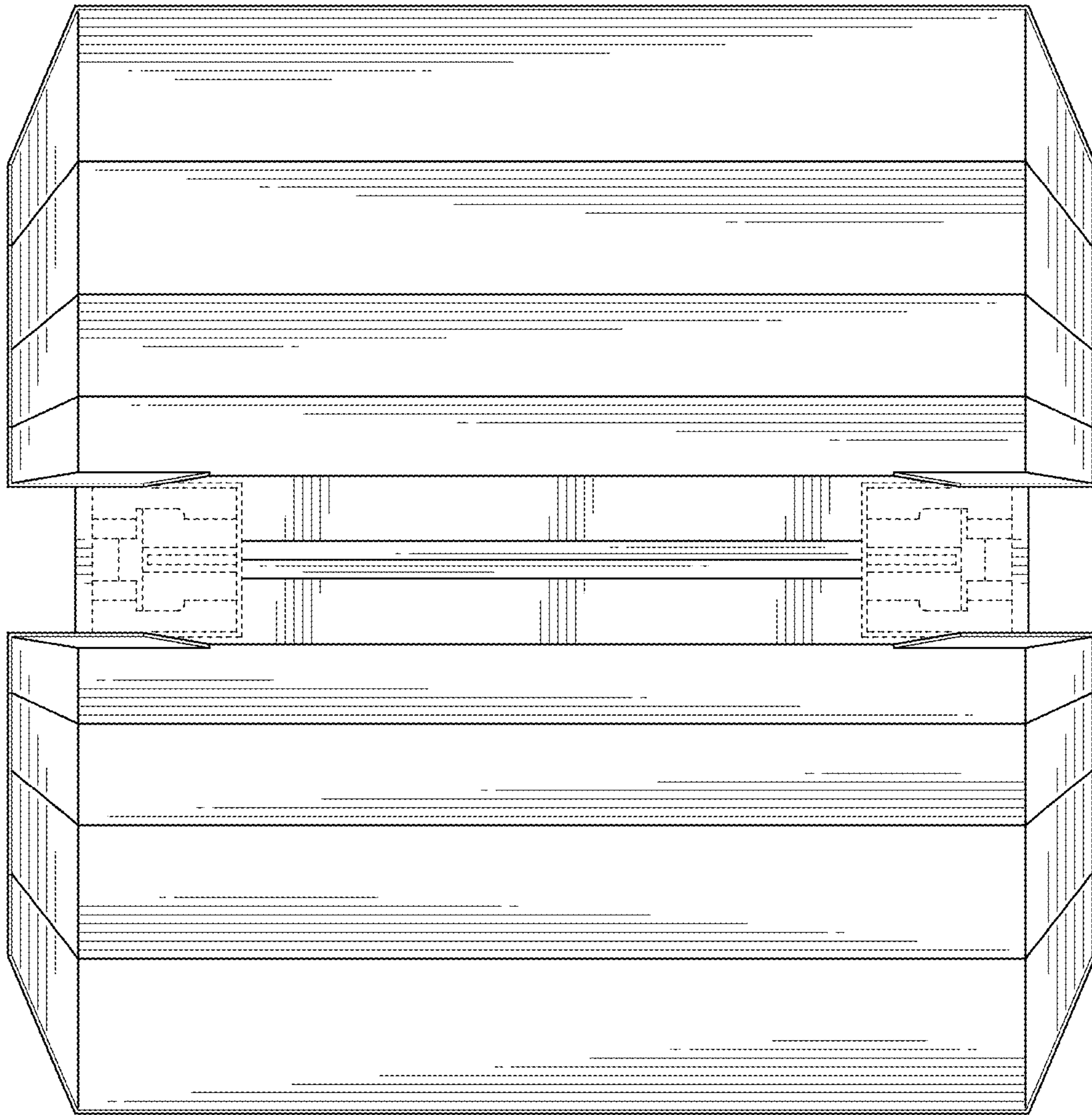


FIG. 7

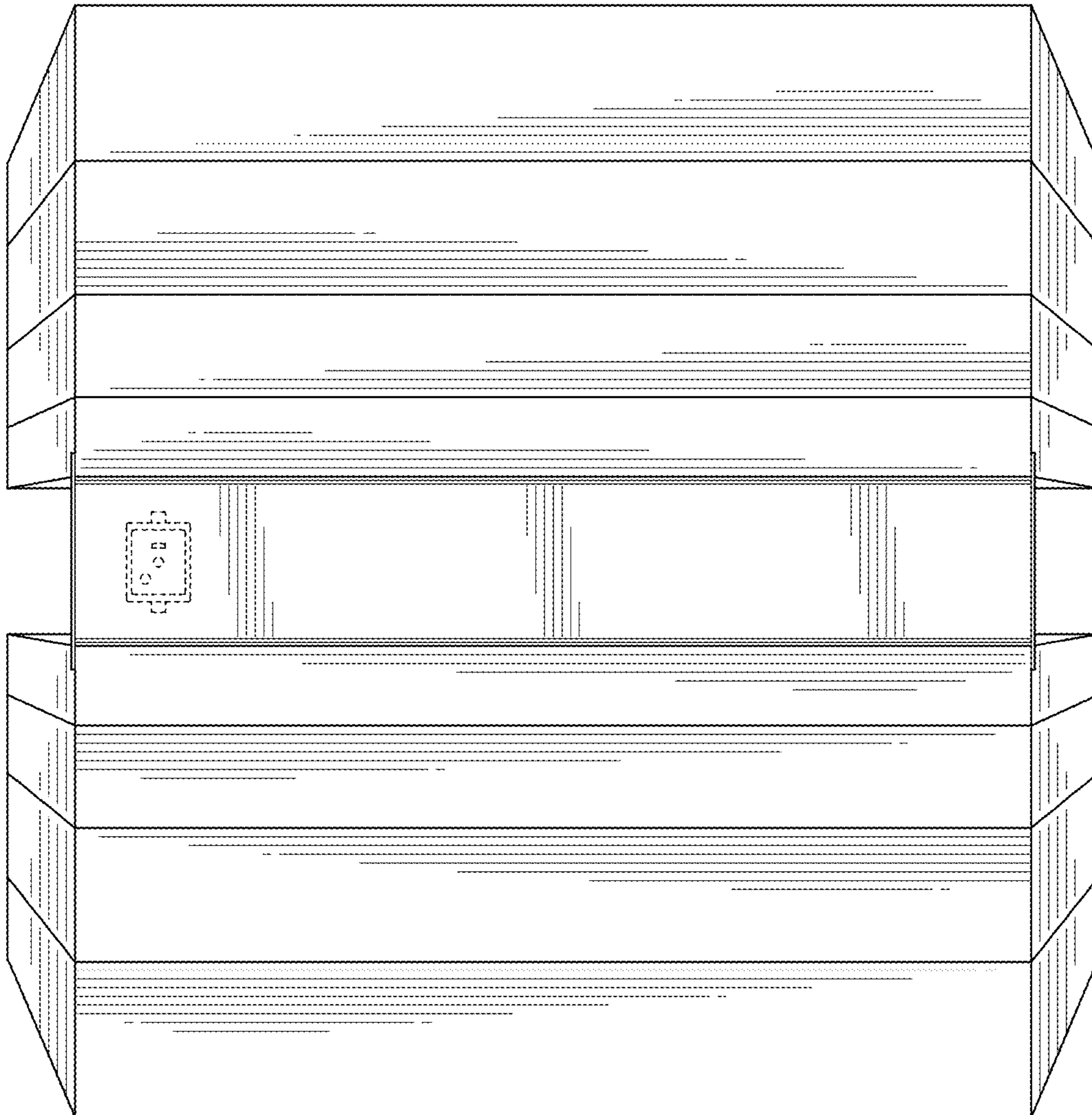


FIG. 8