



US00D770078S

(12) **United States Design Patent** (10) **Patent No.:** **US D770,078 S**
Largent (45) **Date of Patent:** **** Oct. 25, 2016**

(54) **LIGHT FIXTURE**

(71) Applicant: **JST Performance, LLC**, Gilbert, AZ
(US)

(72) Inventor: **Christopher P. Largent**, Phoenix, AZ
(US)

(73) Assignee: **JST Performance, LLC**, Gilbert, AZ
(US)

(**) Term: **14 Years**

(21) Appl. No.: **29/502,353**

(22) Filed: **Sep. 15, 2014**

(51) **LOC (10) Cl.** **26-99**

(52) **U.S. Cl.**
USPC **D26/118**

(58) **Field of Classification Search**
USPC D26/24, 26, 28, 29, 34, 37, 38, 43, 44,
D26/51, 59, 60, 61, 63, 66, 67, 68, 72, 74,
D26/76, 85, 86, 88, 89, 91, 113, 118, 119,
D26/120, 122-124, 138, 140-146;
362/145-148, 150, 153, 153.1, 218,
362/249.01-249.05, 294, 296.01, 296.07,
362/296.08, 311.07, 311.09, 311.1, 345,
362/362, 364, 365, 366, 368, 370, 371, 373,
362/397, 418, 427, 428, 460, 47
CPC F21V 29/02; F21V 3/02; F21V 15/013;
F21V 21/04
See application file for complete search history.

(56) **References Cited**

U.S. PATENT DOCUMENTS

| | | | | | |
|------------|---|---------|----------|-------|--------|
| D311,962 S | * | 11/1990 | Huebner | | D26/28 |
| D322,862 S | * | 12/1991 | Miller | | D26/24 |
| D344,812 S | * | 3/1994 | Collins | | D26/24 |
| D386,801 S | * | 11/1997 | Orgovan | | D20/10 |
| D420,458 S | * | 2/2000 | Guercio | | D26/24 |
| D475,154 S | * | 5/2003 | Binsukor | | D26/72 |

| | | | | | |
|------------|---|--------|---------|-------|---------|
| D551,383 S | * | 9/2007 | Wu | | D26/118 |
| D653,783 S | * | 2/2012 | Biro | | D26/31 |
| D659,280 S | * | 5/2012 | Guercio | | D26/118 |
| D676,185 S | * | 2/2013 | Piegras | | D26/113 |
| D676,990 S | * | 2/2013 | Adams | | D26/31 |

(Continued)

Primary Examiner — Garth Rademaker

Assistant Examiner — Llorellys Martinez-Rivera

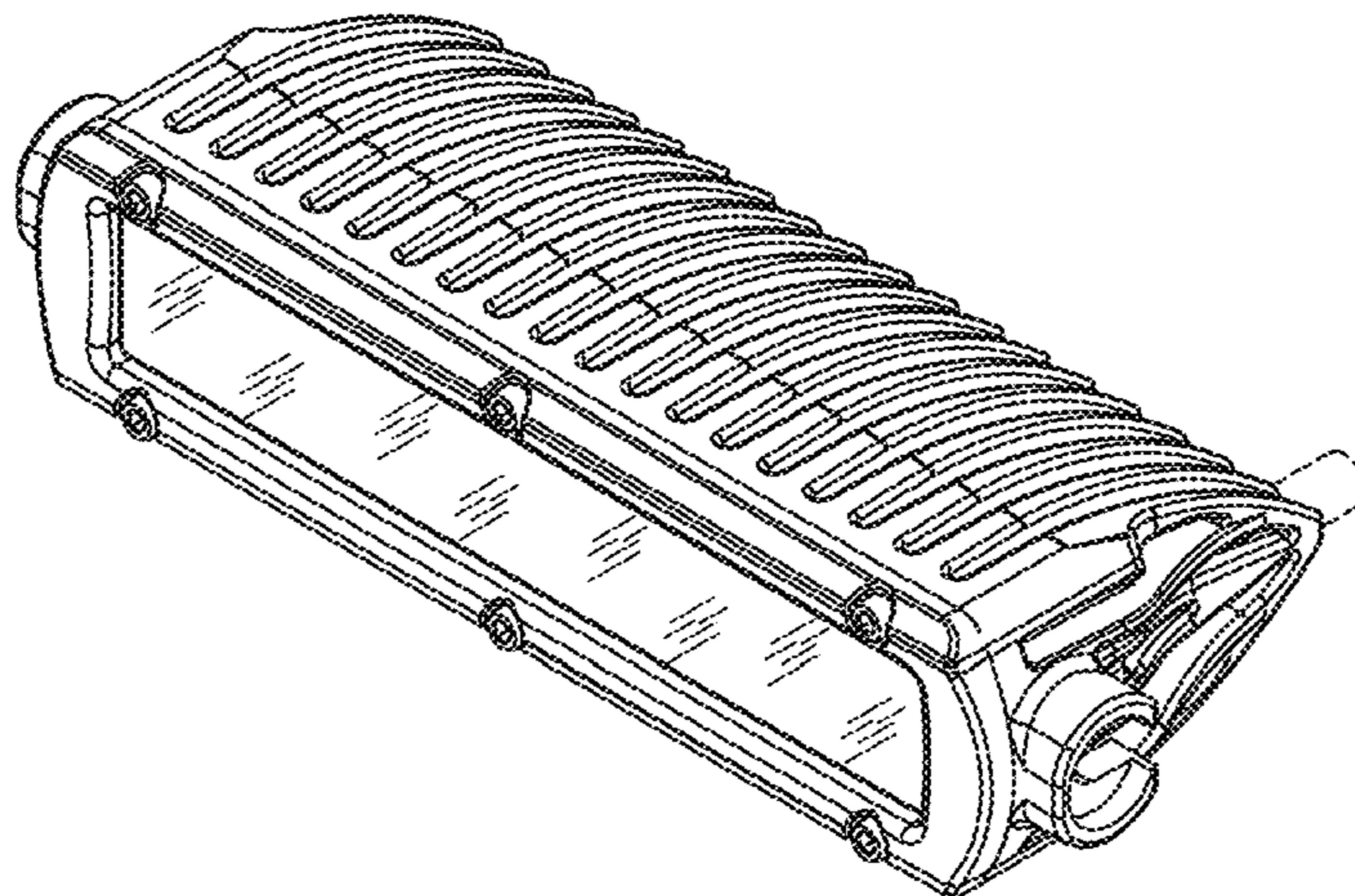
(57) **CLAIM**

The ornamental design for a light fixture, as shown and described.

DESCRIPTION

FIG. 1 is a front and right side top perspective view of our new design for a light fixture;
FIG. 2 is a front and left side top perspective view thereof;
FIG. 3 is a front and right side bottom perspective view thereof;
FIG. 4 is a front and left side bottom perspective view thereof; FIG. 5 is a back and right side top perspective view thereof;
FIG. 6 is a back and left side top perspective view thereof;
FIG. 7 is a back and right side bottom perspective view thereof;
FIG. 8 is a back and left side bottom perspective view thereof;
FIG. 9 is a front and right side top perspective view thereof, showing different unclaimed internal features;
FIG. 10 is a front left side top perspective view thereof, showing different unclaimed internal features;
FIG. 11 is a front side view thereof;
FIG. 12 is a back side view thereof;
FIG. 13 is a left side view thereof;
FIG. 14 is a right side view thereof;
FIG. 15 is a top side view thereof; and,
FIG. 16 is a bottom side view thereof.
The broken lines shown in the drawings illustrate portions of the light fixture that form no part of the claimed design.

1 Claim, 11 Drawing Sheets



US D770,078 S

Page 2

(56)

References Cited

U.S. PATENT DOCUMENTS

| | | | | | | | |
|--------------|--------|----------------|---------|--------------|---------|---------------|---------|
| D708,778 S * | 7/2014 | Sibitzky | D26/118 | D716,986 S * | 11/2014 | Ng | D26/60 |
| D710,530 S * | 8/2014 | Chang | D26/118 | D722,186 S * | 2/2015 | Epmeier | D26/28 |
| D711,026 S * | 8/2014 | Haumann | D26/31 | D732,219 S * | 6/2015 | Adams | D26/63 |
| | | | | D734,532 S * | 7/2015 | Gordin | D26/118 |
| | | | | D739,594 S * | 9/2015 | Adams | D26/118 |

* cited by examiner

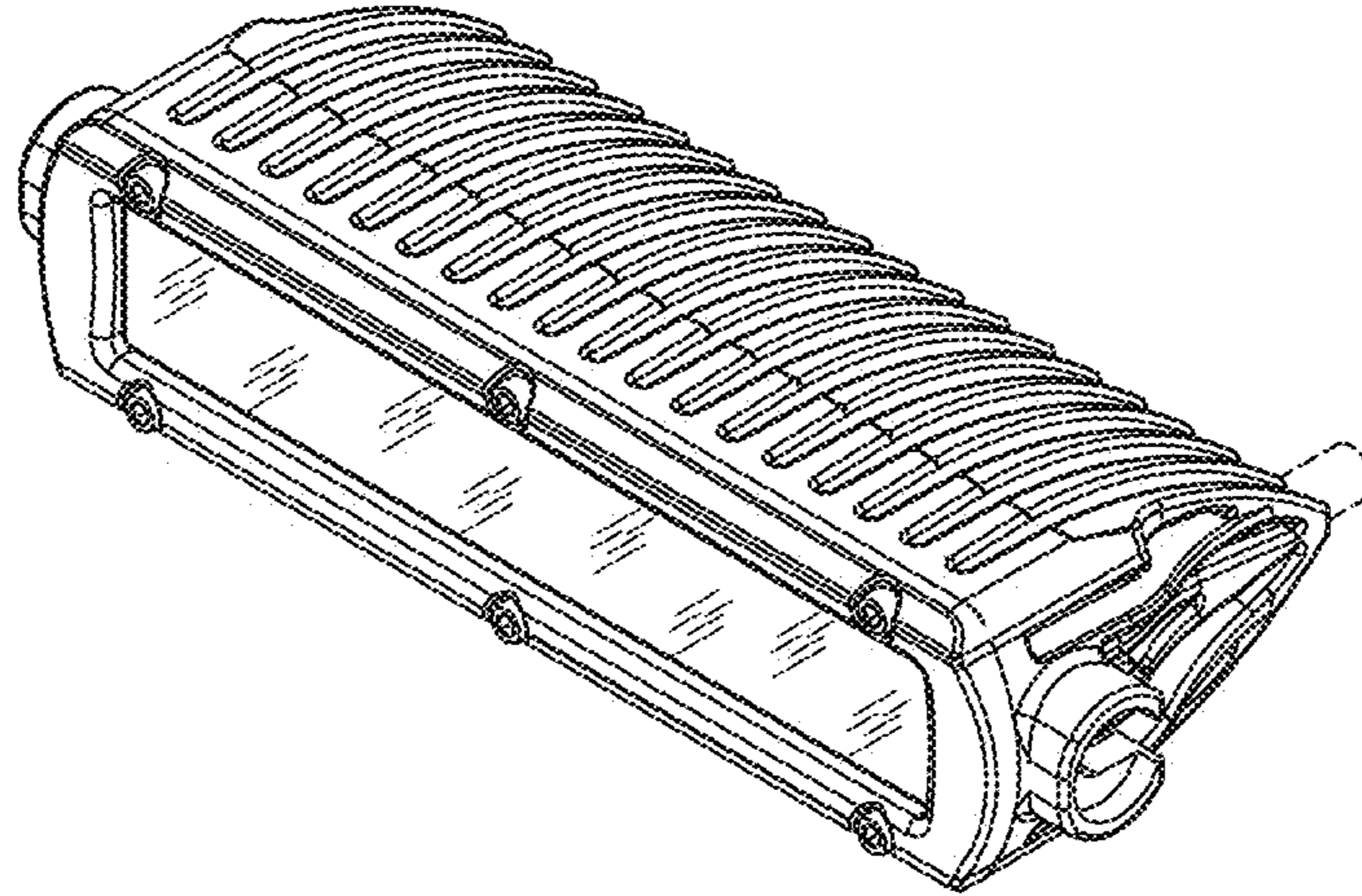


FIG. 1

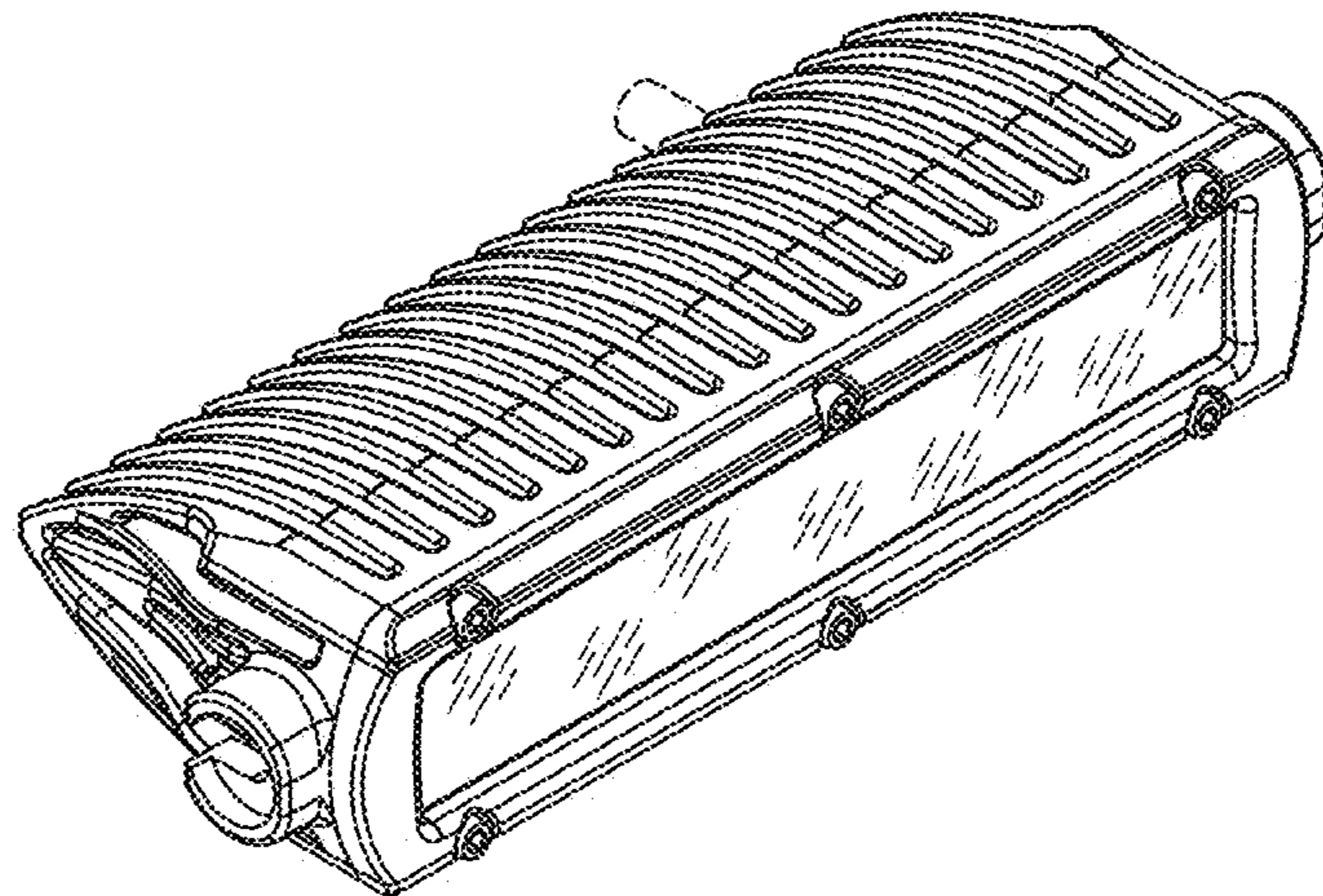


FIG. 2

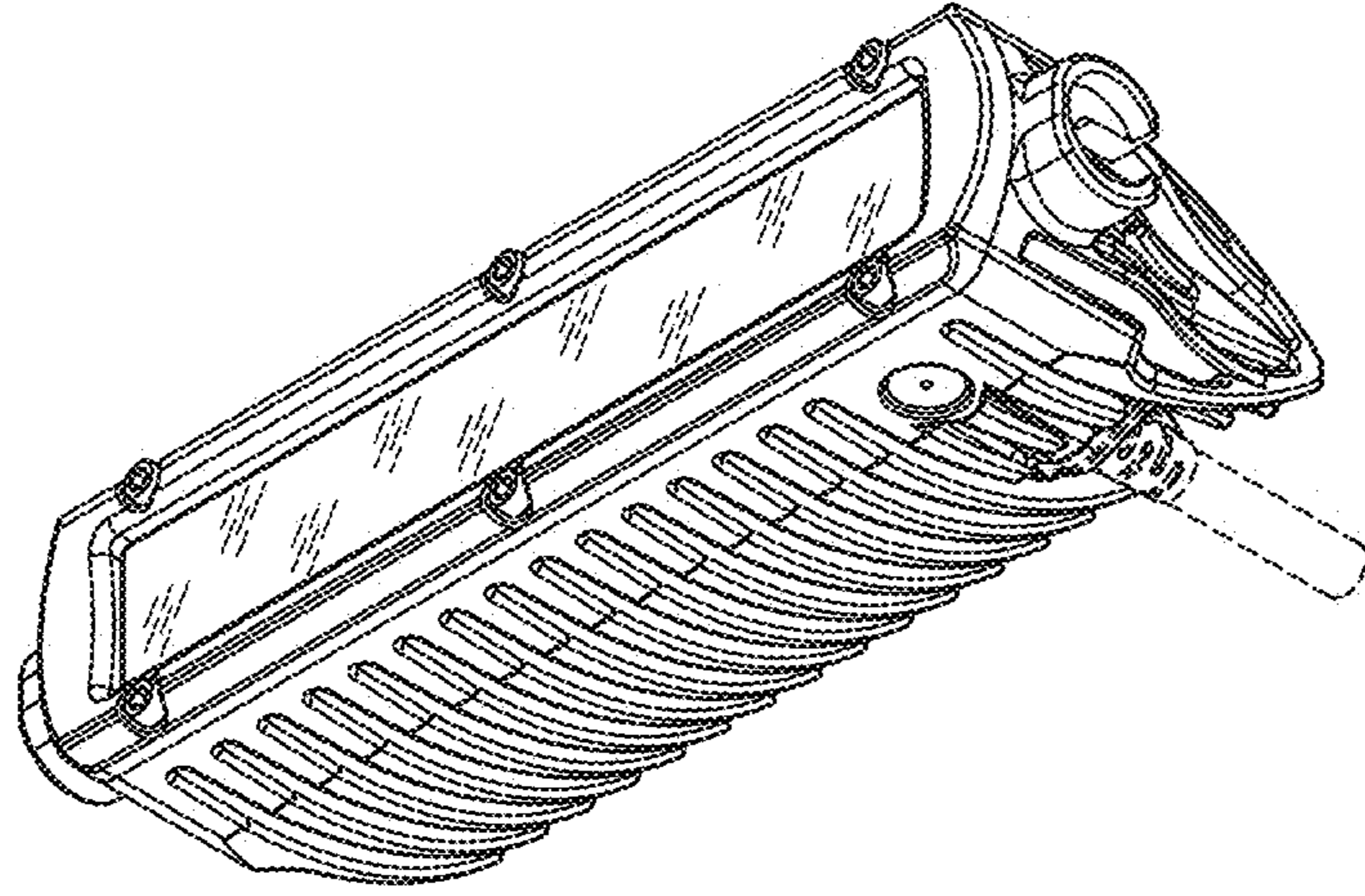


FIG. 3

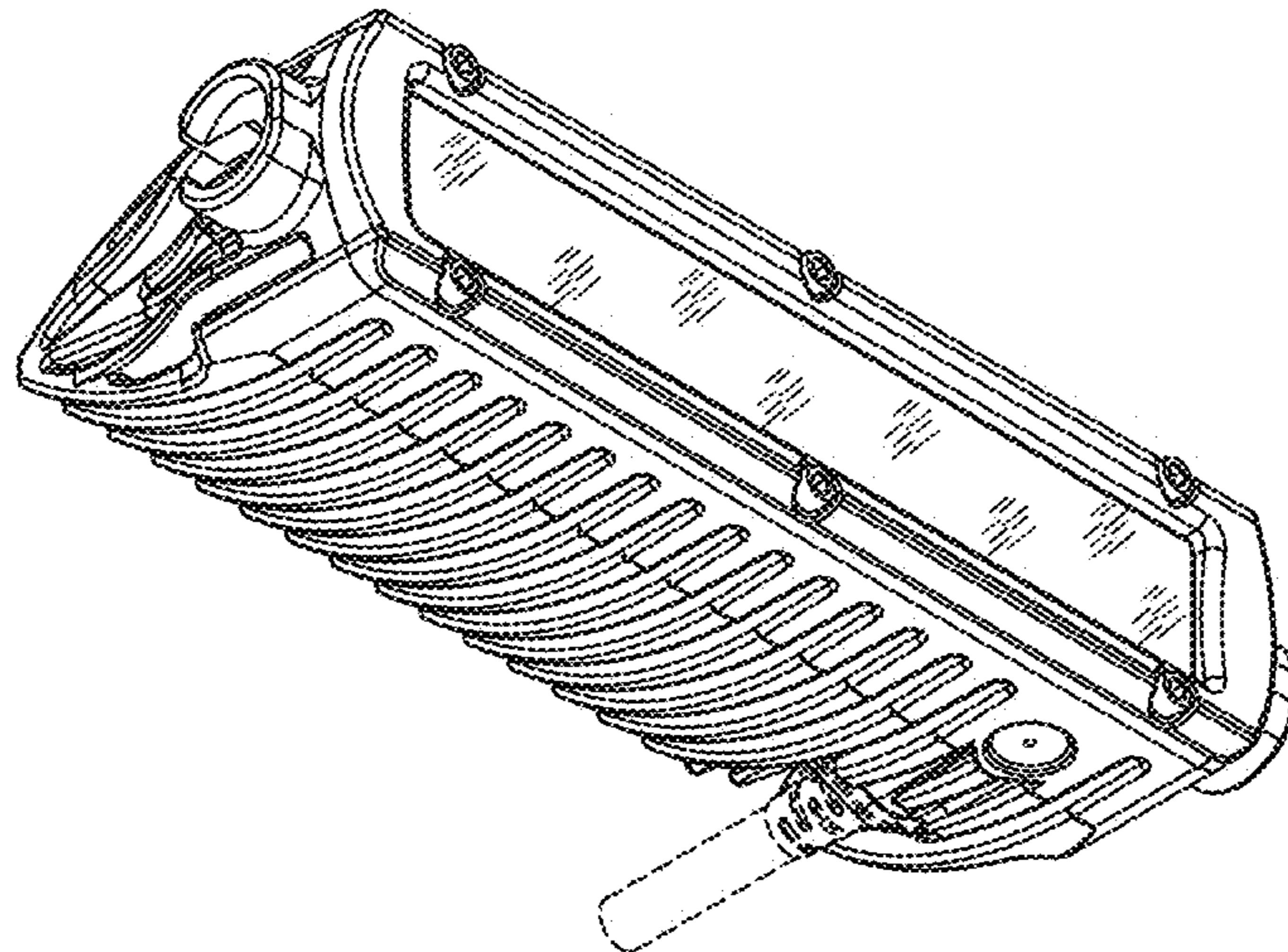


FIG. 4

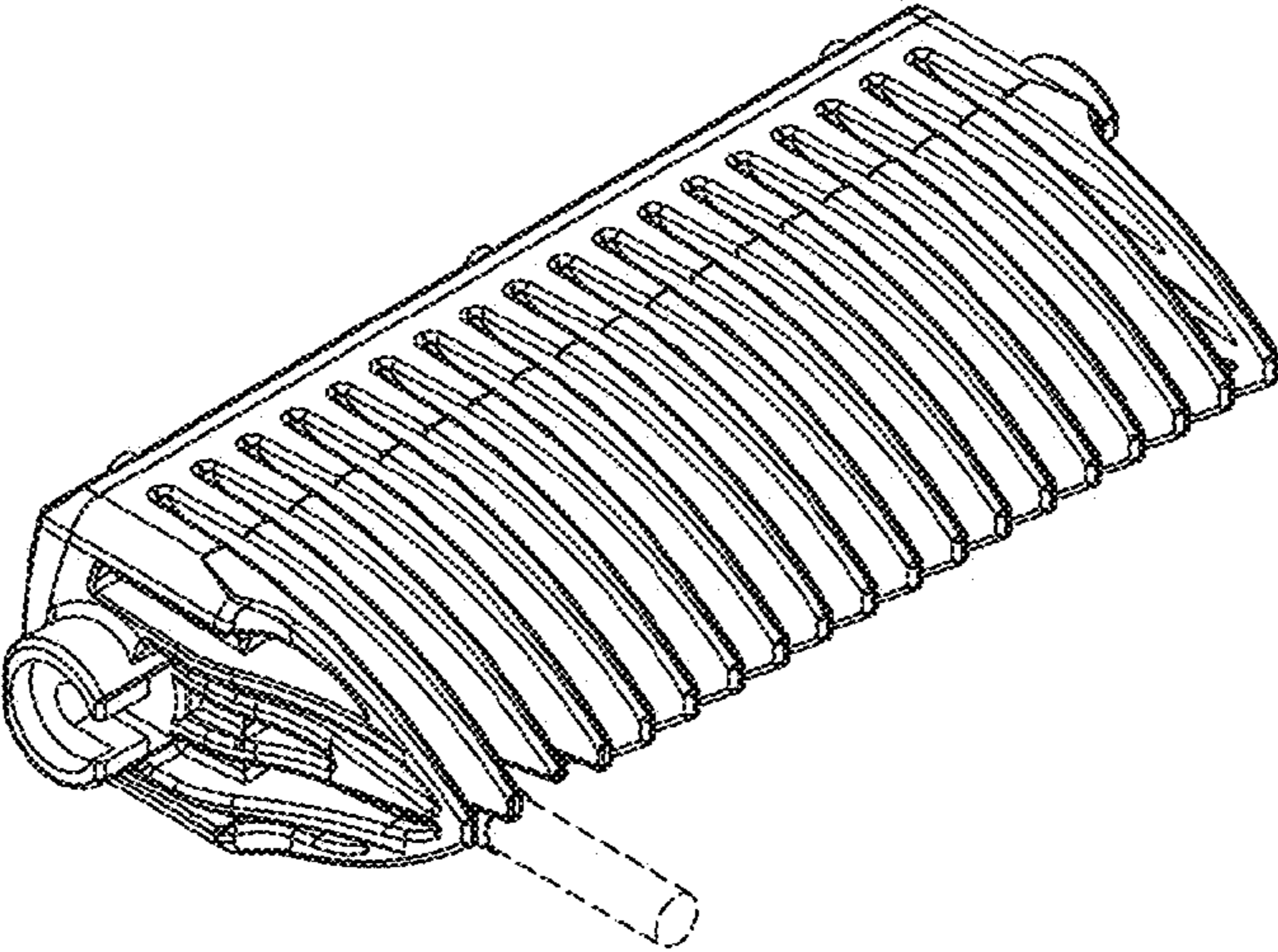


FIG. 5

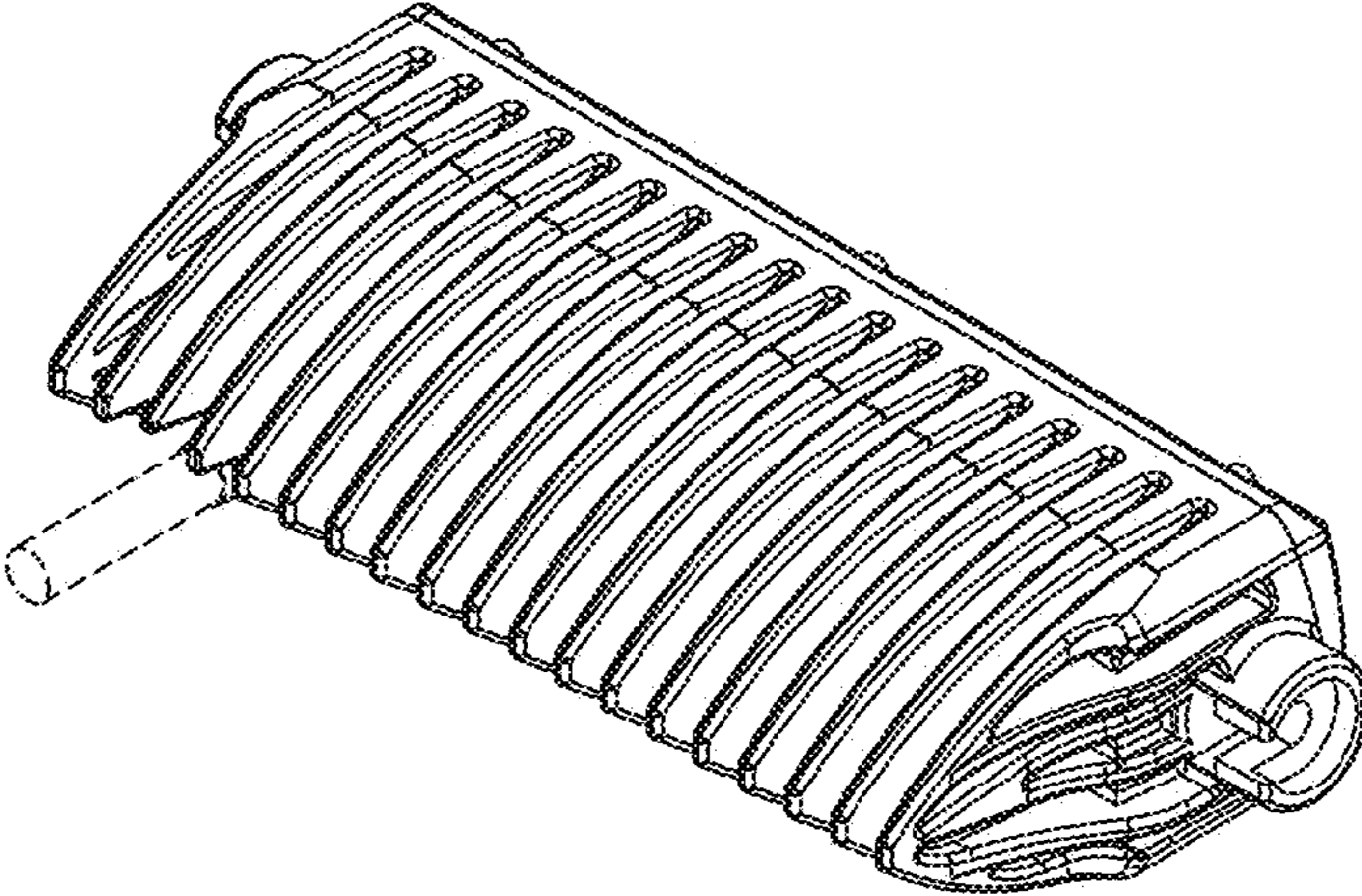


FIG. 6

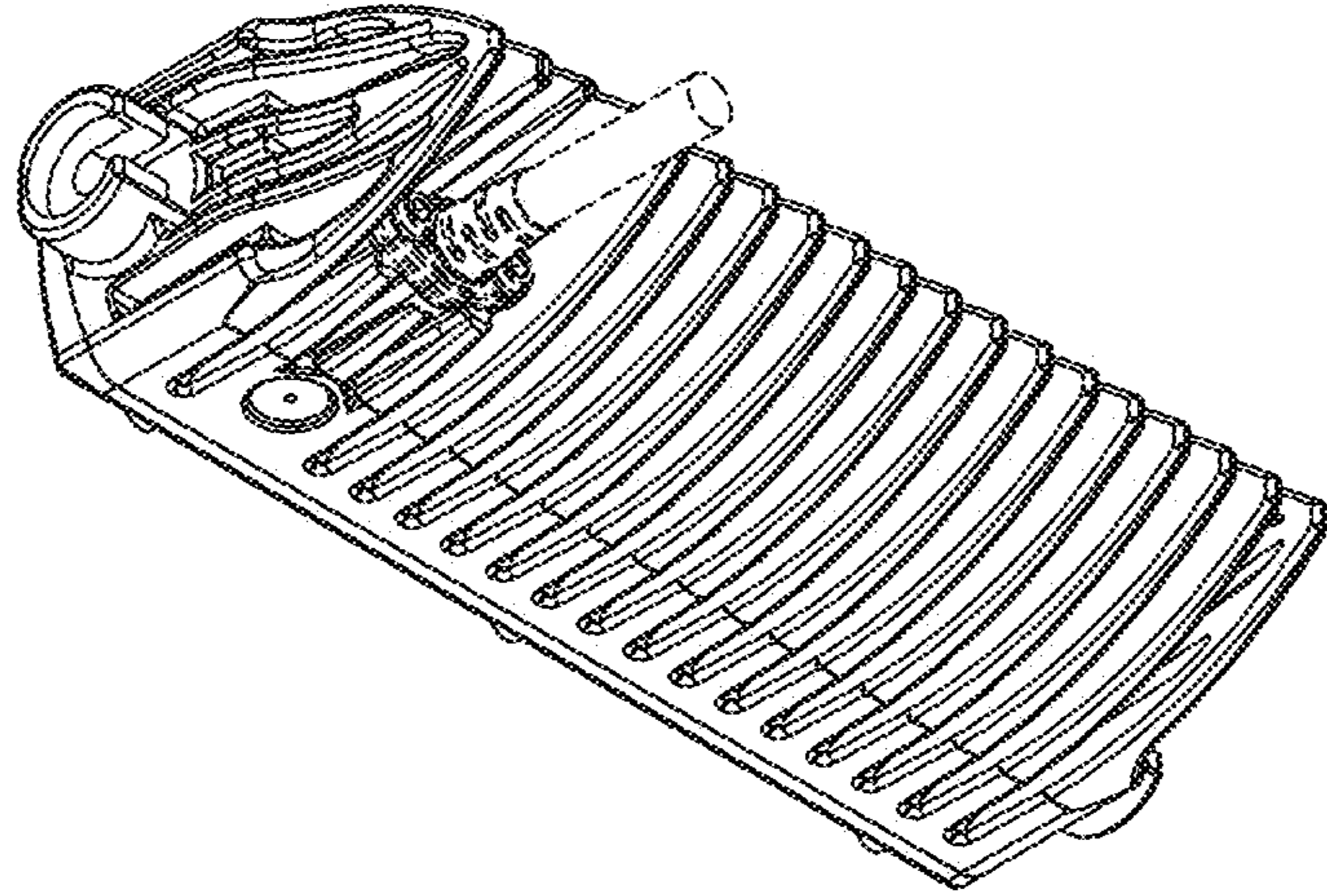


FIG. 7

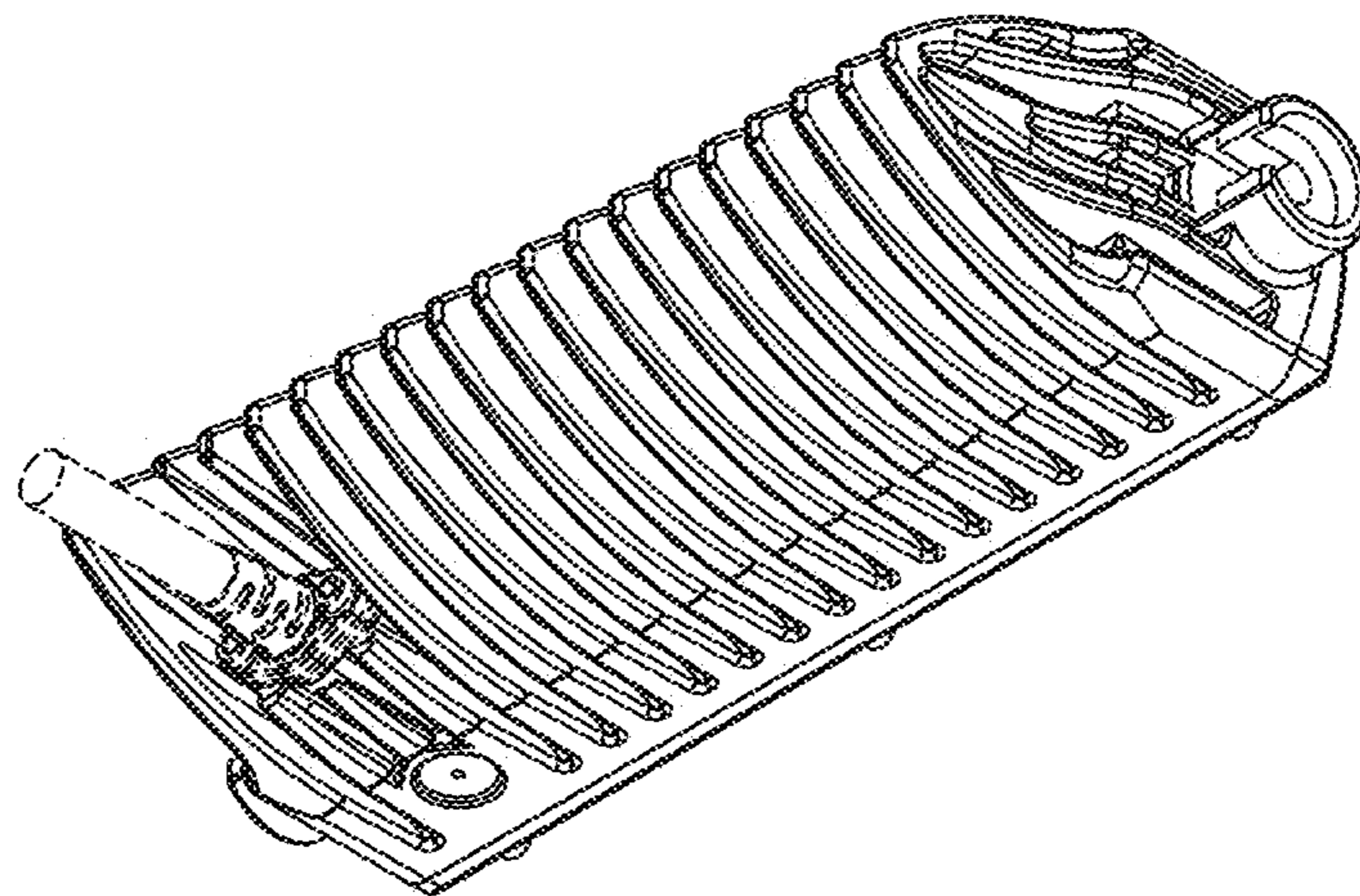


FIG. 8

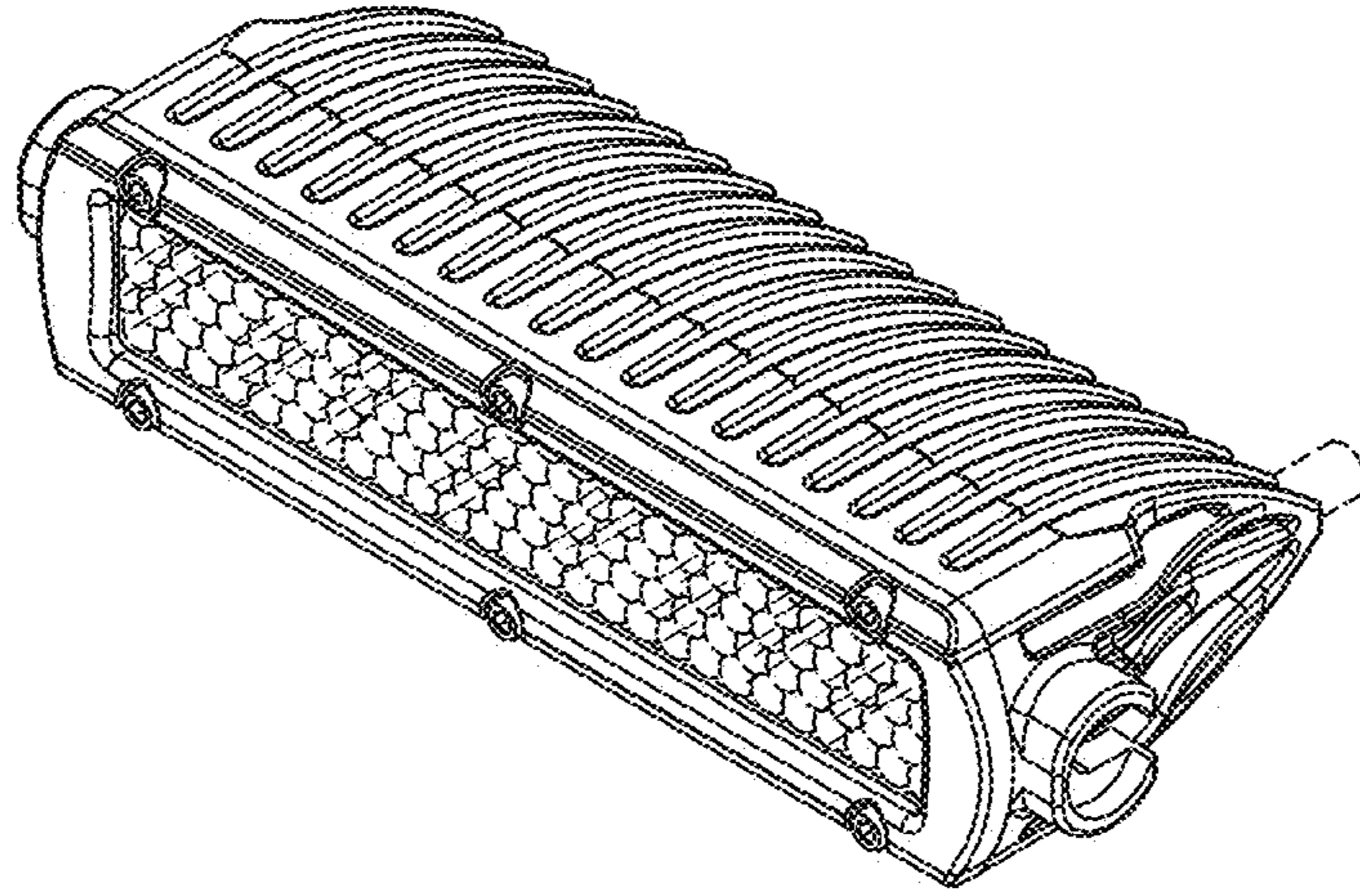


FIG. 9

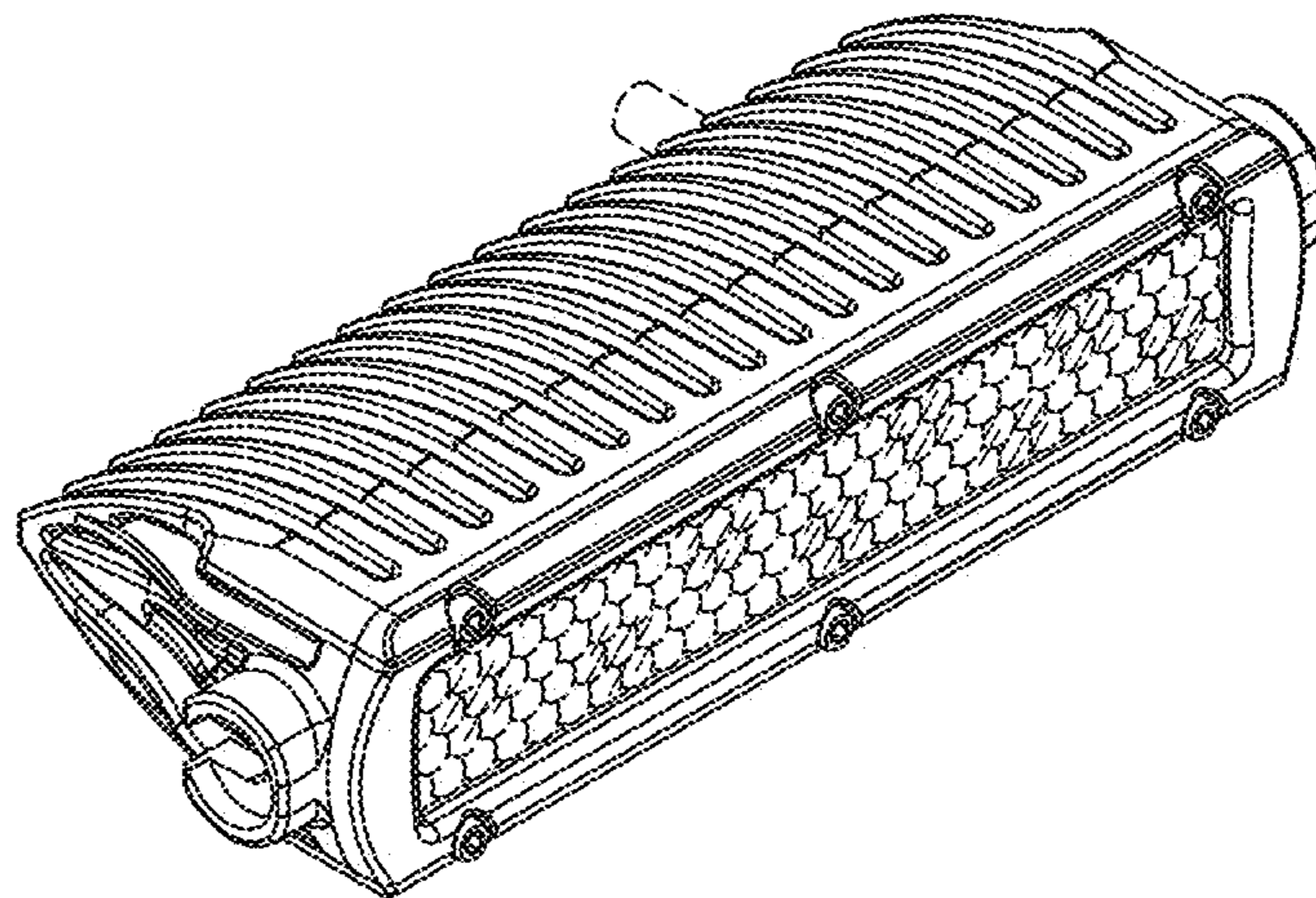


FIG. 10

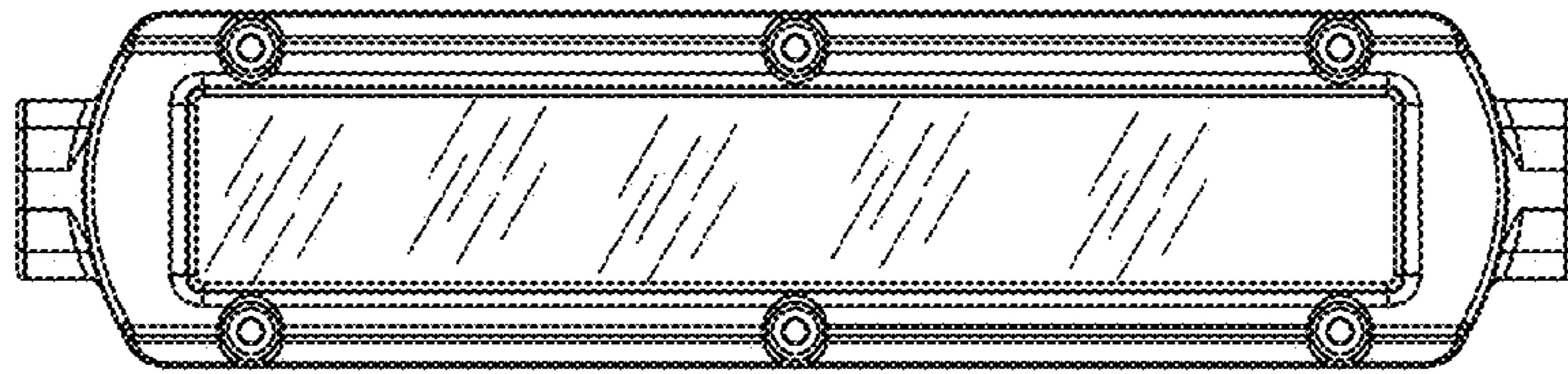


FIG. 11

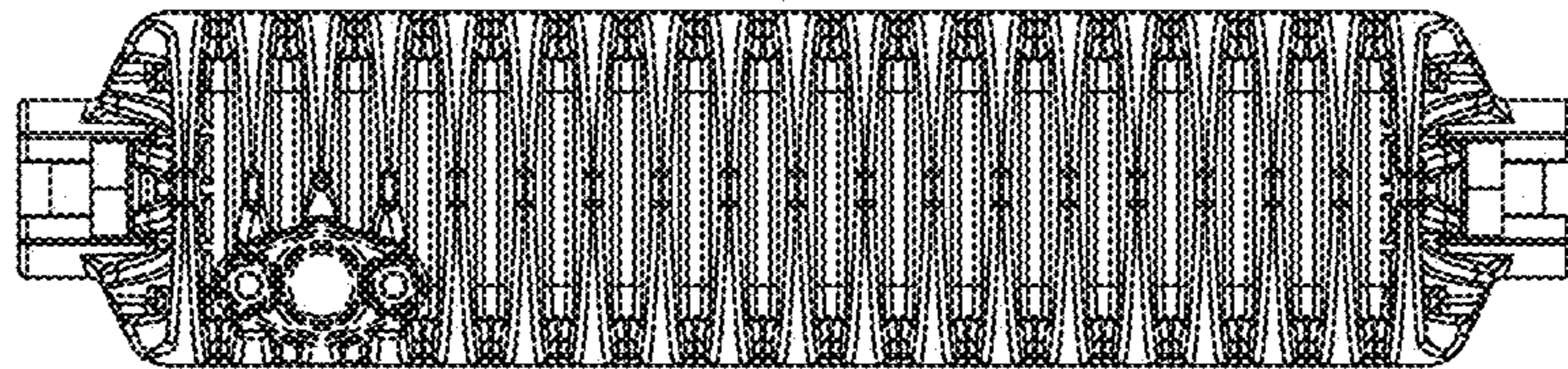


FIG. 12

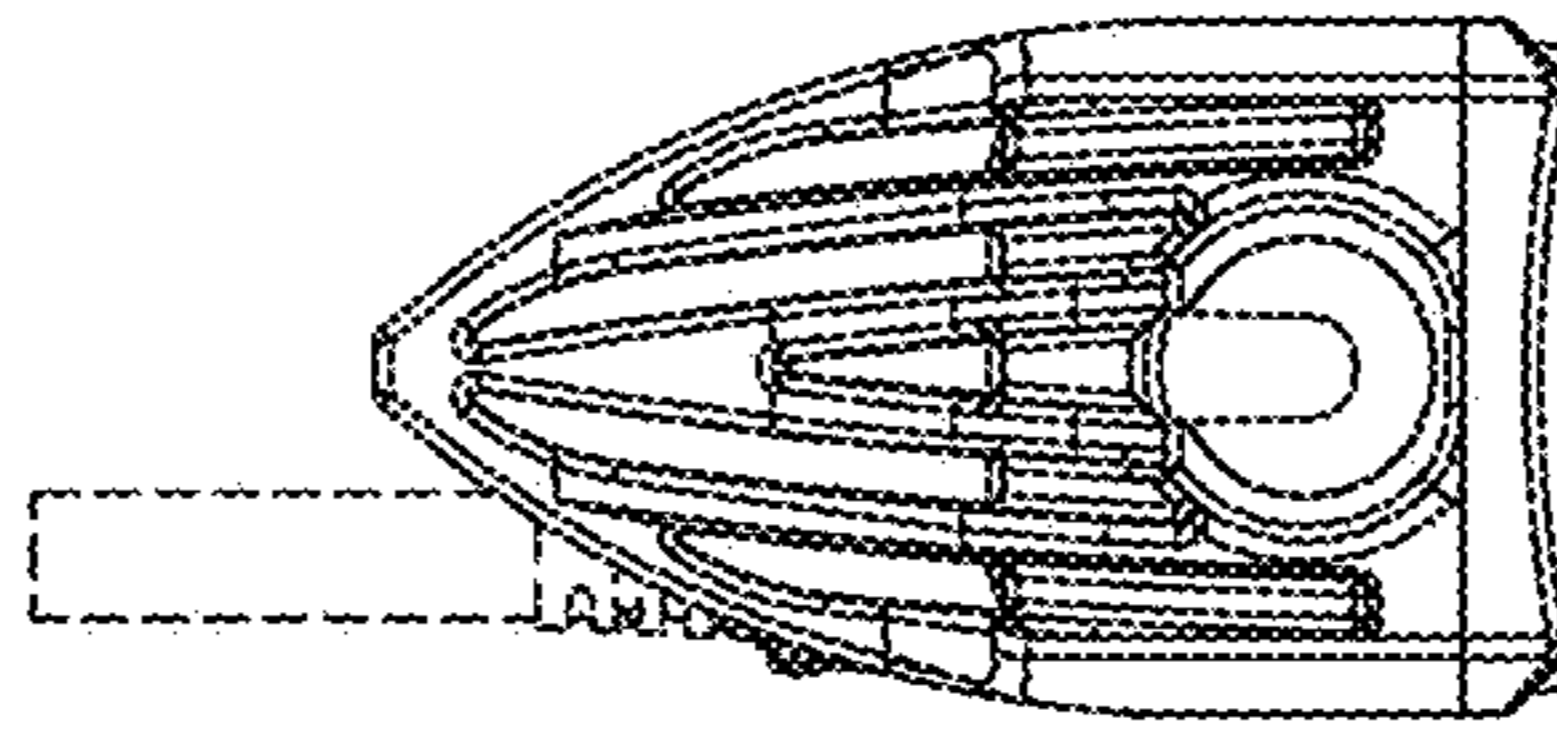


FIG. 13

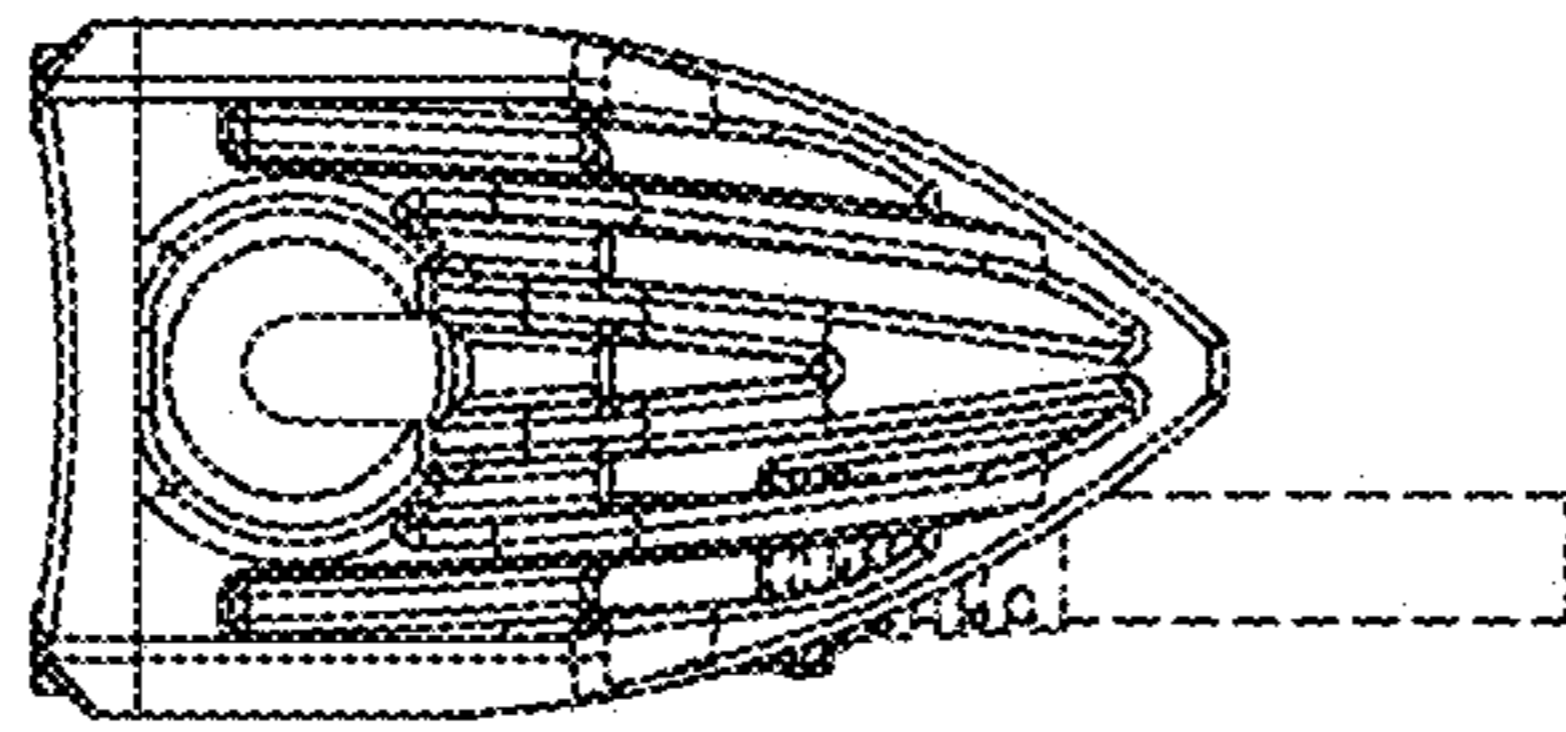


FIG. 14

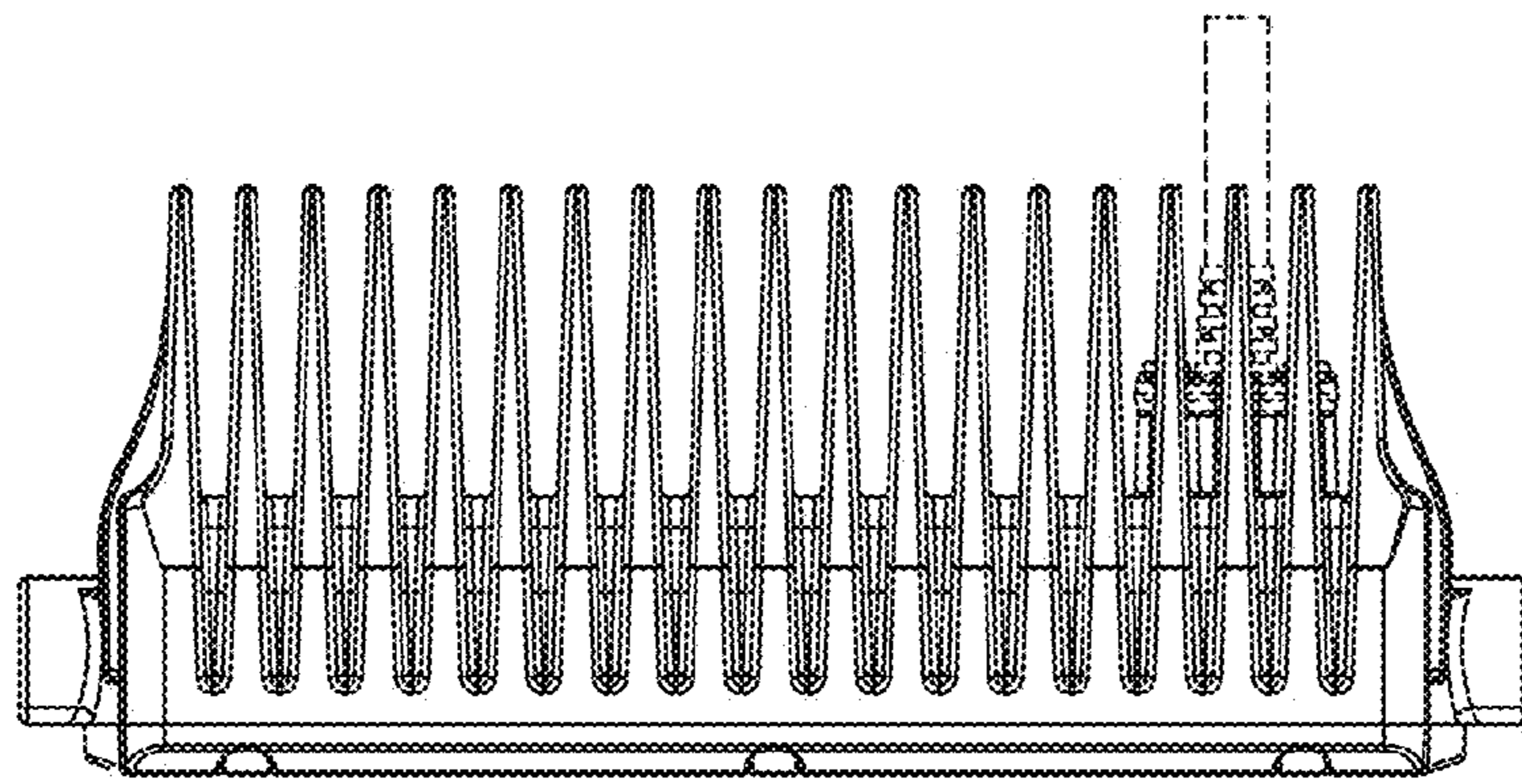


FIG. 15

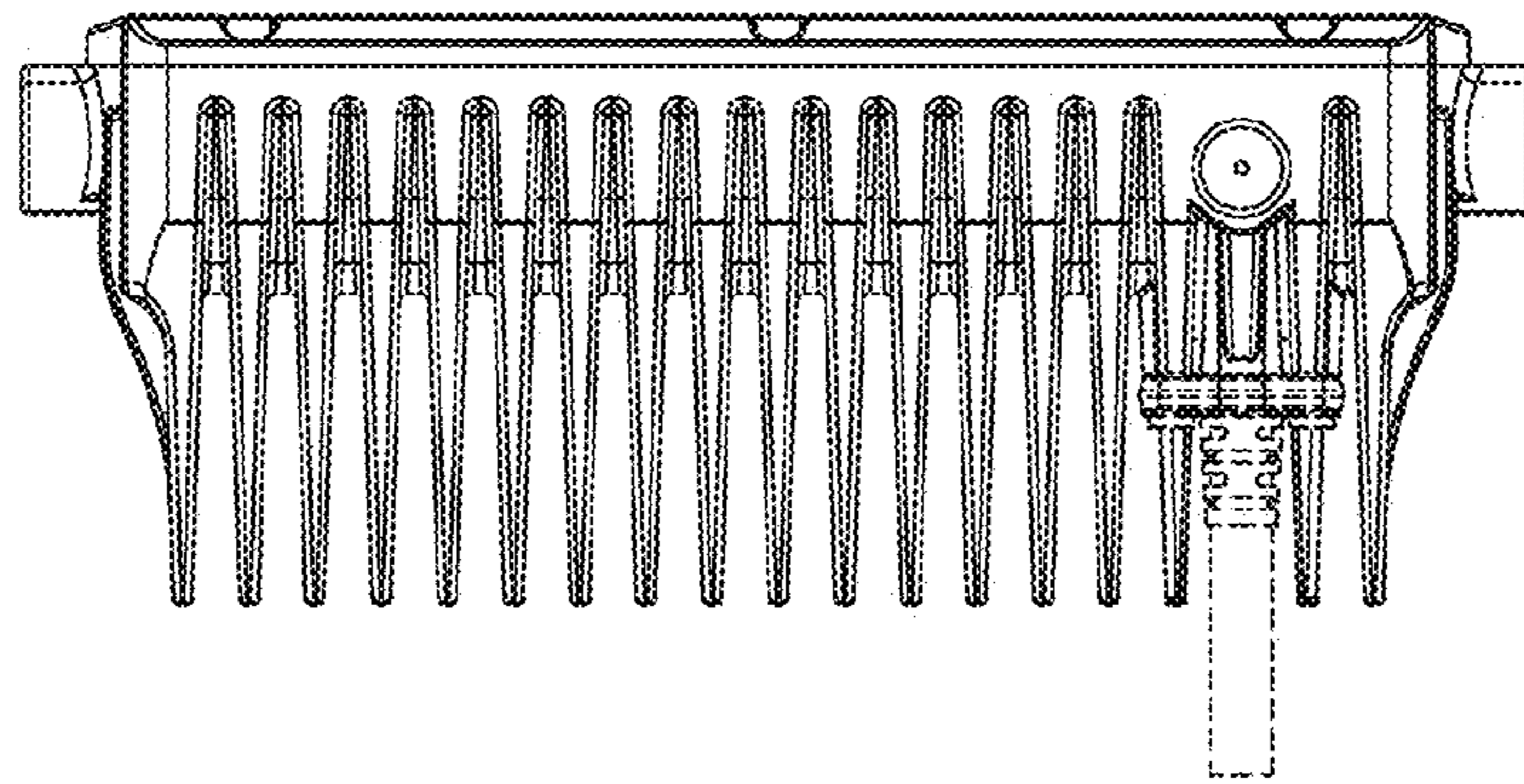


FIG. 16