



US00D770077S

(12) **United States Design Patent**  
**Lai et al.**

(10) **Patent No.:** **US D770,077 S**  
(45) **Date of Patent:** **\*\* Oct. 25, 2016**

(54) **CEILING LIGHT**

(71) Applicant: **LEXTAR ELECTRONICS CORPORATION**, Hsinchu (TW)

(72) Inventors: **Ming-Hsien Lai**, Miaoli County (TW);  
**Kuan-Ting Chen**, Taipei (TW);  
**Tsung-Lin Yu**, Chiayi County (TW);  
**Chin-Hsing Tsai**, Taichung (TW)

(73) Assignee: **Lextar Electronics Corporation**,  
Hsinchu (TW)

(\*\*) Term: **15 Years**

(21) Appl. No.: **29/544,753**

(22) Filed: **Nov. 5, 2015**

(30) **Foreign Application Priority Data**

Jul. 1, 2015 (TW) ..... 104210596 U

(51) **LOC (10) Cl.** ..... **26-03**

(52) **U.S. Cl.**  
USPC ..... **D26/89**

(58) **Field of Classification Search**  
USPC ..... D26/28, 67, 72, 83, 89, 91, 118  
CPC ..... F21S 8/04; F21S 8/033; F21S 8/036;  
F21S 13/02

See application file for complete search history.

(56) **References Cited**

**U.S. PATENT DOCUMENTS**

D649,678 S \* 11/2011 Germain ..... D26/85  
D748,316 S \* 1/2016 Sakurai ..... D26/89

D748,842 S \* 2/2016 Sakurai ..... D26/89  
D751,236 S \* 3/2016 Renshaw ..... D26/89  
2011/0051457 A1\* 3/2011 Chen ..... F21S 8/04  
362/607  
2011/0063829 A1\* 3/2011 Chen ..... E04B 9/006  
362/231  
2011/0222293 A1\* 9/2011 Kim ..... F21S 2/005  
362/294  
2012/0106135 A1\* 5/2012 Chen ..... F21S 8/04  
362/147  
2012/0320627 A1\* 12/2012 Araki ..... F21S 8/04  
362/608  
2014/0240978 A1\* 8/2014 Kim ..... F21K 9/50  
362/235  
2015/0009454 A1\* 1/2015 Nagatani ..... G02B 6/005  
349/65  
2015/0117025 A1\* 4/2015 Adkins ..... F21S 8/04  
362/311.01  
2016/0109638 A1\* 4/2016 Kinoshita ..... G02B 6/0038  
362/607

\* cited by examiner

*Primary Examiner* — Clare E Heflin

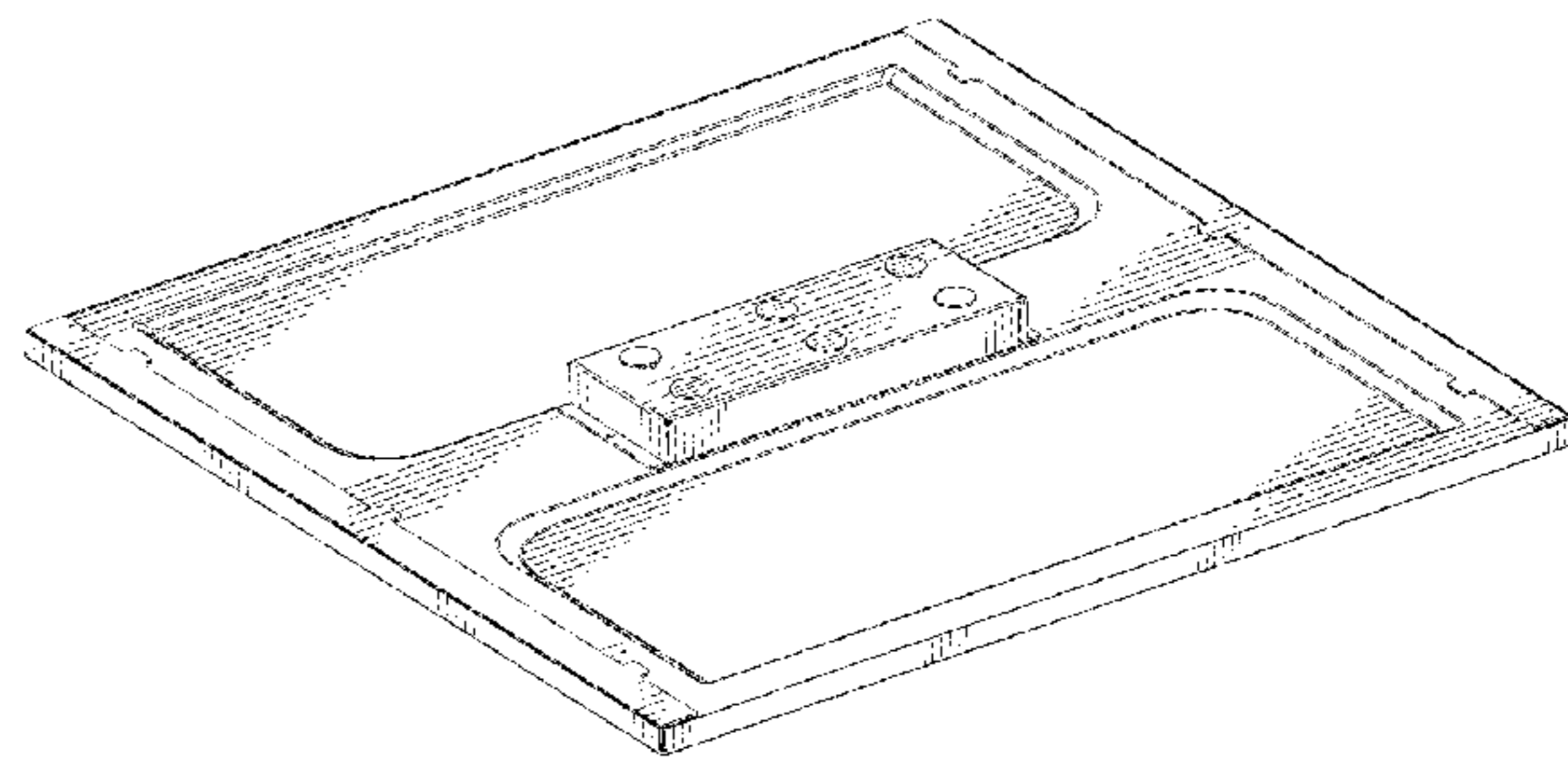
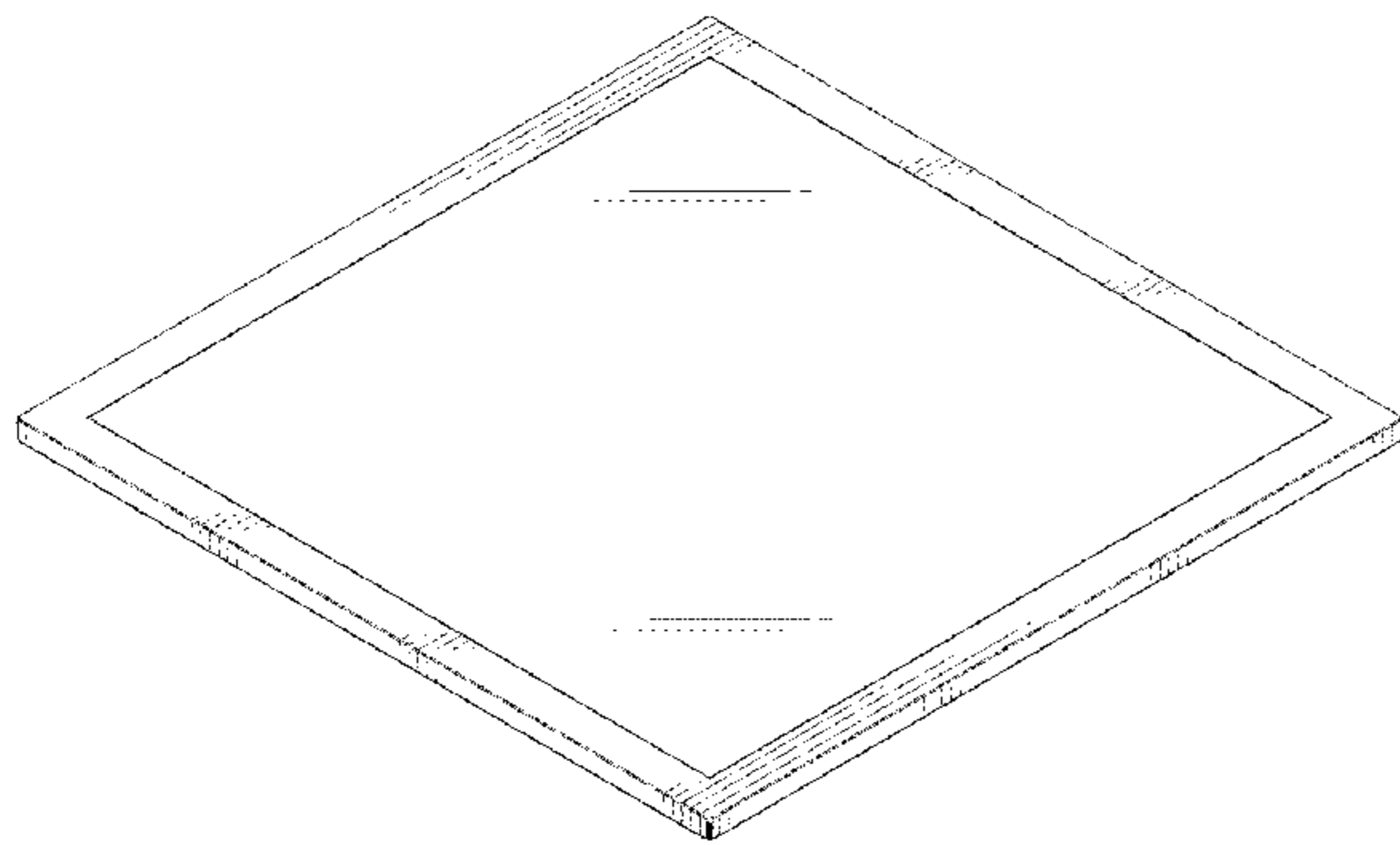
(57) **CLAIM**

The ornamental design for a ceiling light, as shown and described.

**DESCRIPTION**

FIG. 1 is a perspective view of a ceiling light;  
FIG. 2 is a front view thereof;  
FIG. 3 is a rear view thereof;  
FIG. 4 is a left side view thereof;  
FIG. 5 is a right side view thereof;  
FIG. 6 is a top plan view thereof;  
FIG. 7 is a bottom plan view thereof; and,  
FIG. 8 is another perspective view thereof.

**1 Claim, 7 Drawing Sheets**



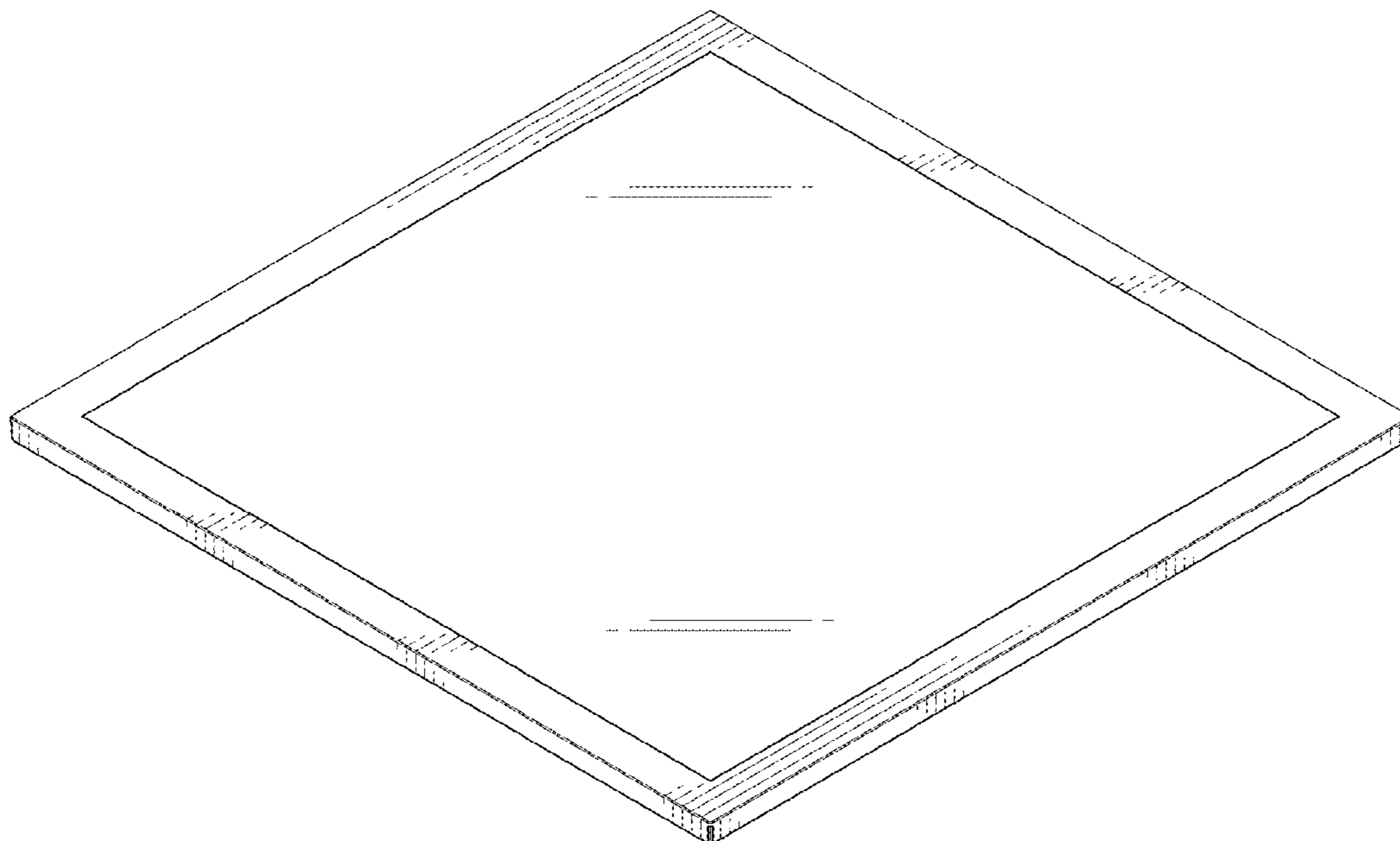


FIG. 1

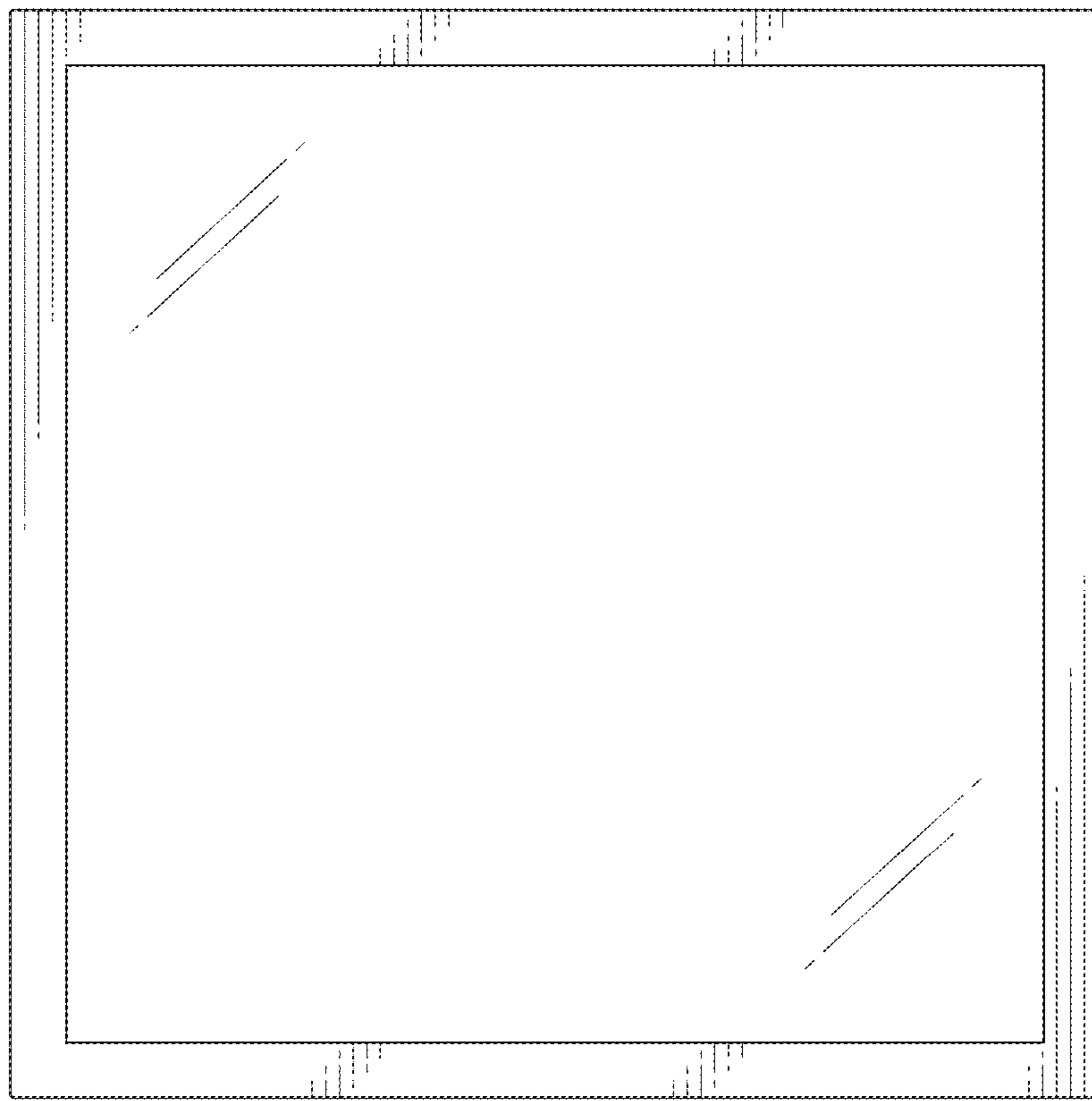


FIG. 2

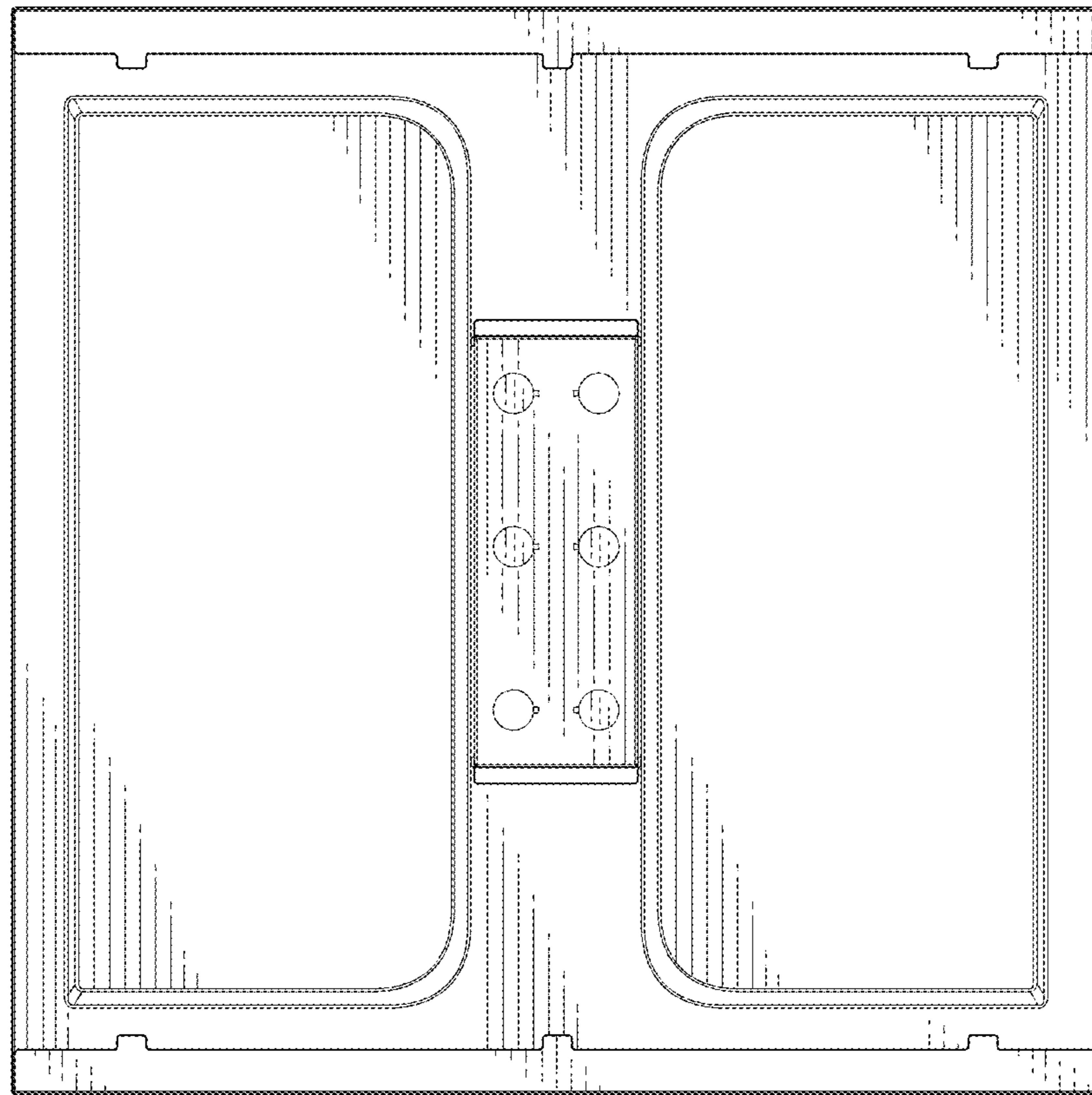


FIG. 3

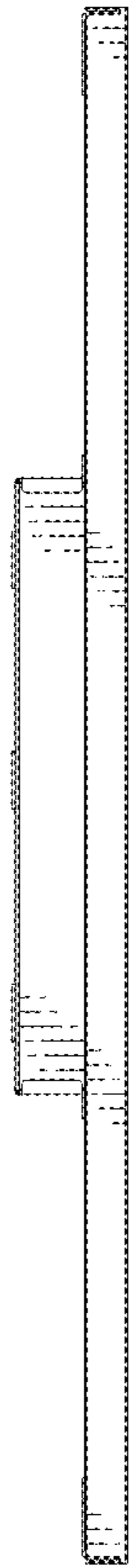


FIG. 4

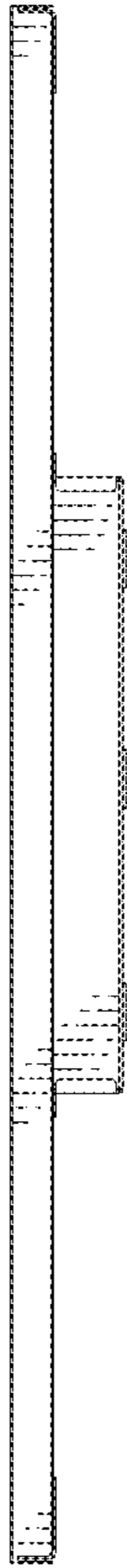


FIG. 5

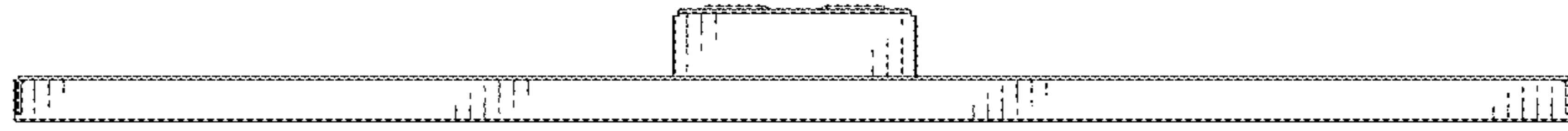


FIG. 6

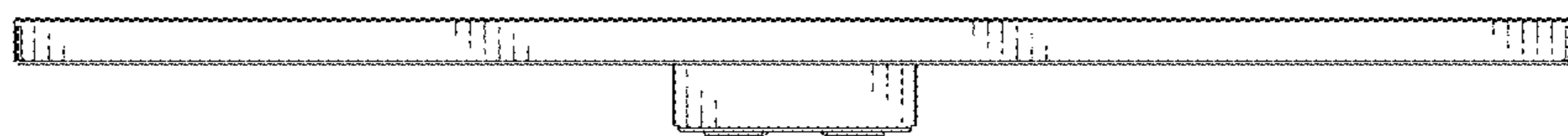


FIG. 7

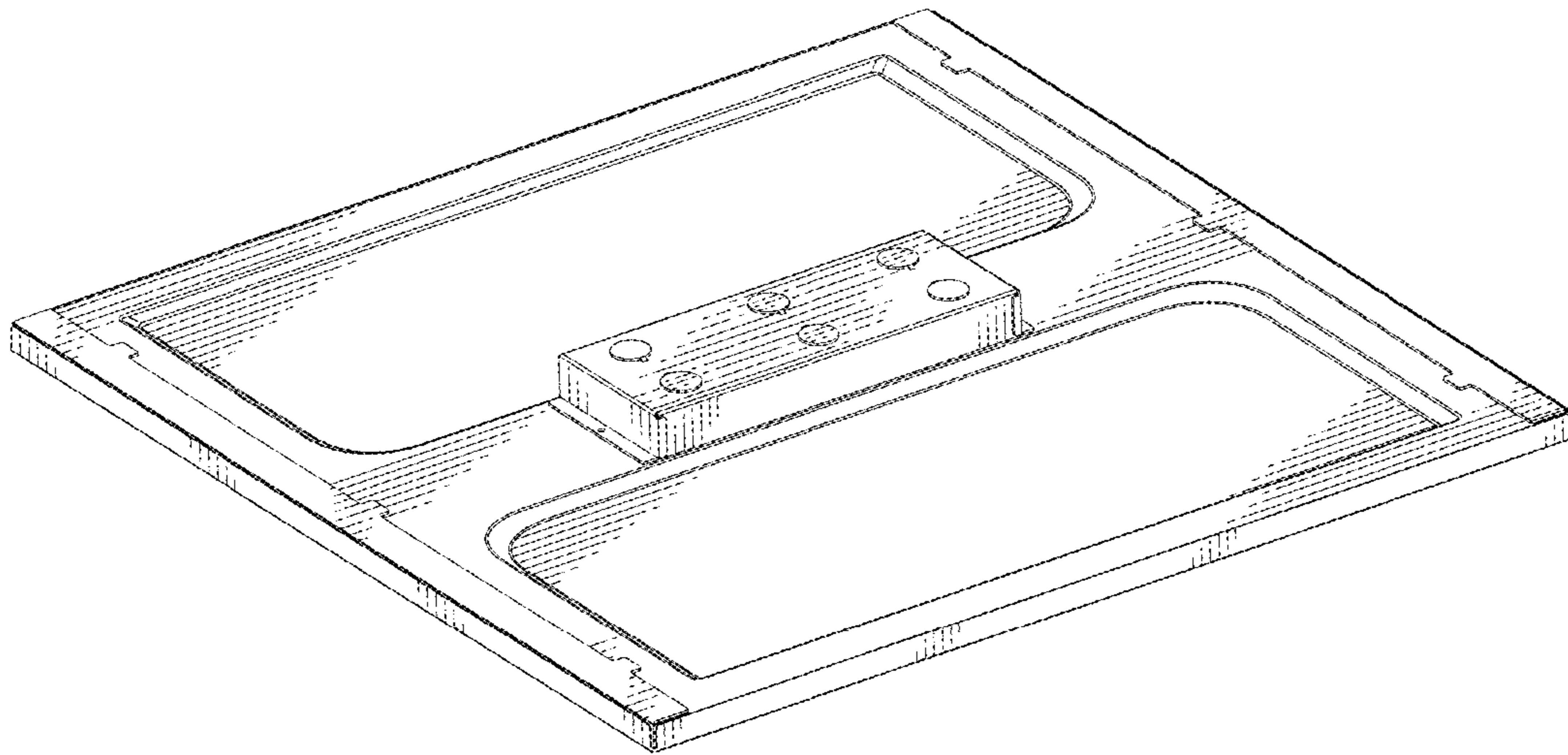


FIG. 8