



US00D770076S

(12) **United States Design Patent**
Li et al.

(10) **Patent No.:** **US D770,076 S**
(45) **Date of Patent:** **** Oct. 25, 2016**

(54) **CABINET LAMP**

(71) Applicant: **Zhongshan Winstar Electrical Co., Ltd.**, Zhongshan, Guangdong (CN)

(72) Inventors: **Yu Li**, Zhongshan (CN); **Nan Chun Chen**, Zhongshan (CN); **Feng Du**, Zhongshan (CN); **Hui Liang Xin**, Zhongshan (CN)

(73) Assignee: **ZHONGSHAN WINSTAR ELECTRICAL CO., LTD.**, Zhongshan (CN)

(**) Term: **15 Years**

(21) Appl. No.: **29/533,561**

(22) Filed: **Jul. 20, 2015**

(30) **Foreign Application Priority Data**

Mar. 25, 2015 (CN) 2015 3 0072669

(51) **LOC (10) Cl.** **26-03**

(52) **U.S. Cl.**
USPC **D26/89**

(58) **Field of Classification Search**
USPC D26/28, 67, 72, 83, 89, 91, 118
CPC F21S 8/04; F21S 8/033; F21S 8/036;
F21S 13/02

See application file for complete search history.

(56) **References Cited**

U.S. PATENT DOCUMENTS

D469,211 S * 1/2003 Homann D26/118
6,979,107 B1 * 12/2005 Benensohn F21S 8/02
362/133

D544,629 S * 6/2007 Benensohn D26/79
D601,744 S * 10/2009 Sakuma D26/89
D604,008 S * 11/2009 Soderman D26/89
D656,264 S * 3/2012 Janssen D26/85
D670,855 S * 11/2012 Turner D26/123
D712,082 S * 8/2014 Harpenau D26/74
D743,079 S * 11/2015 Adair D26/67
2010/0172143 A1 * 7/2010 Cunius F21S 8/04
362/373
2010/0208474 A1 * 8/2010 Hancock F21K 9/00
362/375
2014/0218900 A1 * 8/2014 Adair F21S 9/037
362/183
2015/0346413 A1 * 12/2015 Kadoriku G02B 6/0016
362/613

* cited by examiner

Primary Examiner — Clare E Heflin

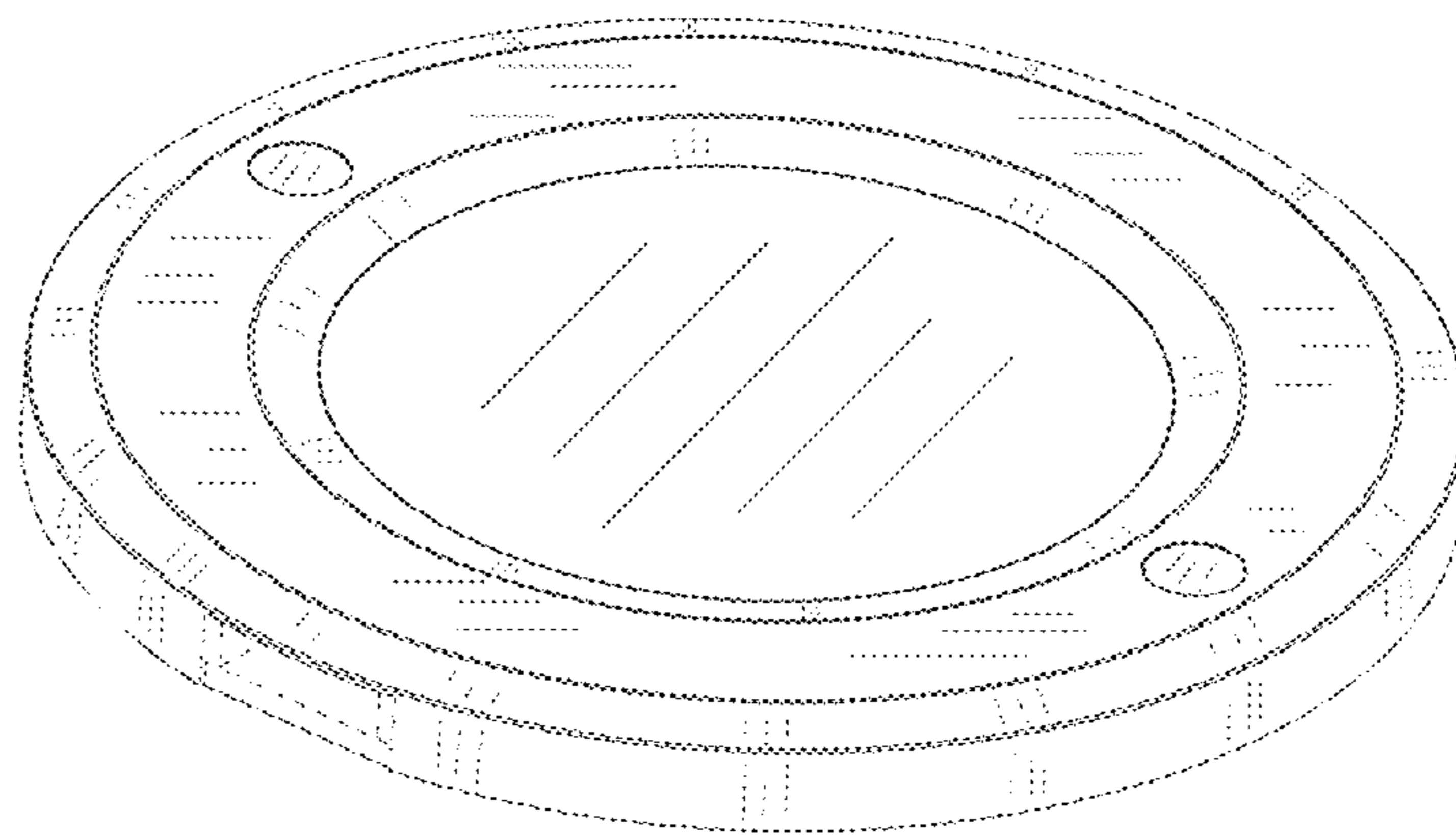
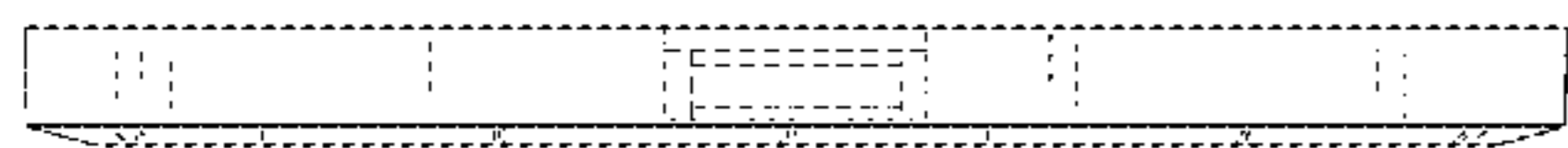
(57) **CLAIM**

The ornamental design for a cabinet lamp, as shown and described.

DESCRIPTION

FIG. 1 is a front elevational view of a cabinet lamp showing our new design;
FIG. 2 is a rear elevational view thereof;
FIG. 3 is a right side view thereof;
FIG. 4 is a left side view thereof;
FIG. 5 is a top plan view thereof;
FIG. 6 is a bottom plan view thereof; and,
FIG. 7 is a perspective view thereof.
The broken lines shown on the drawings depict portions of the cabinet lamp that form no part of the claimed design.

1 Claim, 7 Drawing Sheets



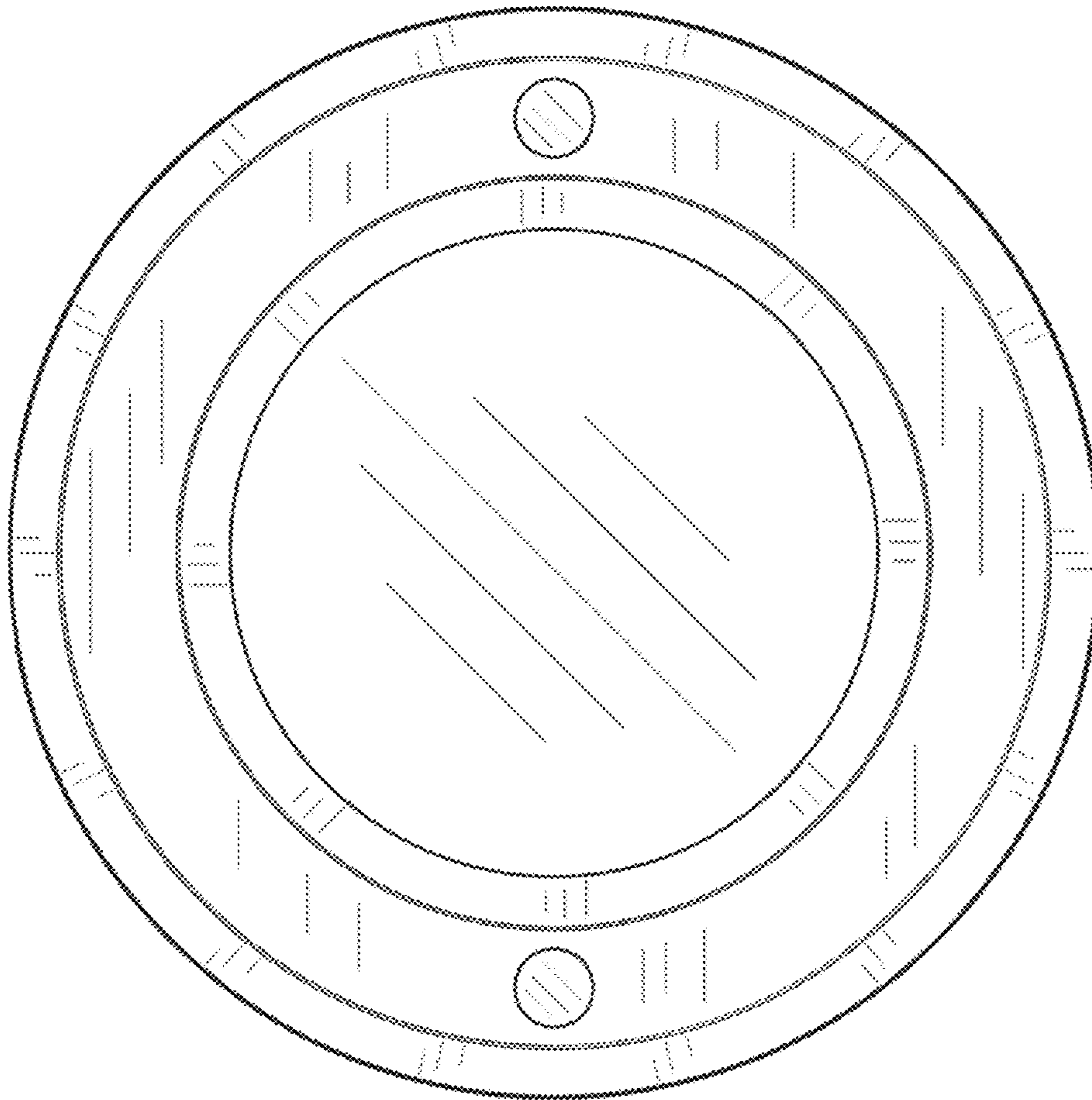


Fig 1

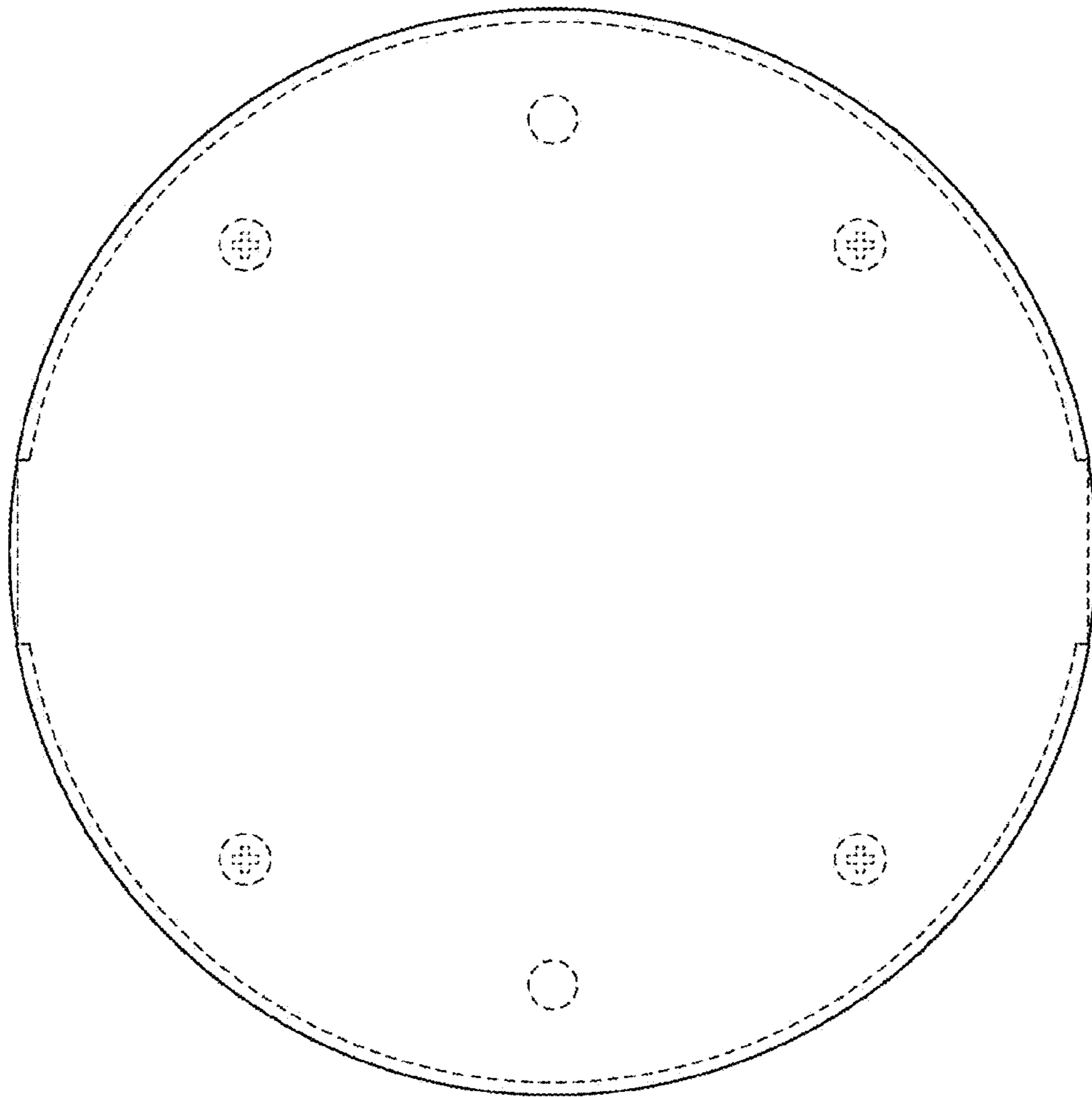


Fig 2

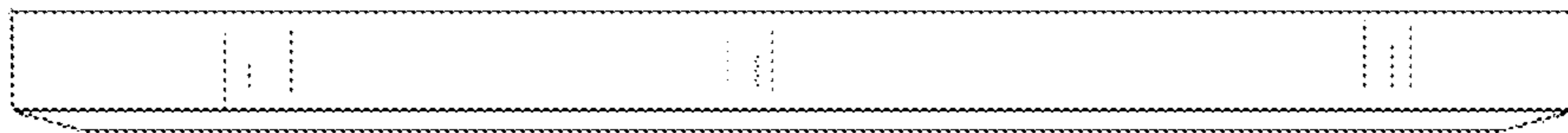


Fig. 3

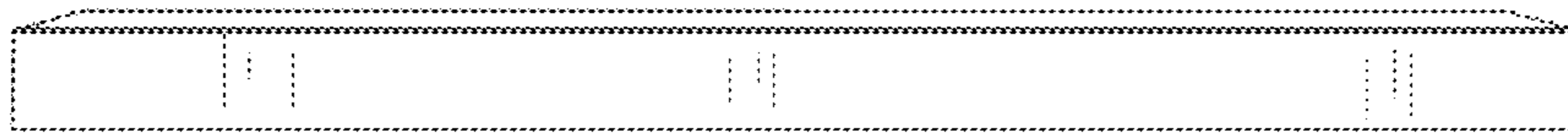


Fig 4

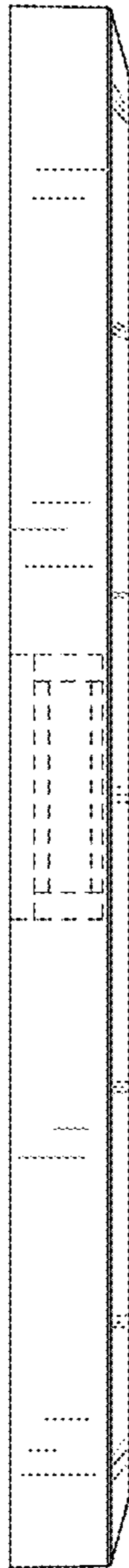


Fig 5

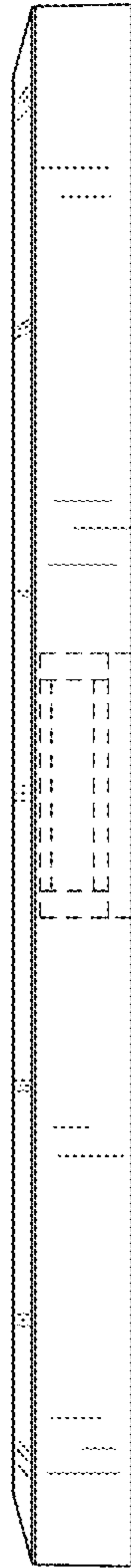


Fig 6

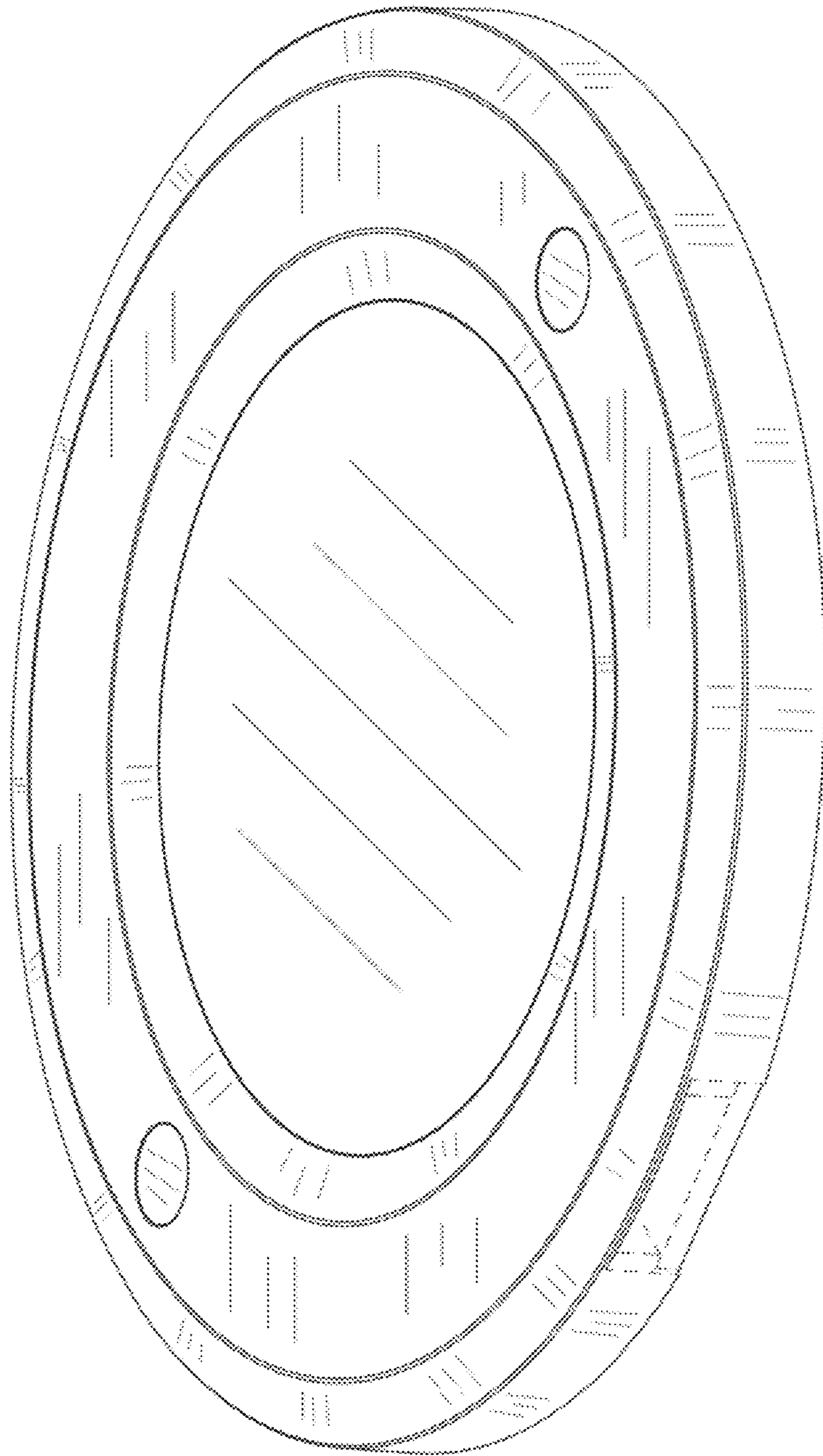


Fig 7