

US00D770075S

(12) **United States Design Patent**
Huang et al.

(10) **Patent No.:** **US D770,075 S**

(45) **Date of Patent:** **** Oct. 25, 2016**

(54) **EMERGENCY LAMP**

(71) Applicants: **Alex Huang**, Guangdong Province (CN); **Qiusheng Chen**, Guangdong Province (CN)

(72) Inventors: **Alex Huang**, Guangdong Province (CN); **Qiusheng Chen**, Guangdong Province (CN)

(**) Term: **14 Years**

(21) Appl. No.: **29/523,420**

(22) Filed: **Apr. 9, 2015**

(30) **Foreign Application Priority Data**

Feb. 9, 2015 (CN) 2015 3 0038299

(51) **LOC (10) Cl.** **26-05**

(52) **U.S. Cl.**
USPC **D26/74**

(58) **Field of Classification Search**
USPC D26/74, 72, 75, 76, 77, 78, 85, 88, 89, D26/118, 138, 141; 362/364, 365, 373, 145, 362/146, 147, 148, 150, 153, 153.1, 294, 362/296.01, 296.07, 296.08
CPC F21V 29/2262; F21V 7/06; F21V 21/044; F21V 21/047; F21V 29/2212; F21V 29/2225; F21V 29/2256; F21V 29/225; F21V 29/2268; F21Y 2111/002; F21S 8/02; F21S 8/026
See application file for complete search history.

(56) **References Cited**

U.S. PATENT DOCUMENTS

D545,487 S * 6/2007 Bynum D26/120
D628,733 S * 12/2010 Cobb, III D26/74
D646,829 S * 10/2011 Pan D26/74
D662,642 S * 6/2012 Huang D26/74
D663,881 S * 7/2012 Janssen D26/74

D668,375 S * 10/2012 Daniels D26/89
D677,418 S * 3/2013 Wilson D26/74
D691,318 S * 10/2013 Wilcox D26/85
D691,319 S * 10/2013 Guercio D26/85
D702,868 S * 4/2014 Patel D26/74

* cited by examiner

Primary Examiner — Angela J Lee

(74) *Attorney, Agent, or Firm* — Rahman LLC

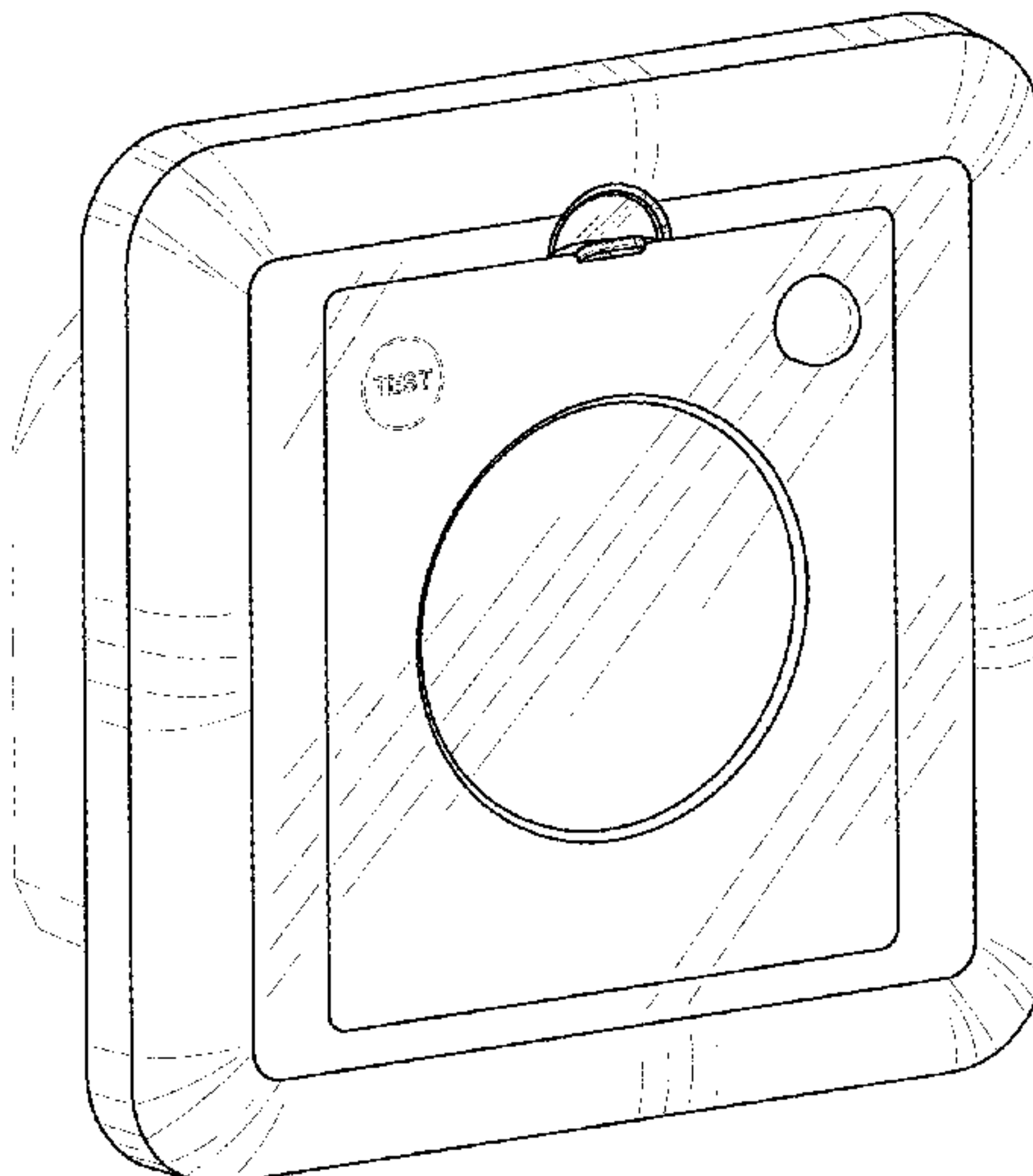
(57) **CLAIM**

The ornamental design for an emergency lamp, as shown and described.

DESCRIPTION

FIG. 1 is a perspective view of an emergency lamp showing our new design;
FIG. 2 is a back perspective view thereof;
FIG. 3 is a front view thereof;
FIG. 4 is a back view thereof;
FIG. 5 is a right side view thereof;
FIG. 6 is a left side view thereof;
FIG. 7 is a top view thereof;
FIG. 8 is a bottom view thereof;
FIG. 9 is a perspective view of the emergency lamp showing a movable portion thereof deployed;
FIG. 10 is a back perspective view thereof with the movable portion deployed;
FIG. 11 is a front view thereof with the movable portion deployed;
FIG. 12 is a right side view thereof with the movable portion deployed;
FIG. 13 is a left side view thereof with the movable portion deployed; and,
FIG. 14 is a top view thereof with the movable portion deployed.
The broken lines shown represent unclaimed subject matter and form no part of the claimed design.

1 Claim, 14 Drawing Sheets



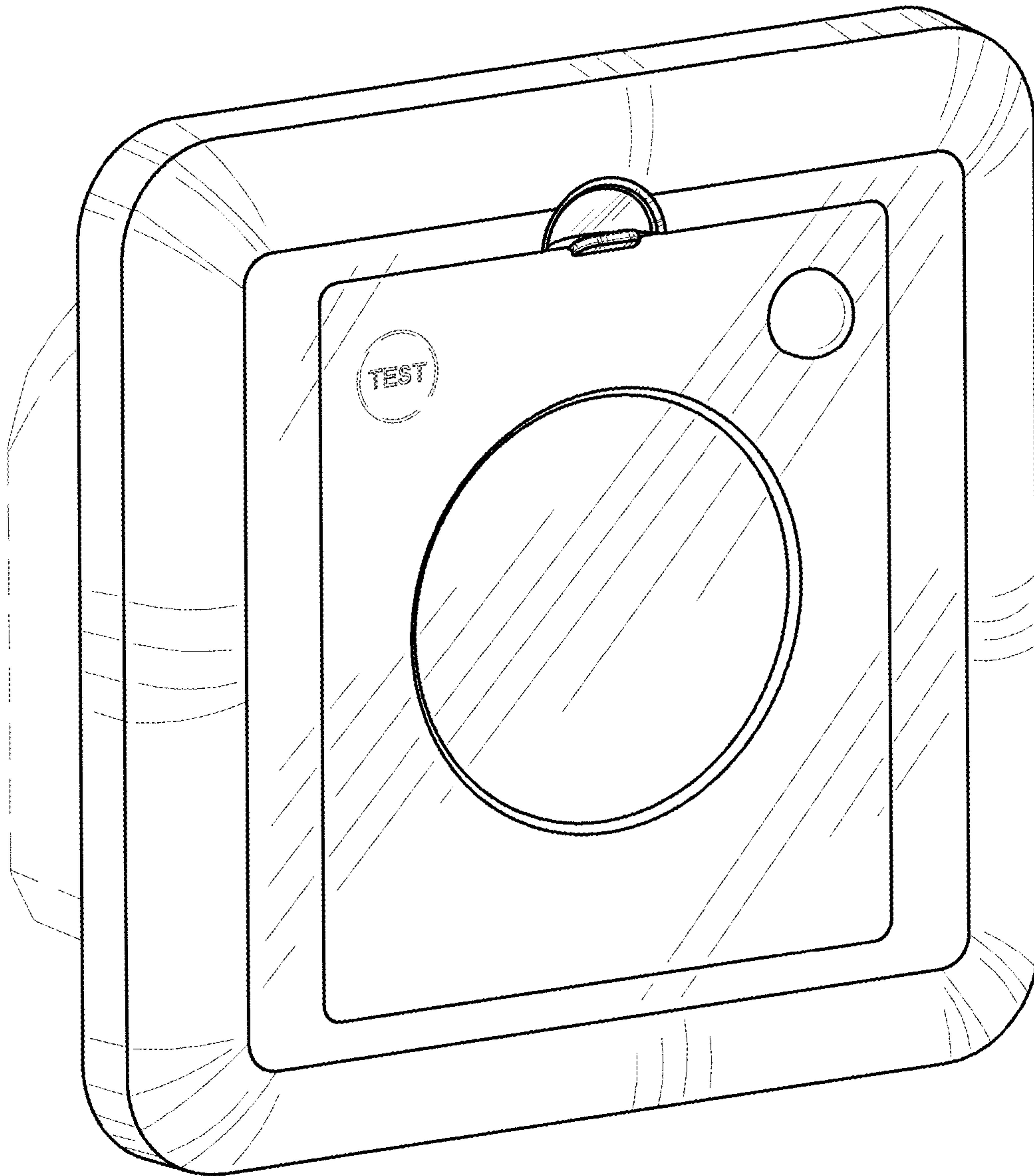


Fig. 1

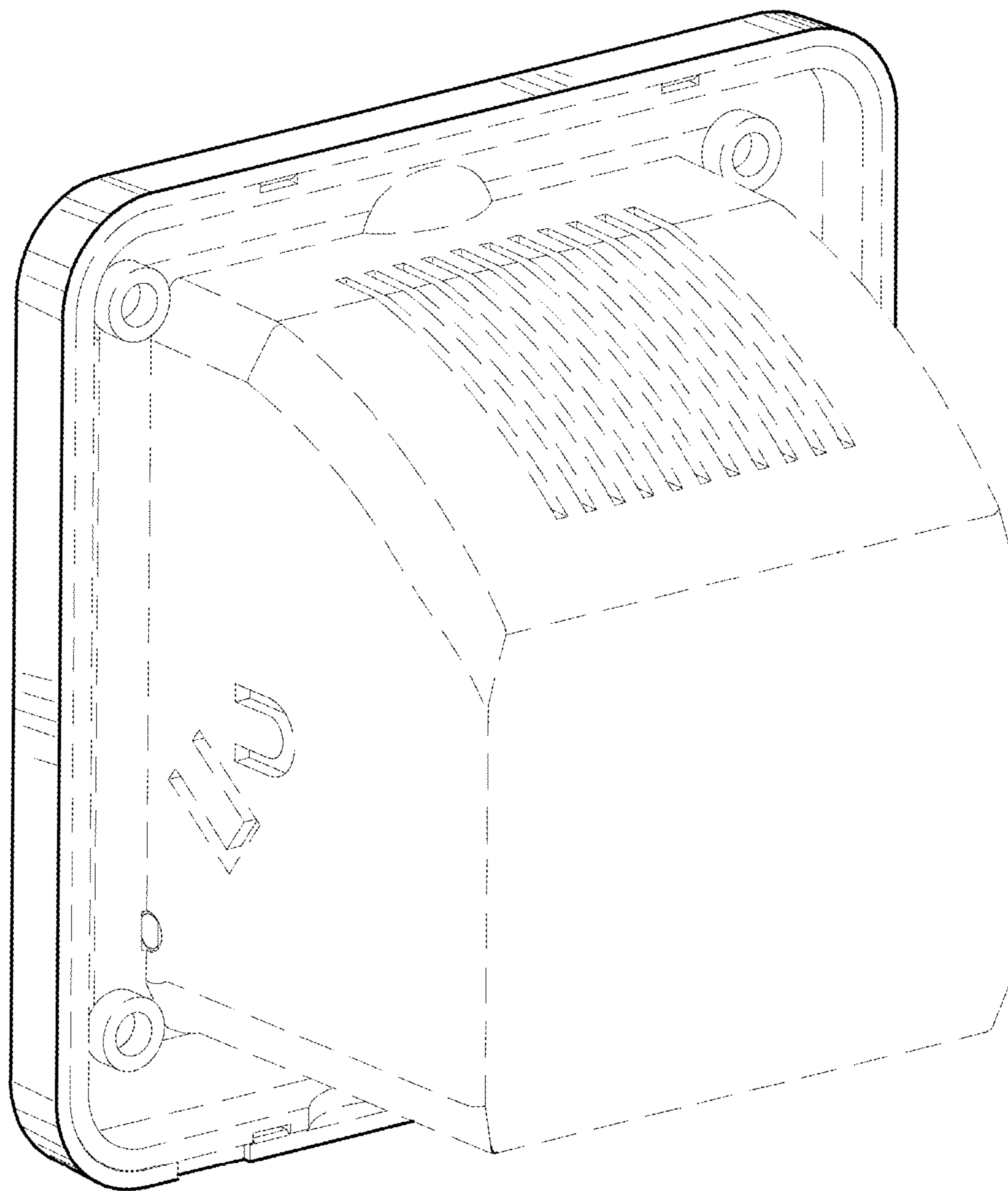


Fig.2

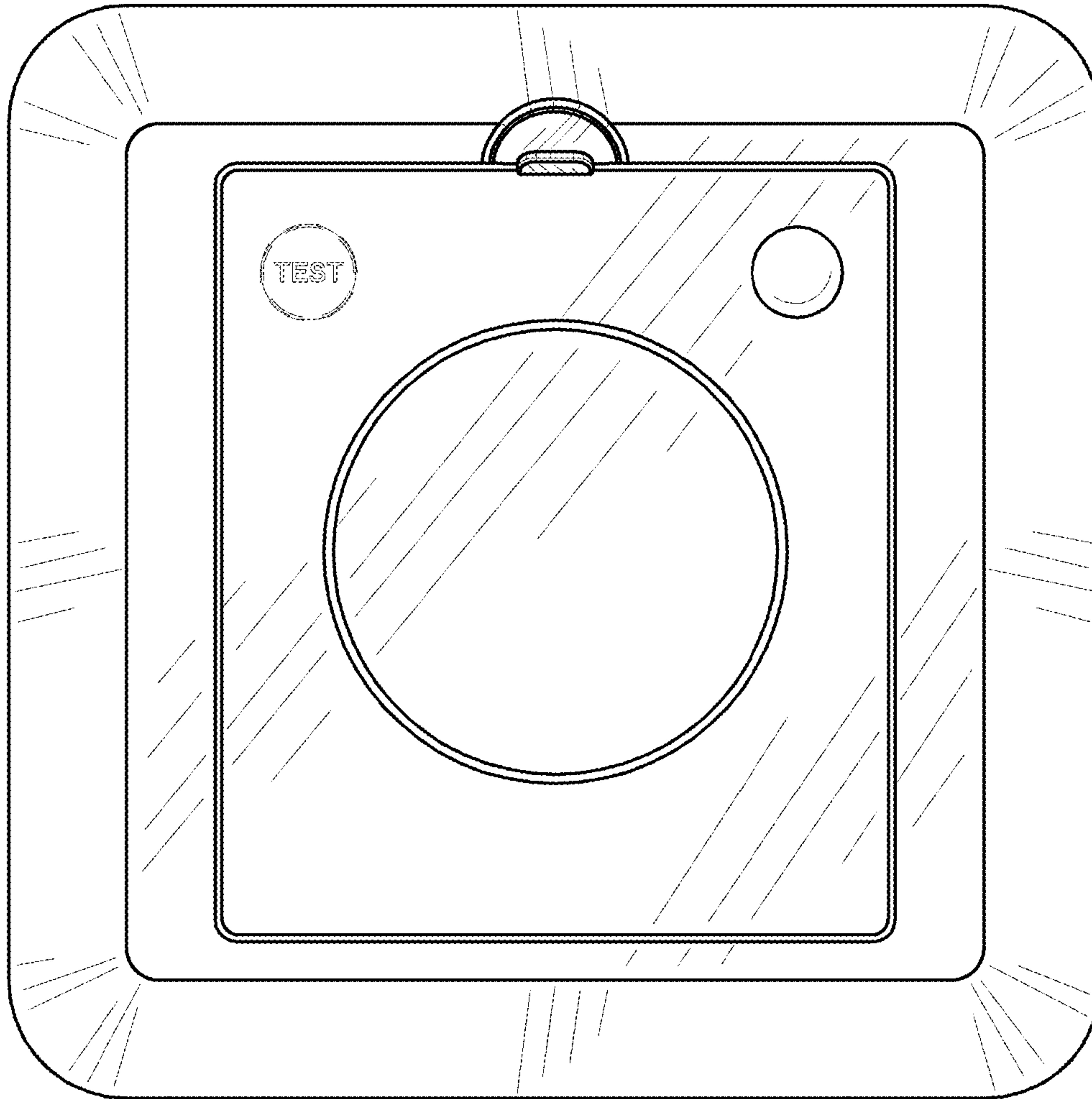


Fig.3

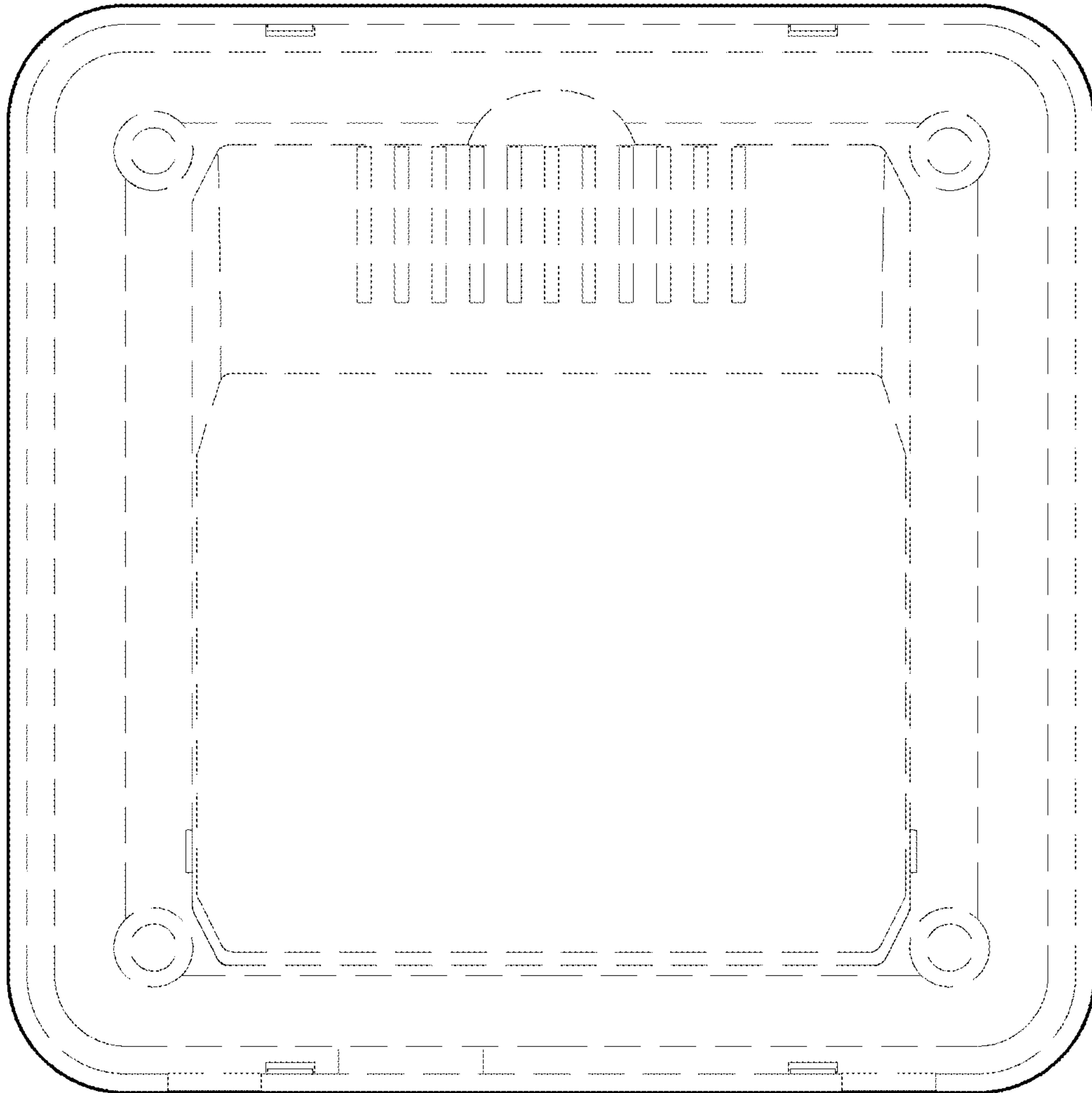


Fig.4

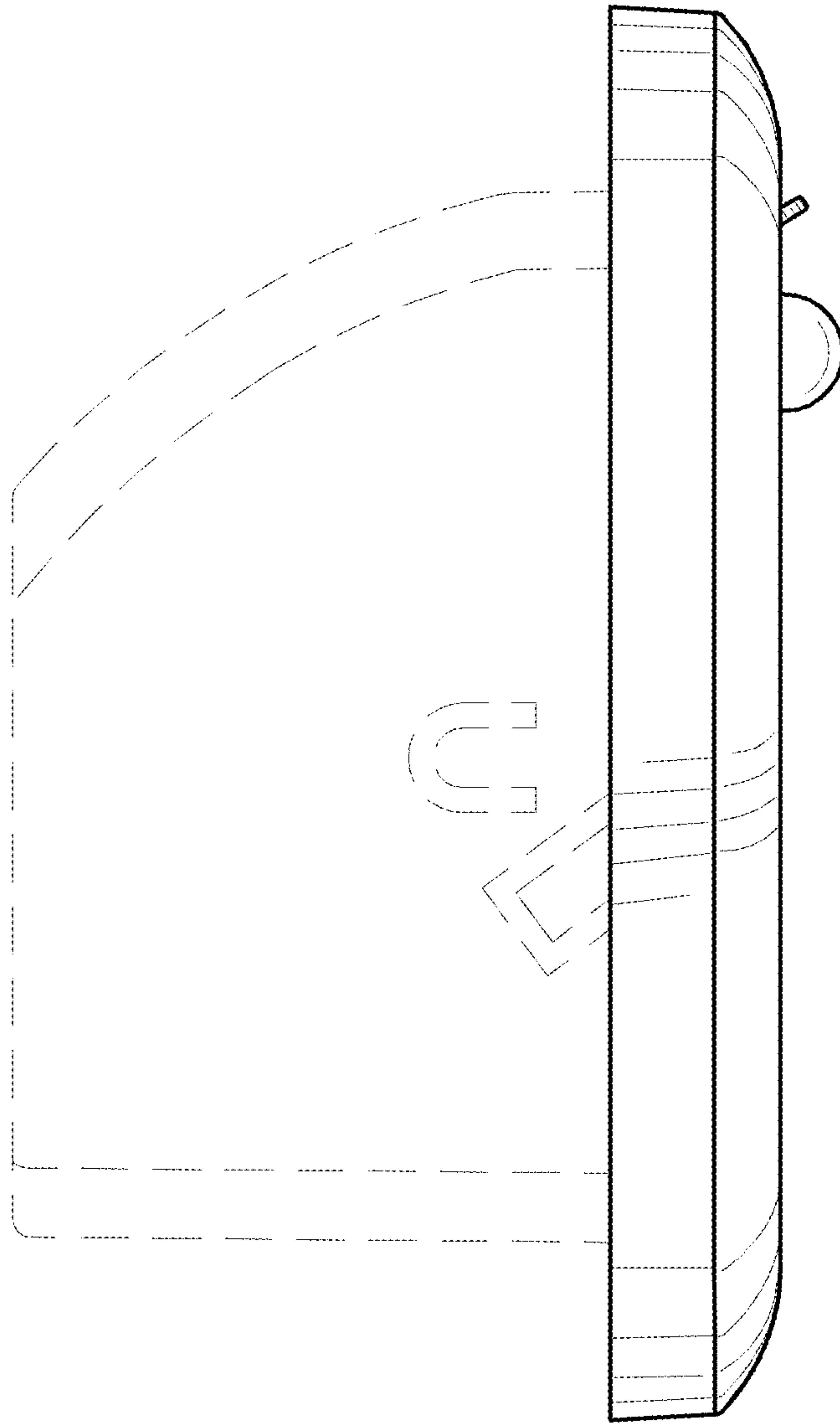


Fig.5

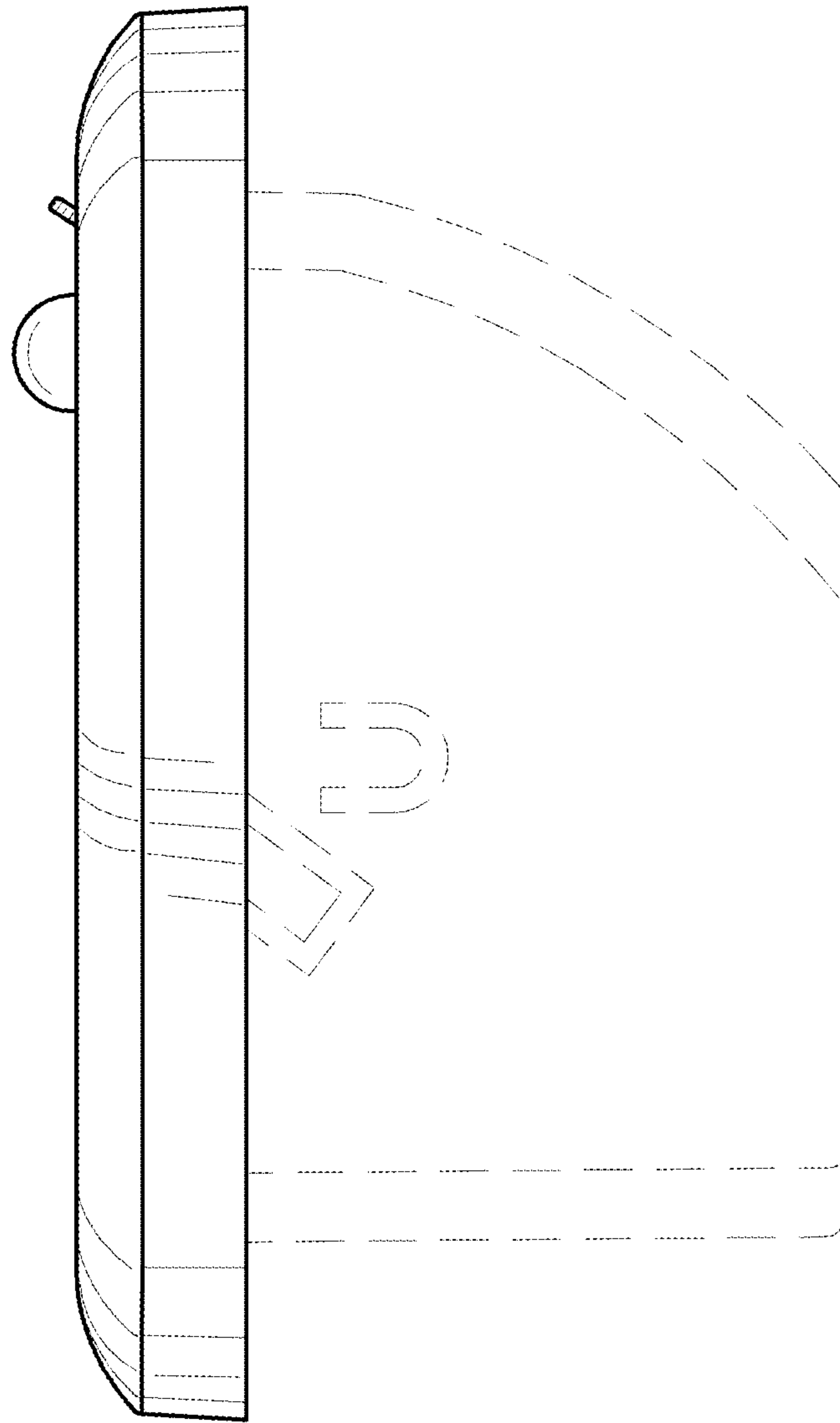


Fig.6

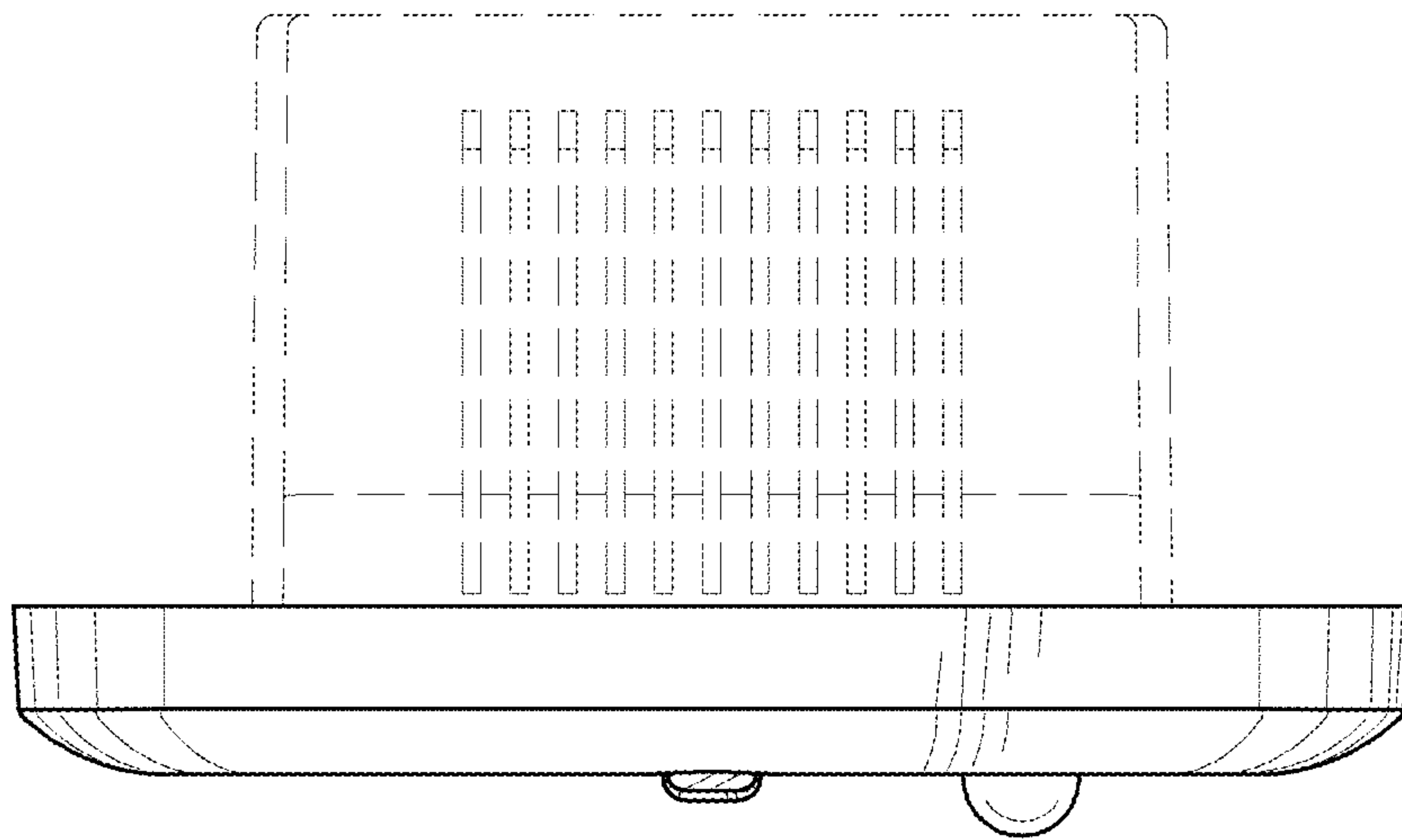


Fig.7

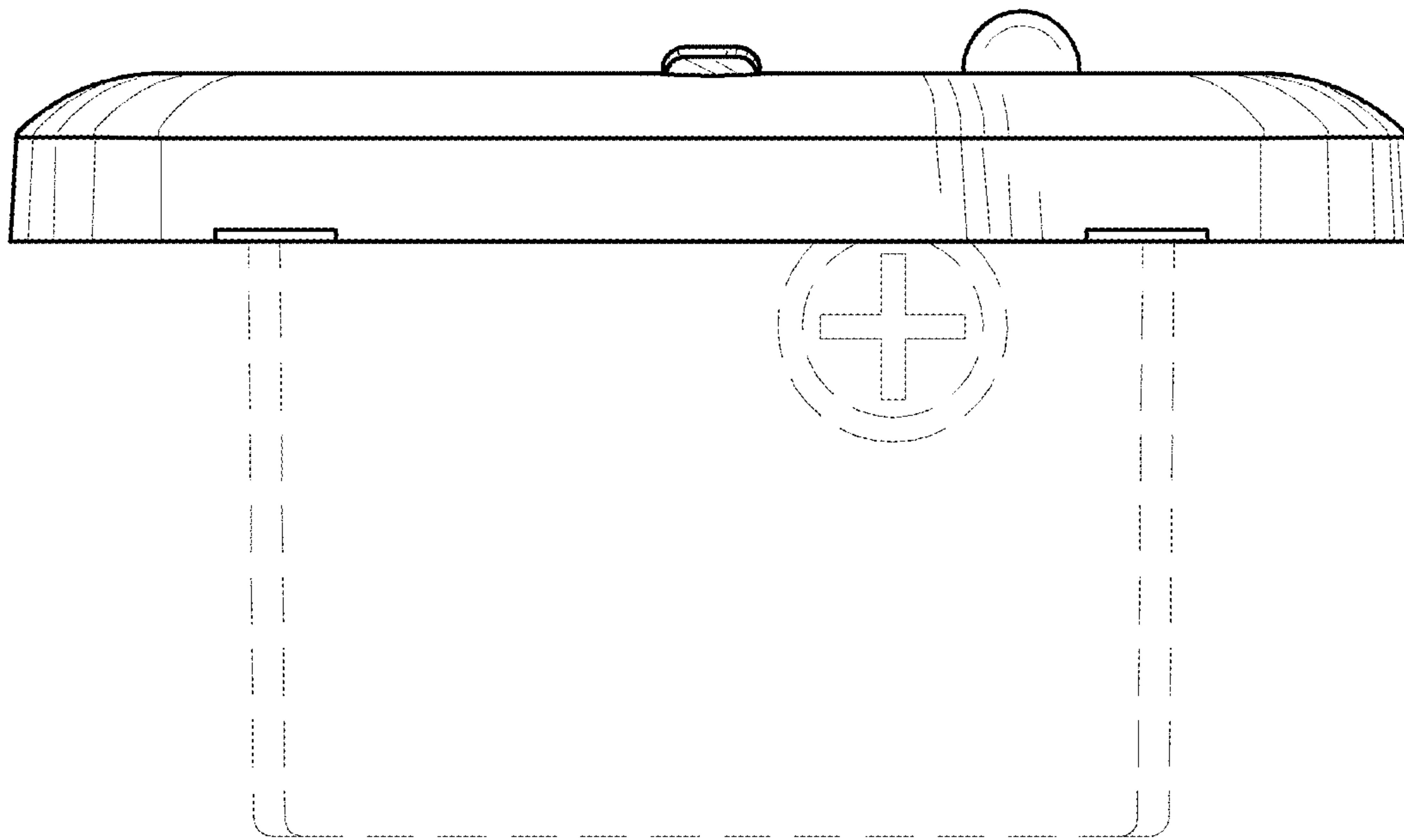


Fig.8

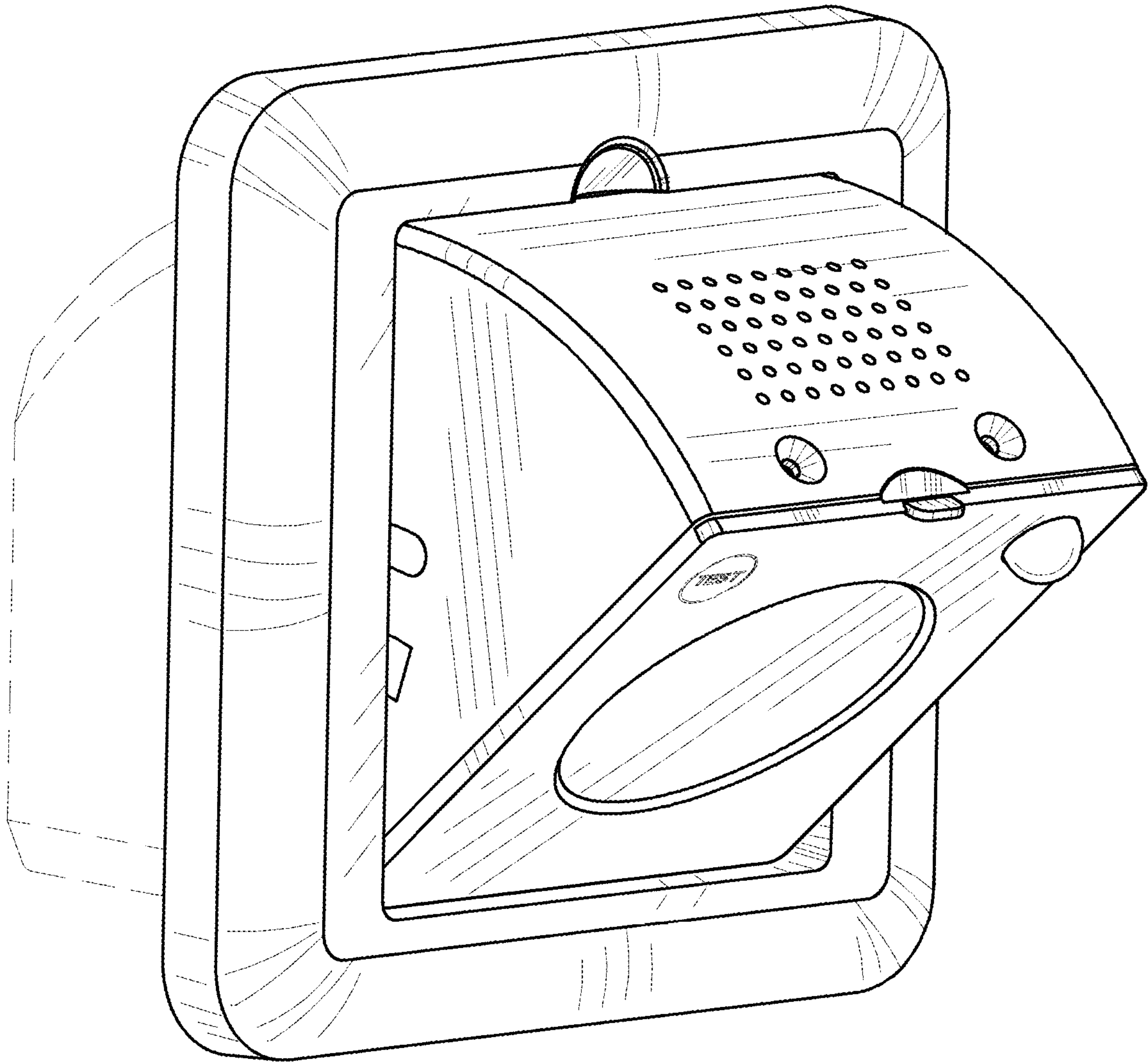


Fig.9

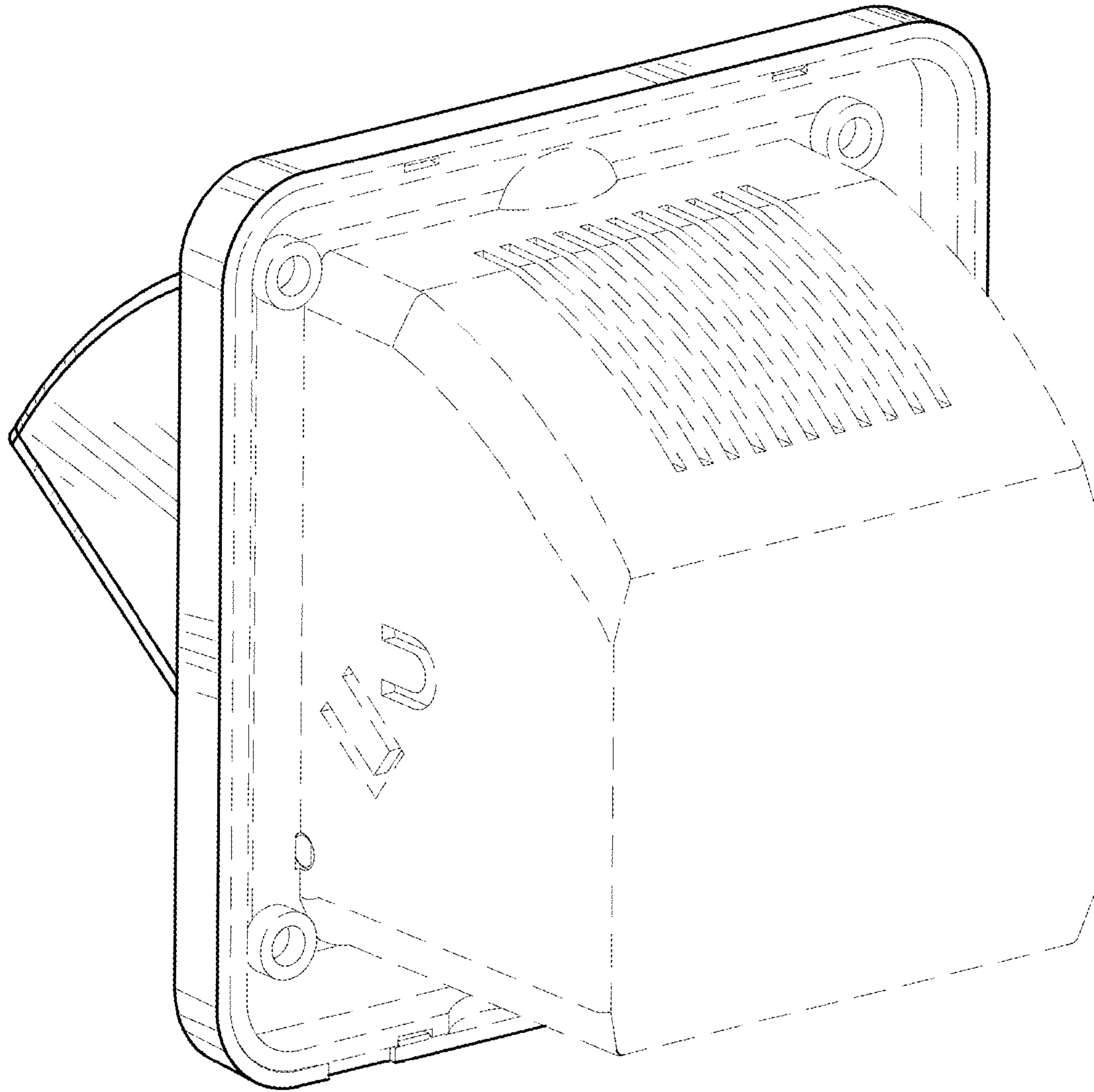


Fig. 10

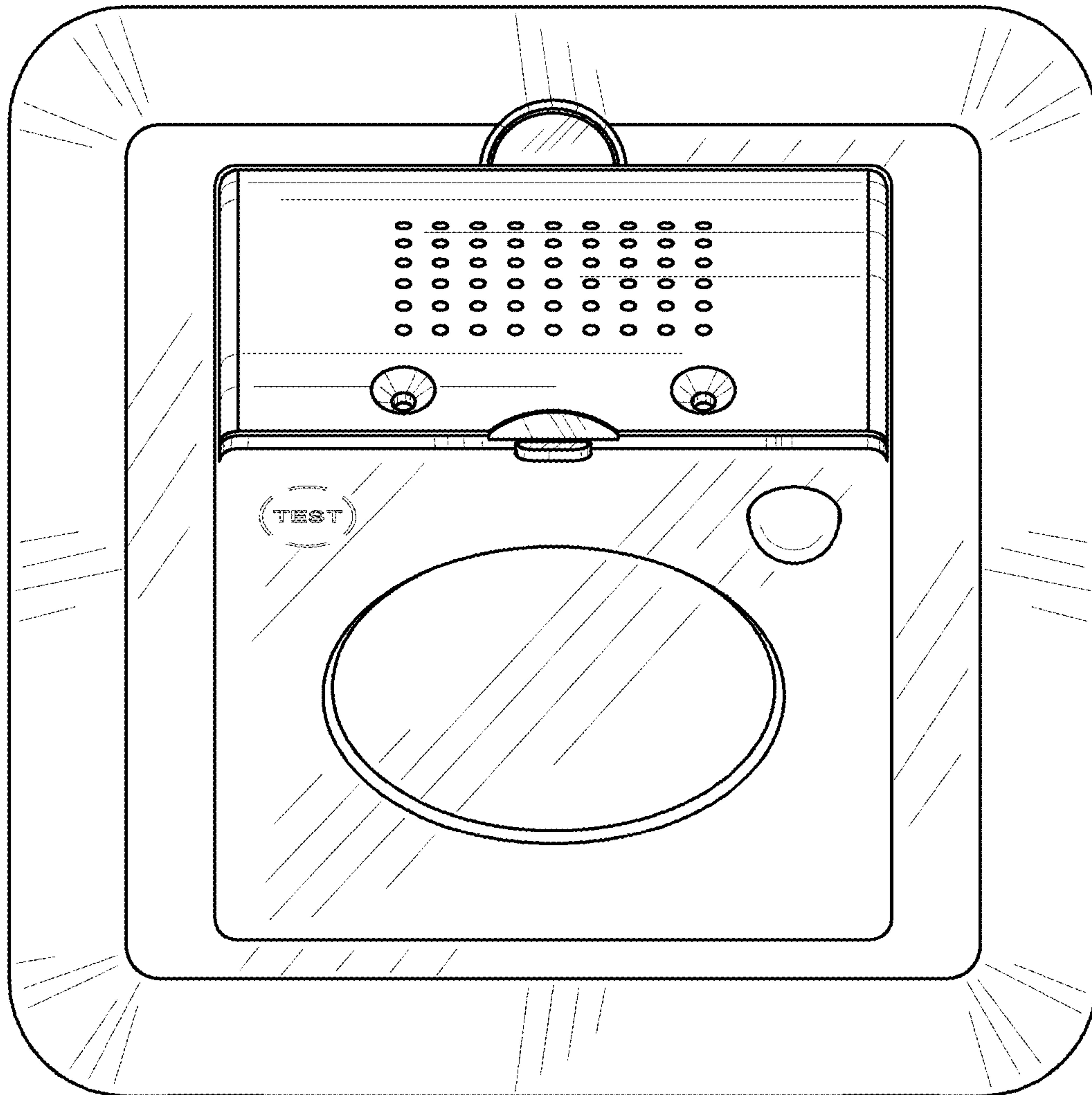


Fig. 11

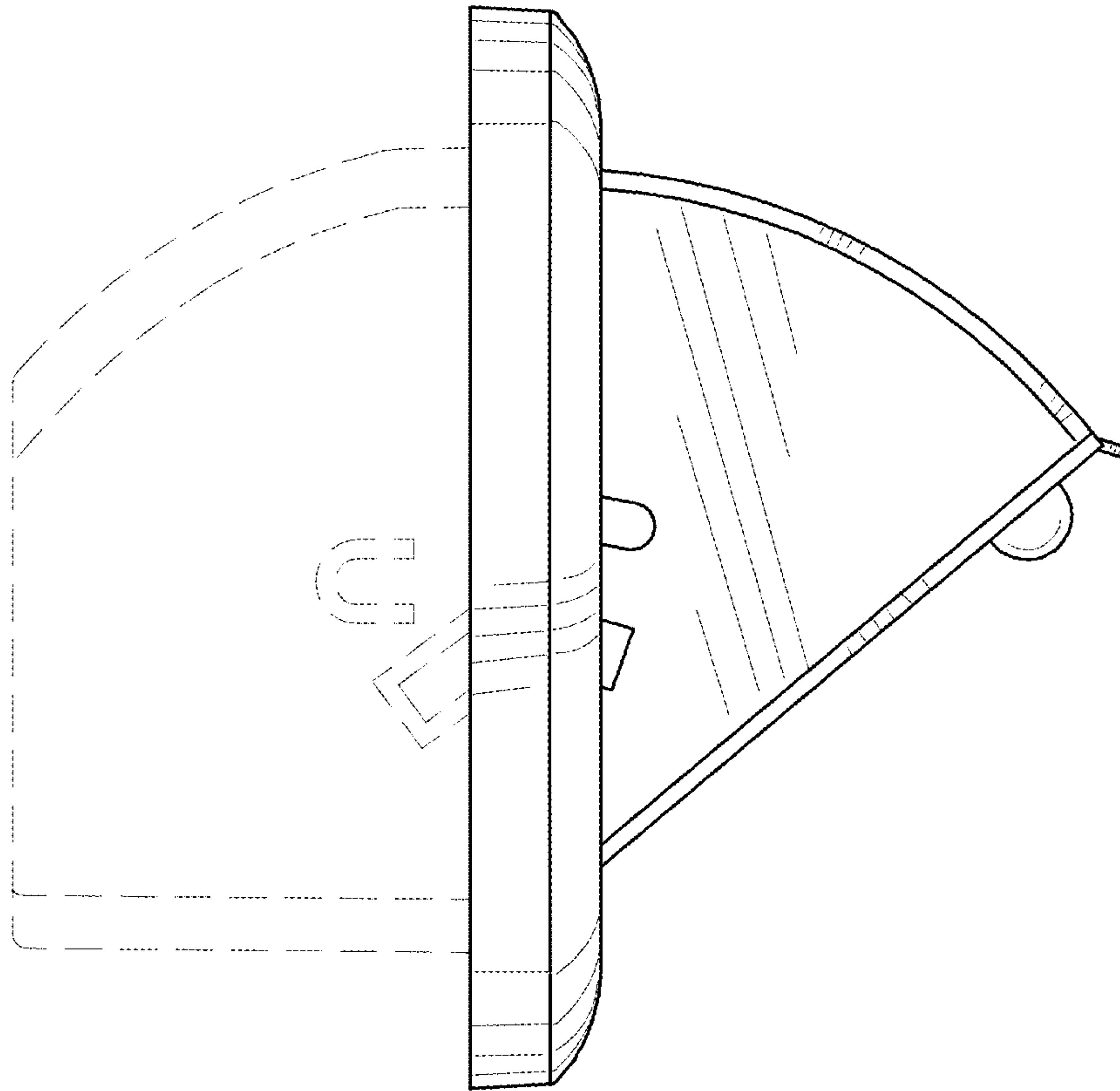


Fig. 12

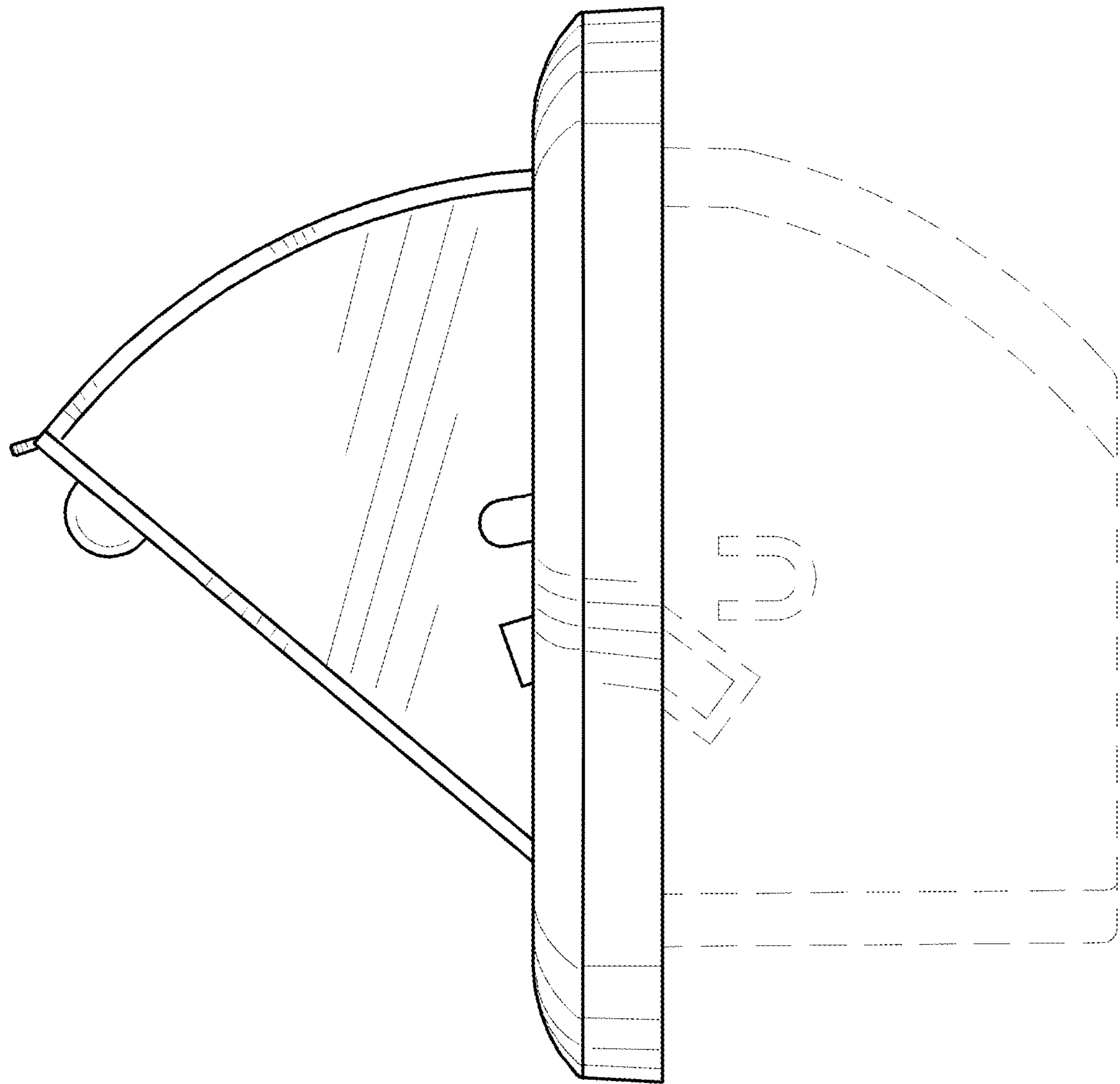


Fig.13

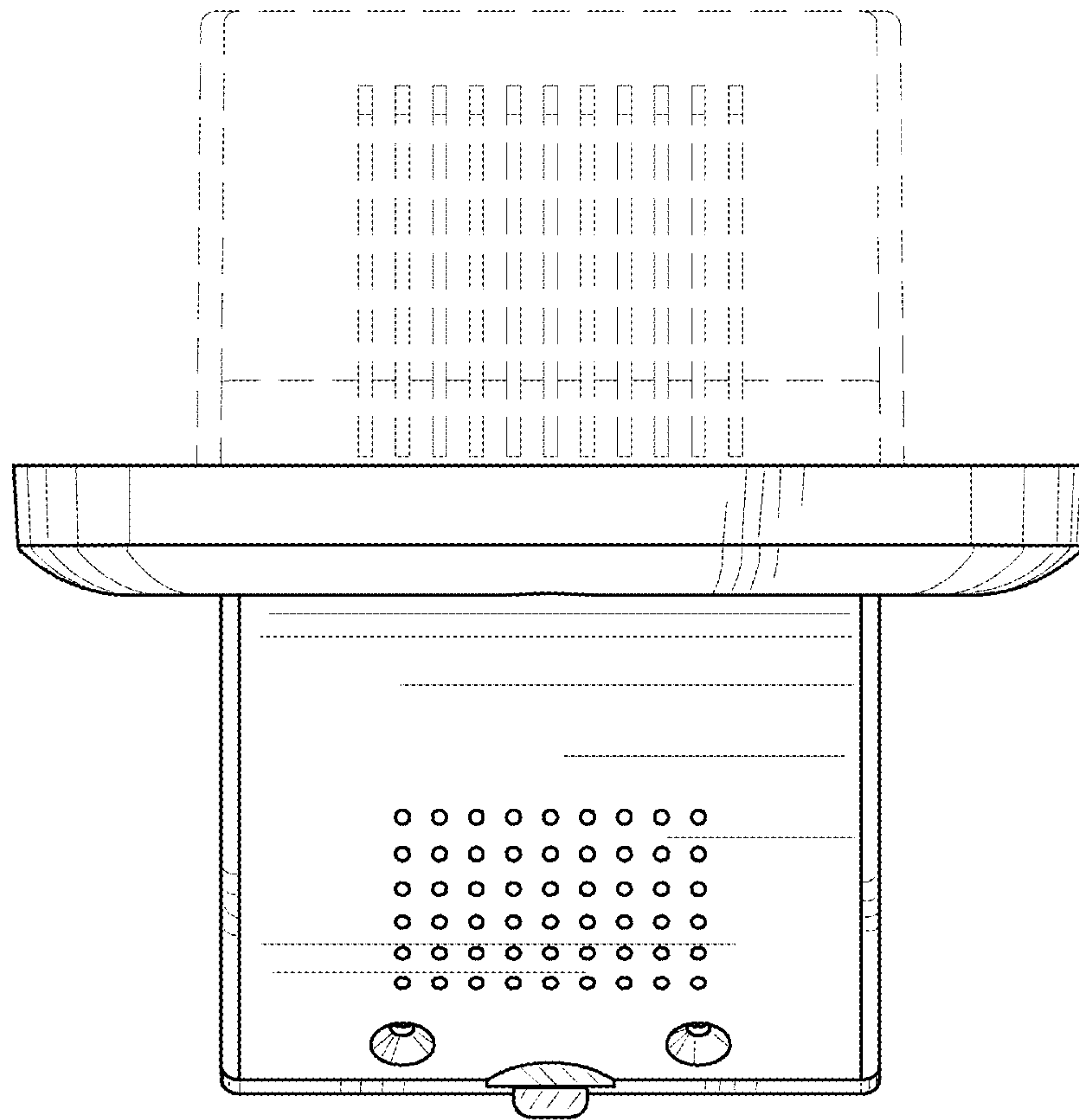


Fig.14