



US00D770074S

(12) **United States Design Patent**  
**Romano et al.**

(10) **Patent No.:** **US D770,074 S**  
(45) **Date of Patent:** **\*\* Oct. 25, 2016**

(54) **SOLID STATE LIGHTING FIXTURE**

(71) Applicant: **Hubbell Incorporated**, Shelton, CT  
(US)

(72) Inventors: **Perry Romano**, Bradenton, FL (US);  
**Adam Joseph Clark**, Bradenton, FL  
(US)

(73) Assignee: **Hubbell Incorporated**, Shelton, CT  
(US)

(\*\*) Term: **14 Years**

(21) Appl. No.: **29/525,684**

(22) Filed: **May 1, 2015**

(51) **LOC (10) Cl.** ..... **26-05**

(52) **U.S. Cl.**  
USPC ..... **D26/71; D26/63**

(58) **Field of Classification Search**  
USPC ..... D26/67-71, 92, 63  
CPC ..... F21S 9/03; F21S 8/085; F21S 8/086;  
F21W 2131/103; F21V 15/01  
See application file for complete search history.

(56) **References Cited**

**U.S. PATENT DOCUMENTS**

D650,110 S	*	12/2011	Zhu	.....	D26/71
D676,178 S	*	2/2013	Akinrele	.....	D26/71
D694,935 S	*	12/2013	Zheng	.....	D26/71
D695,438 S	*	12/2013	Liu	.....	D26/71

D709,236 S	*	7/2014	Ku	.....	D26/71
D710,046 S	*	7/2014	Mocek	.....	D26/71
D717,989 S	*	11/2014	Heim	.....	D26/71
D743,088 S	*	11/2015	Snell	.....	D26/92
D747,527 S	*	1/2016	Guercio	.....	D26/71
2013/0088864 A1	*	4/2013	Verdes	.....	F21V 29/004 362/235

\* cited by examiner

*Primary Examiner* — Clare E Hefflin

(74) *Attorney, Agent, or Firm* — Dilworth IP, LLC

(57) **CLAIM**

The ornamental design for a solid state lighting fixture, as shown and described.

**DESCRIPTION**

FIG. 1 is a first side perspective view of the new design for a solid state lighting fixture in accordance with the present invention;

FIG. 2 is a top plan view of the solid state lighting fixture shown in FIG. 1;

FIG. 3 is a bottom plan view of the solid state lighting fixture shown in FIG. 1;

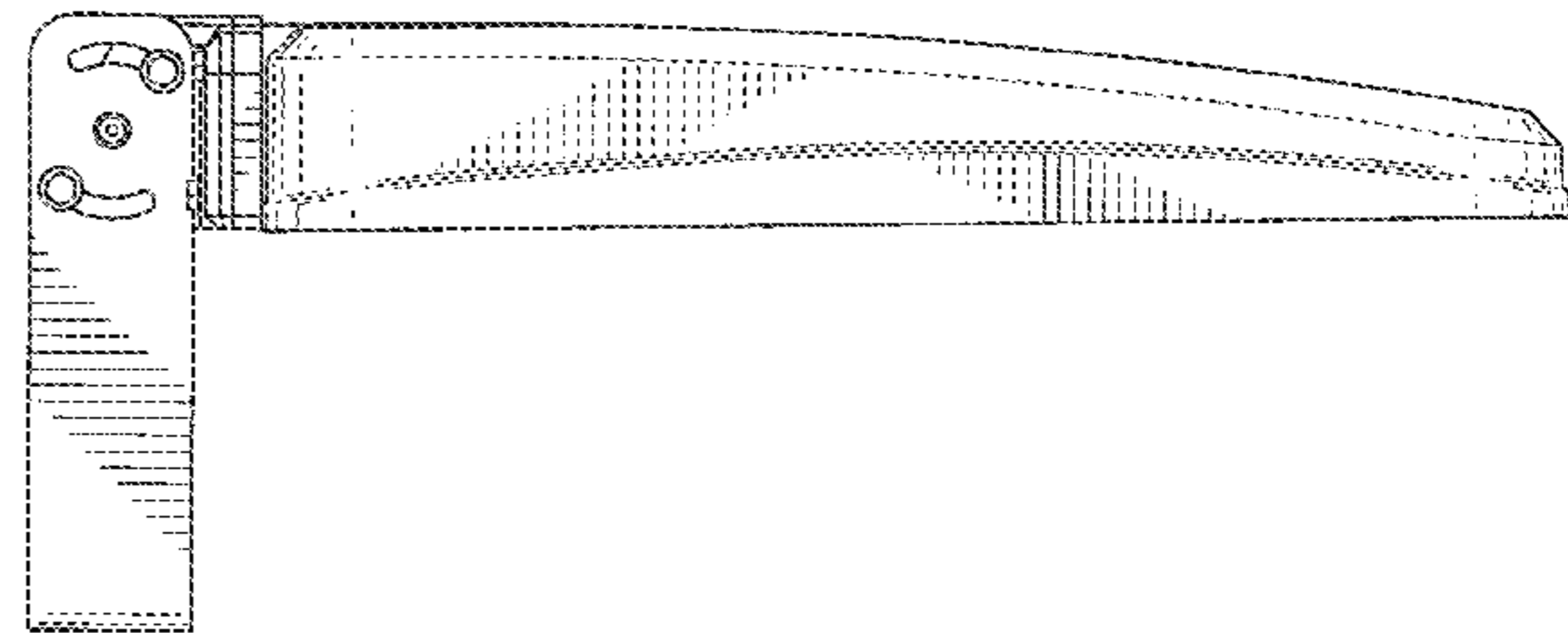
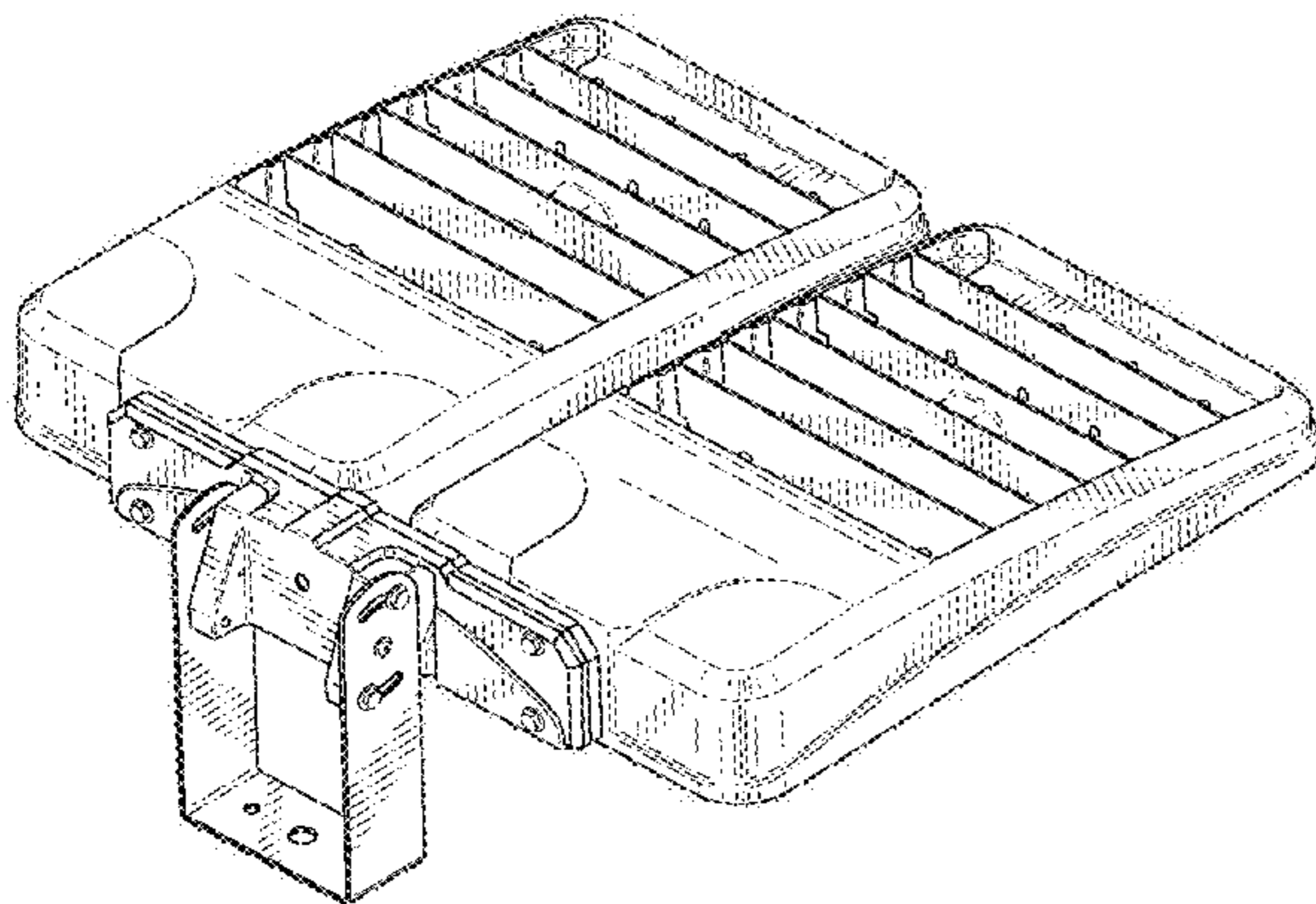
FIG. 4 is a side elevation view of a second side of the solid state lighting fixture shown in FIG. 1;

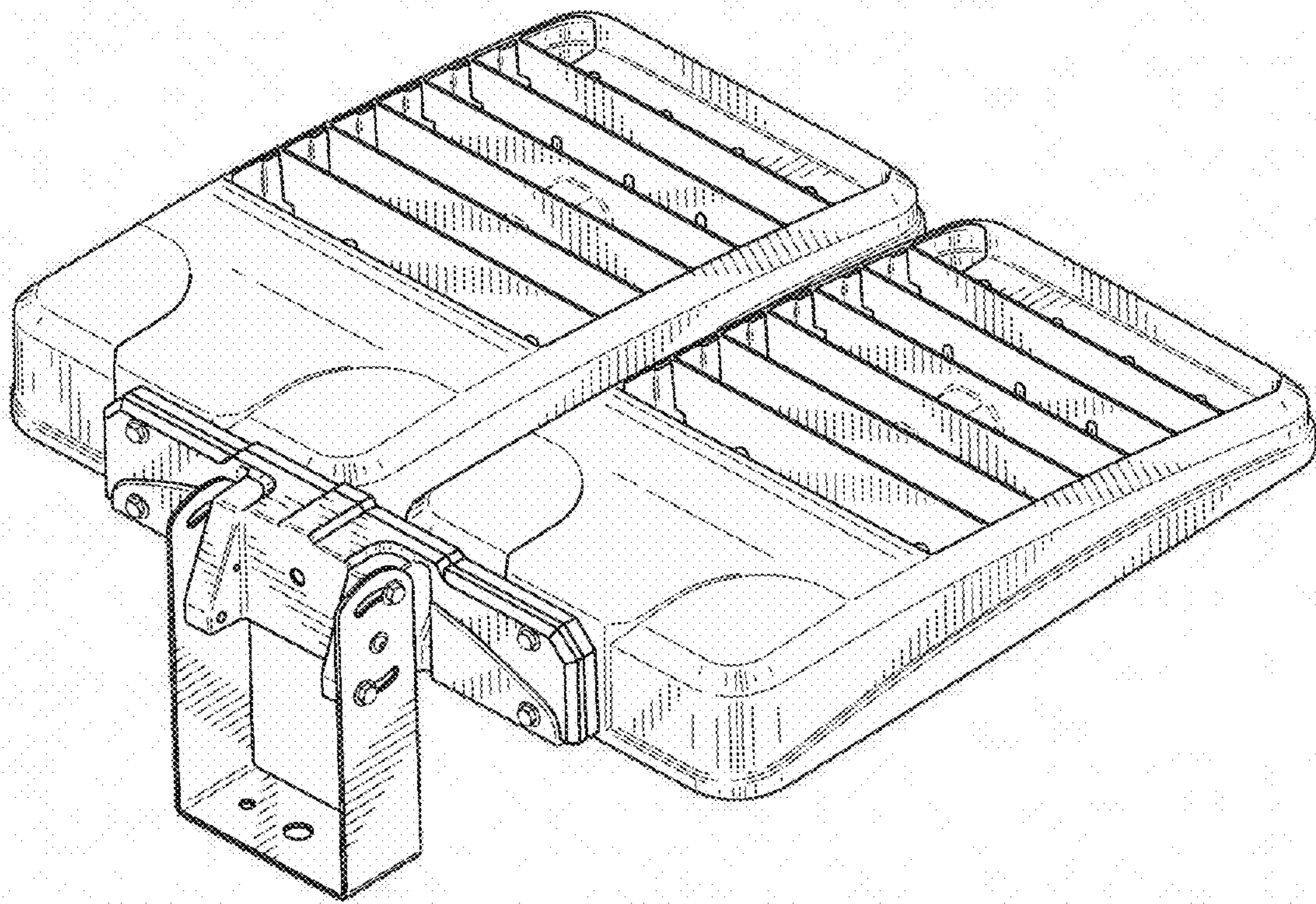
FIG. 5 is a rear end view of the solid state lighting fixture shown in FIG. 1;

FIG. 6 is a side elevation view of the first side of the solid state lighting fixture shown in FIG. 1; and,

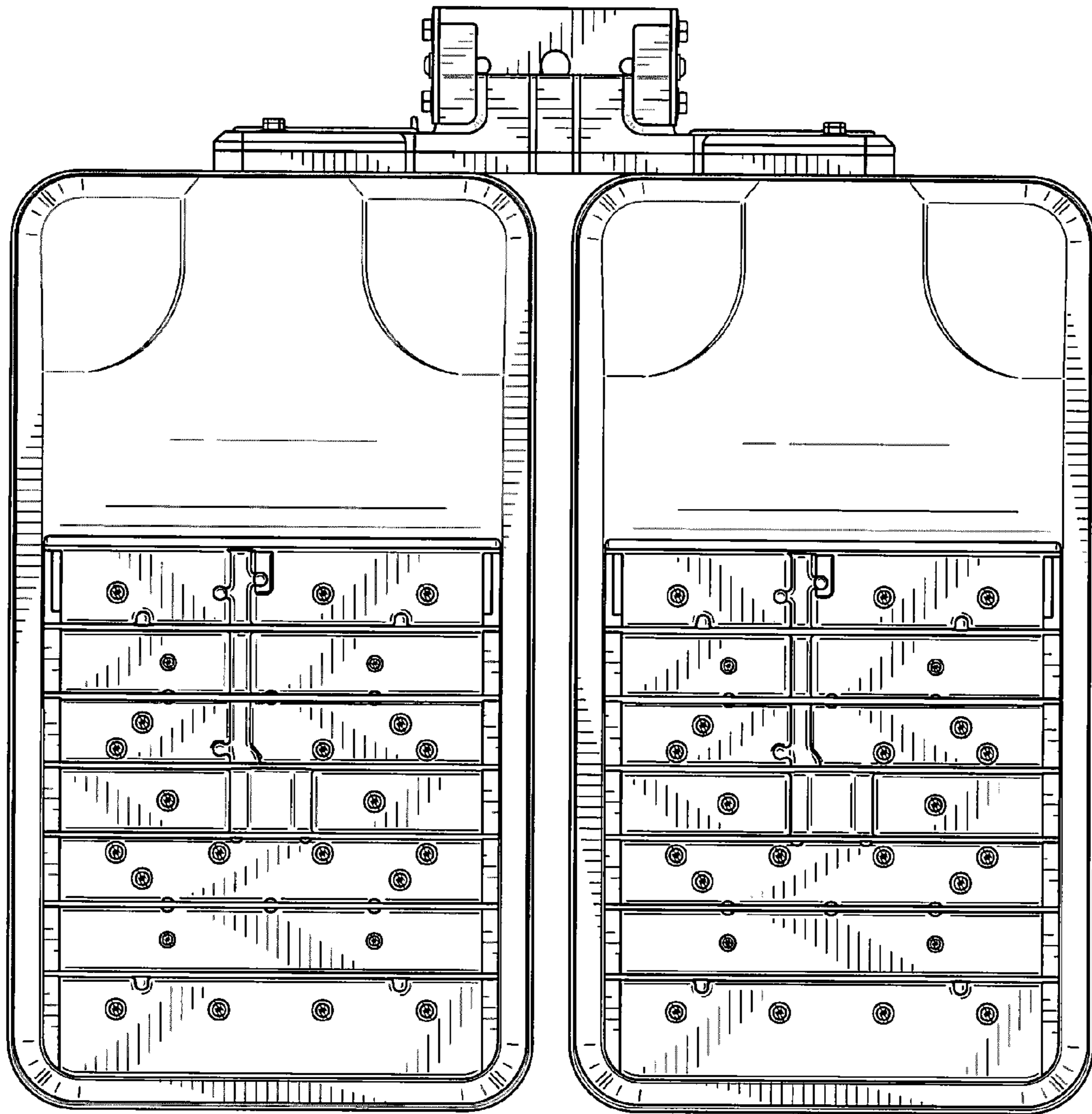
FIG. 7 is a front end view of the solid state lighting fixture shown in FIG. 1.

**1 Claim, 7 Drawing Sheets**



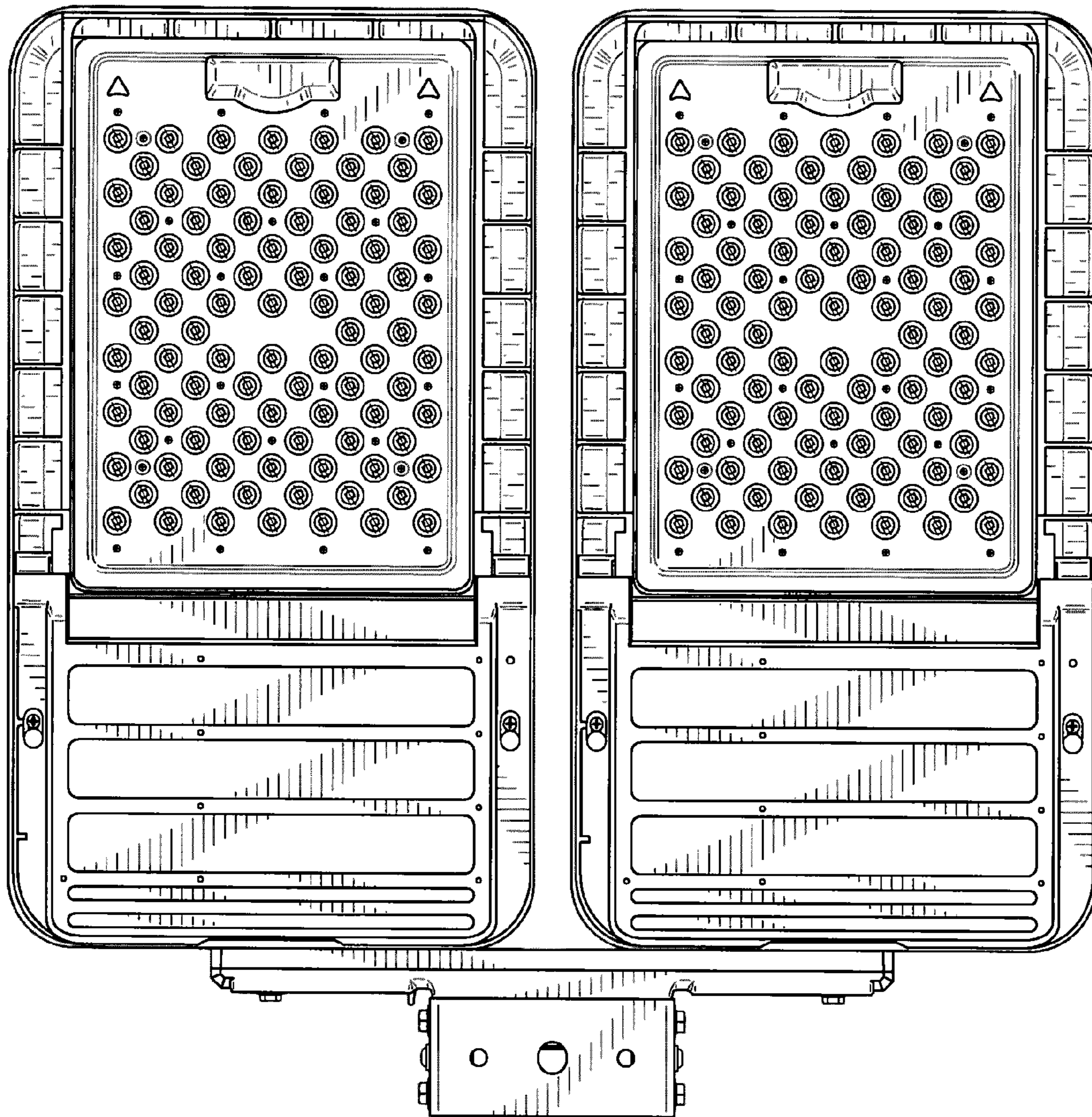


**FIG. 1**

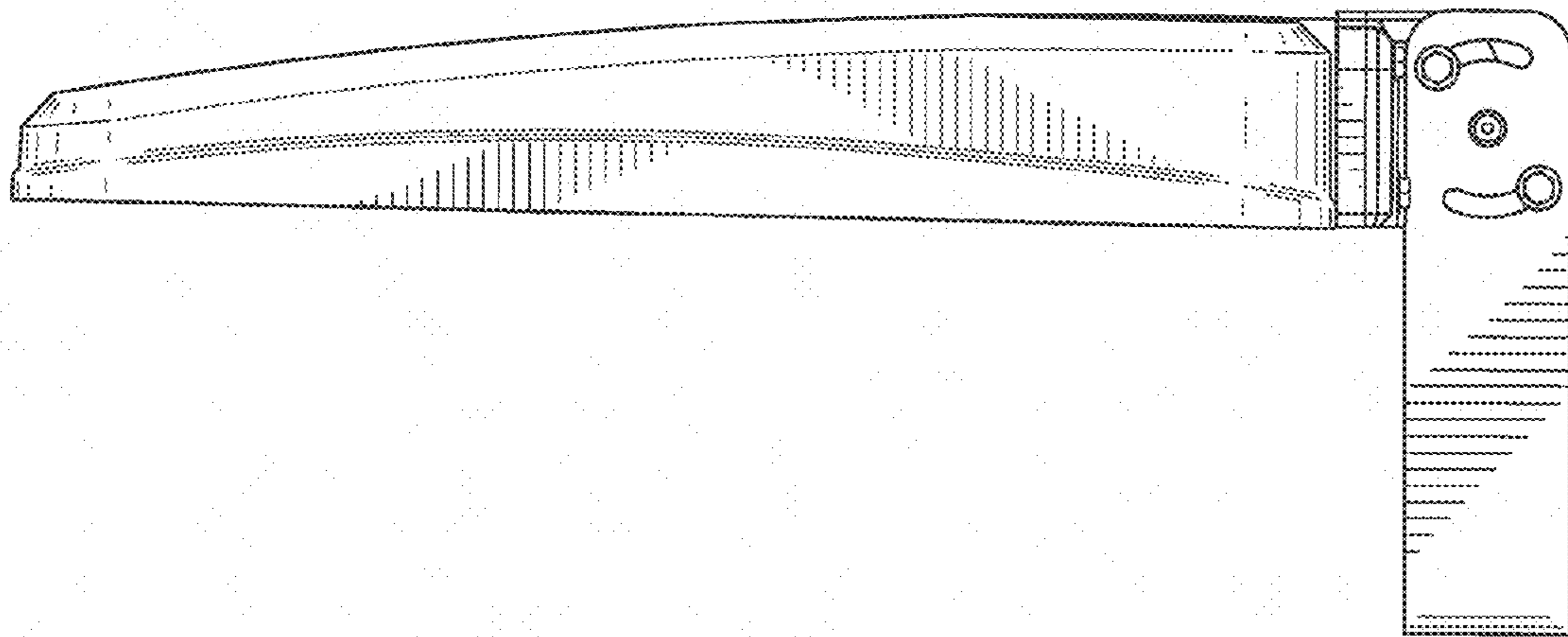


**FIG. 2**

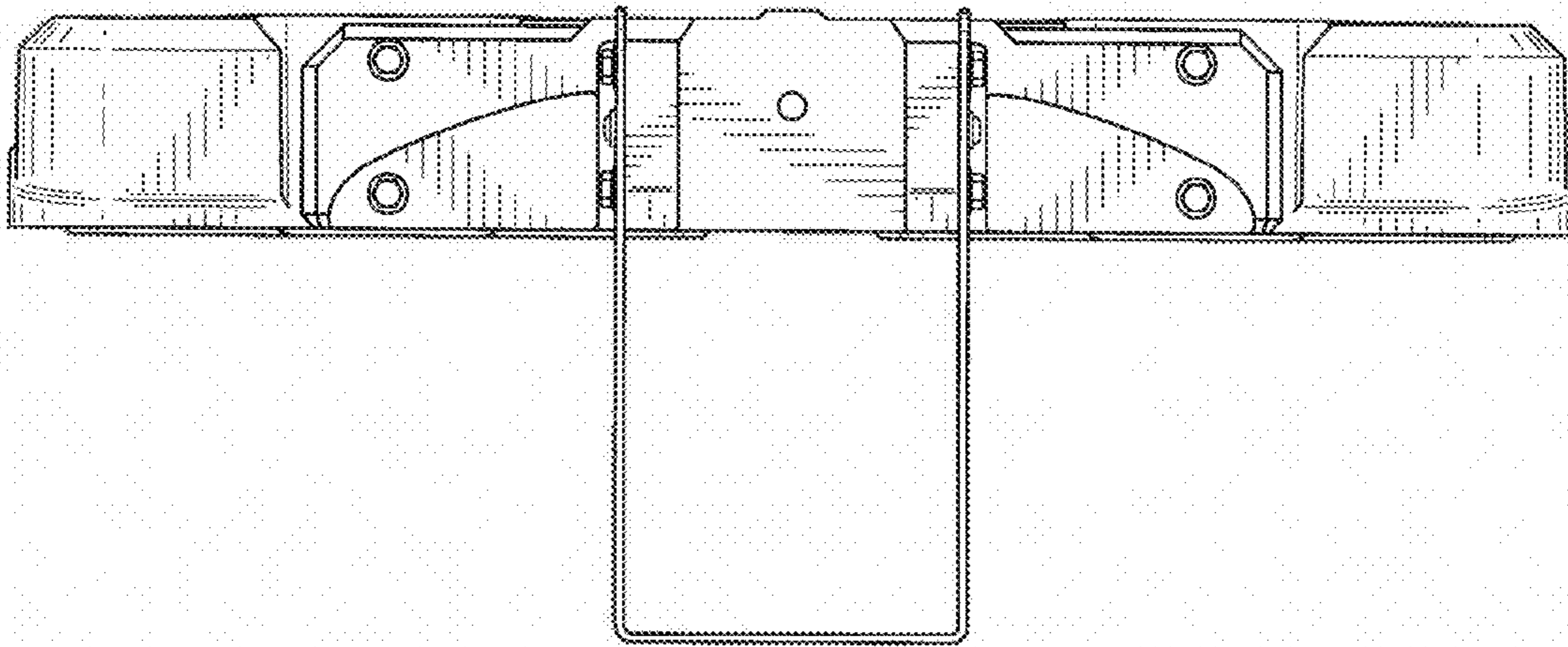




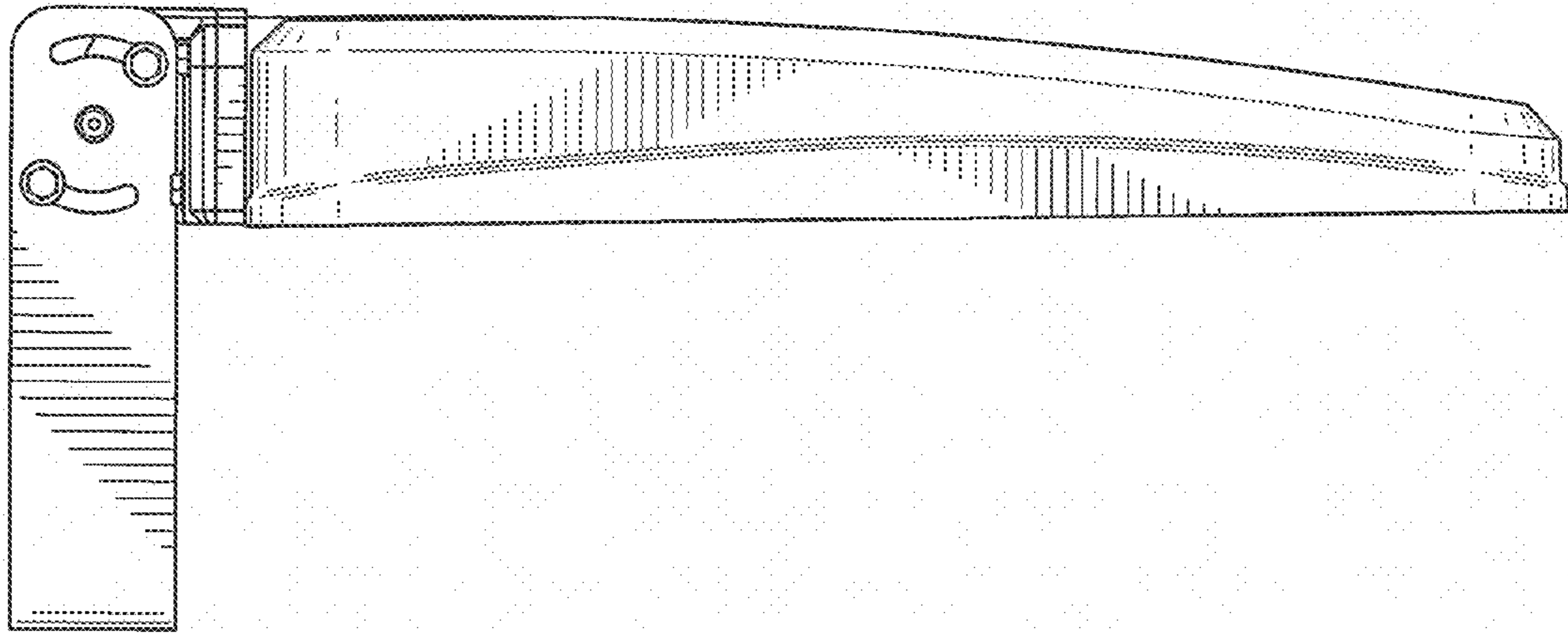
**FIG. 3**



**FIG. 4**

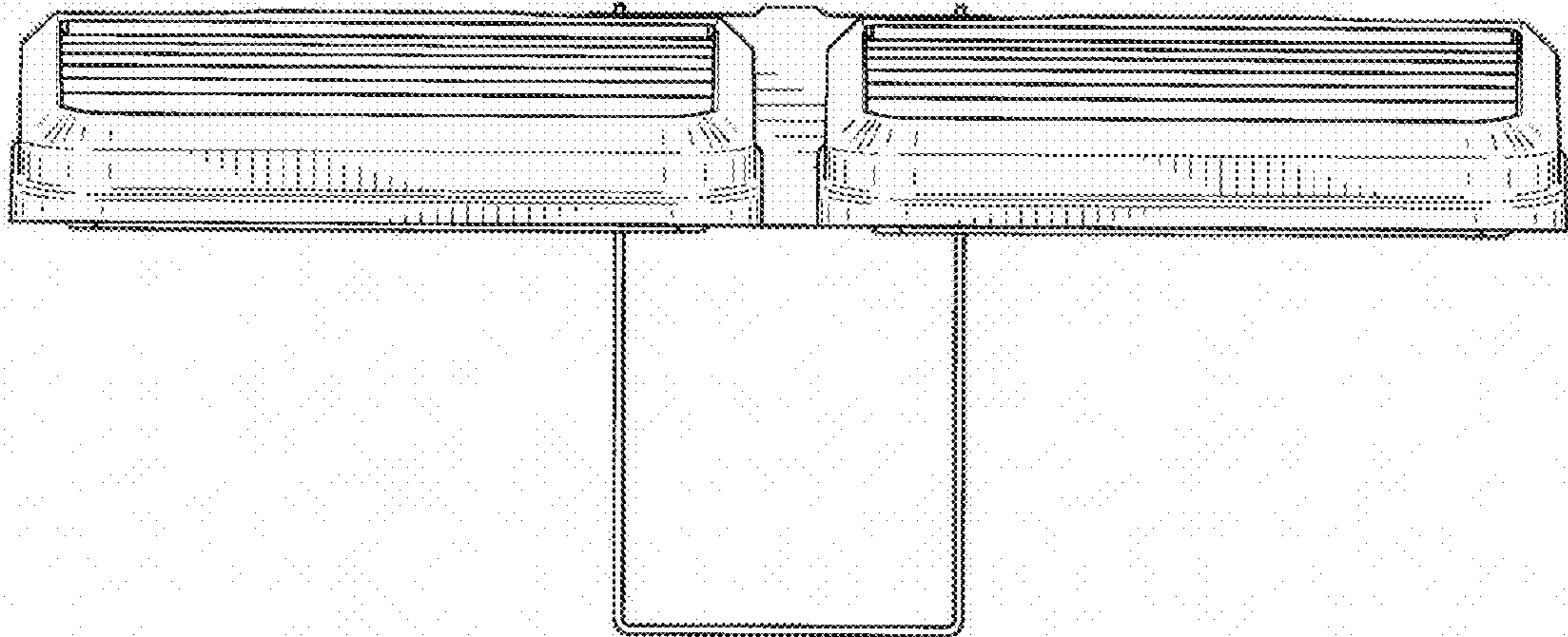


**FIG. 5**



**FIG. 6**





**FIG. 7**