



US00D770073S

(12) **United States Design Patent**
Stern et al.

(10) **Patent No.:** **US D770,073 S**
(45) **Date of Patent:** **** Oct. 25, 2016**

(54) **LIGHT**

(71) Applicant: **LANDSCAPE FORMS, INC.**,
Kalamazoo, MI (US)

(72) Inventors: **Robert A. M. Stern**, New York, NY
(US); **Daniel Lobitz**, New York, NY
(US); **Alex Lamis**, New York, NY
(US); **Gaylin Bowie**, Cambria Heights,
NY (US); **Motomi Morii**, Brooklyn,
NY (US); **Naomi Ocko**, New York, NY
(US); **Brian Revoir**, Vicksburg, MI
(US)

(73) Assignee: **LANDSCAPE FORMS, INC.**,
Kalamazoo, MI (US)

(**) Term: **15 Years**

(21) Appl. No.: **29/528,711**

(22) Filed: **May 31, 2015**

(51) **LOC (10) Cl.** **26-05**

(52) **U.S. Cl.**
USPC **D26/67**

(58) **Field of Classification Search**
USPC D26/67, 68, 69, 70, 110, 104
CPC F21S 6/004; F21S 8/032; F21S 8/08;
F21S 8/081; F21S 8/083; F21S 8/085;
F21S 8/088; F21S 9/037; F21W 2131/10;
F21W 2131/109

See application file for complete search history.

(56) **References Cited**

U.S. PATENT DOCUMENTS

79,169 A * 6/1868 Wheeler F21S 8/088
362/367
136,373 A * 3/1873 Hartman F21S 8/088
362/367
2,608,641 A * 8/1952 Dennis F21S 8/088
362/367
D199,266 S * 9/1964 Izzi D26/67
D199,802 S * 12/1964 Turner et al. D26/67

D202,808 S * 11/1965 Dailey D26/67
3,365,570 A * 1/1968 Hansen F21S 8/088
362/367
4,104,712 A * 8/1978 Hafner F21S 8/088
362/218
D427,352 S * 6/2000 Miranda D26/67
D444,584 S * 7/2001 Landefeld D26/67
D484,631 S * 12/2003 Chen D26/67
D614,789 S * 4/2010 van Klinken D26/67
D615,682 S * 5/2010 van Klinken D26/67
D629,950 S * 12/2010 Izardel D26/67
D694,932 S * 12/2013 Meyer D26/67
D713,082 S * 9/2014 Hermansen D26/67
D740,992 S * 10/2015 Orozco D26/67
D759,284 S * 6/2016 De Bevilacqua D26/104
2007/0201228 A1 * 8/2007 Young F21S 8/088
362/255
2007/0291497 A1 * 12/2007 Haddad F21S 8/086
362/427
2008/0232094 A1 * 9/2008 Ramsdell F21S 8/088
362/153
2010/0254134 A1 * 10/2010 McCanless F21S 8/088
362/235
2015/0103518 A1 * 4/2015 Zhu F21S 9/037
362/183
2015/0116998 A1 * 4/2015 Feit F21V 29/70
362/235

* cited by examiner

Primary Examiner — Clare E Hefflin

(74) *Attorney, Agent, or Firm* — Heslin Rothenberg
Farley & Mesiti P.C.

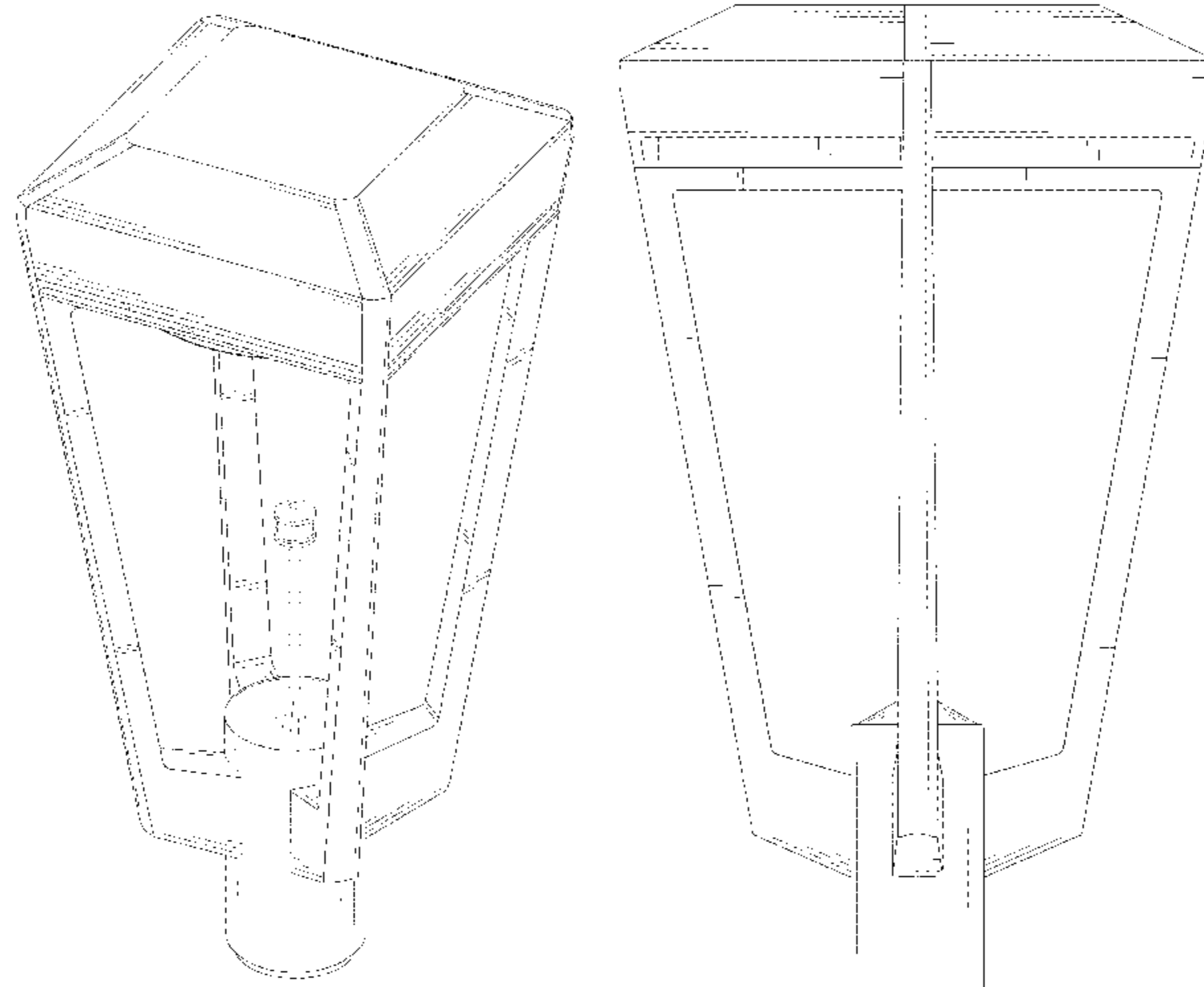
(57) **CLAIM**

The ornamental design for a light, as shown and described.

DESCRIPTION

FIG. 1 is a perspective view of the light of the present invention;
FIG. 2 is a front elevation view thereof, the right side, rear and left side elevation views being identical thereto;
FIG. 3 is a top plan view thereof; and,
FIG. 4 is a bottom plan view thereof.
The broken lines illustrate an environmental structure that forms no part of the claimed invention.

1 Claim, 4 Drawing Sheets



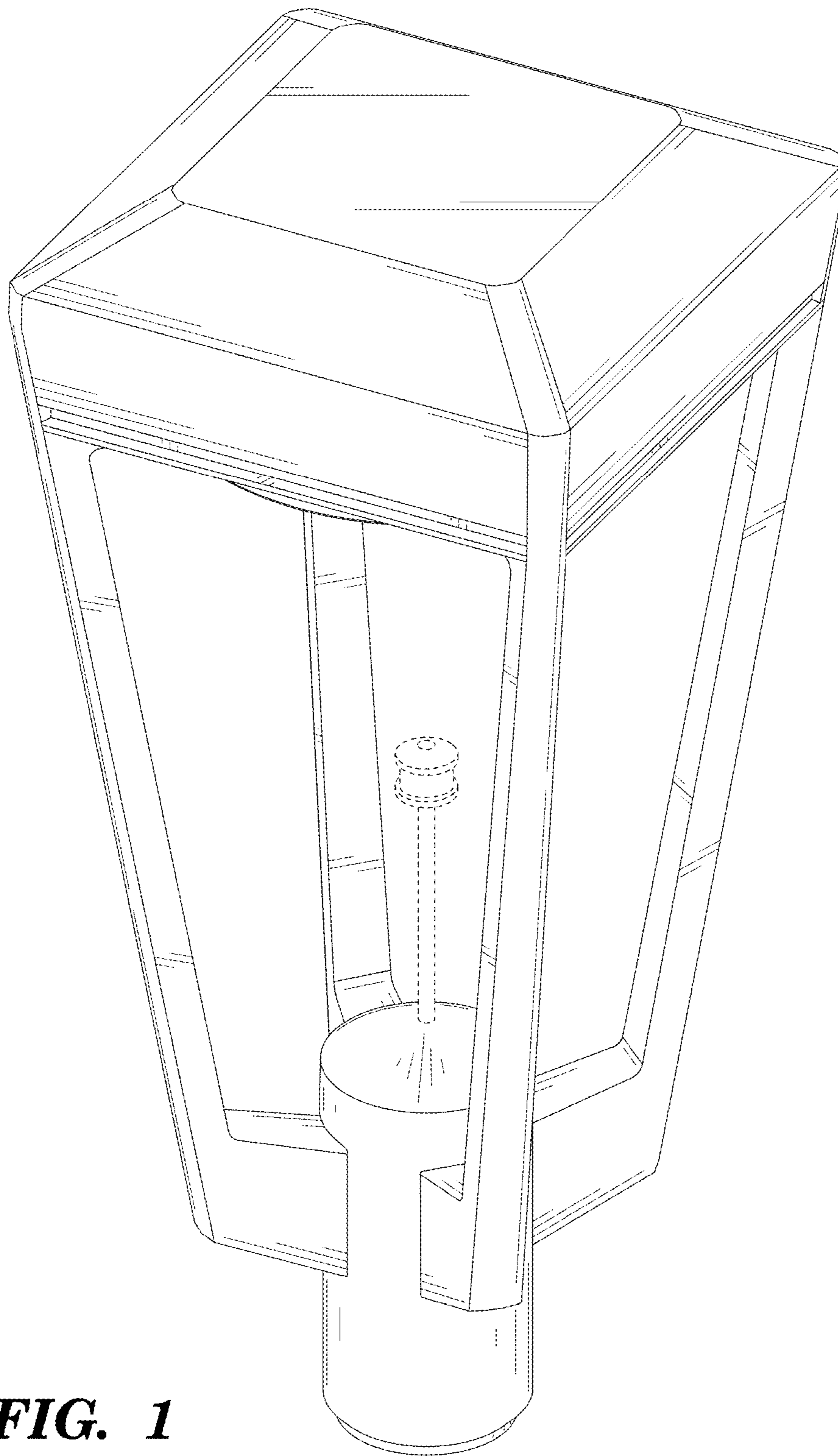


FIG. 1

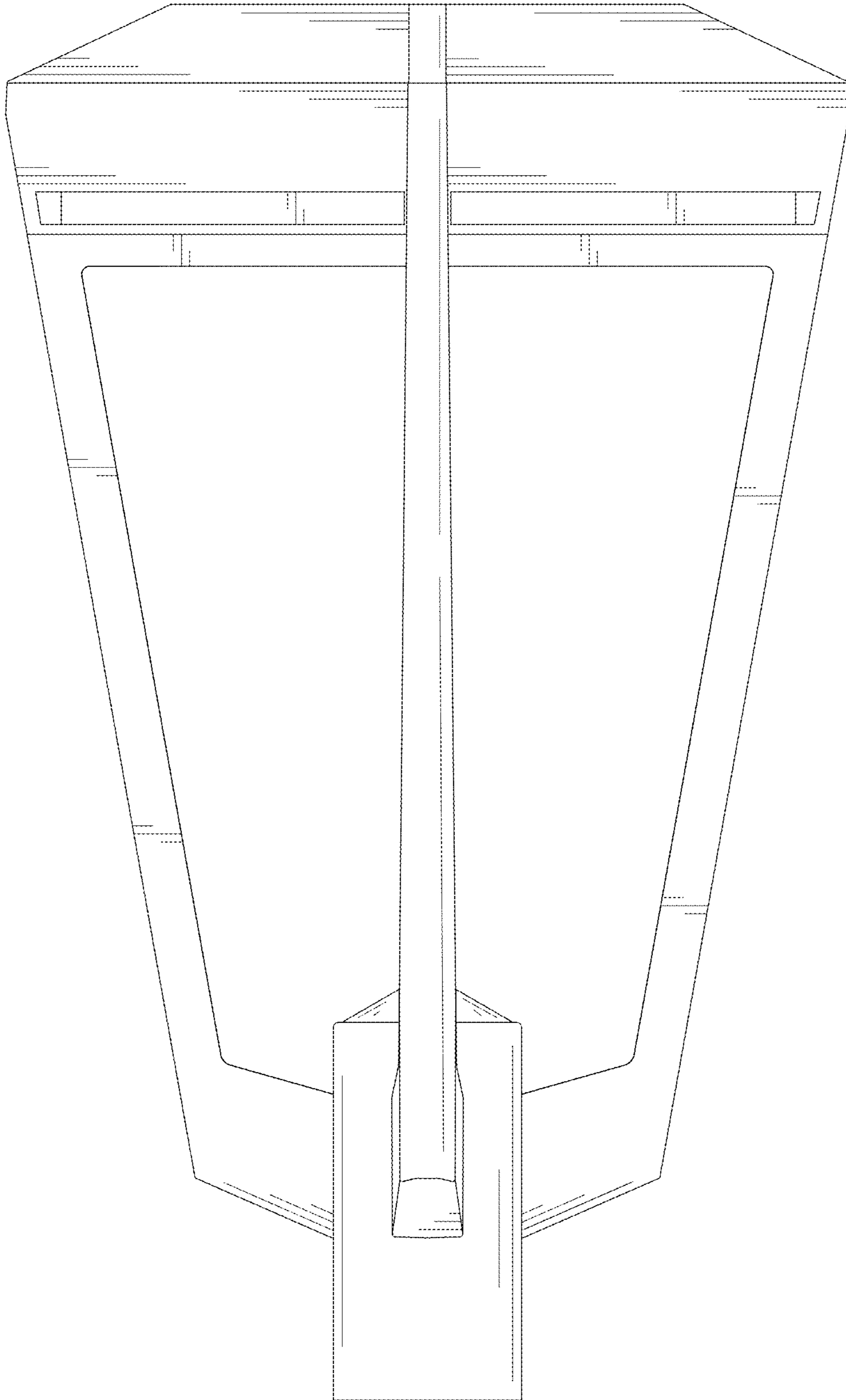


FIG. 2

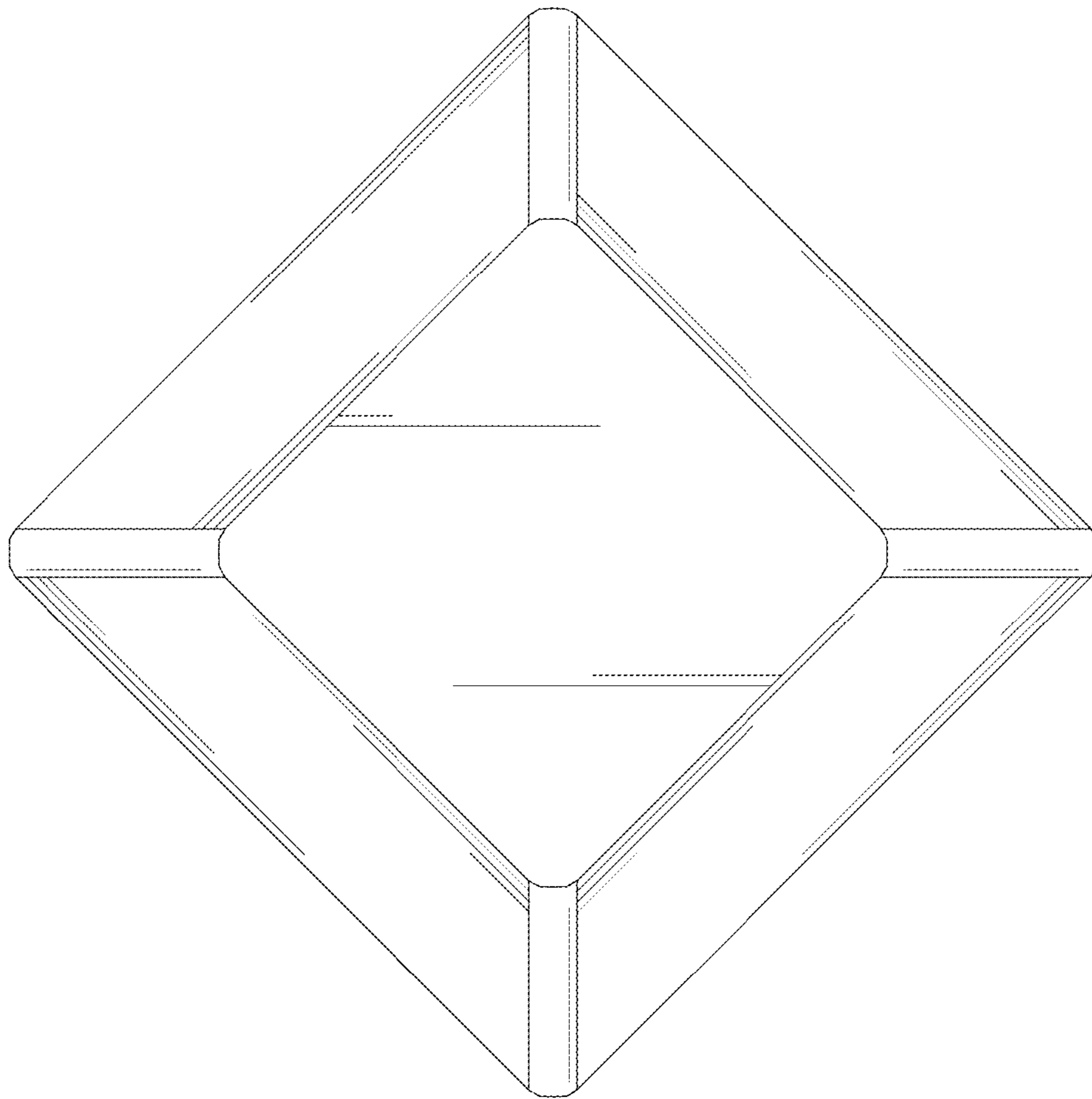


FIG. 3

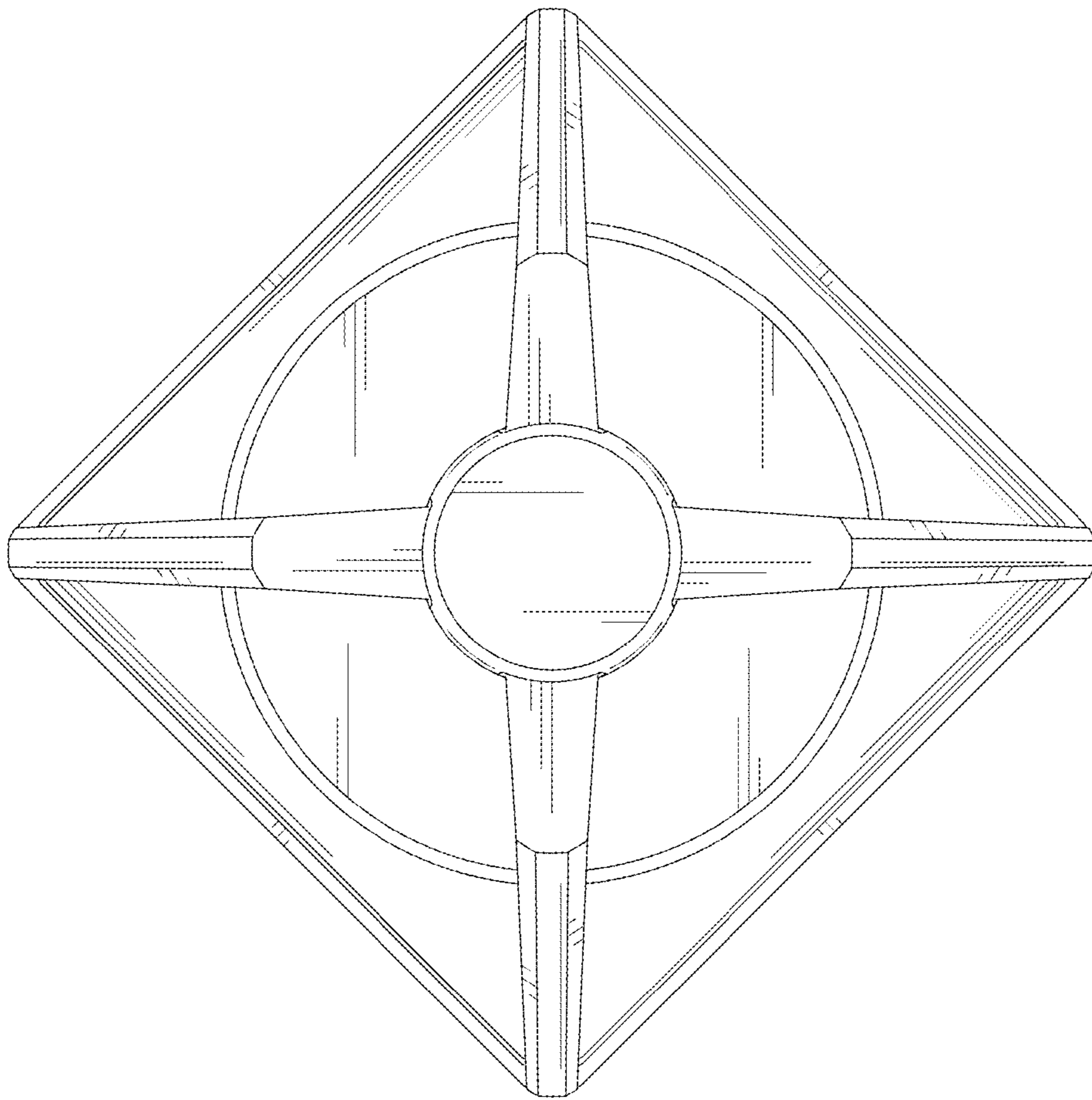


FIG. 4