



US00D770072S

(12) **United States Design Patent**
Law et al.

(10) **Patent No.:** **US D770,072 S**
(45) **Date of Patent:** **** Oct. 25, 2016**

(54) **CLIP-STYLE LIGHT**

(71) Applicant: **SOL-LIGHT, LLC**, Las Vegas, NV
(US)

(72) Inventors: **Wai-Ming Law**, Yuen Long (HK);
John Smith, San Francisco, CA (US);
David Nelson, Las Vegas, NV (US)

(73) Assignee: **Sol-Light, LLC.**, Las Vegas, NV (US)

(**) Term: **14 Years**

(21) Appl. No.: **29/520,747**

(22) Filed: **Mar. 17, 2015**

(51) **LOC (10) Cl.** **26-03**

(52) **U.S. Cl.**
USPC **D26/63**

(58) **Field of Classification Search**
USPC D26/1, 24, 37, 51, 60, 61, 63
CPC F21V 21/14; F21V 15/01; F21V 14/02;
F21V 21/30; F21V 21/00; F21V 14/00;
F21S 8/00; F21S 8/003; F21S 8/043; F21Y
2105/001
See application file for complete search history.

(56) **References Cited**

U.S. PATENT DOCUMENTS

D271,526 S * 11/1983 Zeller D26/60
D363,565 S * 10/1995 Sugiura D26/60

D563,011 S * 2/2008 Major D26/61
D633,240 S * 2/2011 Cheng D26/60
D648,883 S * 11/2011 Levine D26/60
D669,617 S * 10/2012 Huckestein D26/60
D671,665 S * 11/2012 Mish D26/60
D685,510 S * 7/2013 Henry D26/60

* cited by examiner

Primary Examiner — Brian N Vinson

(74) *Attorney, Agent, or Firm* — Banner & Witcoff, Ltd.

(57) **CLAIM**

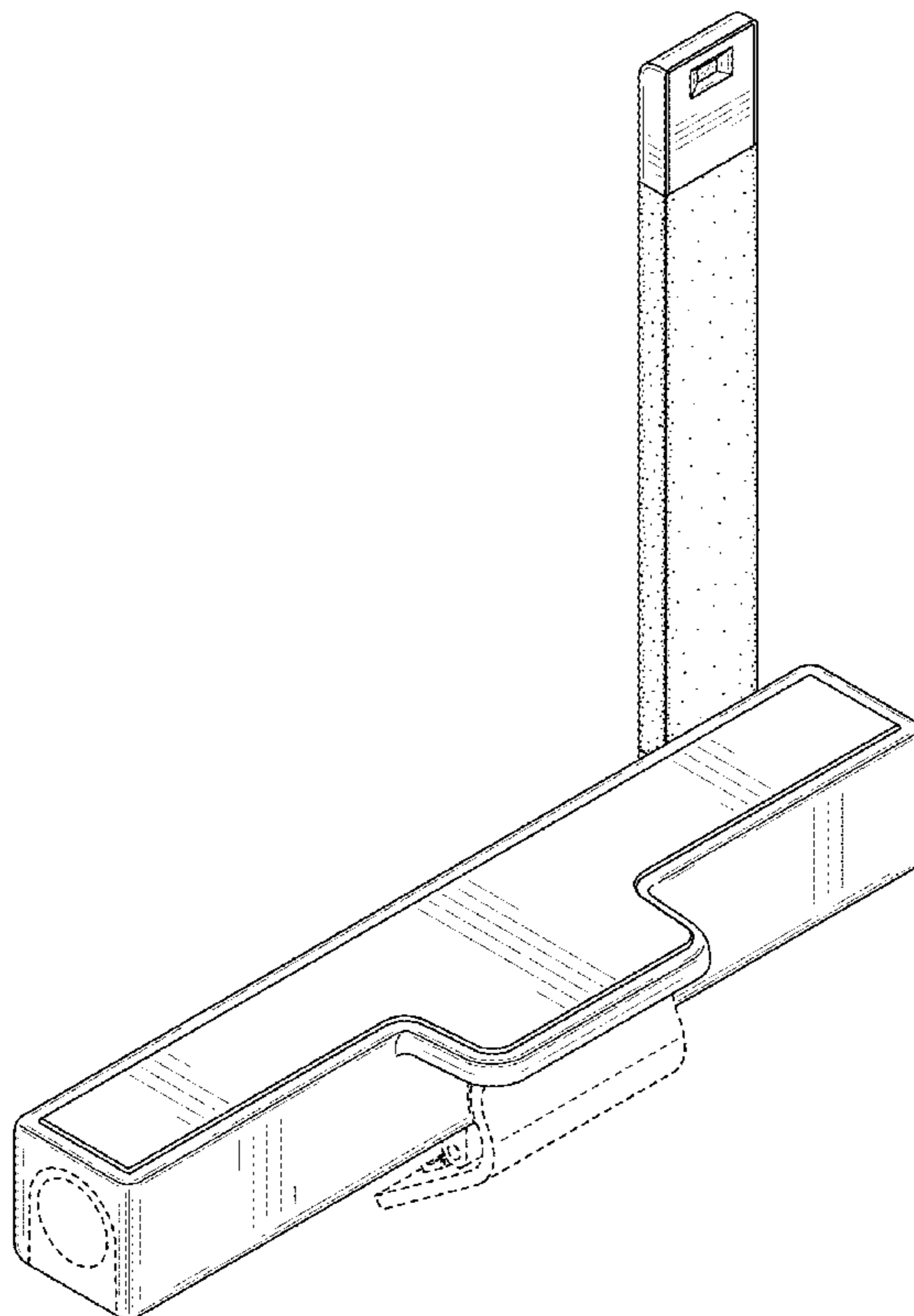
The ornamental design for a clip-style light, as shown and described.

DESCRIPTION

FIG. 1 is a perspective view of a clip-style light showing our new design;
FIG. 2 is a front view thereof;
FIG. 3 is a rear view thereof;
FIG. 4 is a right side view thereof;
FIG. 5 is a left side view thereof;
FIG. 6 is a top view thereof; and,
FIG. 7 is a second perspective view thereof.

The broken line immediately adjacent to the shaded area represents unclaimed boundaries of the design. The broken line showing of the remainder of the light is for environmental purposes only and forms no part of the claimed design. The un-shown bottom of the clip-style light forms no part of the claimed design.

1 Claim, 6 Drawing Sheets



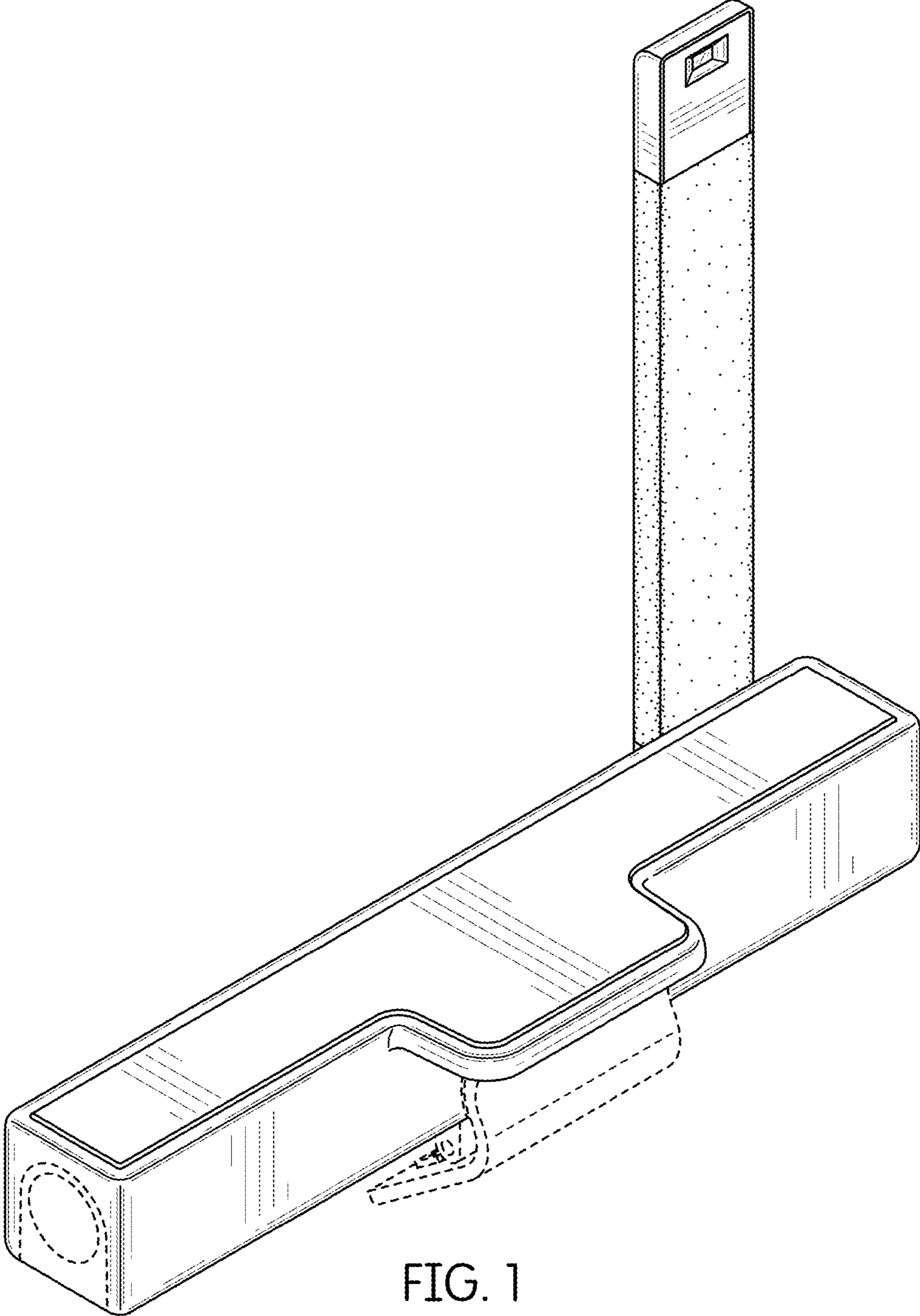


FIG. 1

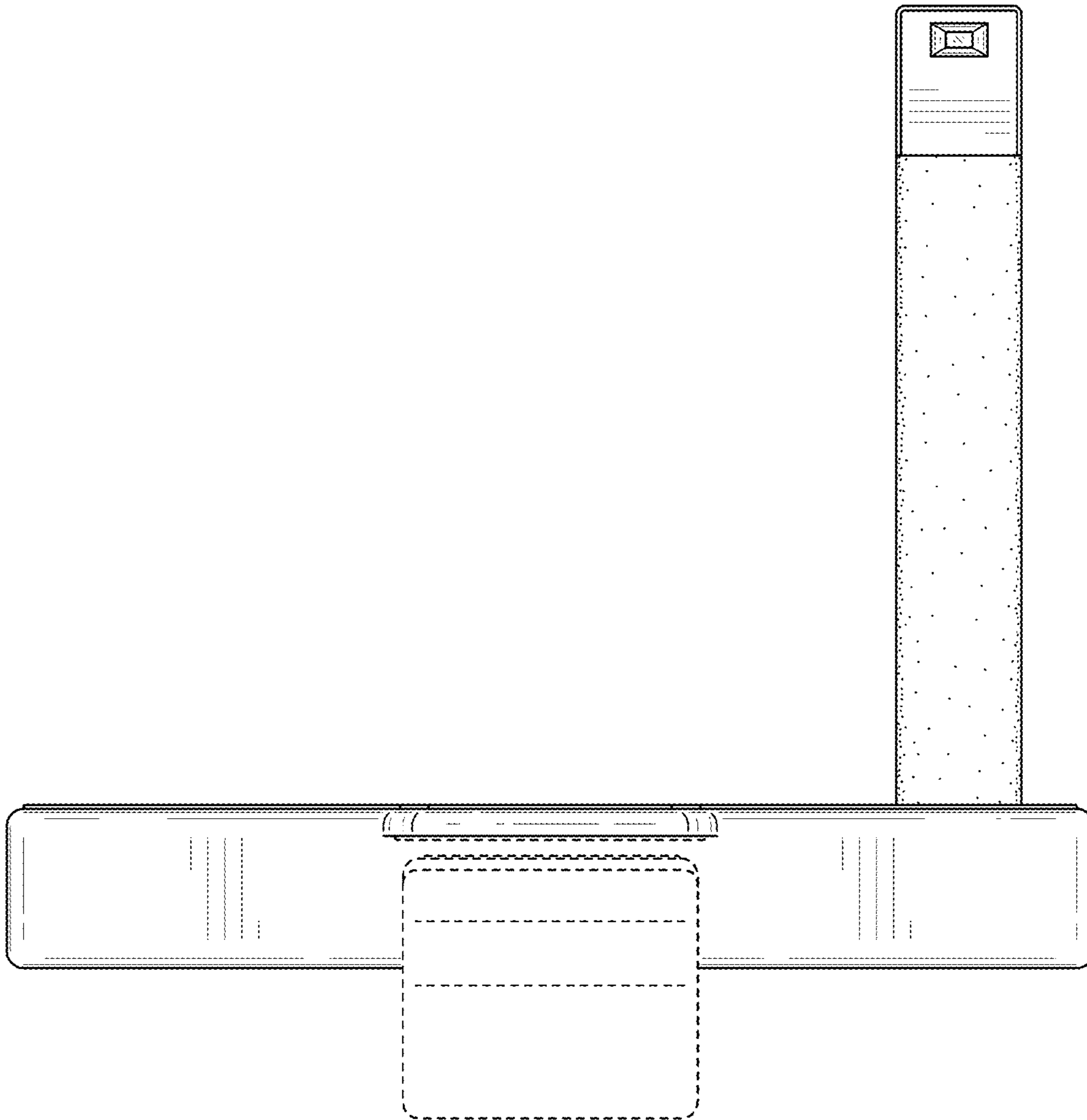


FIG. 2

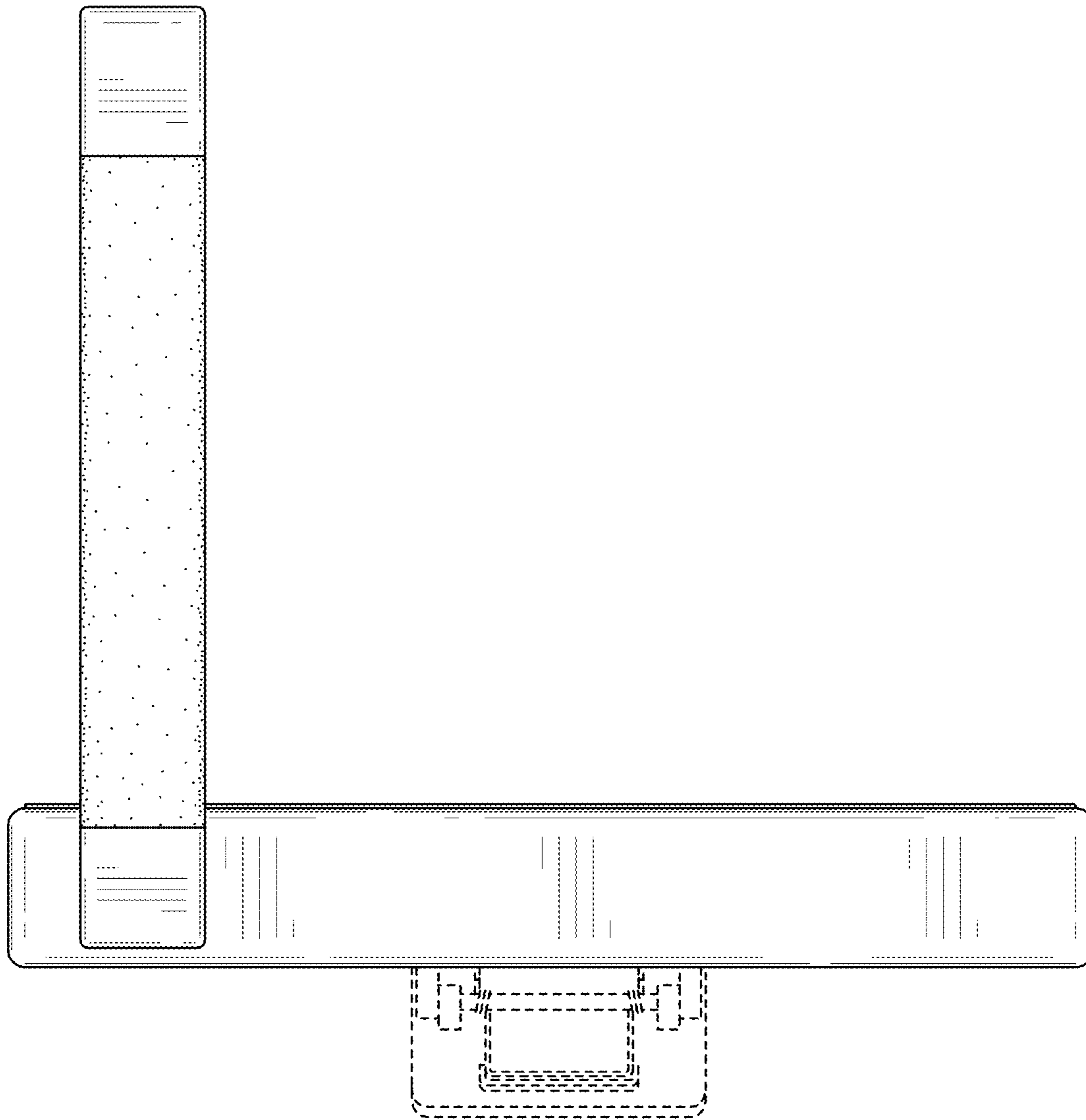


FIG. 3

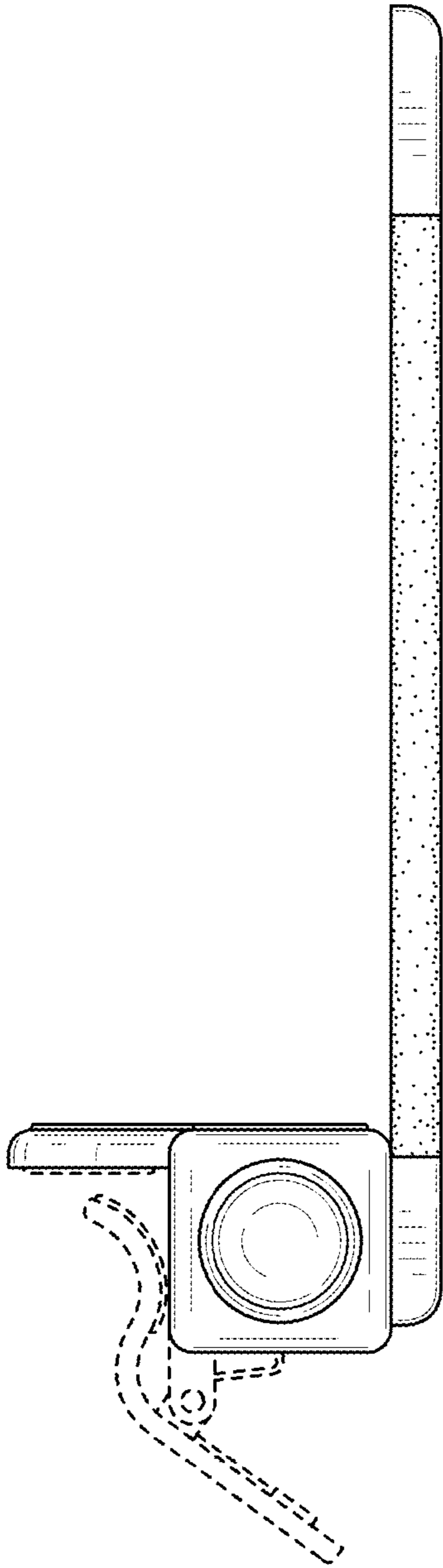


FIG. 4

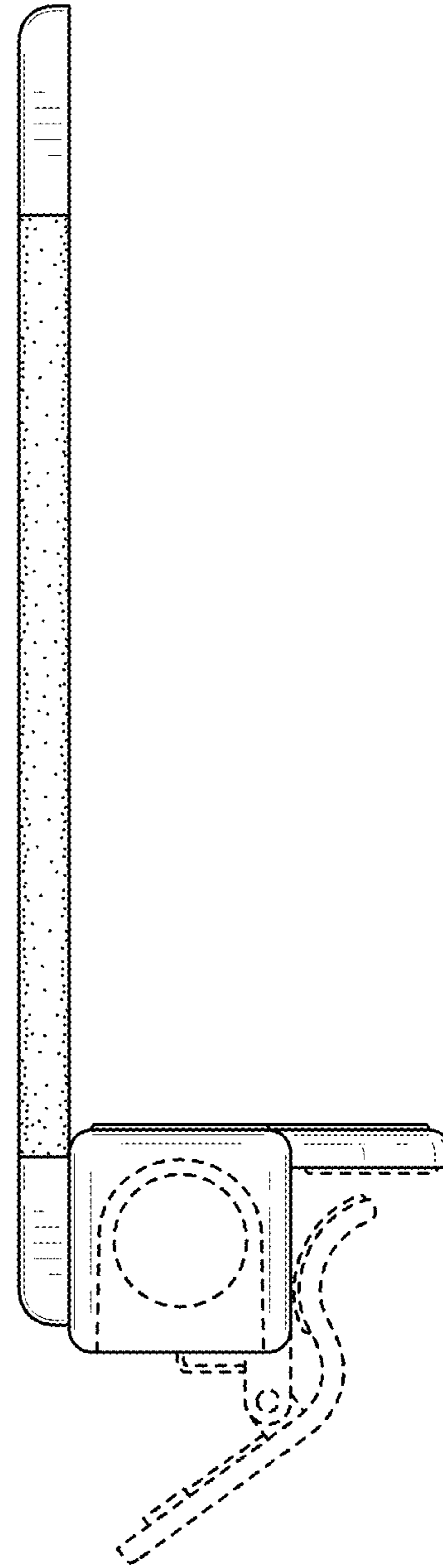


FIG. 5

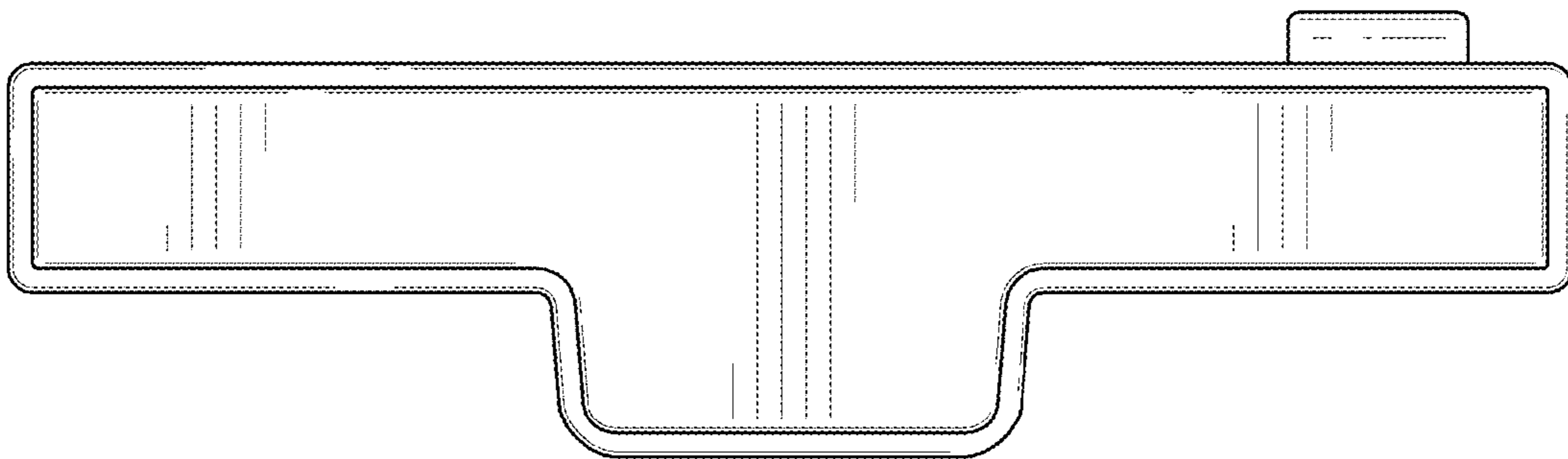


FIG. 6

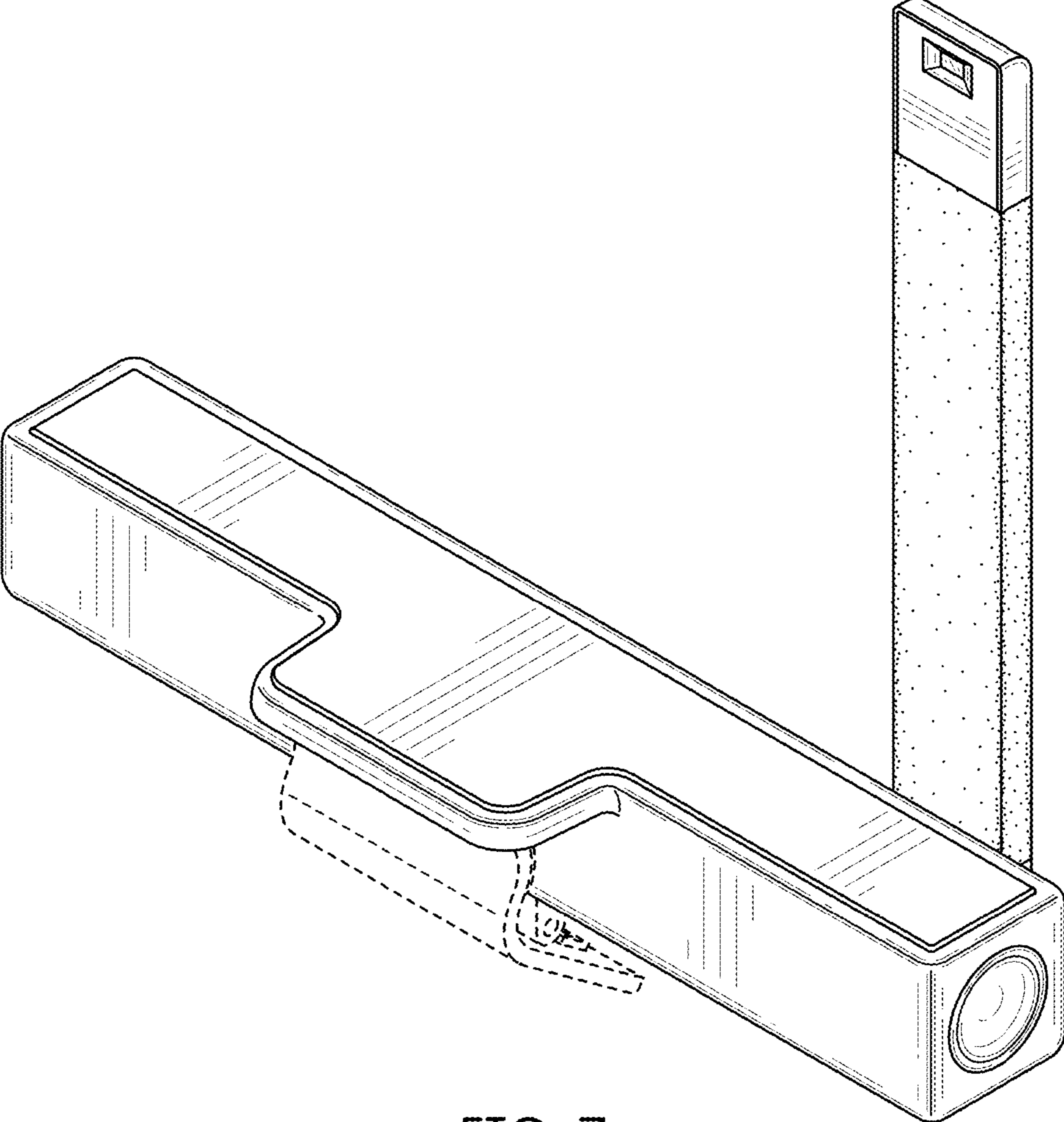


FIG. 7