



US00D770070S

(12) **United States Design Patent**
Zhou et al.

(10) **Patent No.:** **US D770,070 S**
(45) **Date of Patent:** **** Oct. 25, 2016**

- (54) **LANTERN**
- (71) Applicant: **Mainhouse (Xiamen) Electronics Co., Ltd.**, Xiamen (CN)
- (72) Inventors: **Nanqing Zhou**, Xiamen (CN); **Qiong Tang**, Xiamen (CN)
- (73) Assignee: **MAINHOUSE (XIAMEN) ELECTRONICS CO., LTD.**, Xiamen, Fujian (CN)
- (**) Term: **15 Years**
- (21) Appl. No.: **29/531,779**
- (22) Filed: **Jun. 30, 2015**
- (51) **LOC (10) Cl.** **26-02**
- (52) **U.S. Cl.**
USPC **D26/41**
- (58) **Field of Classification Search**
USPC D26/37, 38, 40, 41, 46, 50, 51, 32, 92,
D26/96, 12, 9, 11; 362/157, 158, 171-174,
362/183, 184, 194-196, 202-208, 253
CPC F21L 2003/00; F21L 4/00; F21L 4/005;
F21L 4/02; F21L 4/025; F21L 4/027; F21L
4/04; F21L 4/08; F21L 2005/00; F21L 7/00;
F21L 11/00; F21L 13/00; F21L 13/04;
F21L 13/08; F21L 14/02; F21L 17/00;
F21L 19/00
See application file for complete search history.

(56) **References Cited**

U.S. PATENT DOCUMENTS

- 353,343 A * 11/1886 Winfield F21L 19/006
362/173
- 359,341 A * 3/1887 Betts F21L 19/006
362/171
- 479,247 A * 7/1892 Cronin F21V 35/00
362/172

- 638,653 A * 12/1899 Stone F21L 19/006
362/171
- D43,415 S * 1/1913 Betts D26/41
- 2,567,780 A * 9/1951 Oppelt F21S 13/12
362/163
- D179,904 S * 3/1957 Kirkman D26/41
- 3,225,186 A * 12/1965 Duncan F21L 4/08
362/183
- 3,760,177 A * 9/1973 Levy F21S 6/001
362/311.01
- D396,891 S * 8/1998 Lam D21/483
- D433,762 S * 11/2000 Yuen D26/40
- D452,021 S * 12/2001 Yeh D26/40
- D472,985 S * 4/2003 Longsdorf D26/11
- D486,925 S * 2/2004 Cuevas D26/10
- D486,933 S * 2/2004 Leung D26/40
- D486,934 S * 2/2004 Leung D26/40
- D498,015 S * 11/2004 Leung D26/40
- D646,411 S * 10/2011 Tuli D26/40
- D700,381 S * 2/2014 Pamani D26/40

* cited by examiner

Primary Examiner — Ian Simmons

Assistant Examiner — Carissa C Fitts

(74) *Attorney, Agent, or Firm* — Leong C. Lei

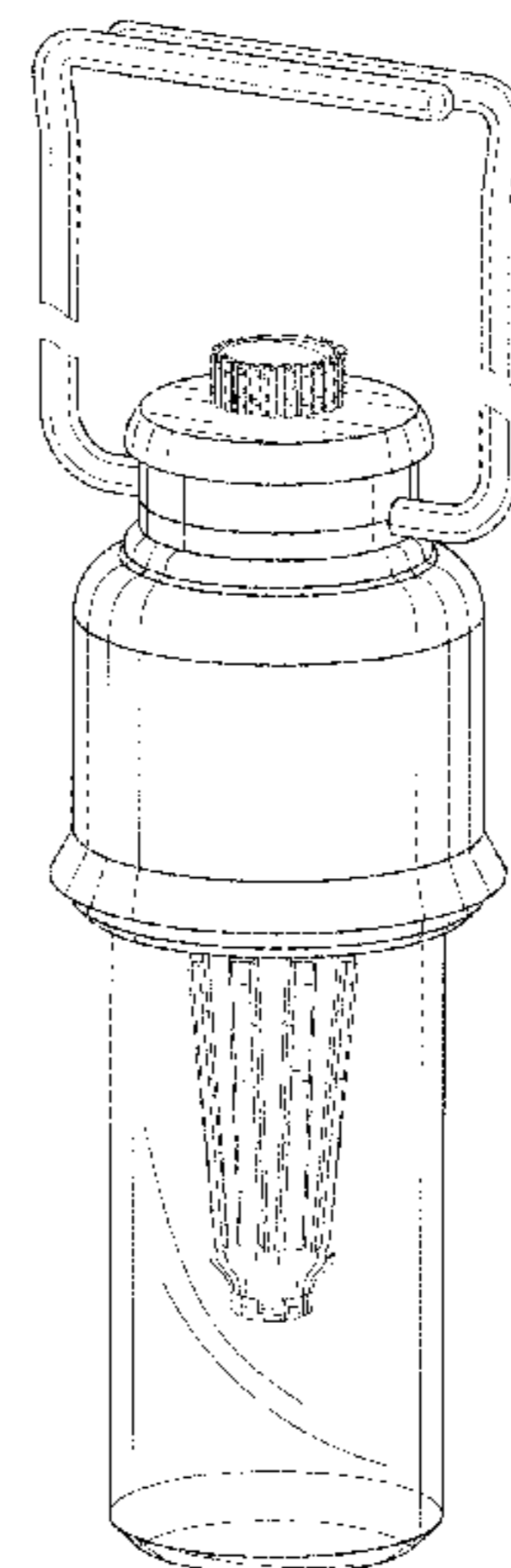
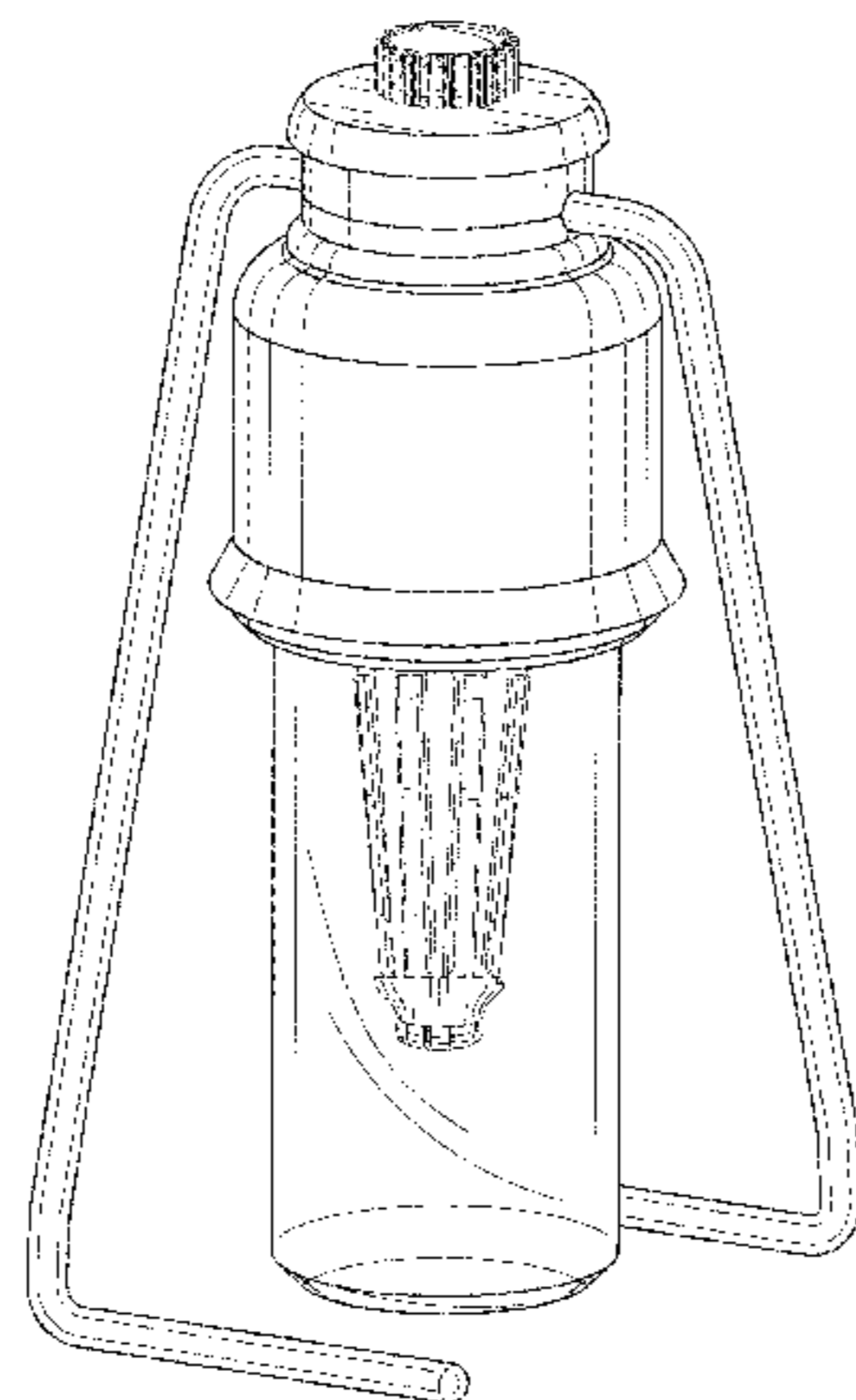
(57) **CLAIM**

The ornamental design for a lantern, as shown and described.

DESCRIPTION

FIG. 1 is a front view of lantern showing my present design;
 FIG. 2 is a rear view thereof;
 FIG. 3 is a left view thereof;
 FIG. 4 is a right side view thereof;
 FIG. 5 is a top side view thereof;
 FIG. 6 is a bottom view thereof;
 FIG. 7 is a perspective view thereof;
 FIG. 8 is a perspective view thereof, in an alternate position;
 and,
 FIG. 9 is a perspective view thereof, in an alternate position.
 A portion of the handle has been removed for ease of illustrations.

1 Claim, 8 Drawing Sheets



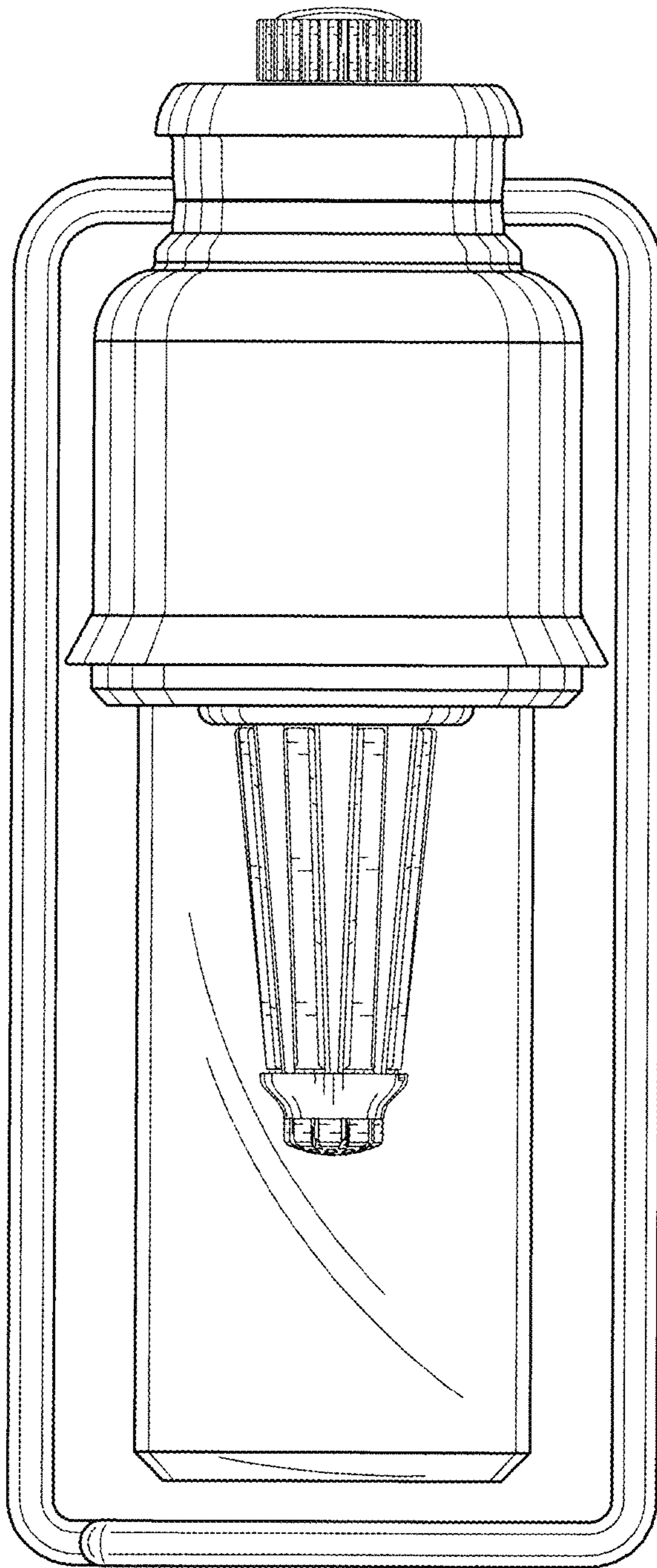


FIG. 1

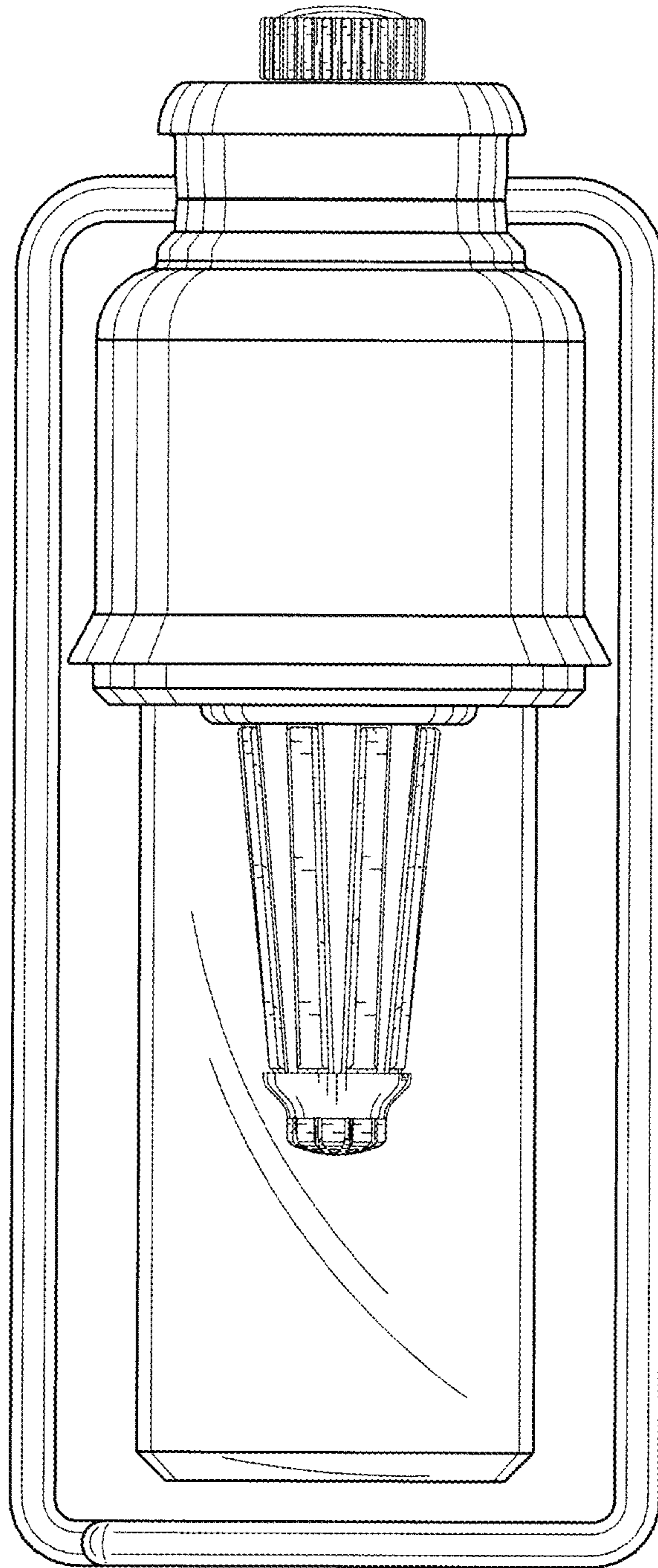


FIG. 2

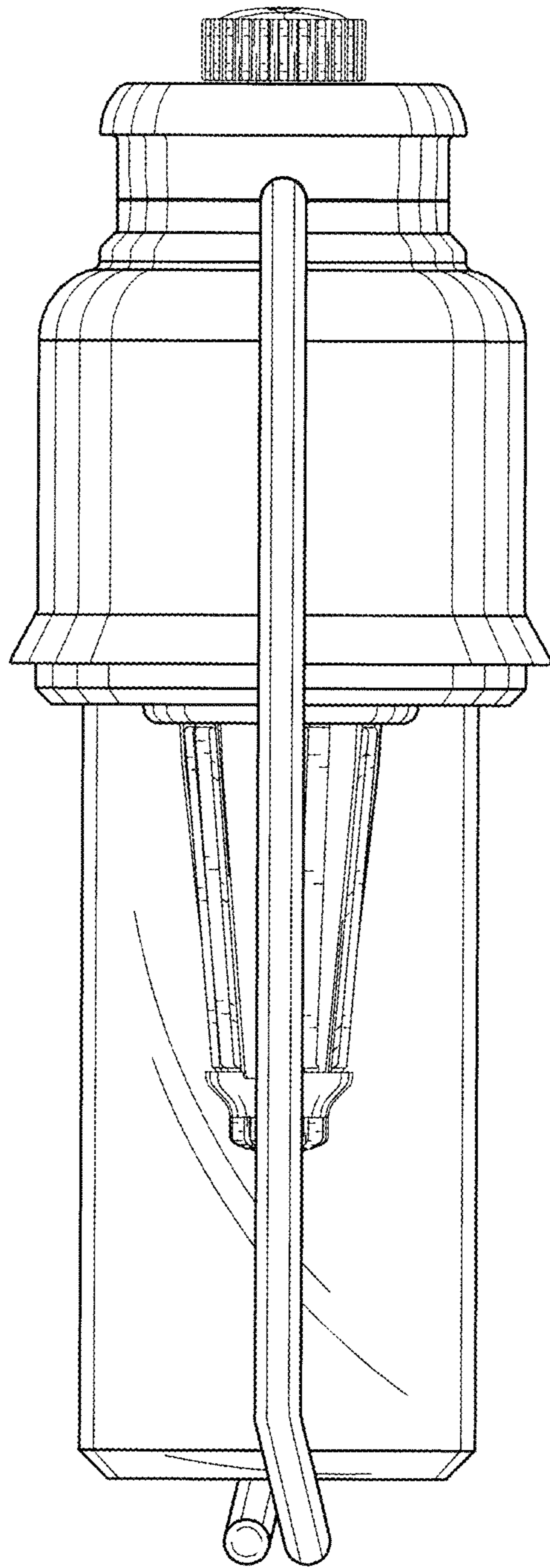


FIG. 3

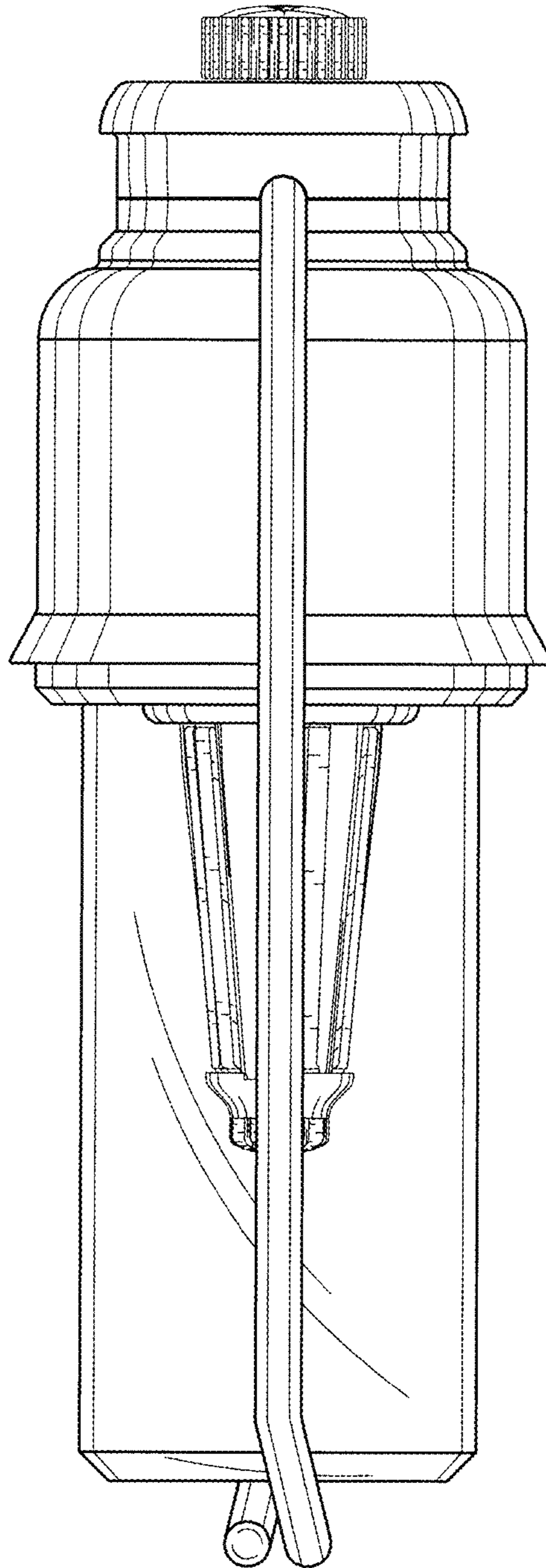


FIG. 4

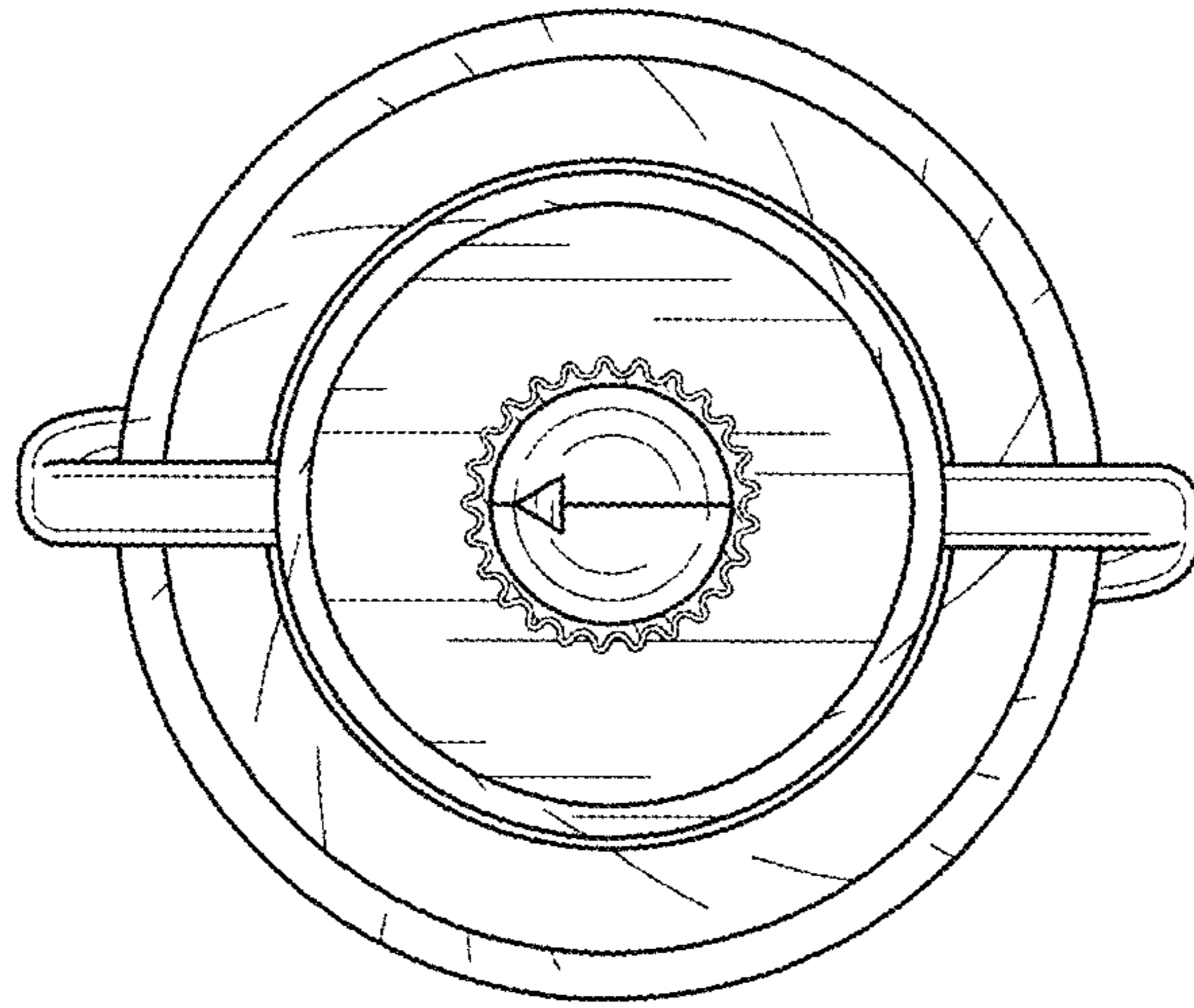


FIG. 5

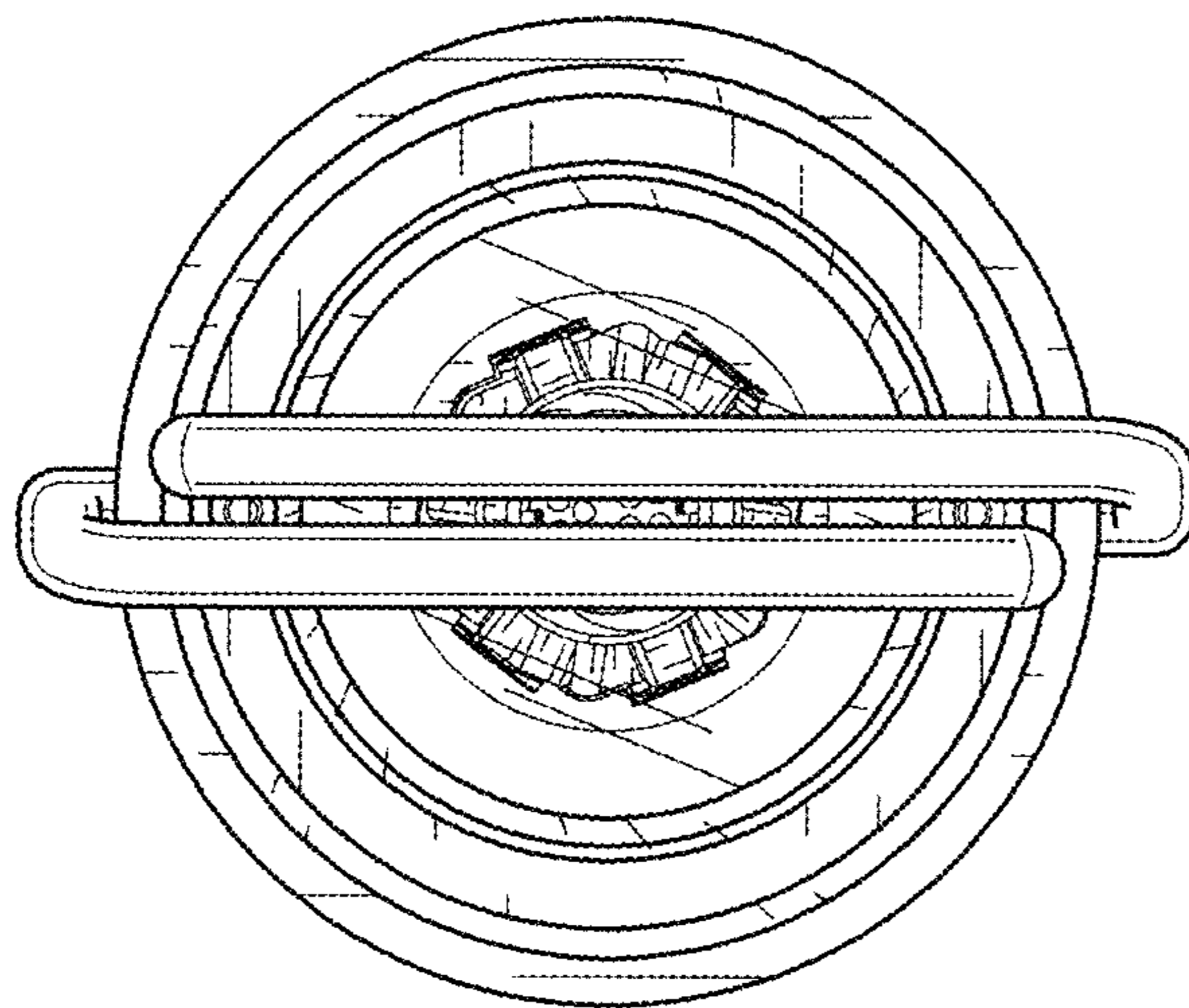


FIG. 6

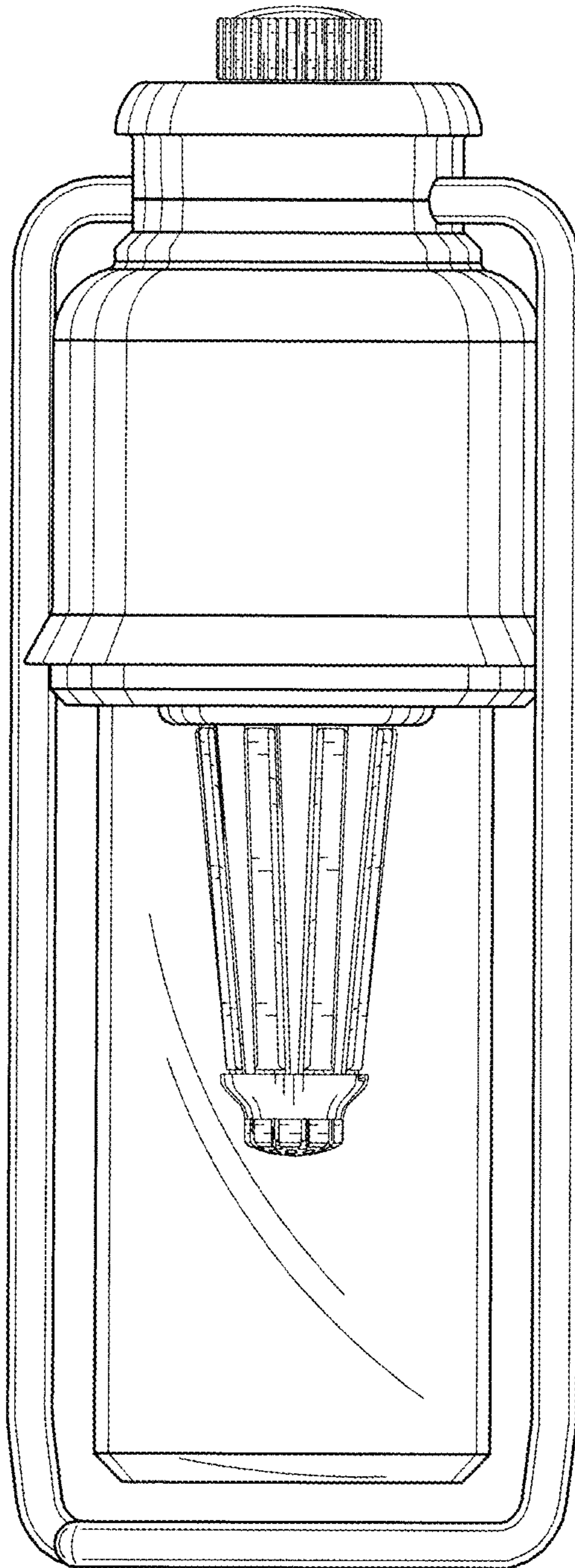


FIG. 7

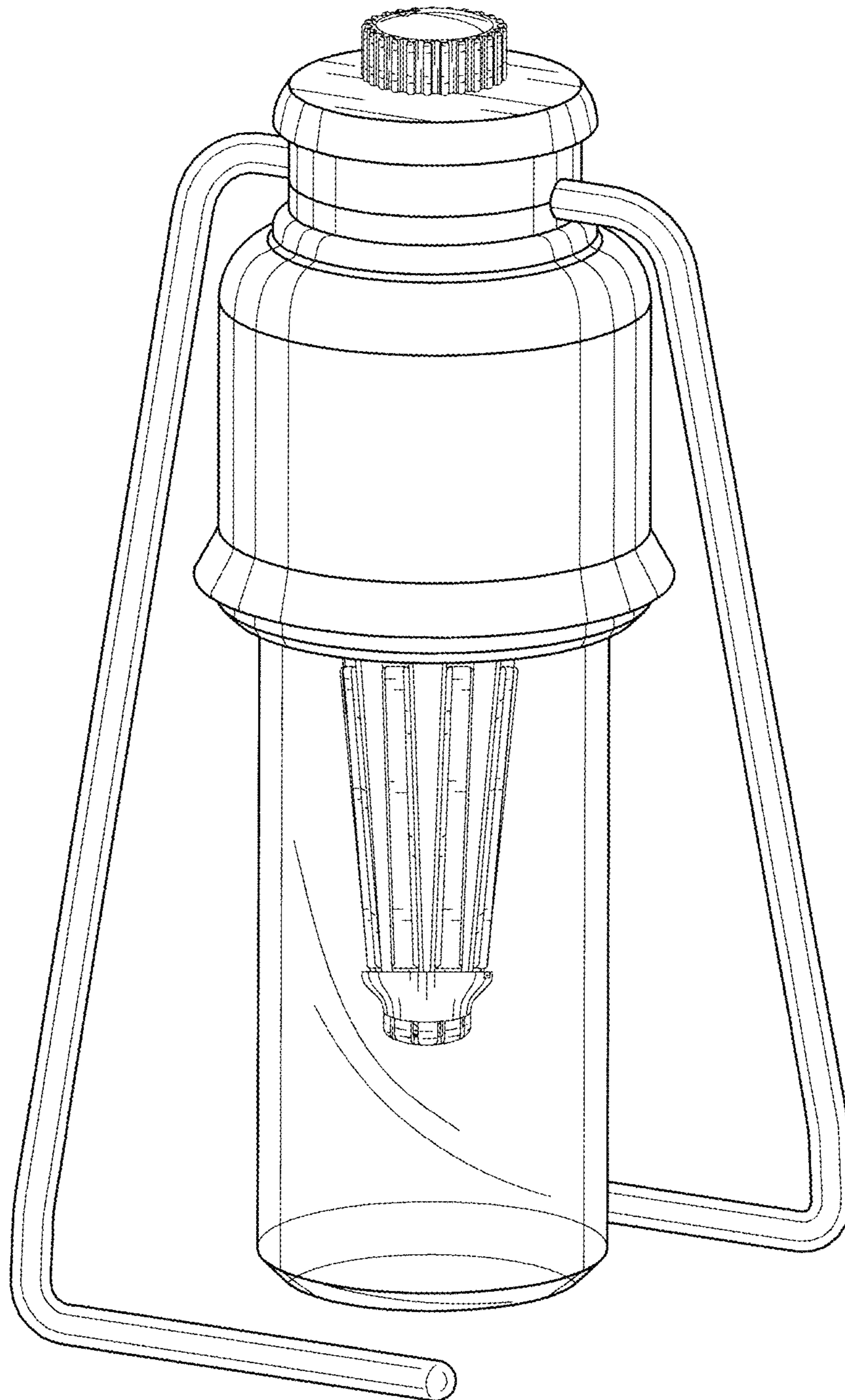


FIG. 8

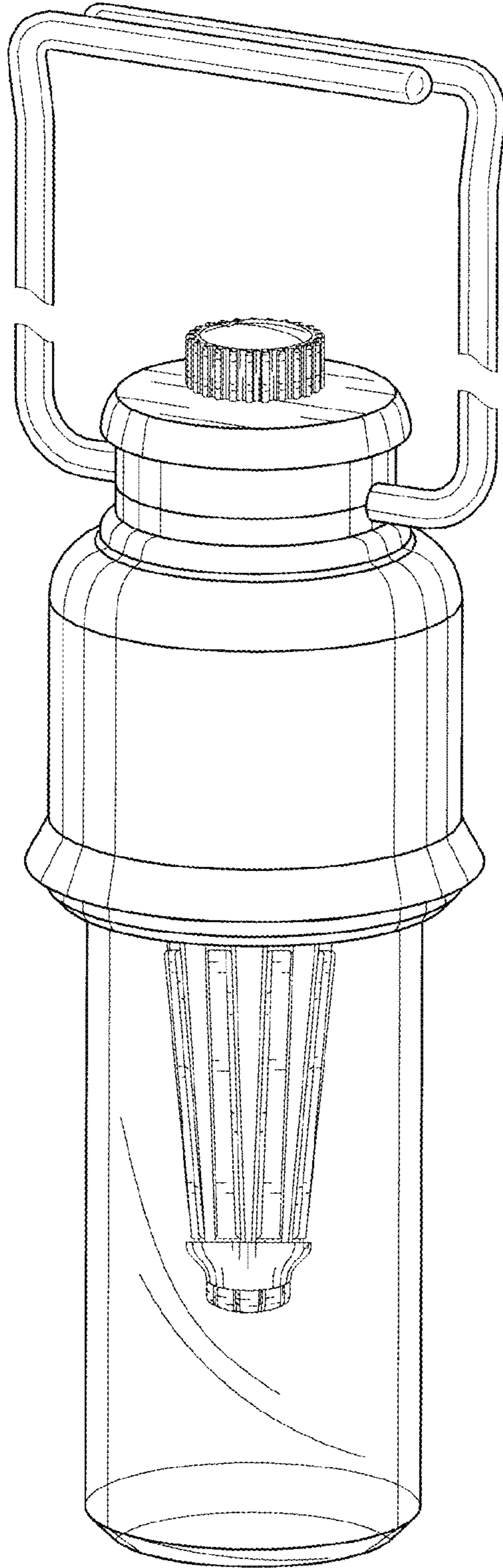


FIG. 9