



US00D770068S

(12) **United States Design Patent**  
**Kapitonov**

(10) **Patent No.:** **US D770,068 S**

(45) **Date of Patent:** **\*\* Oct. 25, 2016**

- (54) **VEHICLE REAR TAILLAMP**
- (71) Applicant: **GM GLOBAL TECHNOLOGY OPERATIONS LLC**, Detroit, MI (US)
- (72) Inventor: **Vladimir Kapitonov**, Farmington, MI (US)
- (73) Assignee: **GM Global Technology Operations LLC**, Detroit, MI (US)

(\*\*) Term: **15 Years**

(21) Appl. No.: **29/537,178**

(22) Filed: **Aug. 24, 2015**

(51) **LOC (10) Cl.** ..... **26-06**

(52) **U.S. Cl.**  
USPC ..... **D26/28**

(58) **Field of Classification Search**  
USPC ..... D26/28-36; 362/459-468, 475-478, 362/485-487  
CPC ..... F21S 48/00; F21S 48/10; F21S 48/115; F21S 48/225; F21S 48/1233; F21S 48/1266; F21S 48/1388; F21S 48/2268; F21V 21/04  
See application file for complete search history.

(56) **References Cited**

**U.S. PATENT DOCUMENTS**

D470,259 S *	2/2003	Horowitz	.....	D26/28
D472,996 S *	4/2003	Horowitz	.....	D26/28
D481,474 S *	10/2003	Yang	.....	D26/28
D570,742 S	6/2008	Takagi et al.		
D592,105 S	5/2009	Dean et al.		
D597,447 S	8/2009	Folden		
D600,595 S	9/2009	Nakamura et al.		
D601,925 S	10/2009	O'Donnell		
D603,755 S	11/2009	Peters		
D604,203 S	11/2009	O'Donnell		
D605,082 S	12/2009	Munson		

D605,083 S	12/2009	Manoogian, II et al.		
D605,977 S	12/2009	Zipfel et al.		
D605,978 S	12/2009	Wolff et al.		
D608,249 S	1/2010	Peters		
D608,690 S	1/2010	Folden et al.		
D608,691 S	1/2010	Zak, Jr. et al.		
D609,608 S	2/2010	Boniface et al.		
D611,387 S	3/2010	Thompson et al.		
D611,879 S	3/2010	Kim et al.		
D612,297 S	3/2010	Peters et al.		
D613,645 S	4/2010	Song et al.		
D615,458 S	5/2010	Thompson et al.		
D618,595 S	6/2010	Ware et al.		
D623,090 S	9/2010	Cox et al.		
D627,262 S	11/2010	Ikeda et al.		
D635,488 S	4/2011	Phipps		
D644,147 S	8/2011	Suh et al.		
D644,567 S	9/2011	Kozub		
D657,718 S	4/2012	Zipfel et al.		
D659,052 S	5/2012	Ware et al.		
D659,053 S	5/2012	Ware et al.		
D661,830 S *	6/2012	de Queiroz	.....	D26/28
D668,182 S	10/2012	Barba Franco		
D668,183 S	10/2012	Smart		
D678,820 S	3/2013	Son et al.		
D678,821 S	3/2013	Ikeda et al.		

(Continued)

*Primary Examiner* — Marcus Jackson  
(74) *Attorney, Agent, or Firm* — Reising Ethington P.C.

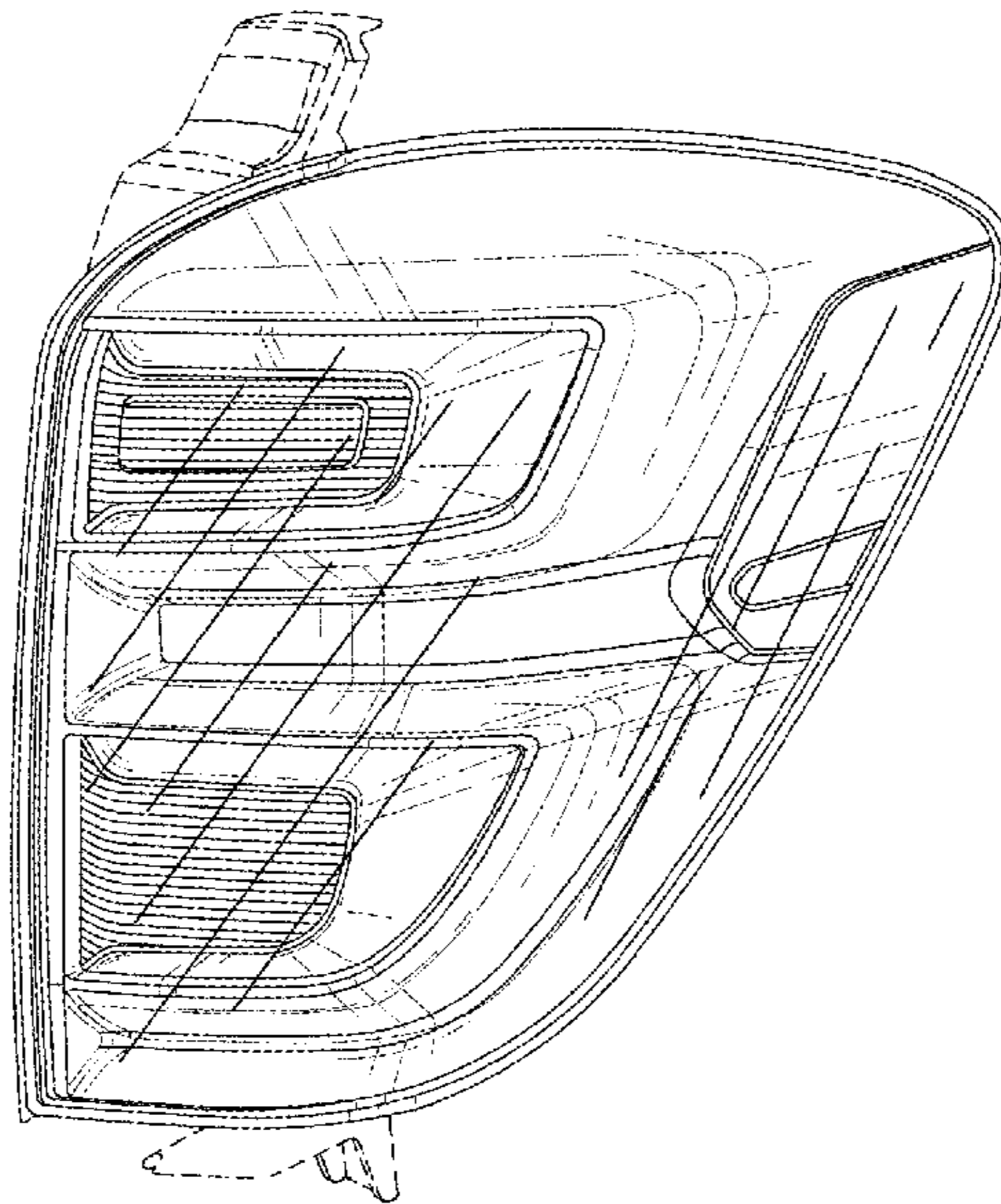
(57) **CLAIM**

The ornamental design for a vehicle rear taillamp, as shown and described.

**DESCRIPTION**

FIG. 1 is a perspective view of the vehicle rear taillamp; FIG. 2 is a side view thereof; FIG. 3 is a front view thereof; and, FIG. 4 is a top view thereof. In the drawings, the portions shown by broken lines form no part of the claimed design.

**1 Claim, 2 Drawing Sheets**



(56)

**References Cited**

U.S. PATENT DOCUMENTS

D680,909 S	4/2013	Munson et al.	D716,696 S	11/2014	Thole et al.	
D680,910 S	4/2013	David	D716,706 S	11/2014	Thole et al.	
D684,899 S	6/2013	Baker	D716,709 S	11/2014	Thole et al.	
D686,536 S	7/2013	McCabe et al.	D717,696 S	11/2014	Thole et al.	
D692,798 S	11/2013	Thurber	D718,189 S	11/2014	Krieg et al.	
D692,799 S	11/2013	Smith et al.	D718,479 S *	11/2014	Lai .....	D26/28
D696,157 S	12/2013	Loeb	D718,683 S	12/2014	Thole et al.	
D699,629 S	2/2014	Ikeda et al.	D722,282 S	2/2015	Loeb	
D700,871 S	3/2014	O'Donnell et al.	D722,533 S	2/2015	Thole et al.	
D703,103 S	4/2014	Lee	D722,534 S	2/2015	Munson et al.	
D703,847 S *	4/2014	MacKay .....	D724,510 S	3/2015	McMahan et al.	
			D725,001 S	3/2015	McMahan et al.	
D704,103 S	5/2014	Mack et al.	D730,776 S	6/2015	Smart	
D705,132 S	5/2014	Ware et al.	D730,783 S	6/2015	Henriques et al.	
D705,699 S	5/2014	Ware et al.	D731,099 S *	6/2015	Thole .....	D26/28
D713,298 S	9/2014	Dyson	D732,435 S	6/2015	Mackay	
D713,764 S	9/2014	Ferlazzo	D735,627 S	8/2015	Smith	
			D736,451 S	8/2015	Smith	

\* cited by examiner

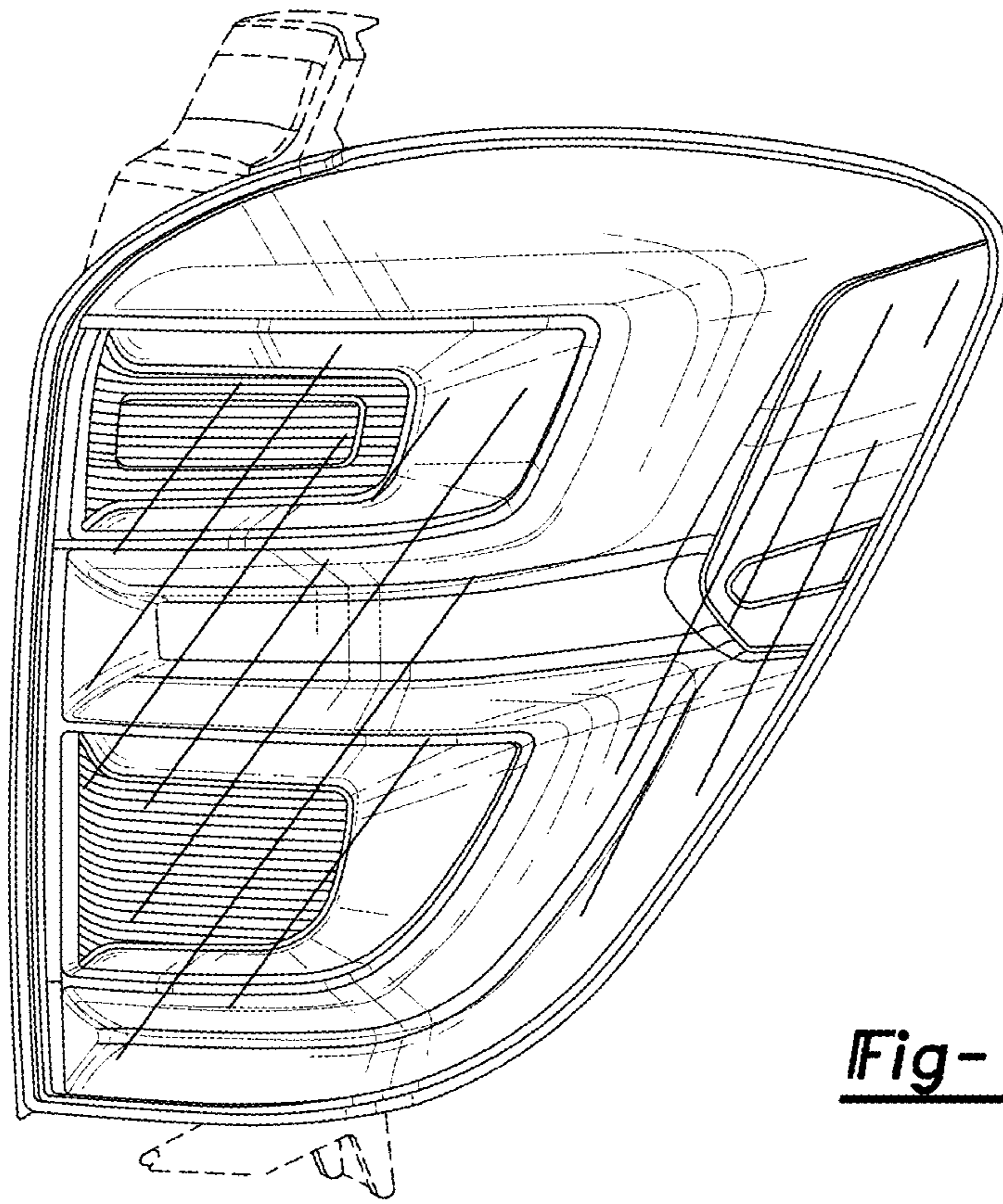


Fig-1

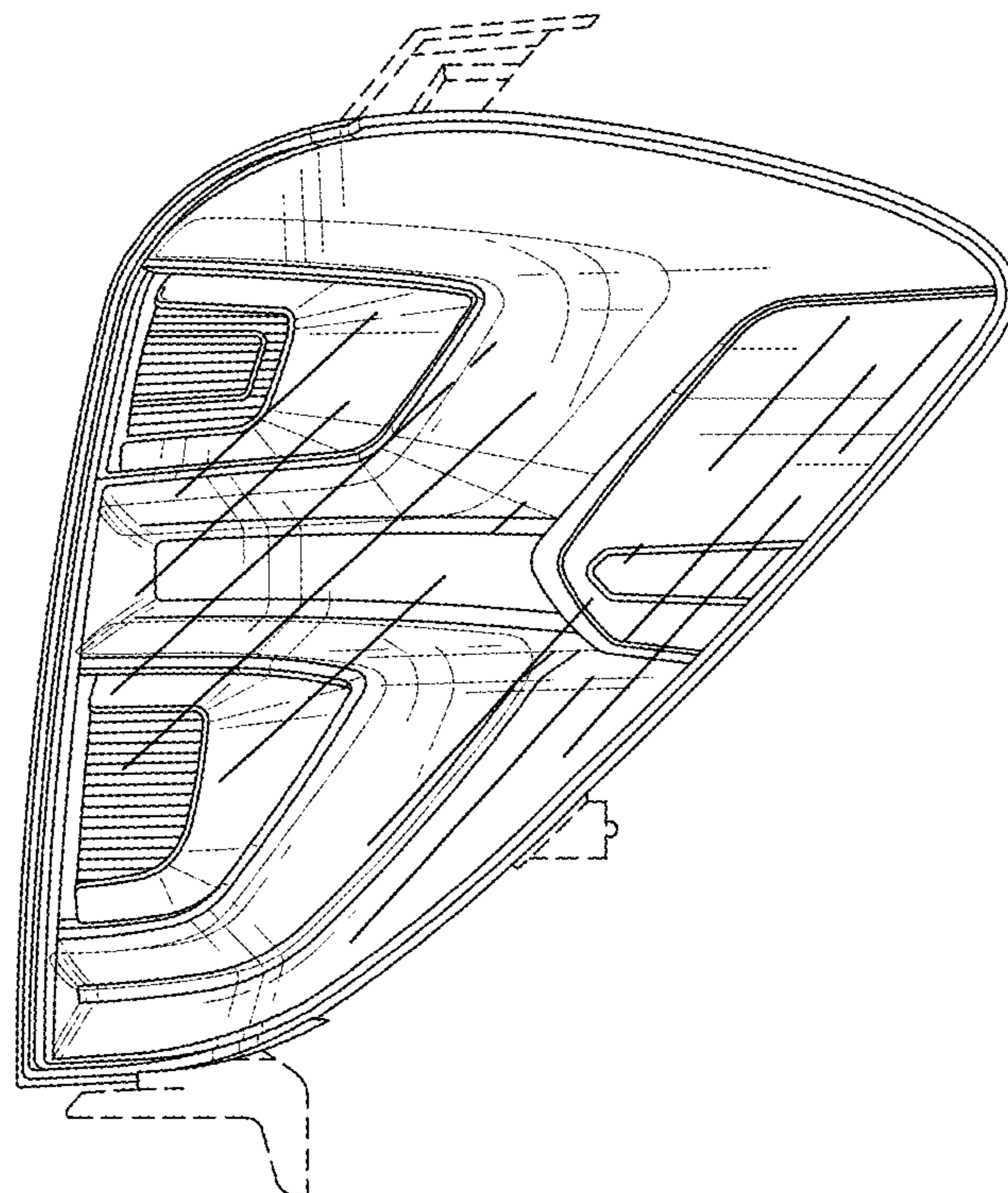


Fig-2

Fig-3

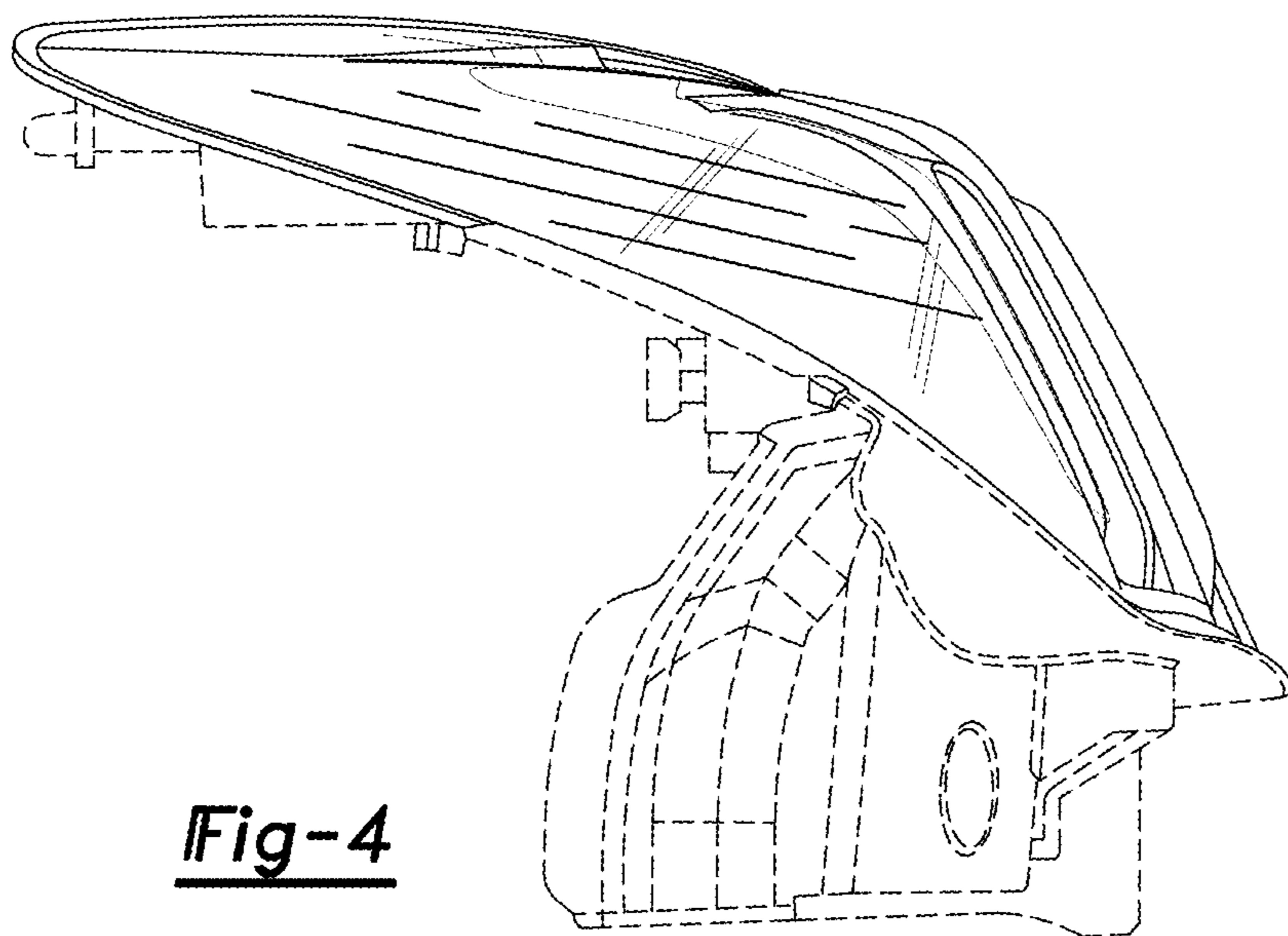
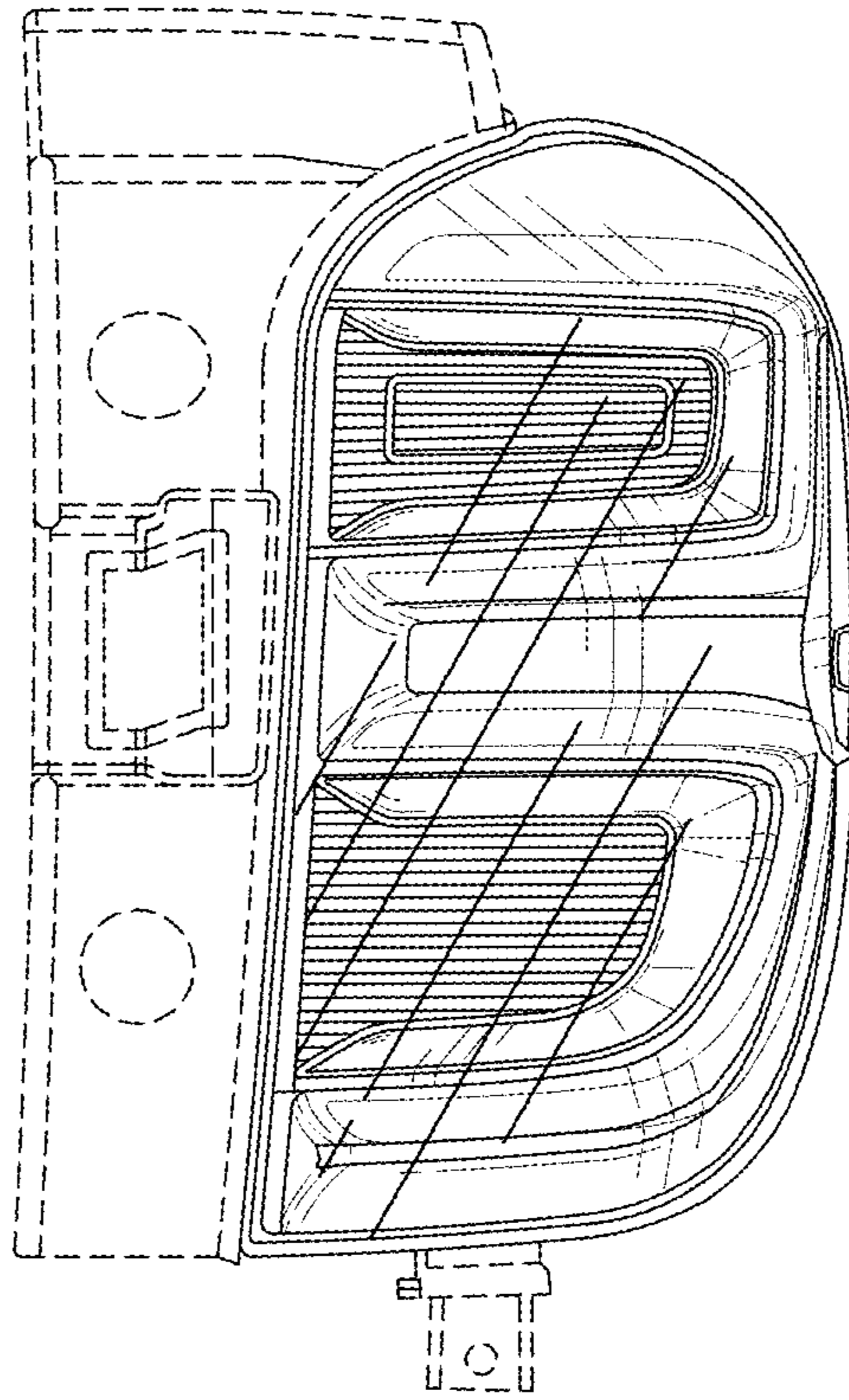


Fig-4