



US00D770066S

(12) **United States Design Patent** (10) **Patent No.:** **US D770,066 S**
Schneider (45) **Date of Patent:** **** Oct. 25, 2016**

(54) **TAILLIGHT FOR A VEHICLE**
(71) Applicant: **Bayerische Motoren Werke Aktiengesellschaft, Munich (DE)**
(72) Inventor: **Alexander Schneider, Munich (DE)**
(73) Assignee: **Bayerische Motoren Werke Aktiengesellschaft, Munich (DE)**

D540,714 S * 4/2007 Mueller-Stolz D12/91
D549,366 S * 8/2007 Hovind D26/28
7,775,698 B2 * 8/2010 Shoji B60Q 1/0683
362/459
D642,711 S 8/2011 Schneider
D654,197 S 2/2012 Szews et al.
D750,819 S * 3/2016 Schneider D26/28
D756,001 S * 5/2016 Schneider D26/28

(**) Term: **14 Years**
(21) Appl. No.: **29/497,497**
(22) Filed: **Jul. 25, 2014**

FOREIGN PATENT DOCUMENTS

WO DM/072780 6/2010
WO DM/074972 6/2011
WO DM/082080 5/2014

* cited by examiner

(30) **Foreign Application Priority Data**
Jan. 28, 2014 (DE) 40 2014 100 065

Primary Examiner — Ian Simmons
Assistant Examiner — Harold Blackwell, II
(74) *Attorney, Agent, or Firm* — Crowell & Moring LLP

(51) **LOC (10) Cl.** **26-06**
(52) **U.S. Cl.**
USPC **D26/28**

(57) **CLAIM**
The ornamental design for a taillight for a vehicle, as shown and described.

(58) **Field of Classification Search**
USPC D26/28-36; 362/459-476, 485-487,
362/543-549; D12/163, 170, 171
CPC F21S 48/00; F21S 8/10; F21S 48/10;
F21S 48/1195
See application file for complete search history.

DESCRIPTION

This application contains subject matter related to the following co-pending U.S. design patent application: Application Ser. No. 29/497,495, filed herewith and entitled "Vehicle, Toy, and/or Replicas Thereof". FIG. 1 is a front view of a taillight for a vehicle according to the design; FIG. 2 is a left perspective view thereof; FIG. 3 is a right perspective view thereof; FIG. 4 is a left side view thereof; FIG. 5 is a right side view thereof; FIG. 6 is a top view thereof; FIG. 7 is a bottom view thereof; and, FIG. 8 is a rear view thereof.

(56) **References Cited**
U.S. PATENT DOCUMENTS
D423,700 S * 4/2000 Hayashi D26/28
D460,574 S * 7/2002 Horowitz D26/28
D472,990 S * 4/2003 Horowitz D26/28
D475,474 S * 6/2003 Hsieh D26/28
D477,101 S * 7/2003 Horowitz D26/28
D486,596 S * 2/2004 Chen D26/28
D486,928 S * 2/2004 Li D26/28

1 Claim, 8 Drawing Sheets

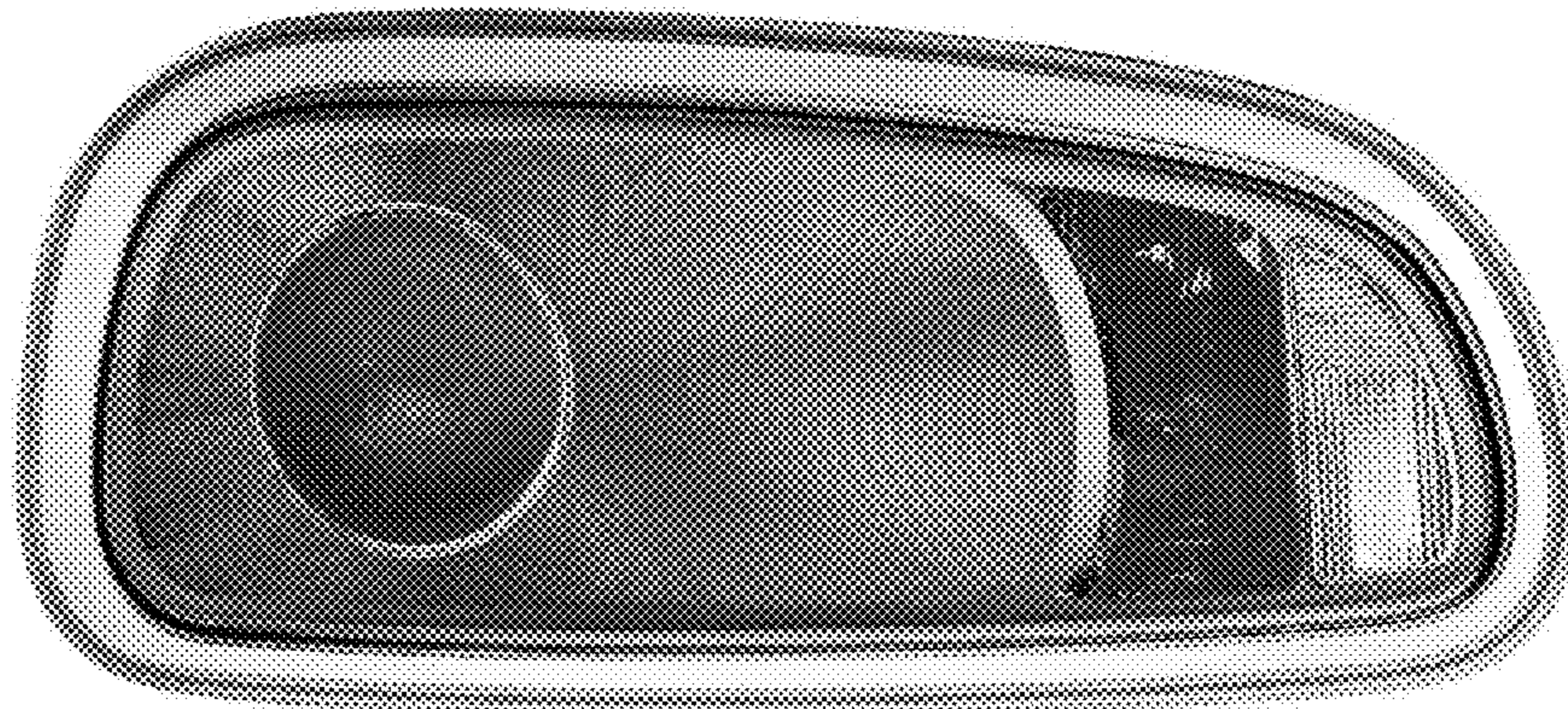




Fig. 1



Fig. 2



Fig. 3



Fig. 4



Fig. 5



Fig. 6

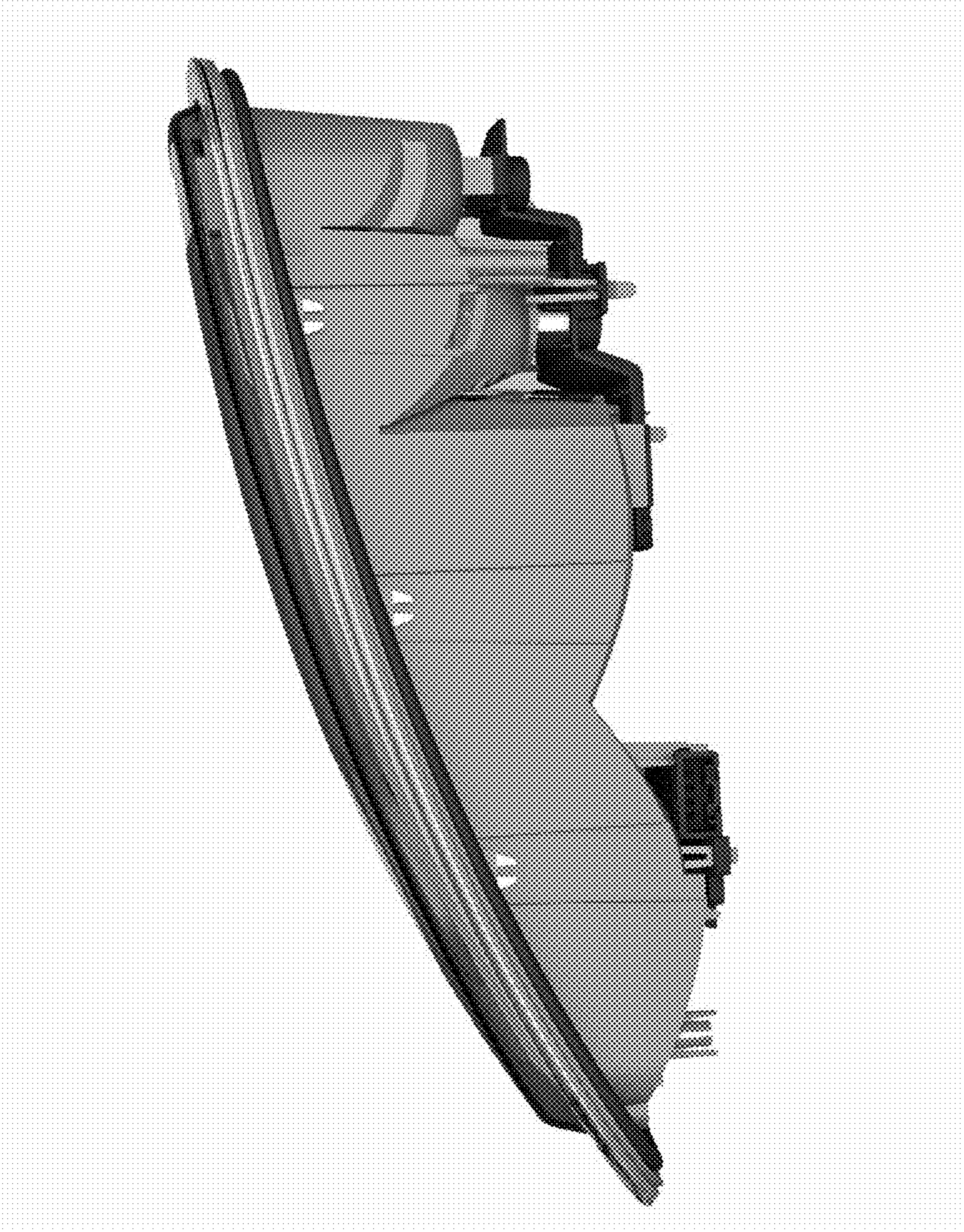


Fig. 7



Fig. 8