



US00D770065S

(12) **United States Design Patent** (10) **Patent No.:** **US D770,065 S**  
**Title** (45) **Date of Patent:** **\*\* Oct. 25, 2016**

(54) **SMD LED BOAT PLUG LIGHT FIXTURE**  
(71) Applicant: **Gerry Tittle**, Cleburne, TX (US)  
(72) Inventor: **Gerry Tittle**, Cleburne, TX (US)  
(\*\*) Term: **14 Years**  
(21) Appl. No.: **29/520,049**  
(22) Filed: **Mar. 10, 2015**  
(51) **LOC (10) Cl.** ..... **26-03**  
(52) **U.S. Cl.**  
USPC ..... **D26/24; D26/57**  
(58) **Field of Classification Search**  
USPC ..... D26/1, 24, 57; D8/387  
CPC .... F16B 35/00; F16B 35/06; F16B 23/0069;  
F16B 23/00; F16B 23/0007; F16B 33/00;  
F16B 33/002; F16B 33/02; F16B 23/0015;  
F16B 25/00; F16B 37/122; F16B 25/0026;  
Y10S 411/919; Y10S 411/91  
See application file for complete search history.

D666,486 S \* 9/2012 Czipri ..... D8/387  
D708,510 S \* 7/2014 Lin ..... D8/387  
D722,489 S \* 2/2015 Yamazaki ..... D8/387  
D726,531 S \* 4/2015 Muzic ..... D8/387  
D739,220 S \* 9/2015 Lee ..... D8/387

\* cited by examiner

*Primary Examiner* — Brian N Vinson  
(74) *Attorney, Agent, or Firm* — Dunlap Bennett & Ludwig PLLC

(57) **CLAIM**  
The ornamental design for a SMD LED boat plug light fixture, as shown and described.

**DESCRIPTION**

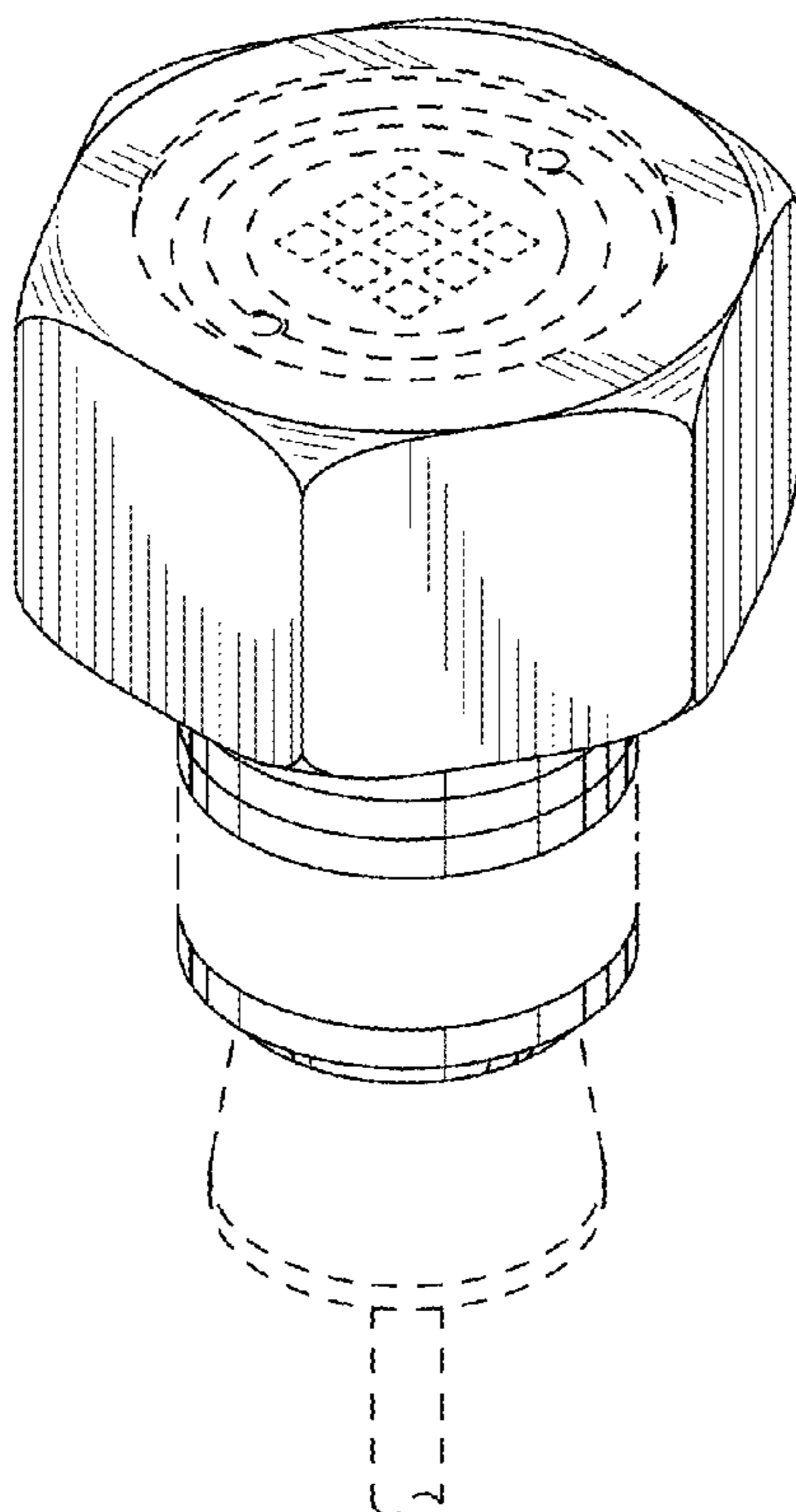
FIG. 1 is a perspective front view of a SMD LED boat plug light fixture;  
FIG. 2 is a front elevation view thereof;  
FIG. 3 is a right elevation view thereof;  
FIG. 4 is a rear elevation view thereof;  
FIG. 5 is a left side elevation view thereof;  
FIG. 6 is a top plan view thereof; and,  
FIG. 7 is a bottom plan view thereof.  
The broken lines shown in the drawings illustrate portions of the SMD LED boat plug light fixture that form no part of the claimed design.

(56) **References Cited**

U.S. PATENT DOCUMENTS

D415,016 S \* 10/1999 Murguia ..... D8/387  
D558,042 S \* 12/2007 Gaudron ..... D8/387  
D584,137 S \* 1/2009 Edge, Jr. .... D8/387  
D589,786 S \* 4/2009 Suehiro ..... D8/387  
D615,855 S \* 5/2010 Gaudron ..... D8/387  
D637,479 S \* 5/2011 Matsubayashi ..... D8/387

**1 Claim, 4 Drawing Sheets**



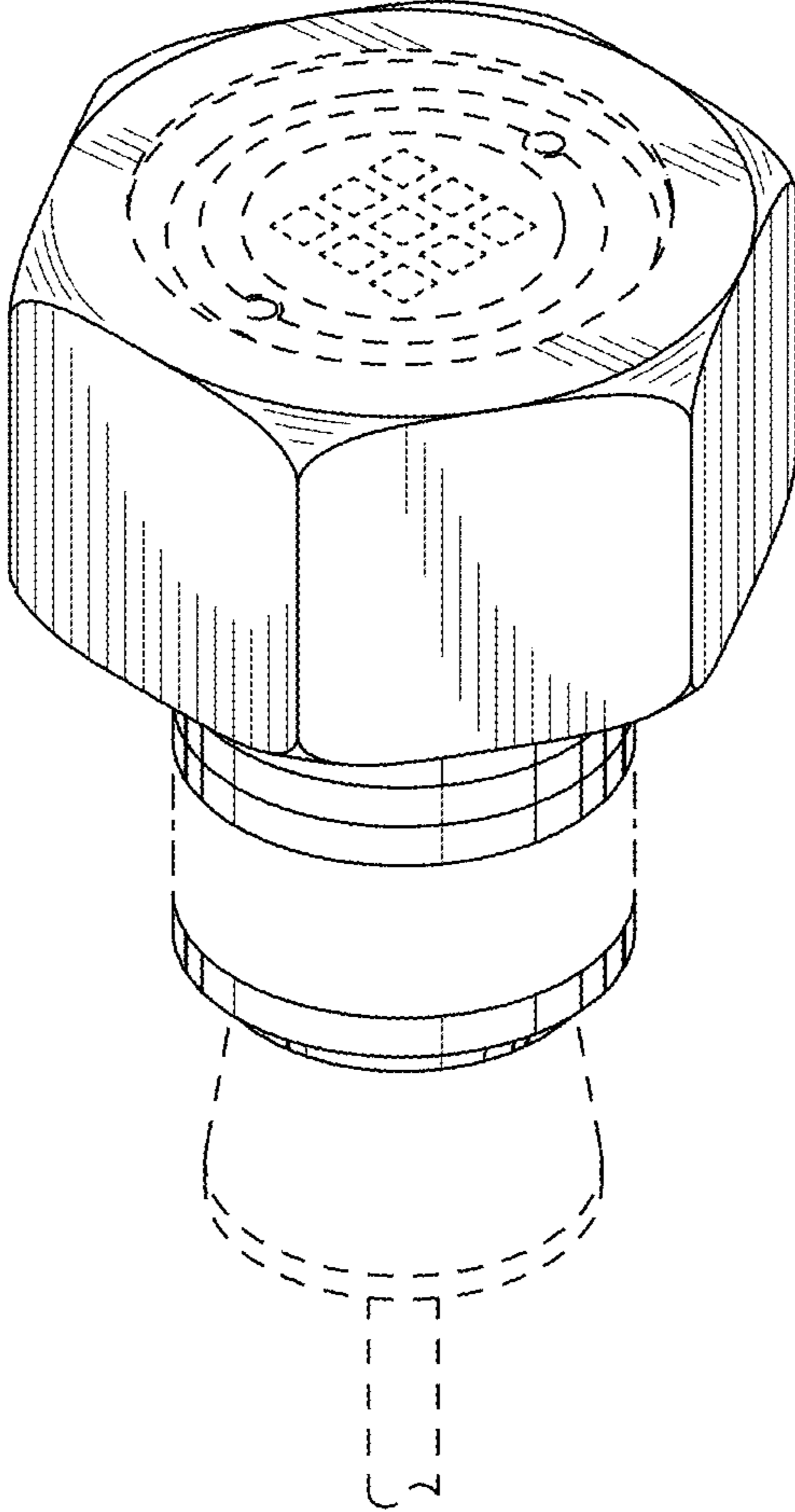


FIG. 1

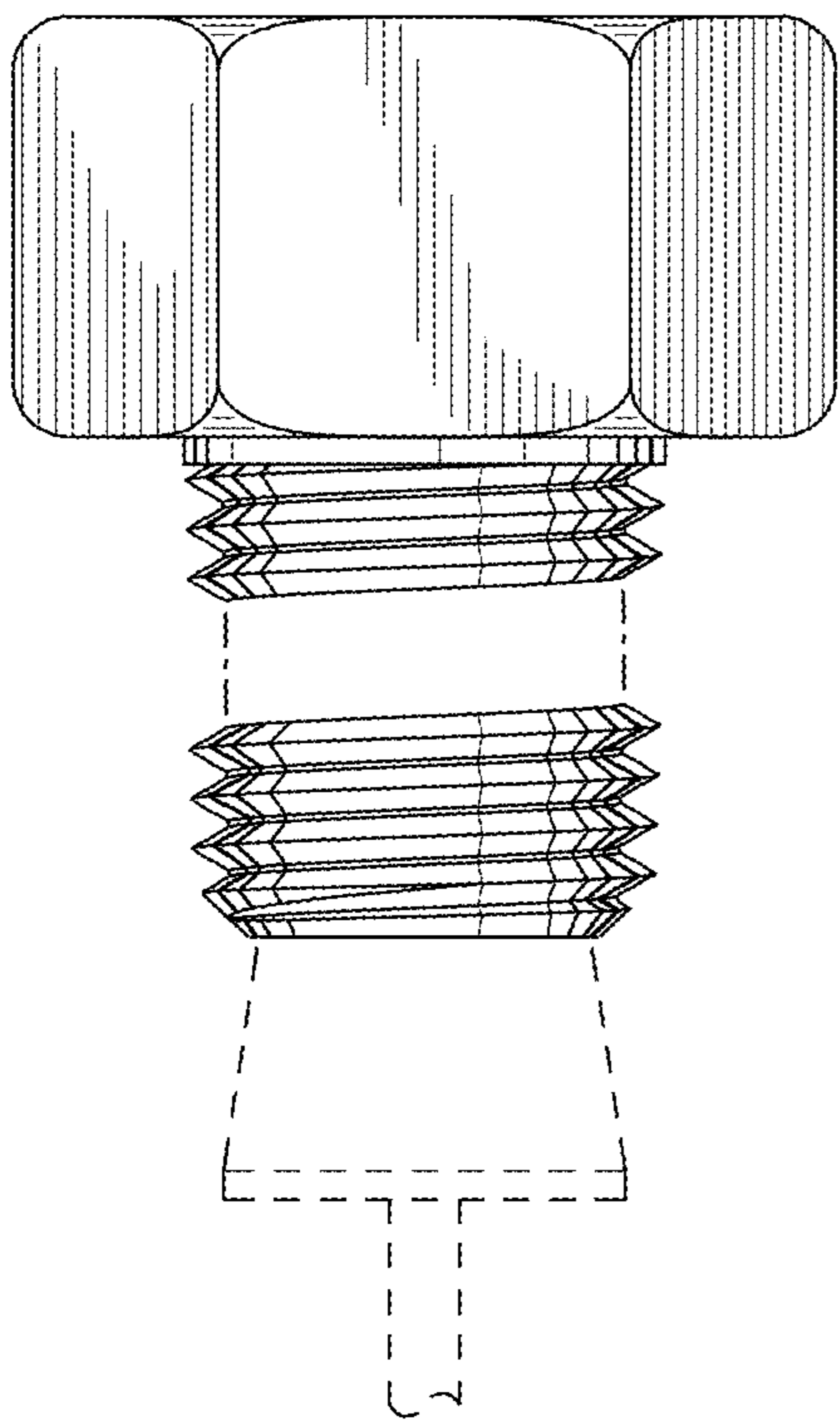


FIG. 2

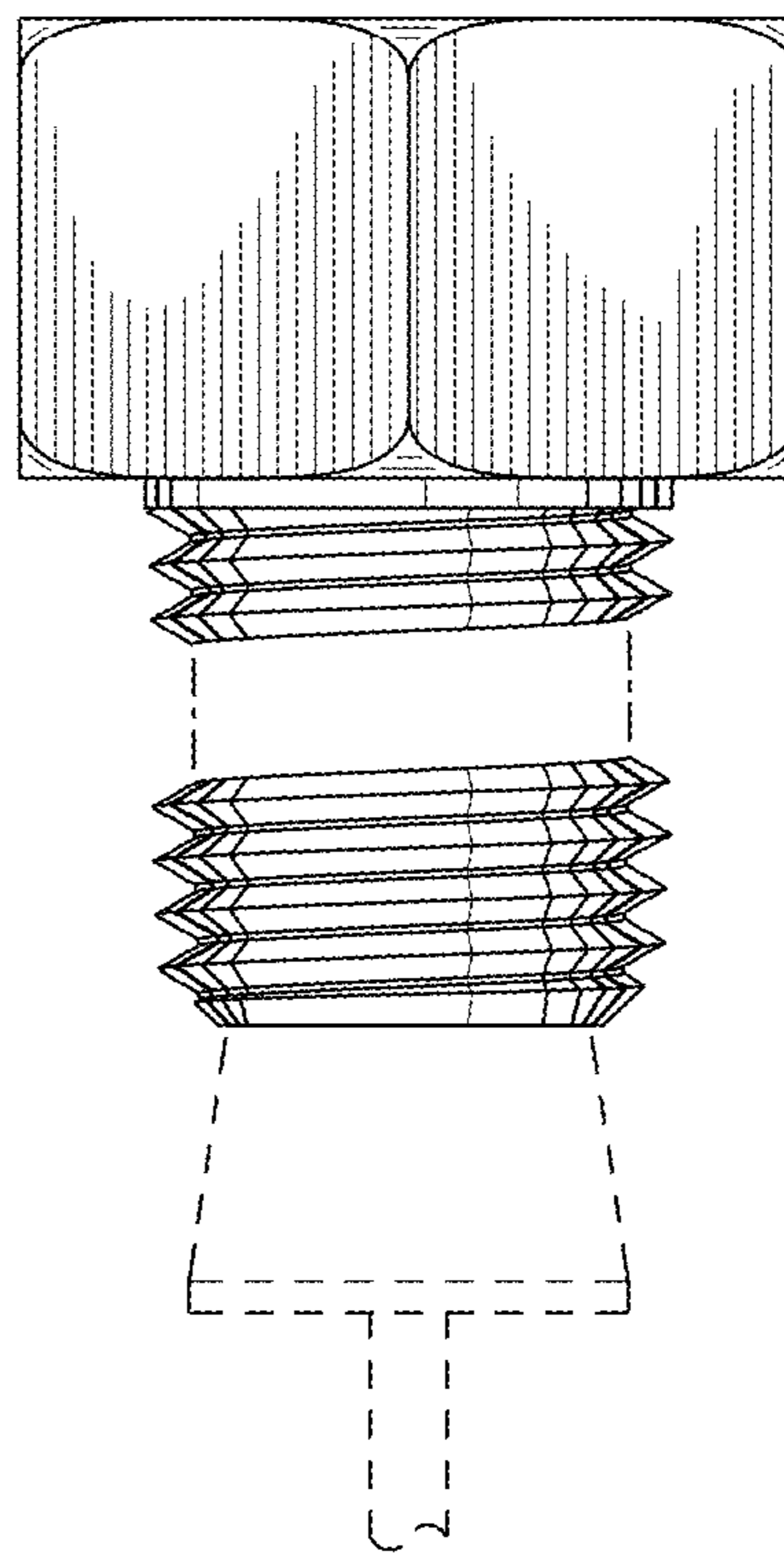


FIG. 3

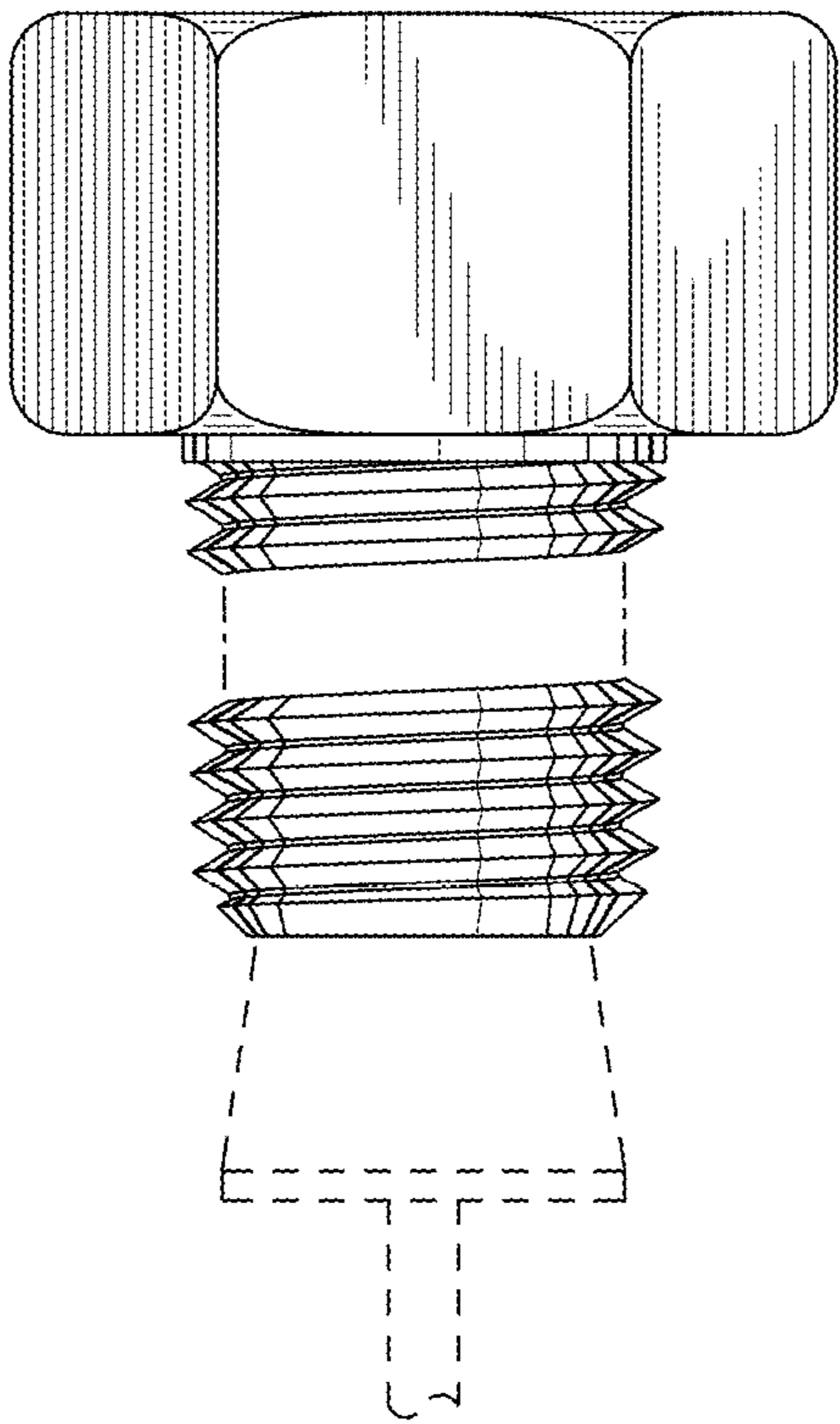


FIG. 4

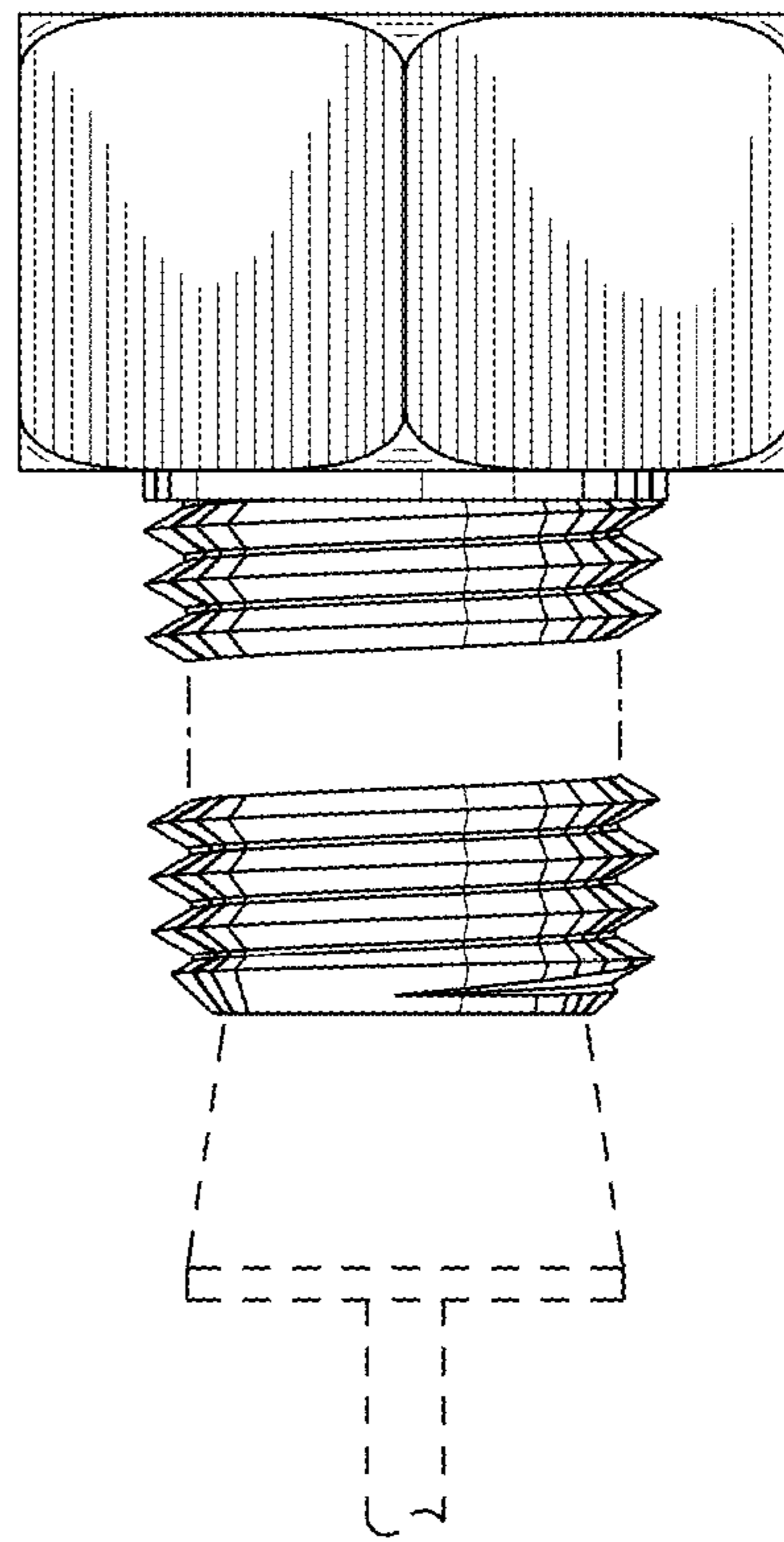


FIG. 5

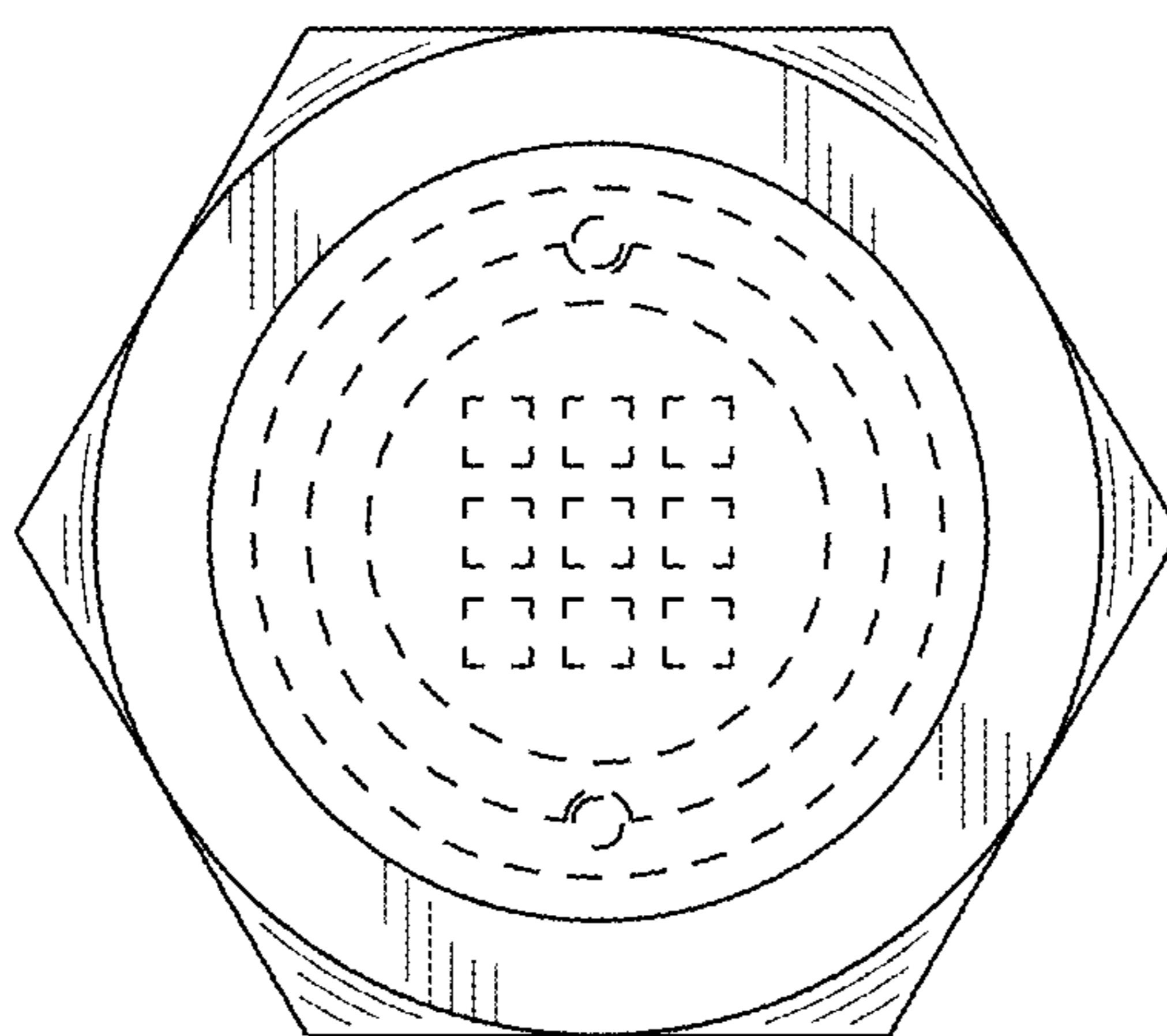


FIG. 6

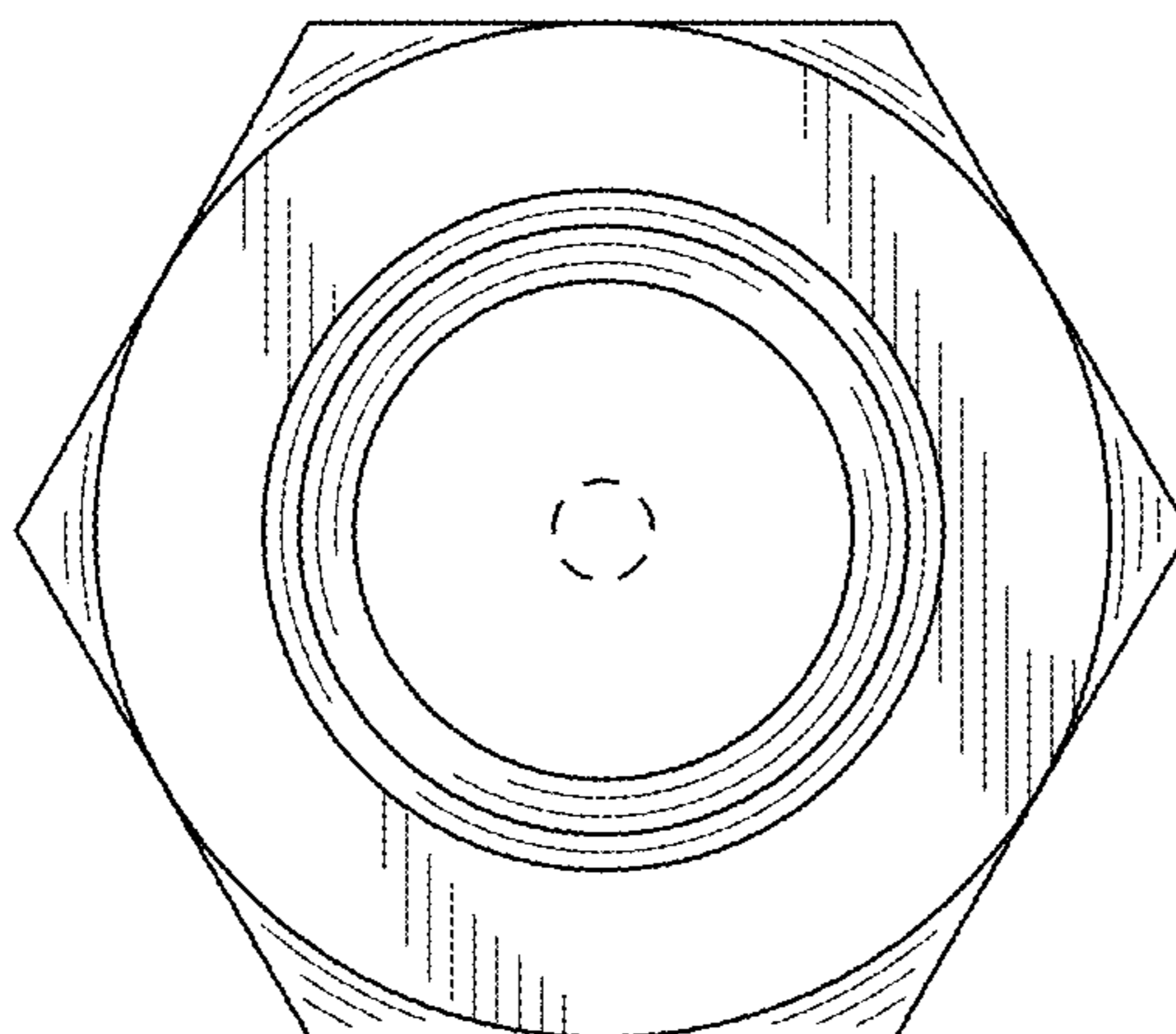


FIG. 7