



US00D770063S

(12) **United States Design Patent**
Ding et al.

(10) **Patent No.:** **US D770,063 S**
(45) **Date of Patent:** **** Oct. 25, 2016**

(54) **LED LAMP**

D545,456 S * 6/2007 Foo D26/2
D586,928 S * 2/2009 Liu D26/2
D601,722 S * 10/2009 Foo D26/2
D647,646 S * 10/2011 Tsung D26/2

(71) Applicant: **SENGLED OPTOELECTRONICS CO., LTD**, Tongxiang (CN)

(72) Inventors: **Gang Ding**, Tongxiang (CN); **Jinxiang Shen**, Tongxiang (CN)

* cited by examiner

Primary Examiner — Marcus Jackson

(73) Assignee: **SENGLED OPTOELECTRONICS CO., LTD**, Tongxiang (CN)

(74) *Attorney, Agent, or Firm* — Anova Law Group, PLLC

(**) Term: **15 Years**

(21) Appl. No.: **29/532,918**

(57) **CLAIM**

The ornamental design for a LED lamp, as shown and described.

(22) Filed: **Jul. 11, 2015**

(51) **LOC (10) Cl.** **26-04**

(52) **U.S. Cl.**
USPC **D26/2**

(58) **Field of Classification Search**
USPC D26/1-4; 313/313, 315, 316, 317, 318, 313/493; 315/52, 53, 56, 57, 58
CPC F21V 5/00; F21K 9/13; F21K 9/135; F21K 9/1375; H01J 5/48; H01J 5/50; H01J 19/54

See application file for complete search history.

DESCRIPTION

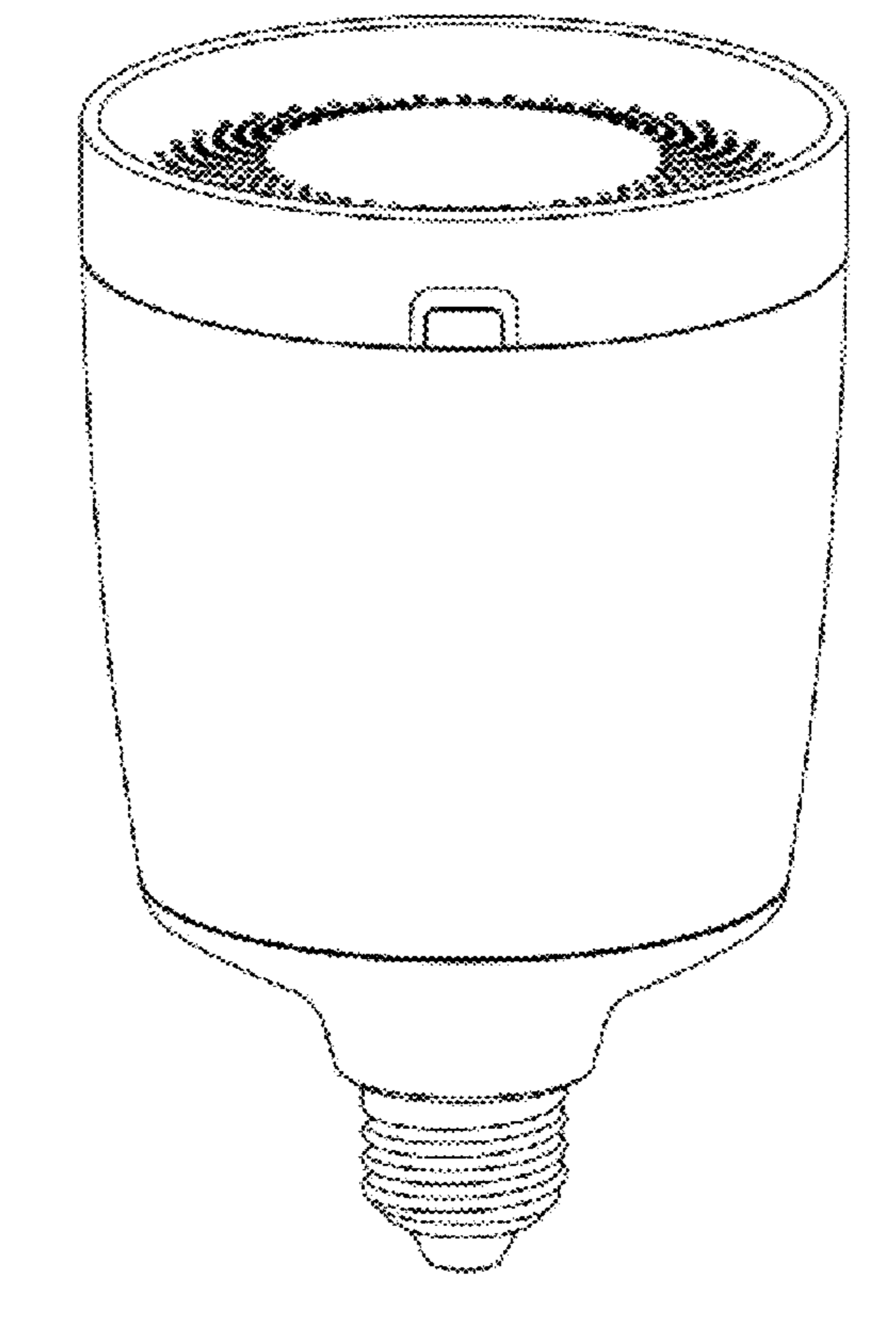
FIG. 1 is a perspective view of a LED lamp in accordance with the present invention;
FIG. 2 is a front view of the LED lamp shown in FIG. 1;
FIG. 3 is a back view of the LED lamp shown in FIG. 1;
FIG. 4 is a left side view of the LED lamp shown in FIG. 1;
FIG. 5 is a right side view of the LED lamp shown in FIG. 1;
FIG. 6 is a top view of the LED lamp shown in FIG. 1; and,
FIG. 7 is a bottom view of the LED lamp shown in FIG. 1.

(56) **References Cited**

U.S. PATENT DOCUMENTS

D498,007 S * 11/2004 Bobel D26/2
D534,664 S * 1/2007 Geens D26/128

1 Claim, 7 Drawing Sheets



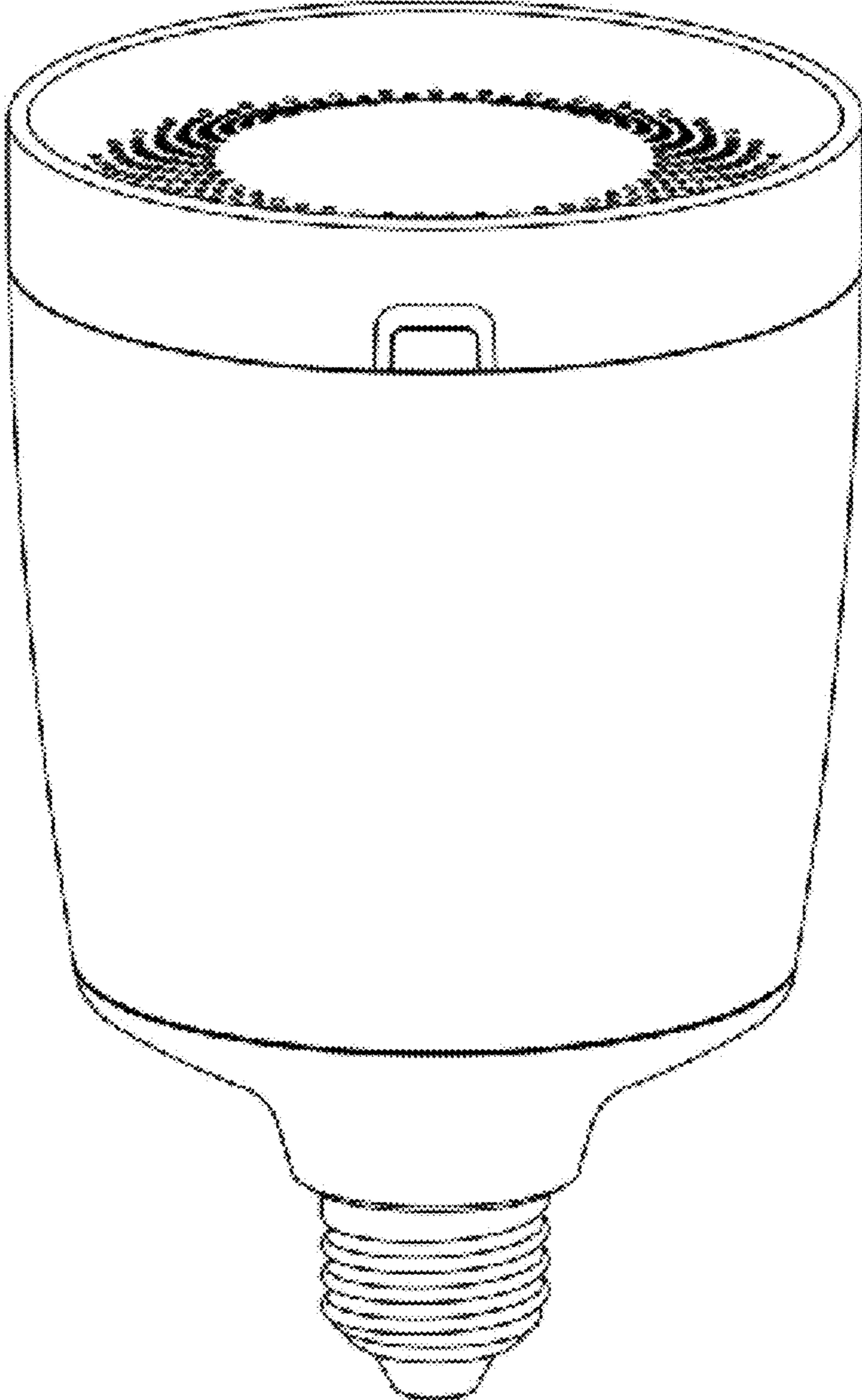


FIG. 1

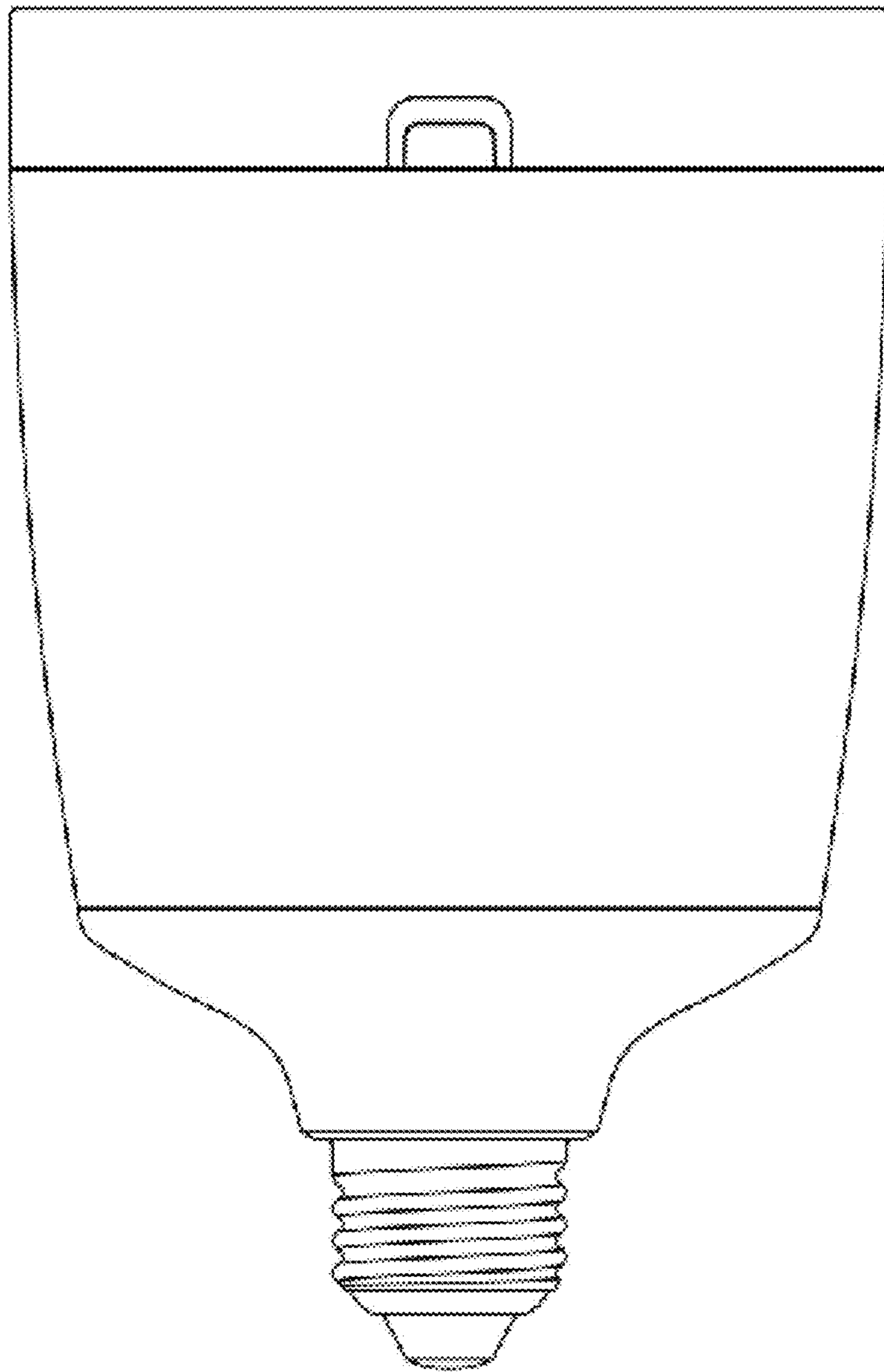


FIG. 2

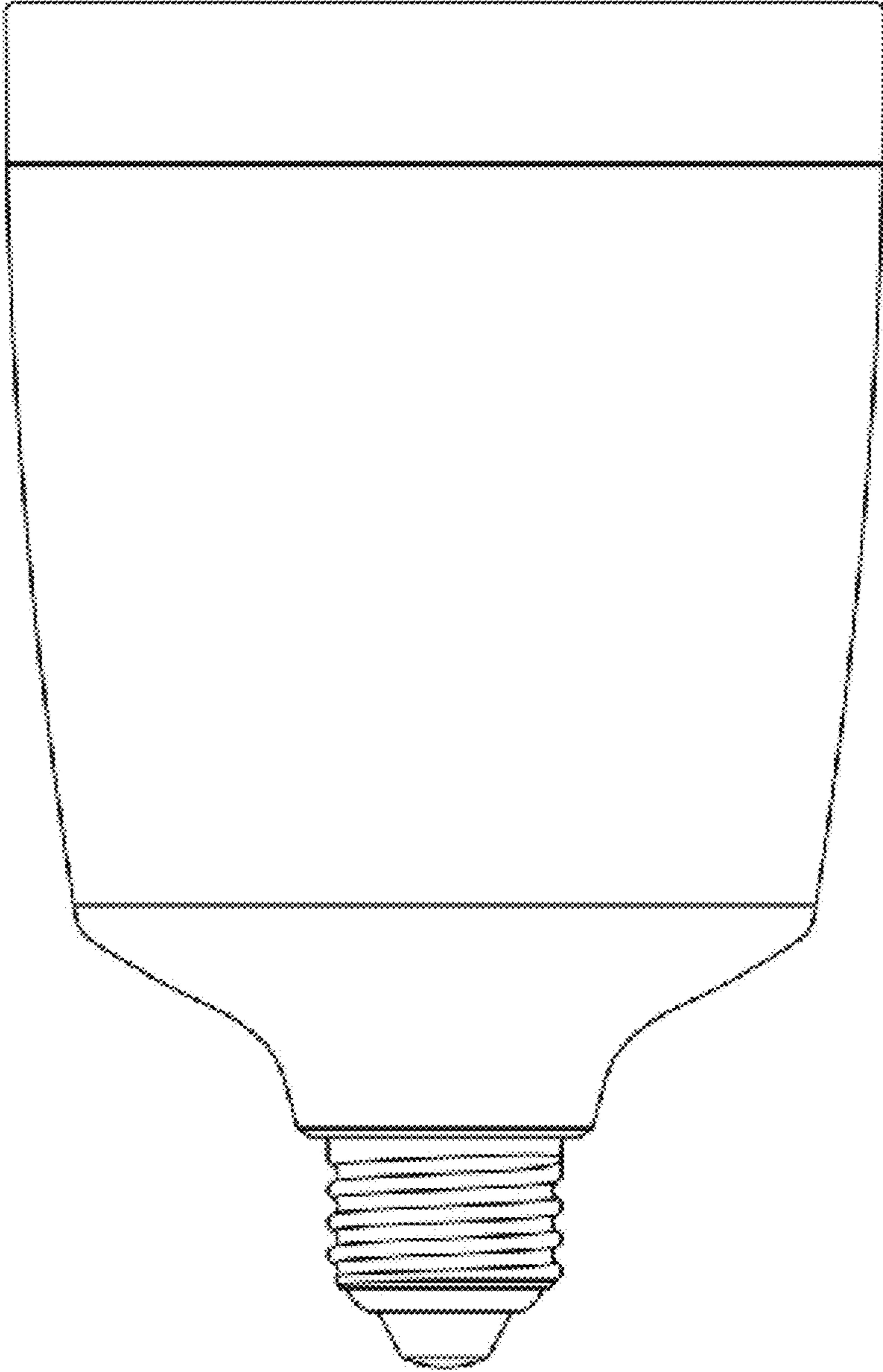


FIG. 3

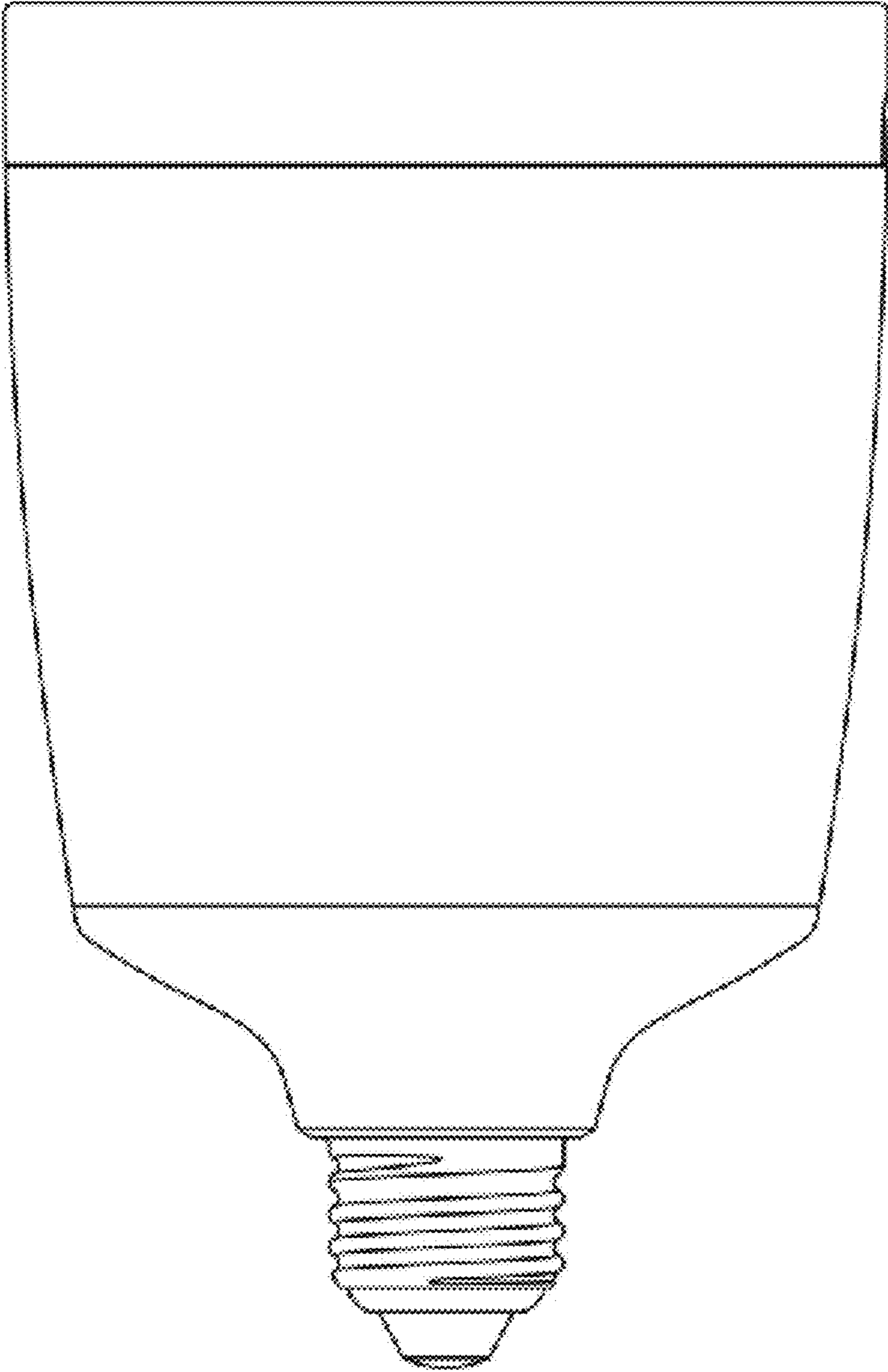


FIG. 4

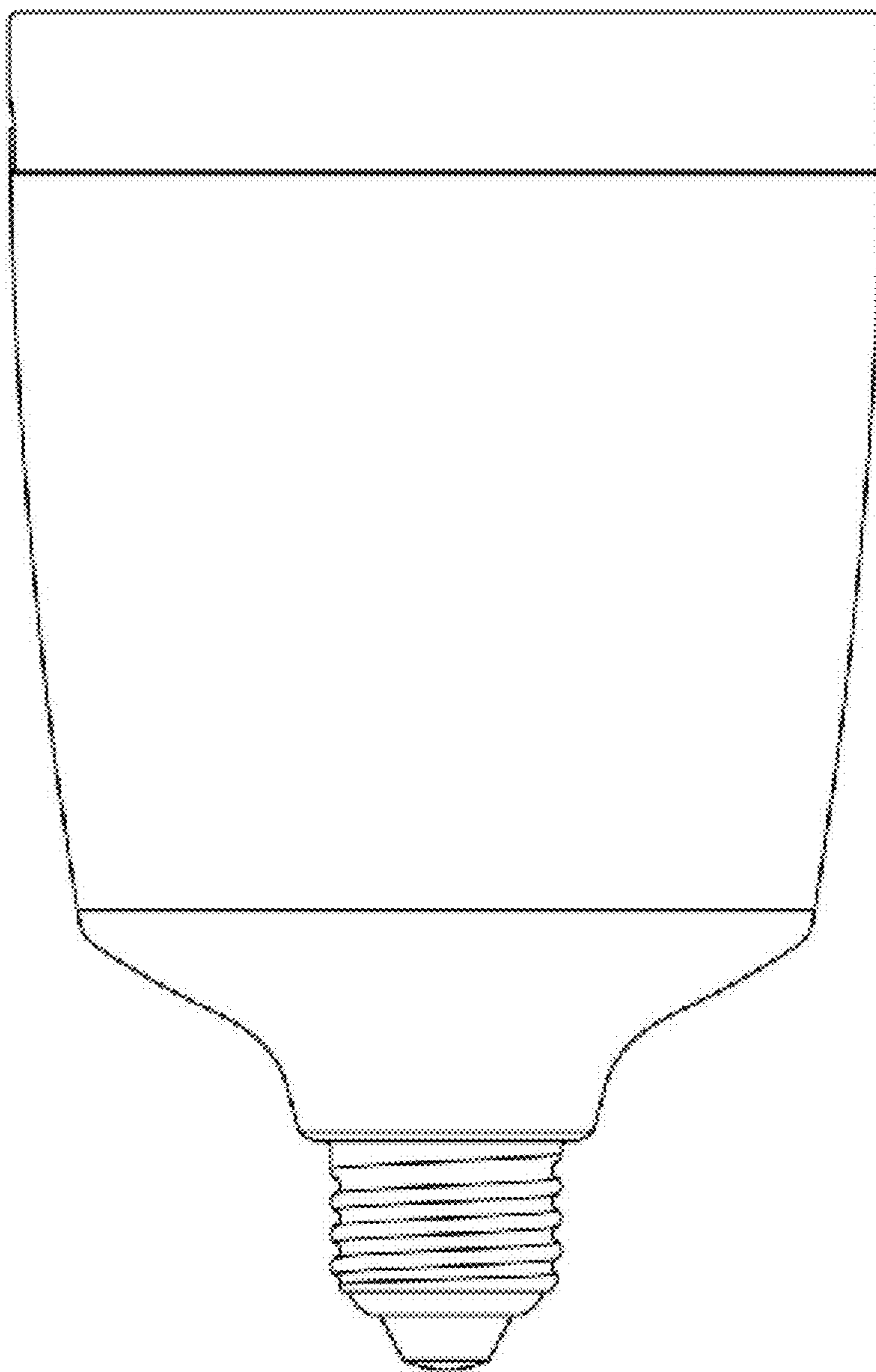


FIG. 5

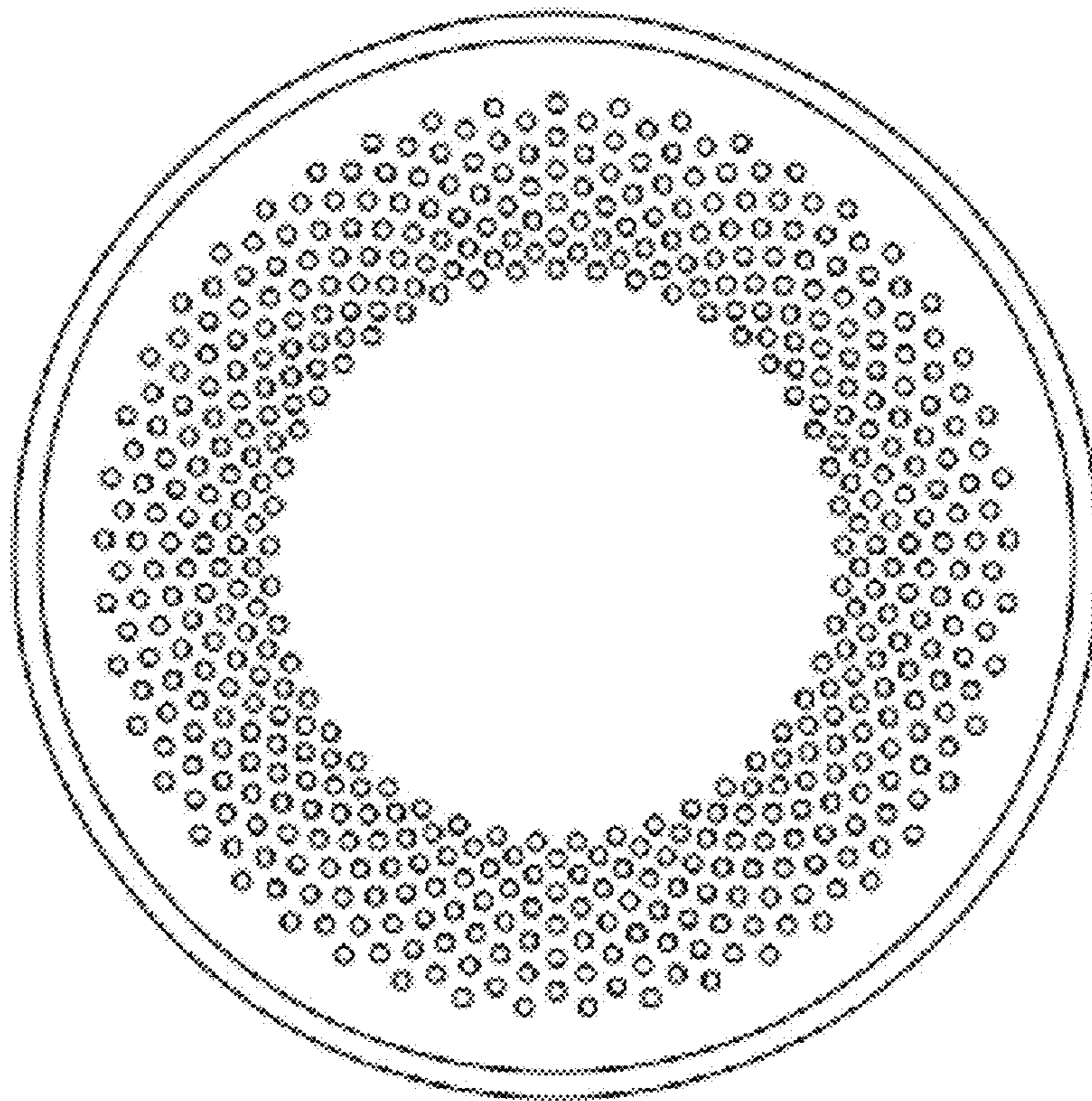


FIG. 6

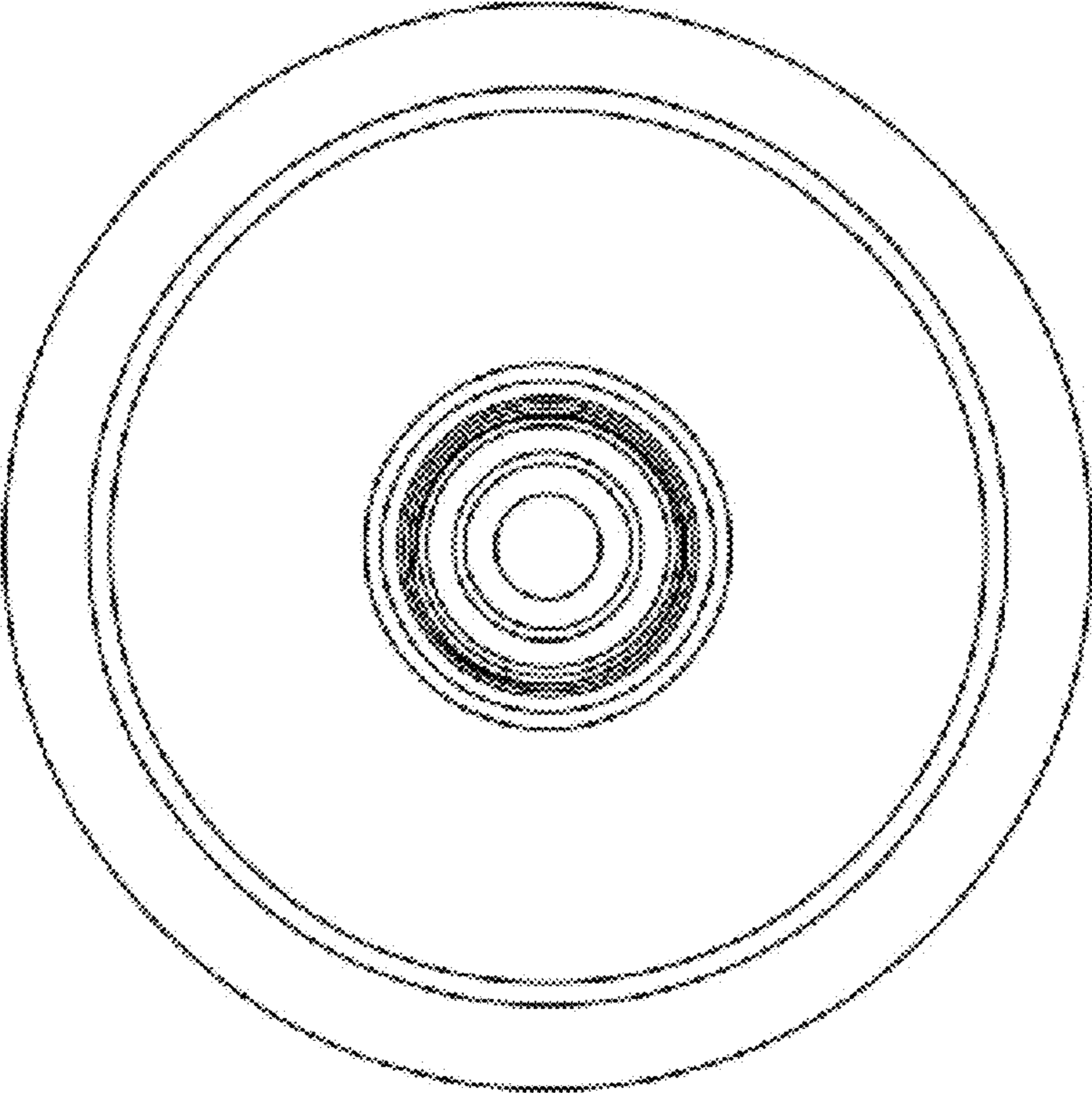


FIG. 7