



US00D770062S

(12) **United States Design Patent**  
**Peng et al.**

(10) **Patent No.:** **US D770,062 S**  
(45) **Date of Patent:** **\*\* Oct. 25, 2016**

(54) **LIGHT-EMITTING UNIT**

(71) Applicant: **KAISTAR Lighting (Xiamen) Co., Ltd**, Xiamen (CN)  
(72) Inventors: **Jie Peng**, Xiamen (CN); **Shenbo Lin**, Xiamen (CN)  
(73) Assignee: **KAISTAR Lighting (Xiamen) Co., Ltd**, Xiamen (CN)

(\*\*) Term: **15 Years**

(21) Appl. No.: **29/527,669**

(22) Filed: **May 21, 2015**

(30) **Foreign Application Priority Data**

Feb. 3, 2015 (CN) ..... 2015 3 0031710

(51) **LOC (10) Cl.** ..... **26-04**

(52) **U.S. Cl.**  
USPC ..... **D26/1; D13/180**

(58) **Field of Classification Search**  
USPC ..... D26/1; D13/180; 313/313, 315, 316, 313/317, 318, 493; 315/52, 53, 56, 57, 58  
CPC ..... H01J 5/48; H01J 5/50; H01J 19/54; F21V 5/00

See application file for complete search history.

(56) **References Cited**

U.S. PATENT DOCUMENTS

D528,672 S \* 9/2006 Nagai ..... D26/1  
D535,037 S \* 1/2007 Kim ..... D26/1  
D576,574 S \* 9/2008 Kobayakawa ..... D13/180  
D578,671 S \* 10/2008 Kanayama ..... D26/1

\* cited by examiner

*Primary Examiner* — Marcus Jackson

(74) *Attorney, Agent, or Firm* — Gokalp Bayramoglu

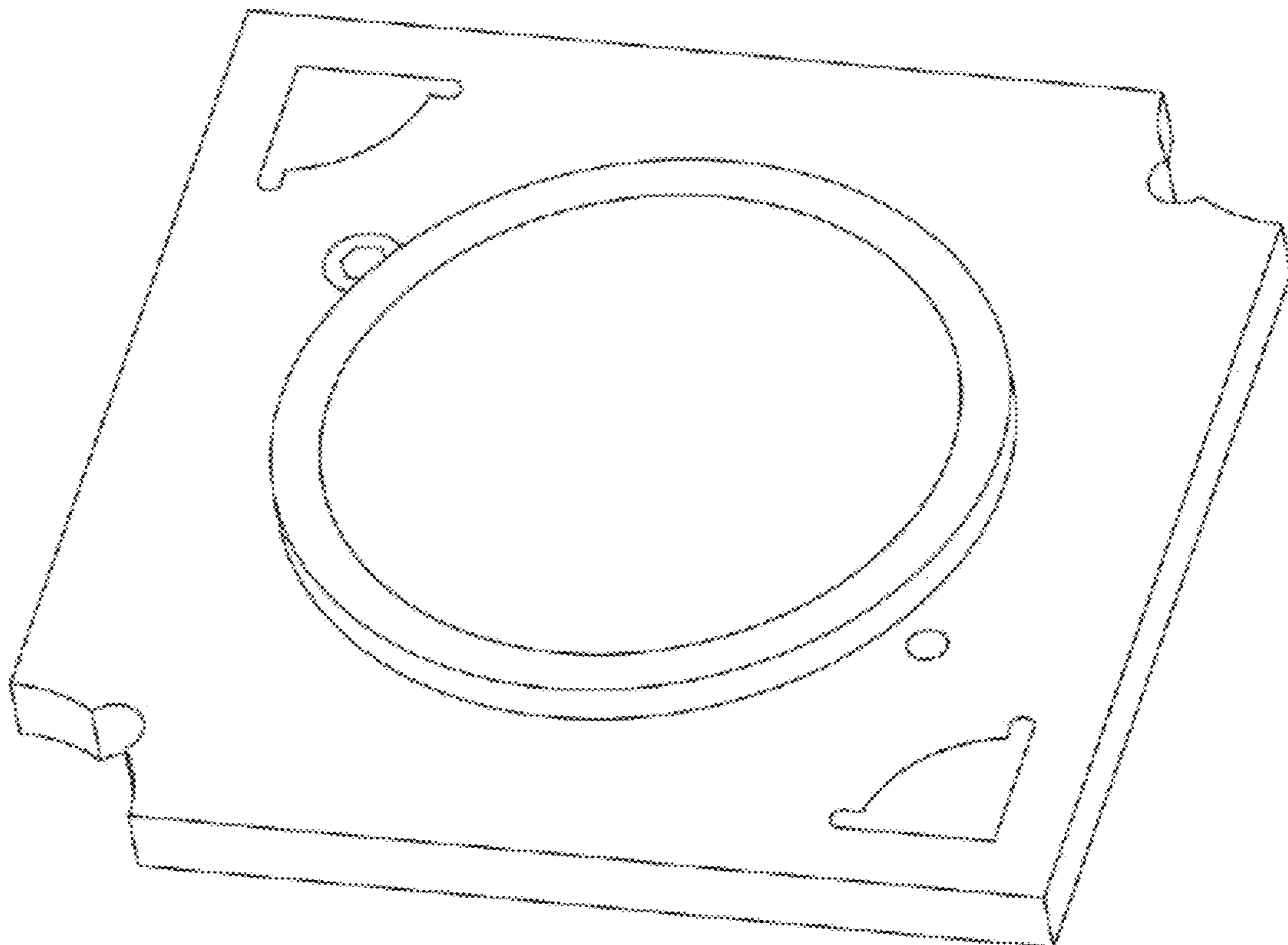
(57) **CLAIM**

The ornamental design for a light-emitting unit, as shown and described.

**DESCRIPTION**

FIG. 1 is a view of the light-emitting unit  
FIG. 2 is a side view of the light-emitting unit  
FIG. 3 is another side view of the light-emitting unit  
FIG. 4 is the top view of the light-emitting unit  
FIG. 5 is another top view of the light-emitting unit  
FIG. 6 is a side view of the light-emitting unit; and,  
FIG. 7 is another side view of the light-emitting unit.

**1 Claim, 7 Drawing Sheets**



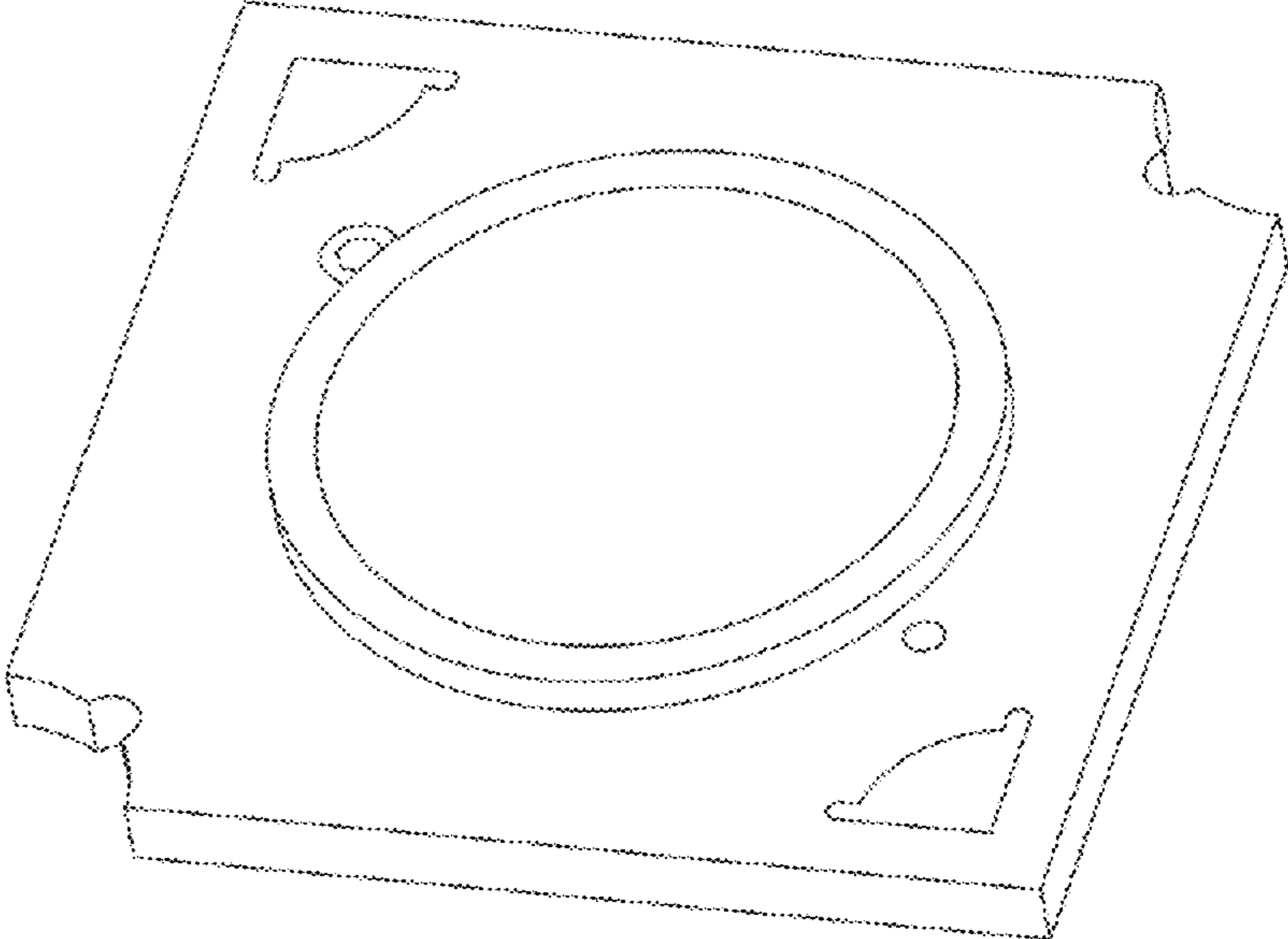


FIG 1

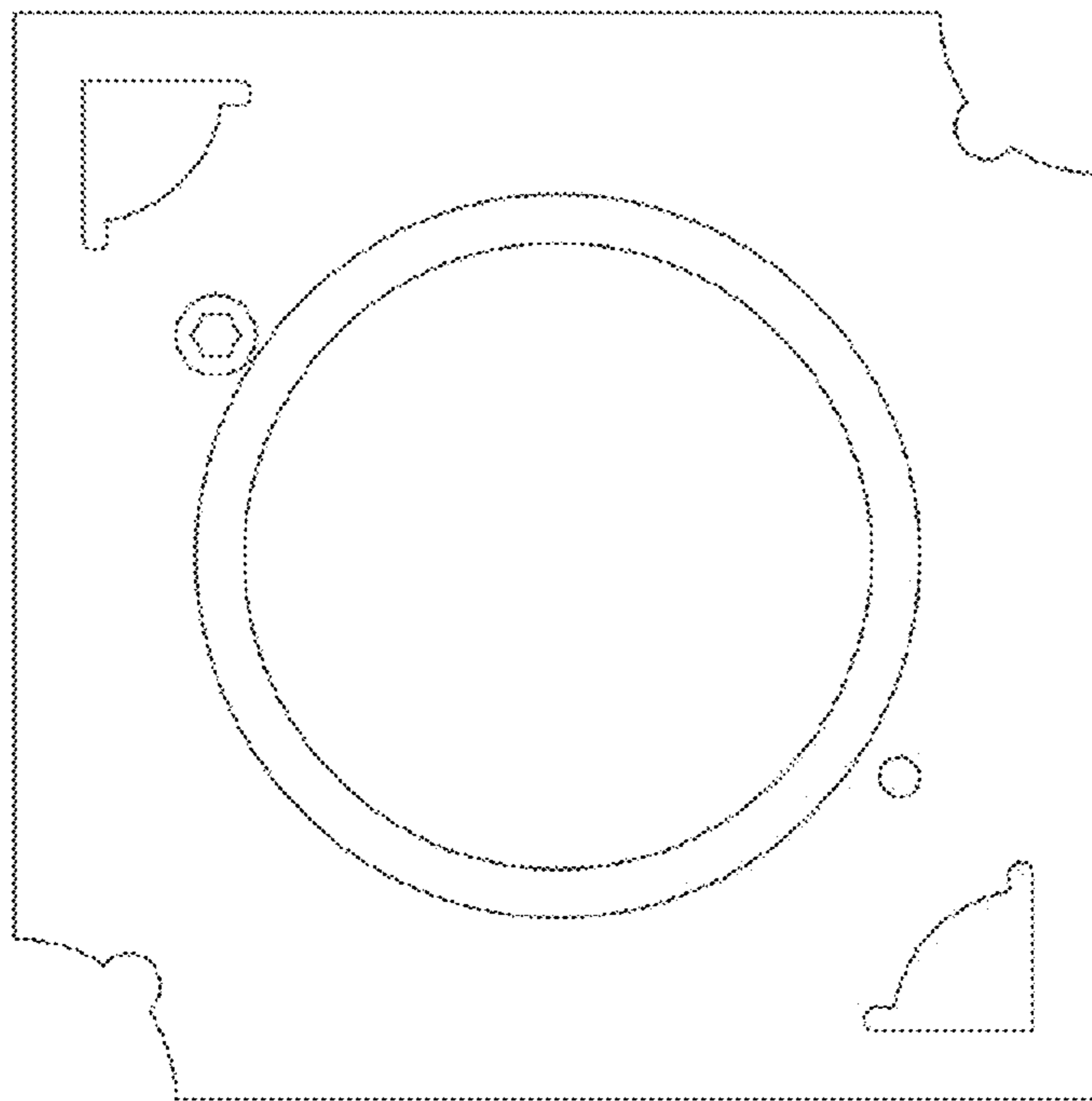


FIG 2

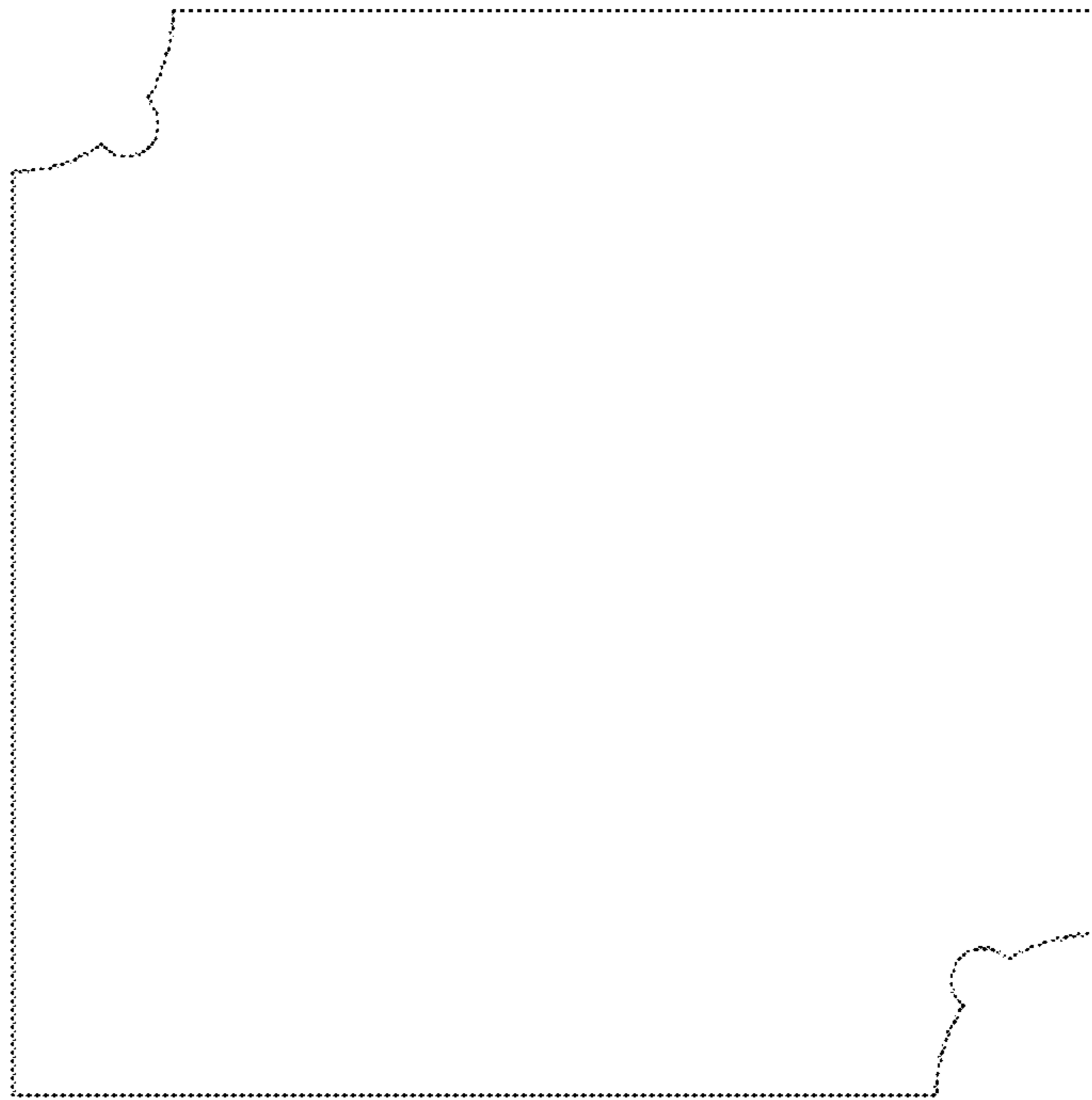


FIG 3

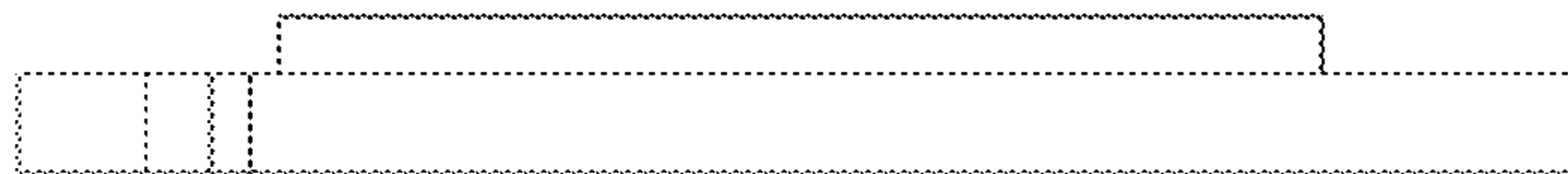


FIG 4

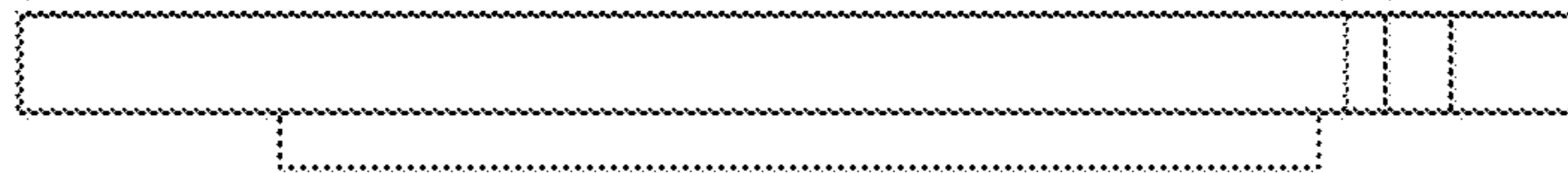


FIG 5

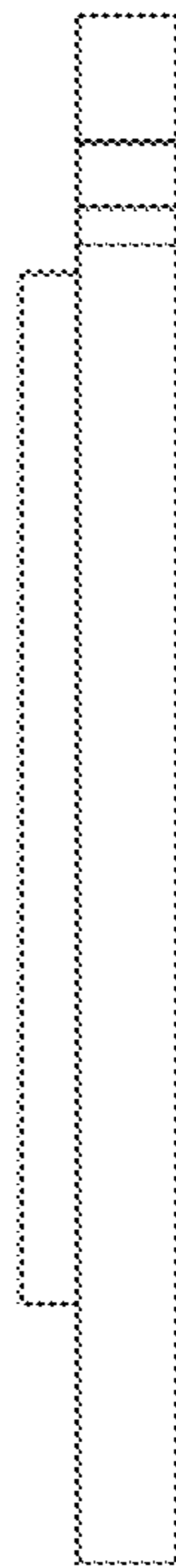


FIG 6

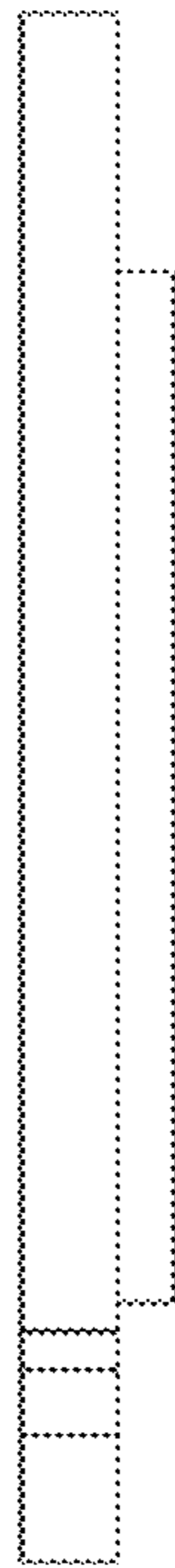


FIG 7