



US00D770061S

(12) **United States Design Patent** (10) **Patent No.:** **US D770,061 S**  
**Carn** (45) **Date of Patent:** **\*\* Oct. 25, 2016**

(54) **ADJUSTABLE POST SUPPORT**  
(71) Applicant: **Harold Carn**, Canton, OH (US)  
(72) Inventor: **Harold Carn**, Canton, OH (US)  
(\*\*) Term: **14 Years**  
(21) Appl. No.: **29/519,184**  
(22) Filed: **Mar. 3, 2015**  
(51) **LOC (10) Cl.** ..... **25-01**  
(52) **U.S. Cl.**  
USPC ..... **D25/134**  
(58) **Field of Classification Search**  
USPC ..... D25/126-135; 52/127.2, 149, 152, 155,  
52/165, 170; 248/530, 545  
See application file for complete search history.

7,434,361 B1 \* 10/2008 Taylor ..... E04F 21/0015  
269/905  
7,438,273 B2 10/2008 Tota  
7,484,336 B2 \* 2/2009 Stone ..... E02D 5/80  
405/244  
D744,379 S \* 12/2015 Penner ..... D12/106  
9,243,422 B2 \* 1/2016 Hunt ..... E04H 15/34  
2007/0094949 A1 \* 5/2007 Pecoraro ..... E06B 9/02  
52/127.2  
2007/0227082 A1 \* 10/2007 Morton ..... E02D 37/00  
52/127.2  
2008/0307721 A1 \* 12/2008 Schultz ..... E02D 5/801  
52/157  
2009/0090836 A1 \* 4/2009 Harris ..... E04H 12/2238  
248/530

**FOREIGN PATENT DOCUMENTS**

WO WO2008043178 A1 4/2008

\* cited by examiner

*Primary Examiner* — Garth Rademaker  
*Assistant Examiner* — Samantha Q Lawrence

(56) **References Cited**  
U.S. PATENT DOCUMENTS

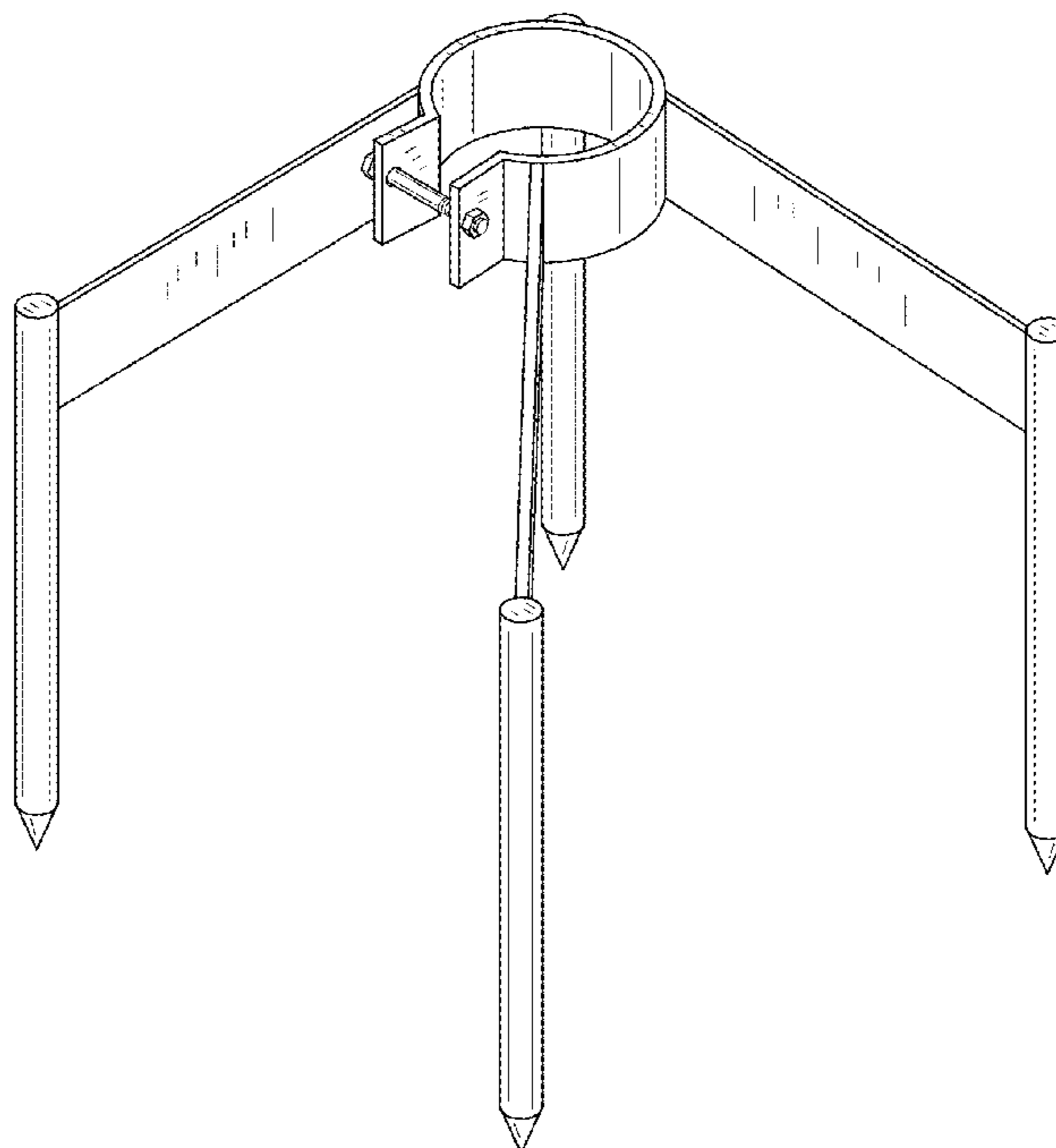
877,268 A 1/1908 Van Buren  
1,722,352 A 7/1929 Rawley  
3,809,346 A 5/1974 Jackson  
D276,588 S 12/1984 Fambrough  
4,712,762 A \* 12/1987 Liedle ..... F16M 11/00  
248/156  
5,104,074 A 4/1992 Malloy  
5,108,068 A \* 4/1992 Gingras ..... E04H 12/223  
248/545  
5,157,882 A \* 10/1992 Soble ..... E04H 6/025  
403/116  
5,317,844 A 6/1994 Legler  
6,371,432 B1 \* 4/2002 Tsappi ..... A01G 9/124  
248/158  
6,684,580 B1 2/2004 Hull  
6,923,195 B2 \* 8/2005 Tseng ..... E04C 3/32  
135/122

(57) **CLAIM**  
I claim the ornamental design for an adjustable post support,  
as shown and described.

**DESCRIPTION**

FIG. 1 is a front view of an adjustable post support.  
FIG. 2 is a back view of the claimed design.  
FIG. 3 is a left view of the claimed design.  
FIG. 4 is a right view of the claimed design.  
FIG. 5 is a top view of the claimed design.  
FIG. 6 is a bottom view of the claimed design; and,  
FIG. 7 is a perspective view of the claimed design.

**1 Claim, 7 Drawing Sheets**



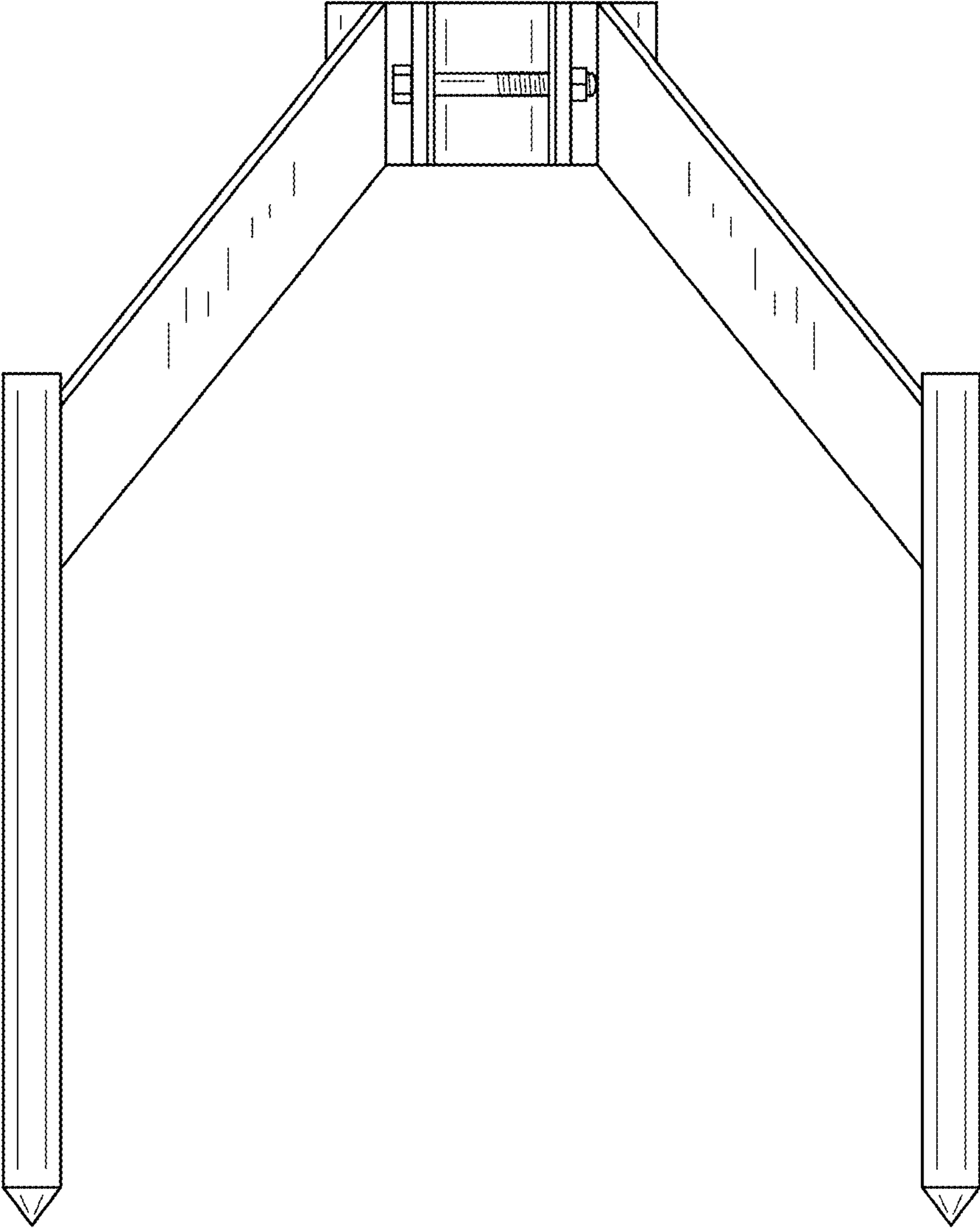


FIG. 1

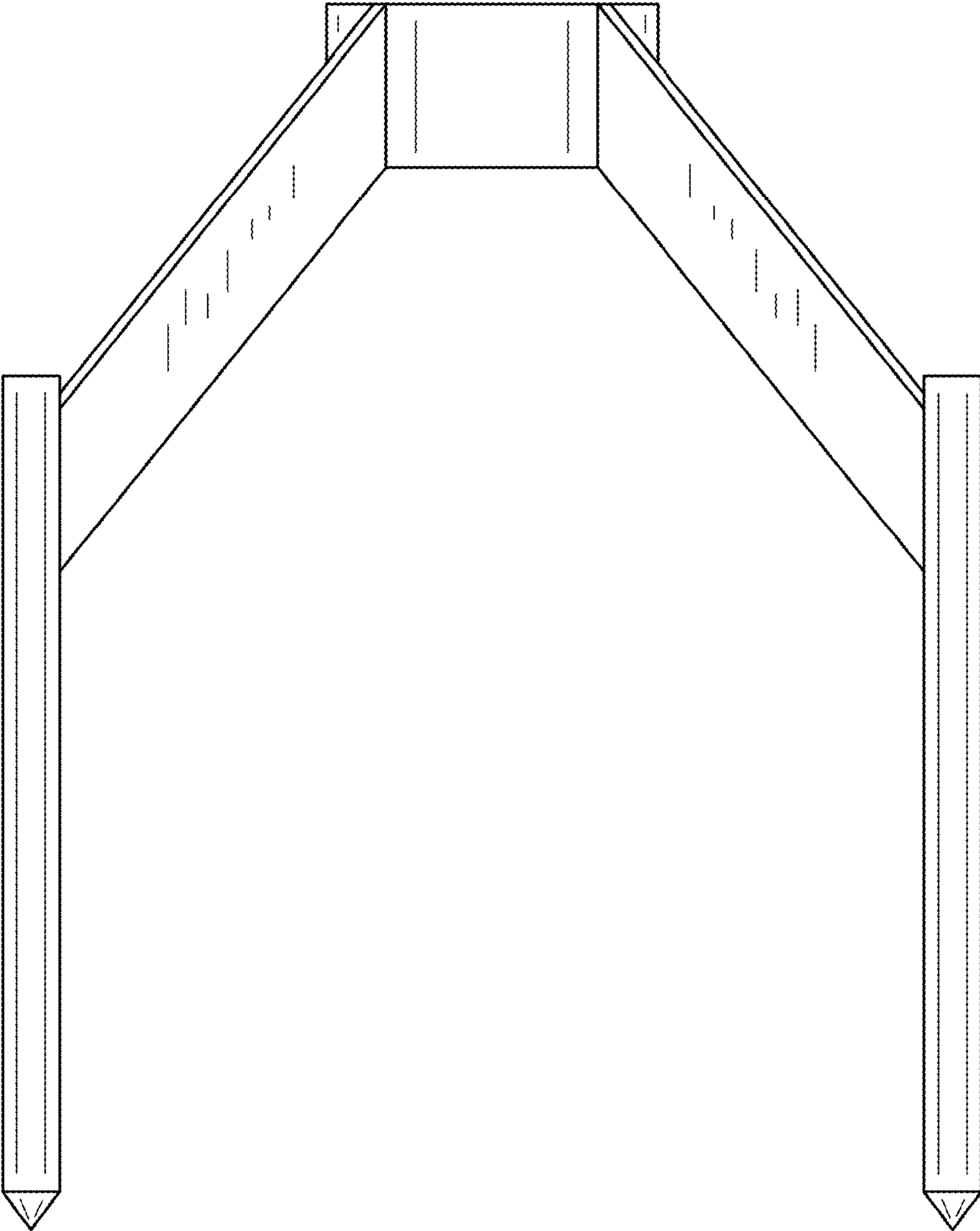


FIG. 2

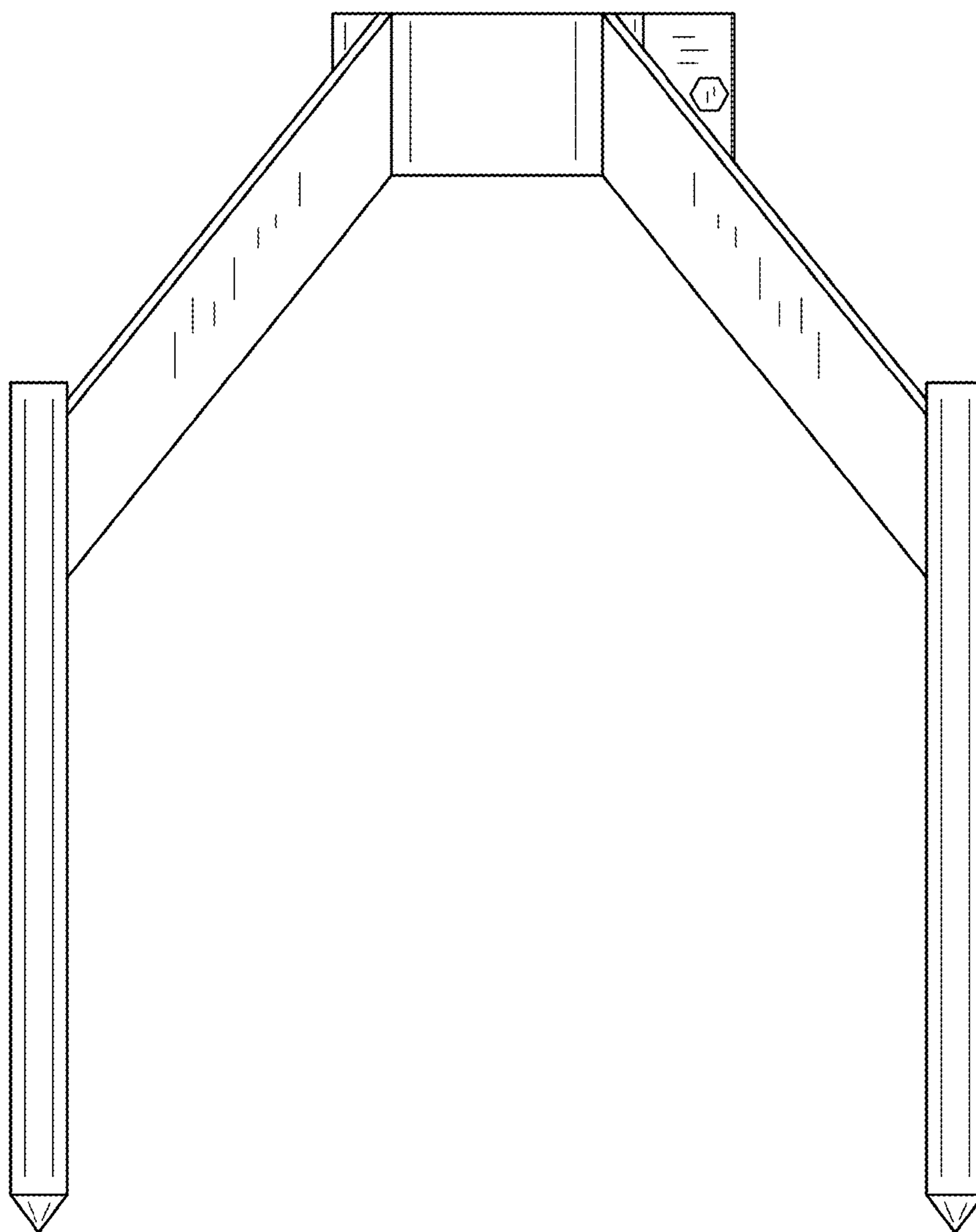


FIG. 3

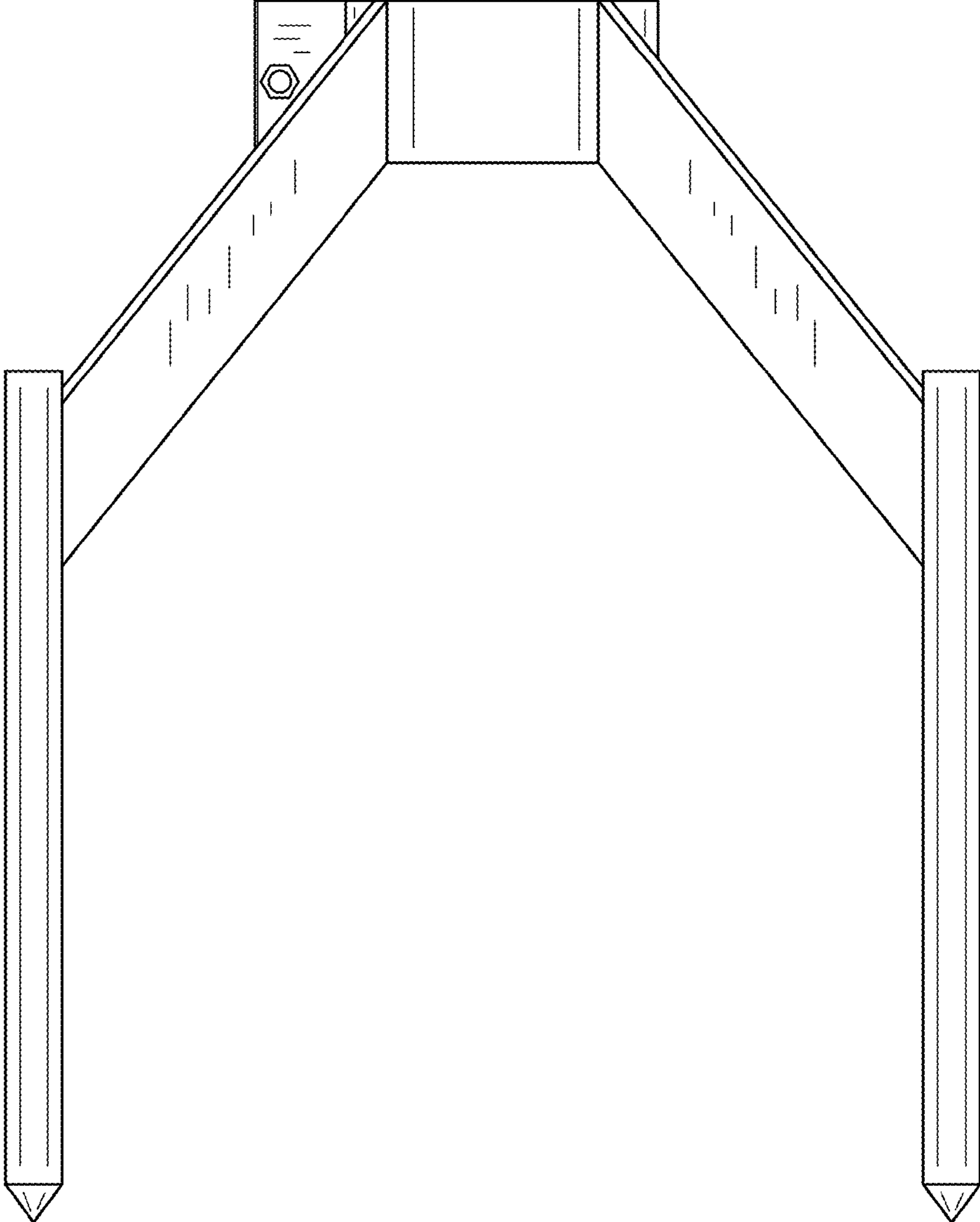


FIG. 4

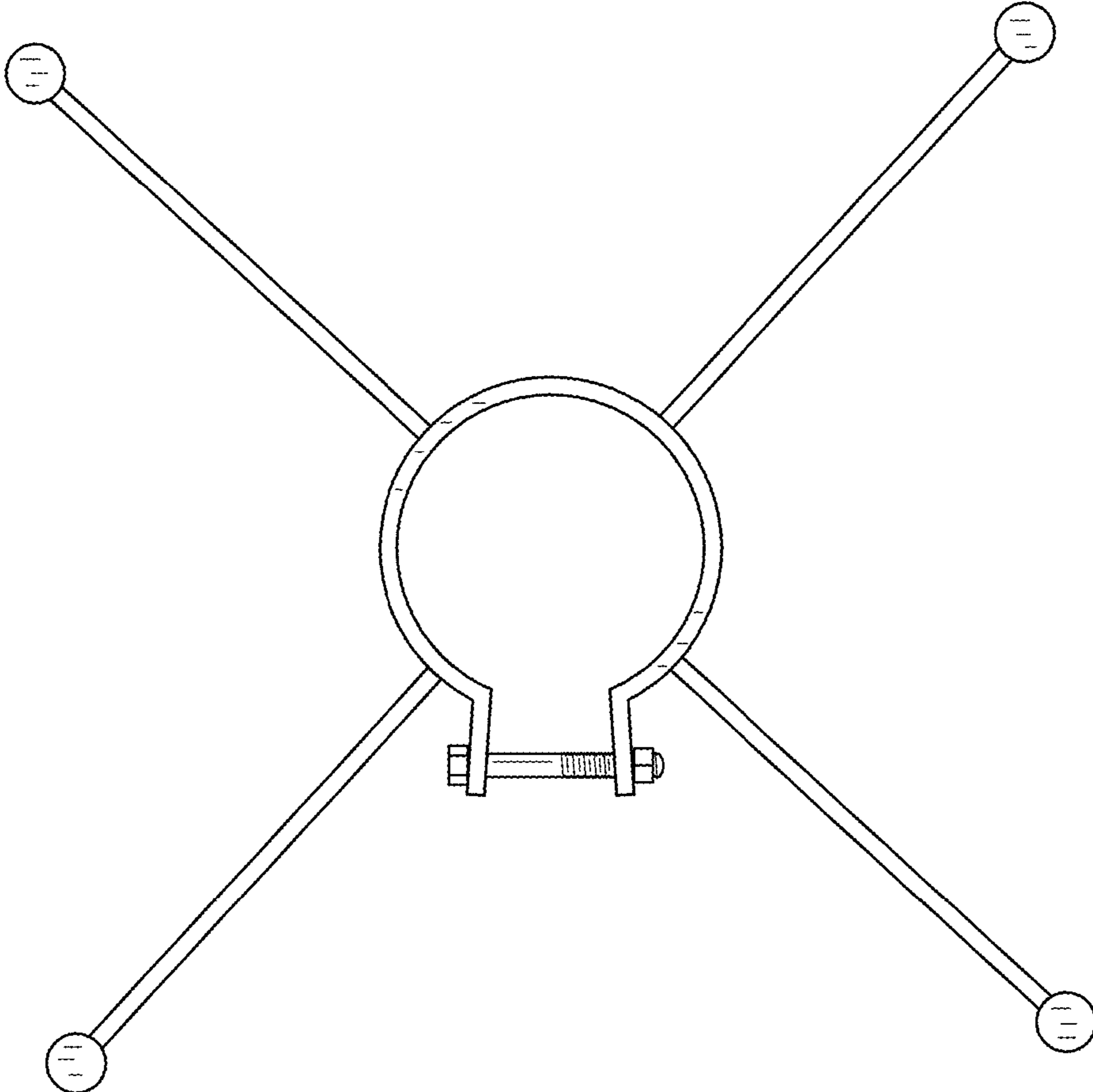


FIG. 5

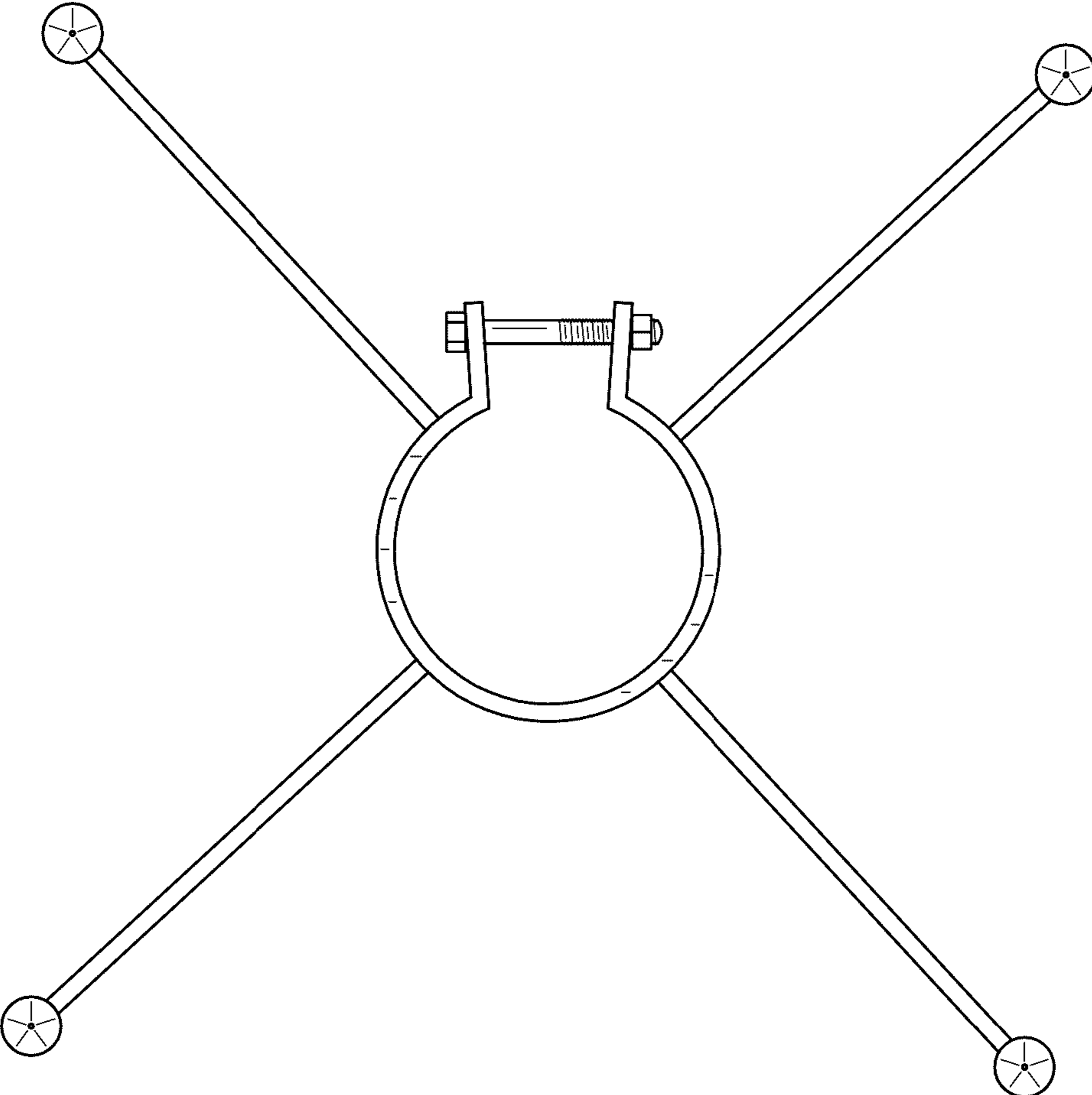


FIG. 6

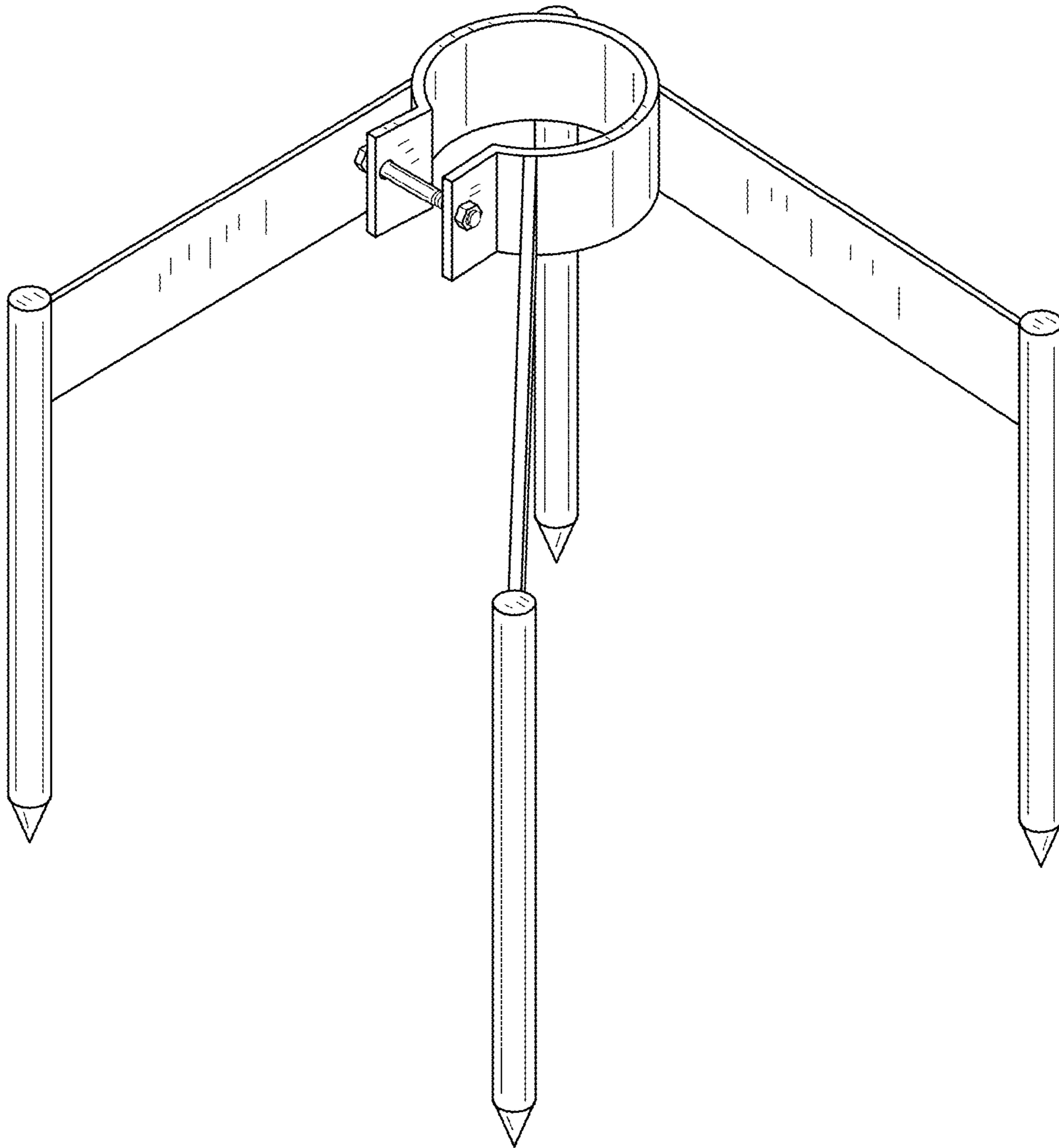


FIG. 7