



US00D770060S

(12) **United States Design Patent** (10) **Patent No.:** **US D770,060 S**
Alonso (45) **Date of Patent:** **** *Oct. 25, 2016**

(54) **MODULAR CONSTRUCTION BLOCK**

(71) Applicant: **Nova City Enterprise Holdings**, São Bento do Sapucaí-SP (BR)

(72) Inventor: **Victoria Luz Alonso**, São Paulo (BR)

(*) Notice: This patent is subject to a terminal disclaimer.

(**) Term: **14 Years**

(21) Appl. No.: **29/518,883**

(22) Filed: **Feb. 27, 2015**

(30) **Foreign Application Priority Data**

Aug. 29, 2014 (BR) 3020140042491

(51) **LOC (10) Cl.** **25-01**

(52) **U.S. Cl.**
USPC **D25/113**

(58) **Field of Classification Search**

USPC D5/43, 44; D21/484-491, 499-504;
D25/102, 106-108, 112-119, 122-125,
D25/136, 164; 52/98, 169.1, 258, 286, 316,
52/415, 503-505, 561, 574, 575, 596,
52/600-612; 404/18-20, 27-42

CPC E04B 2/02; E04B 2002/026
See application file for complete search history.

(56) **References Cited**

U.S. PATENT DOCUMENTS

2,060,791 A * 11/1936 Cockrell E04B 2/14
52/125.3
2,371,058 A * 3/1945 Marino E04B 5/44
52/439

(Continued)

FOREIGN PATENT DOCUMENTS

EM 002122382-0002 * 10/2012

Primary Examiner — Susan Bennett Hattan

Assistant Examiner — Leanne Was

(74) *Attorney, Agent, or Firm* — Bennett Intellectual Property; Allen F Bennett

(57) **CLAIM**

The ornamental design for a modular construction block, as shown and described.

DESCRIPTION

FIG. 1 is a top perspective view of a modular construction block according to the present invention;

FIG. 2 is a front view of the modular construction block of FIG. 1;

FIG. 3 is a rear view of the modular construction block of FIG. 1;

FIG. 4 is a left side view of the modular construction block of FIG. 1;

FIG. 5 is a right side view of the modular construction block of FIG. 1;

FIG. 6 is a top view of the modular construction block of FIG. 1;

FIG. 7 is a bottom view of the modular construction block of FIG. 1;

FIG. 8 is a top perspective view of a modular construction block according to the present invention;

FIG. 9 is a front view of the modular construction block of FIG. 8;

FIG. 10 is a rear view of the modular construction block of FIG. 8;

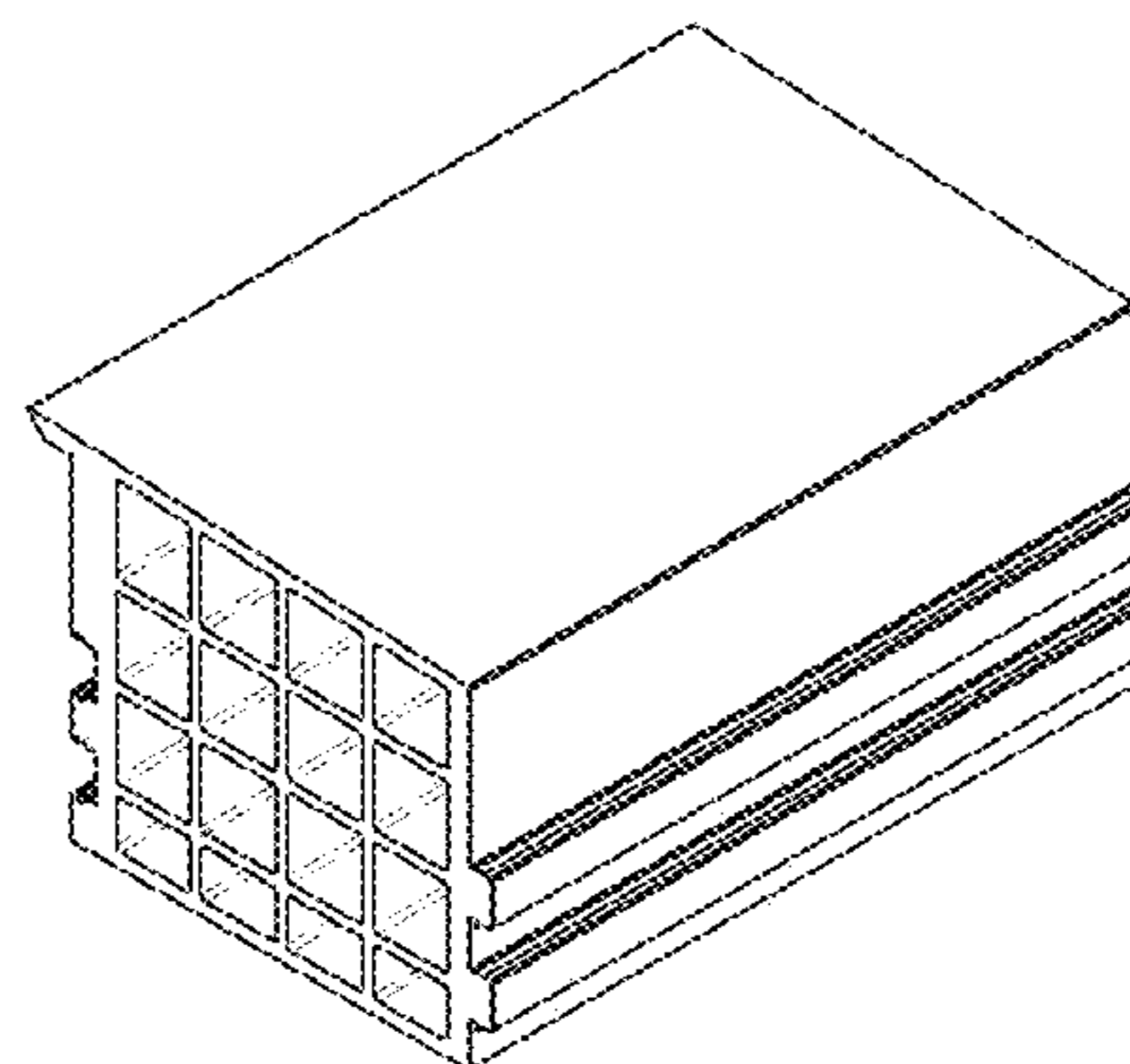
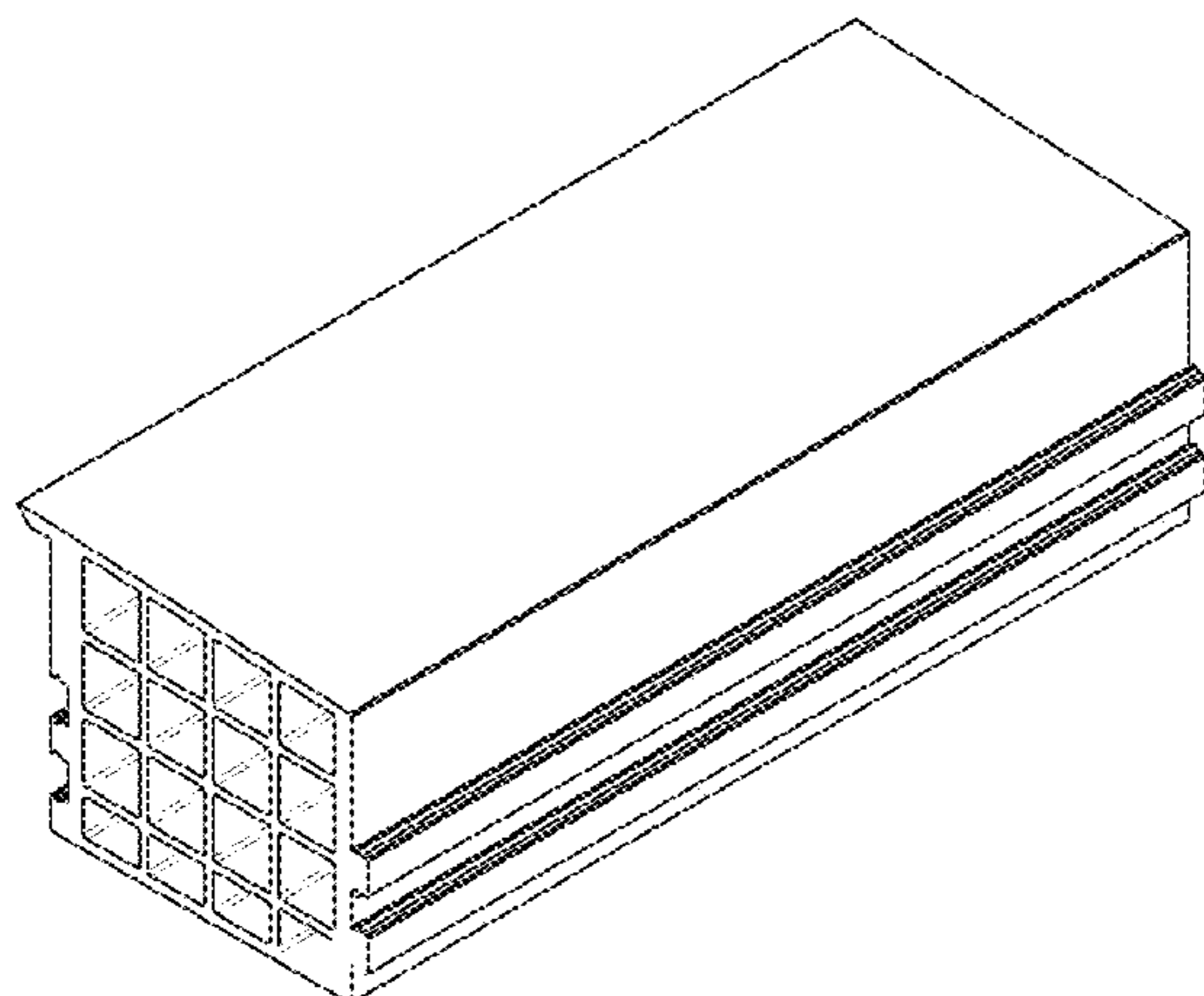
FIG. 11 is a left side view of modular construction block of FIG. 8;

FIG. 12 is a right side view of the modular construction block of FIG. 8;

FIG. 13 is a top view of the modular construction block of FIG. 8; and,

FIG. 14 is a bottom view of the modular construction block of FIG. 8.

1 Claim, 4 Drawing Sheets



(56)

References Cited

U.S. PATENT DOCUMENTS

D251,204 S * 2/1979 Ceglia D25/113
D266,362 S * 9/1982 Coelho dos Santos D25/114
D342,795 S * 12/1993 Harrison D25/118
5,465,541 A * 11/1995 Lin E04C 2/52
52/220.2

D429,532 S * 8/2000 Siudzinski D25/124
8,291,669 B2 * 10/2012 Karau E04C 1/395
52/569
D688,811 S * 8/2013 Ciccarello D25/113
D695,420 S * 12/2013 Hancock D25/113
8,757,922 B1 * 6/2014 Ciccarello E01C 5/06
404/37

* cited by examiner

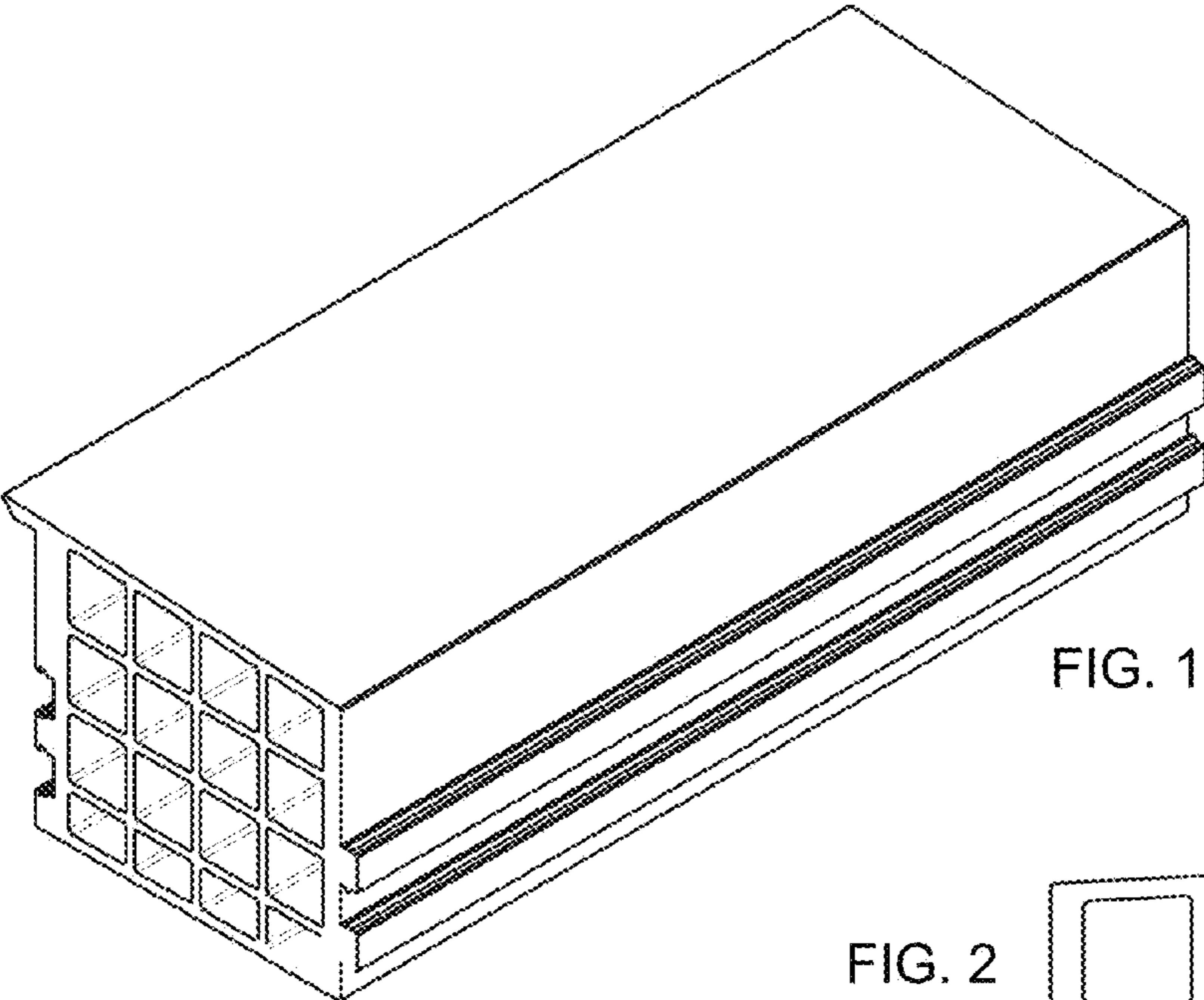


FIG. 1

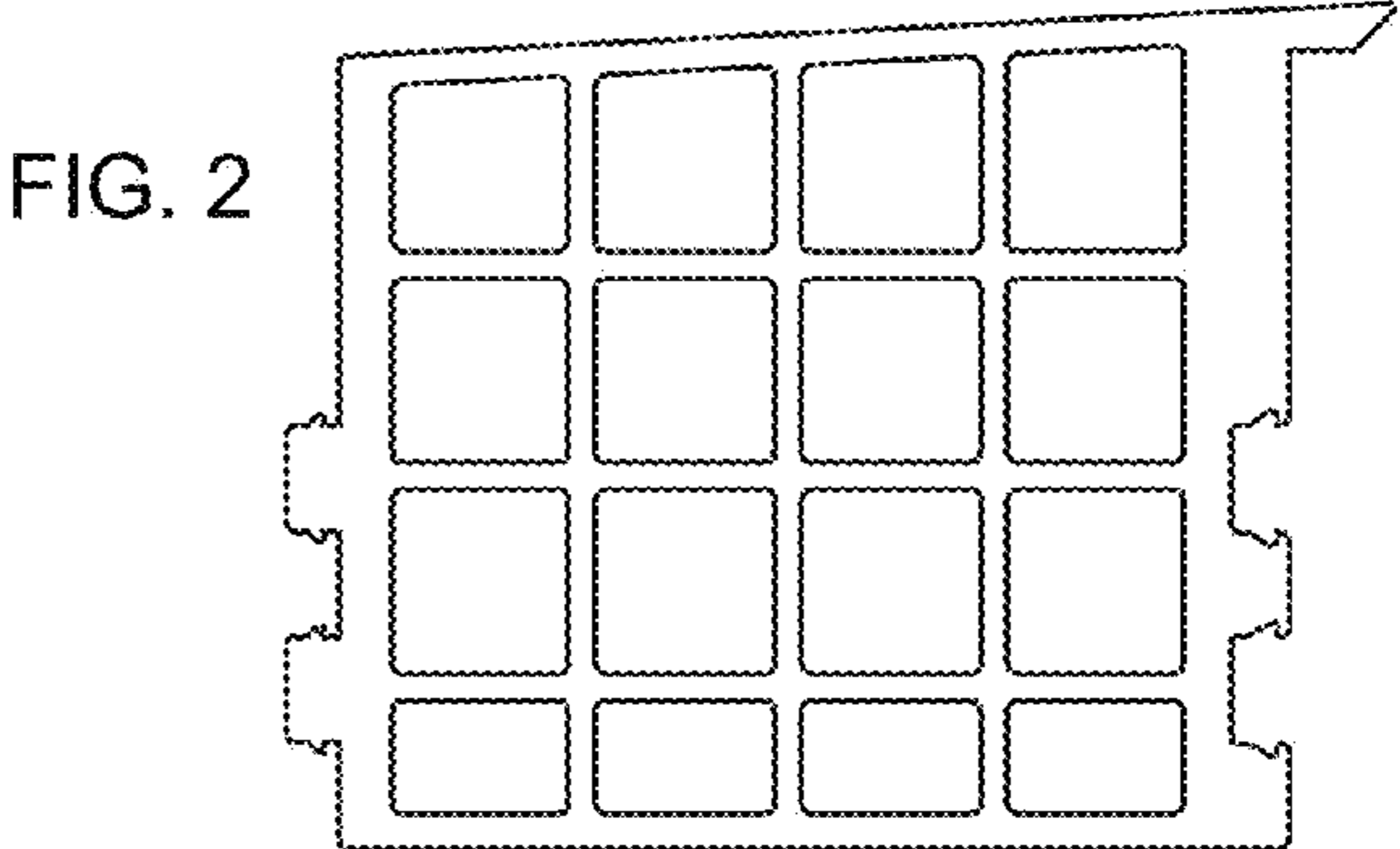


FIG. 2

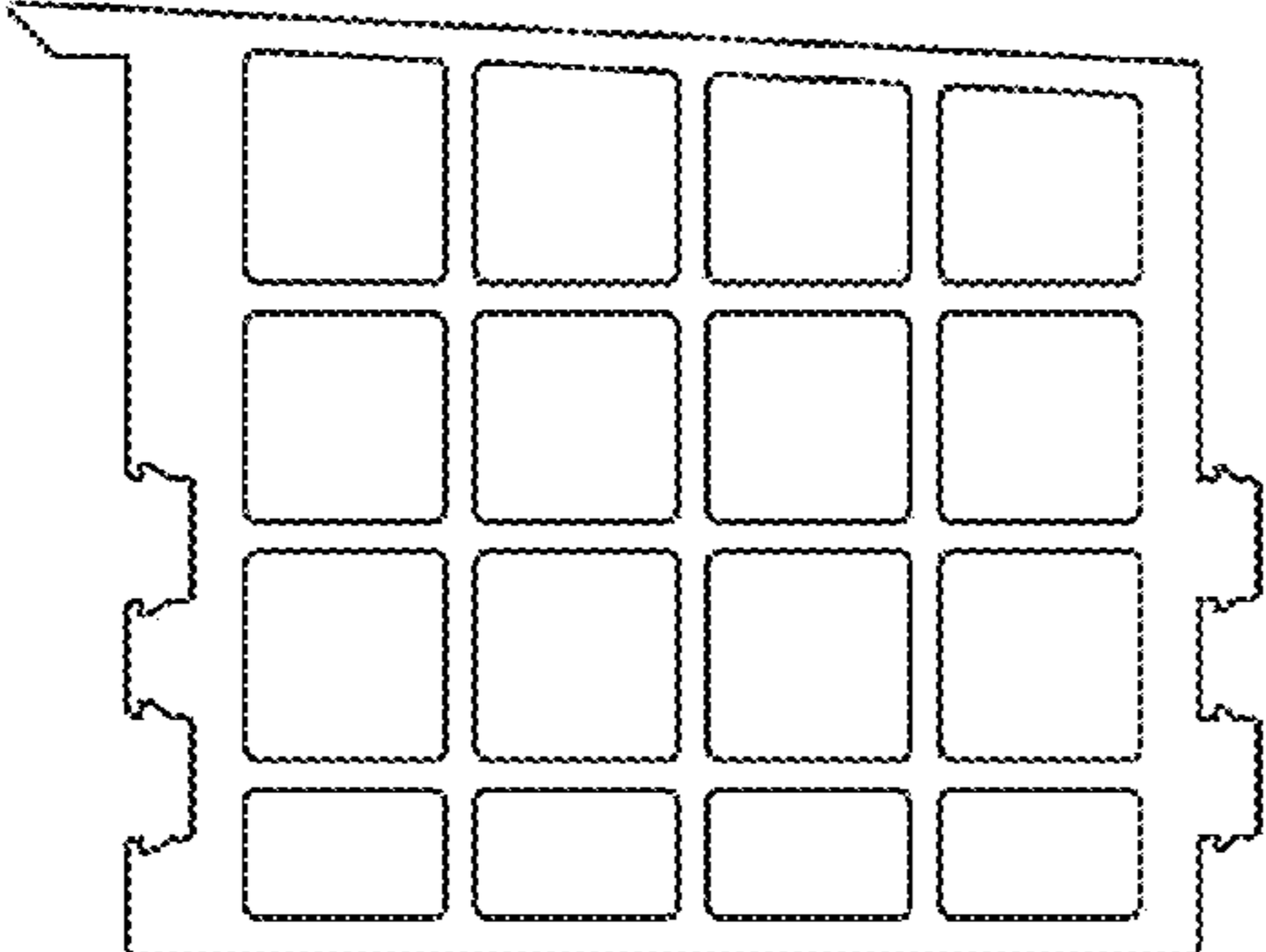
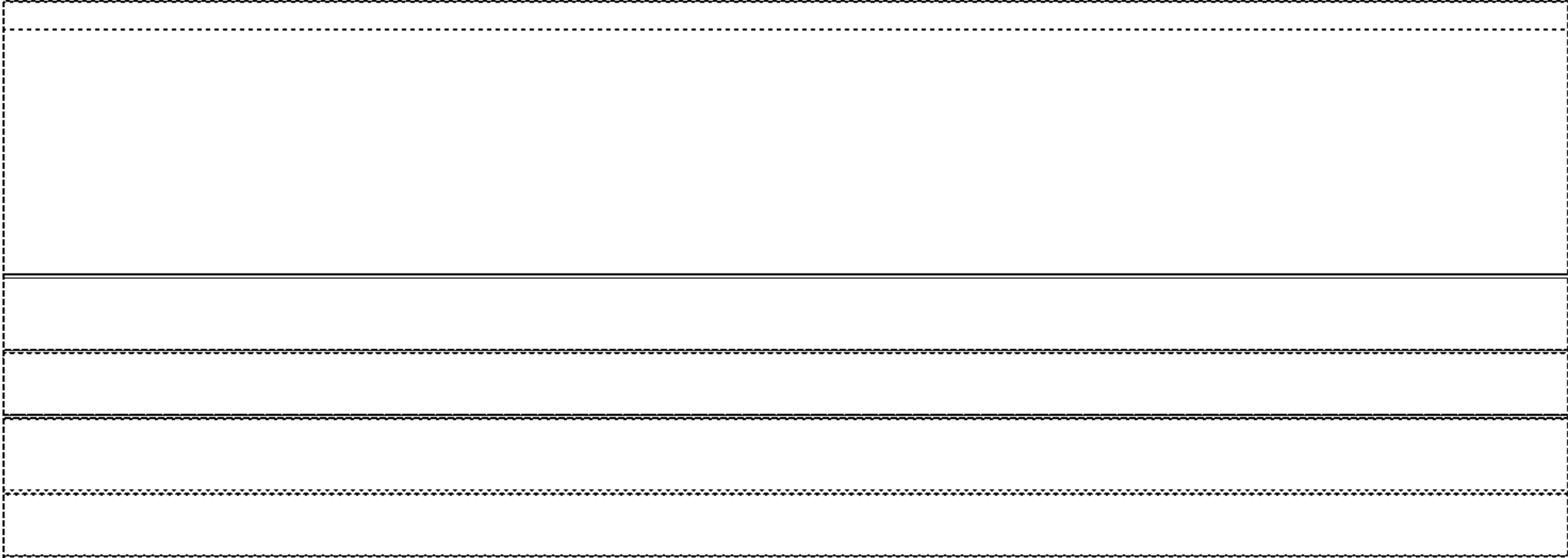


FIG. 3

FIG. 4



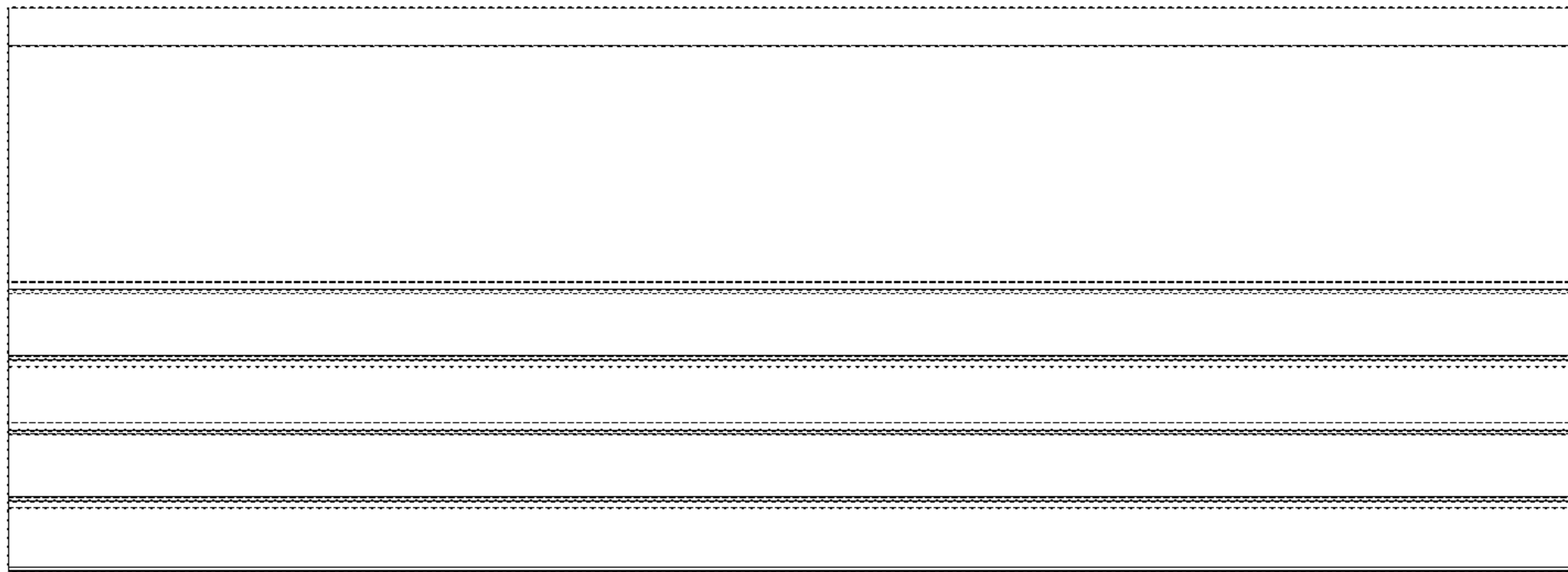


FIG. 5

FIG. 6

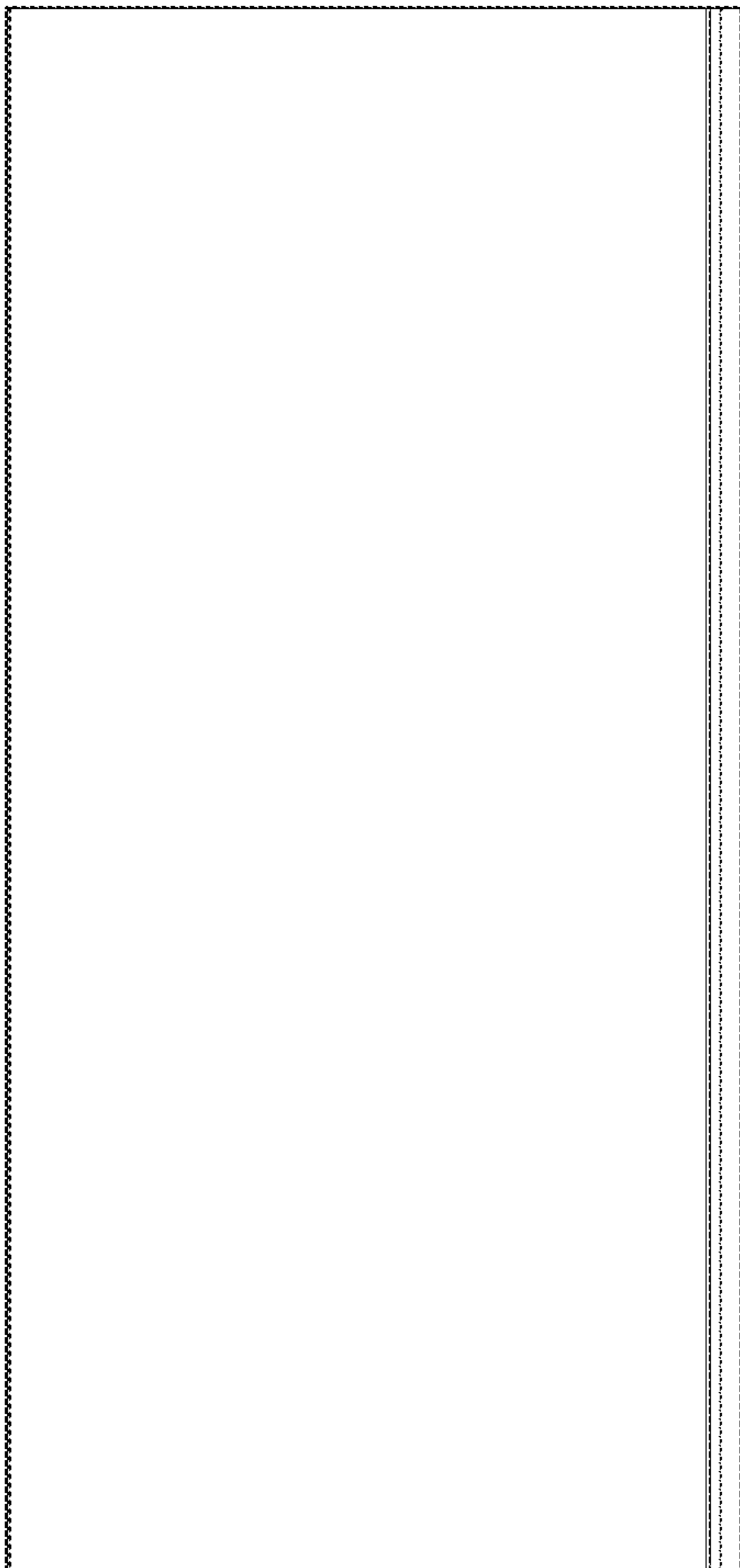
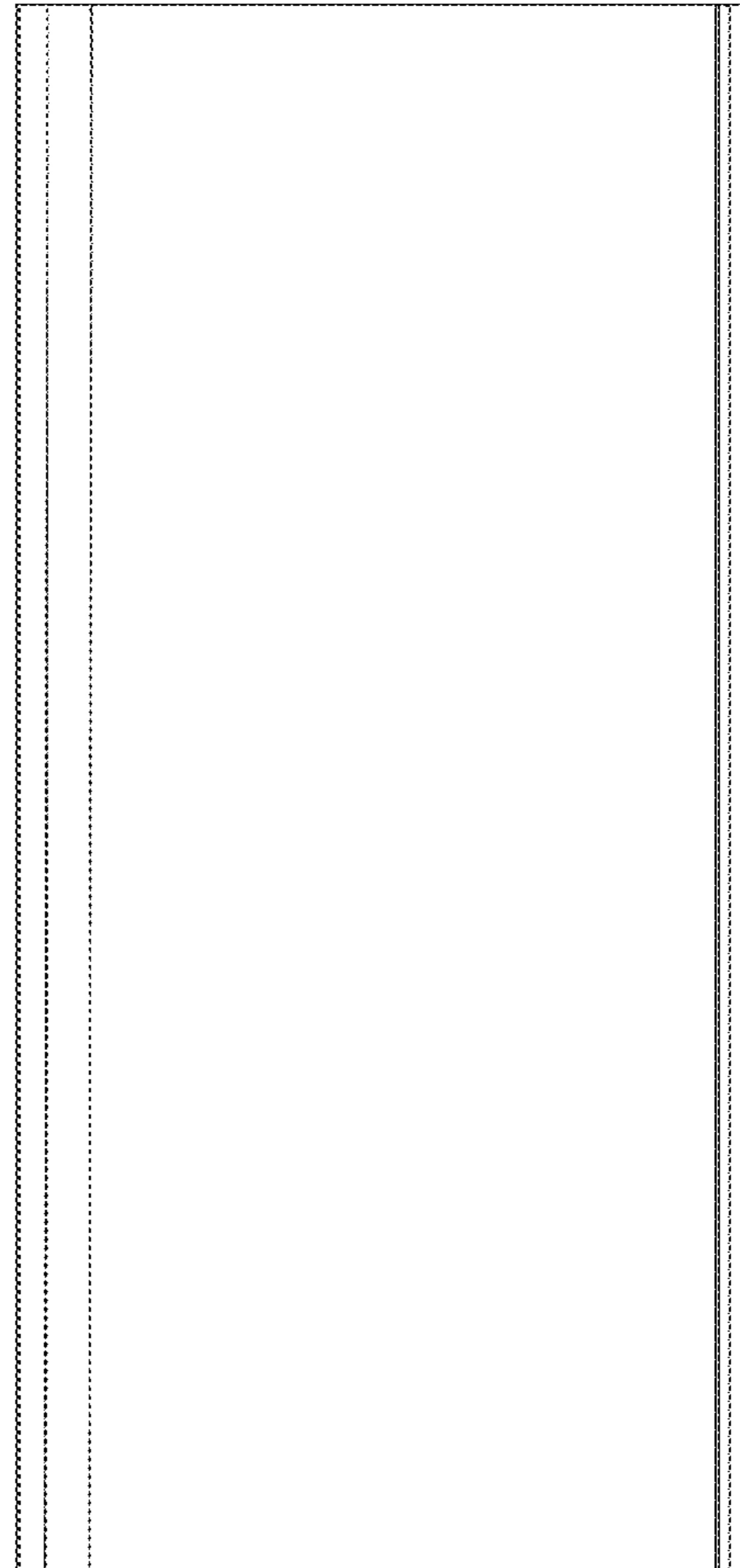


FIG. 7



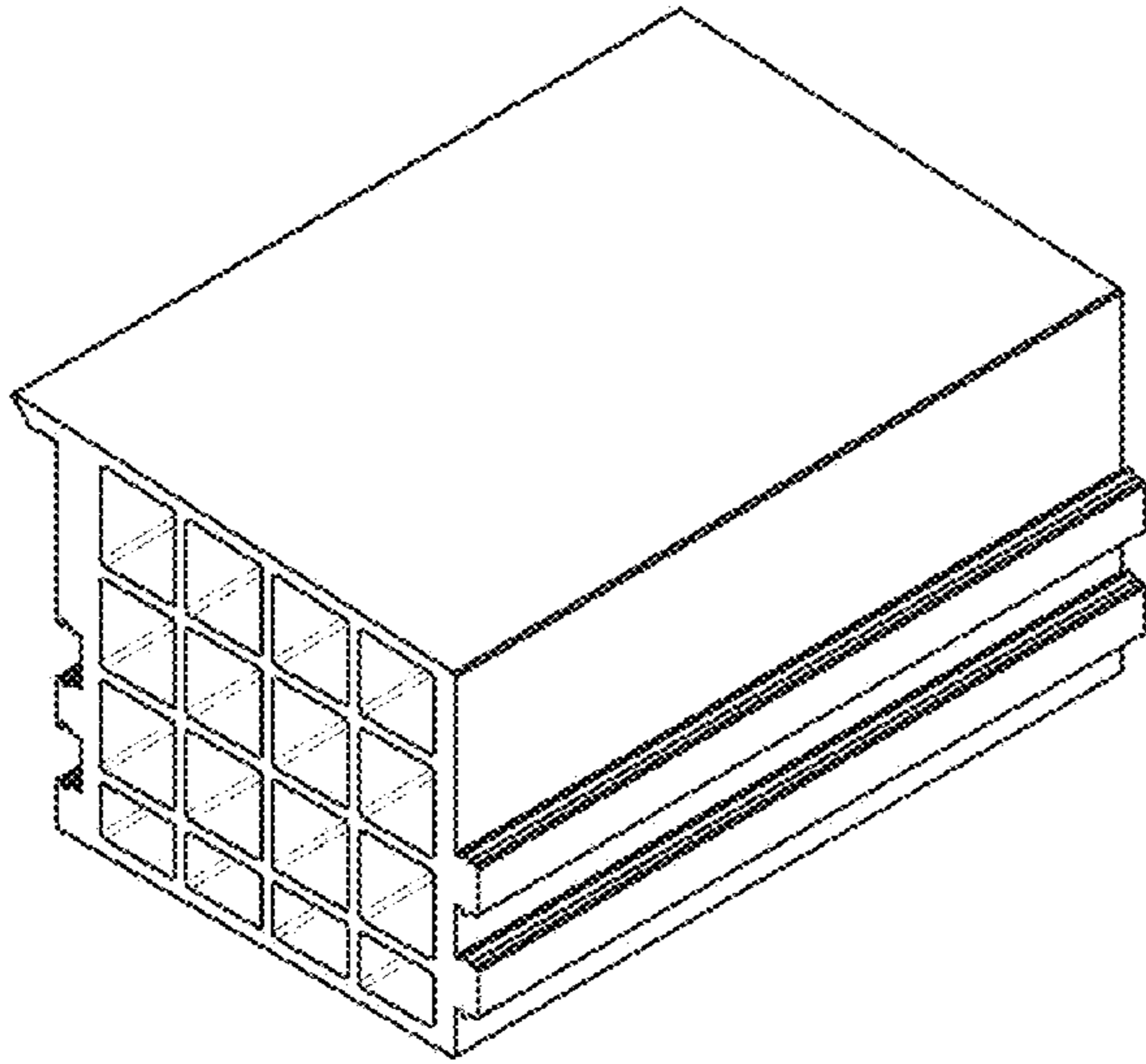


FIG. 8

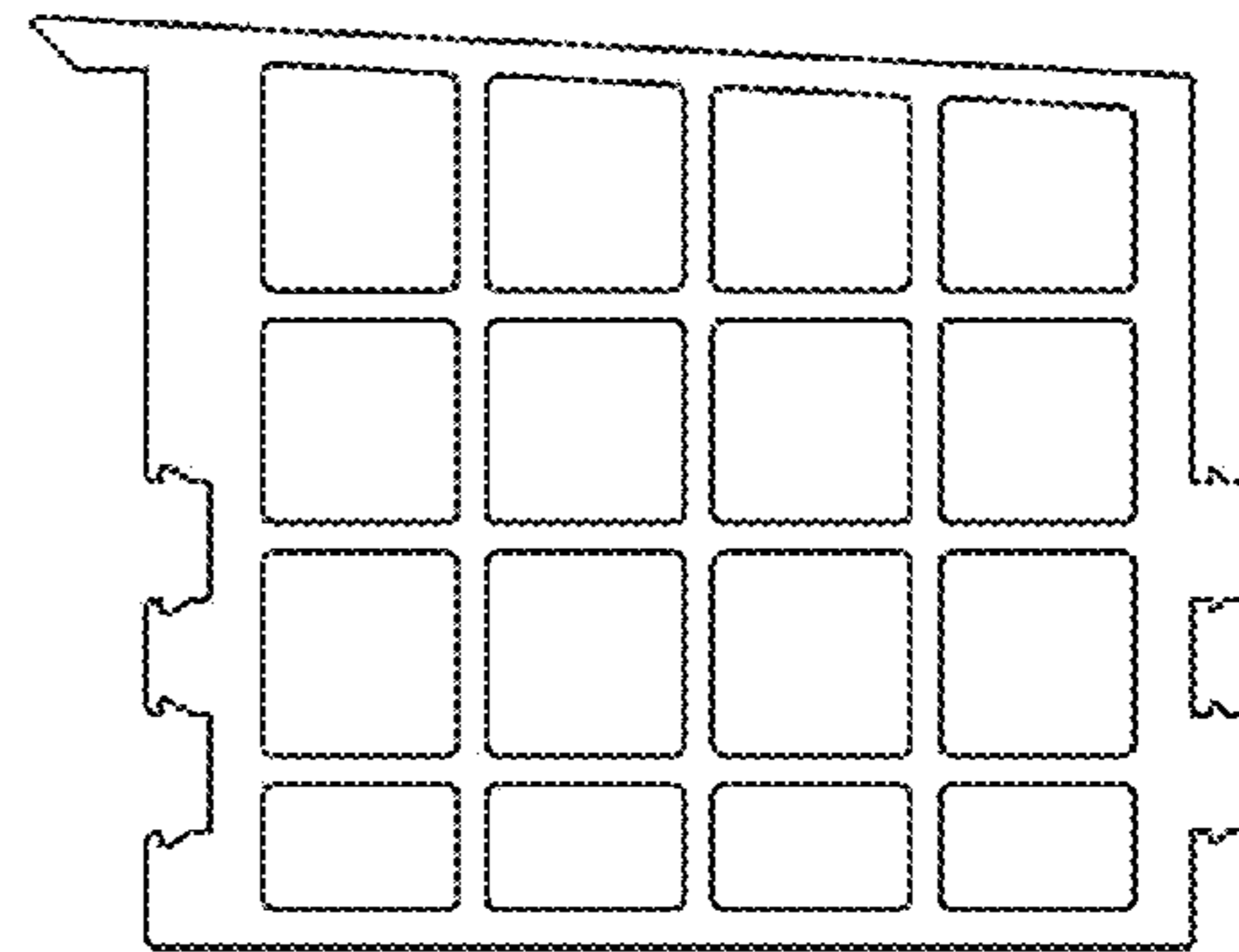


FIG. 9

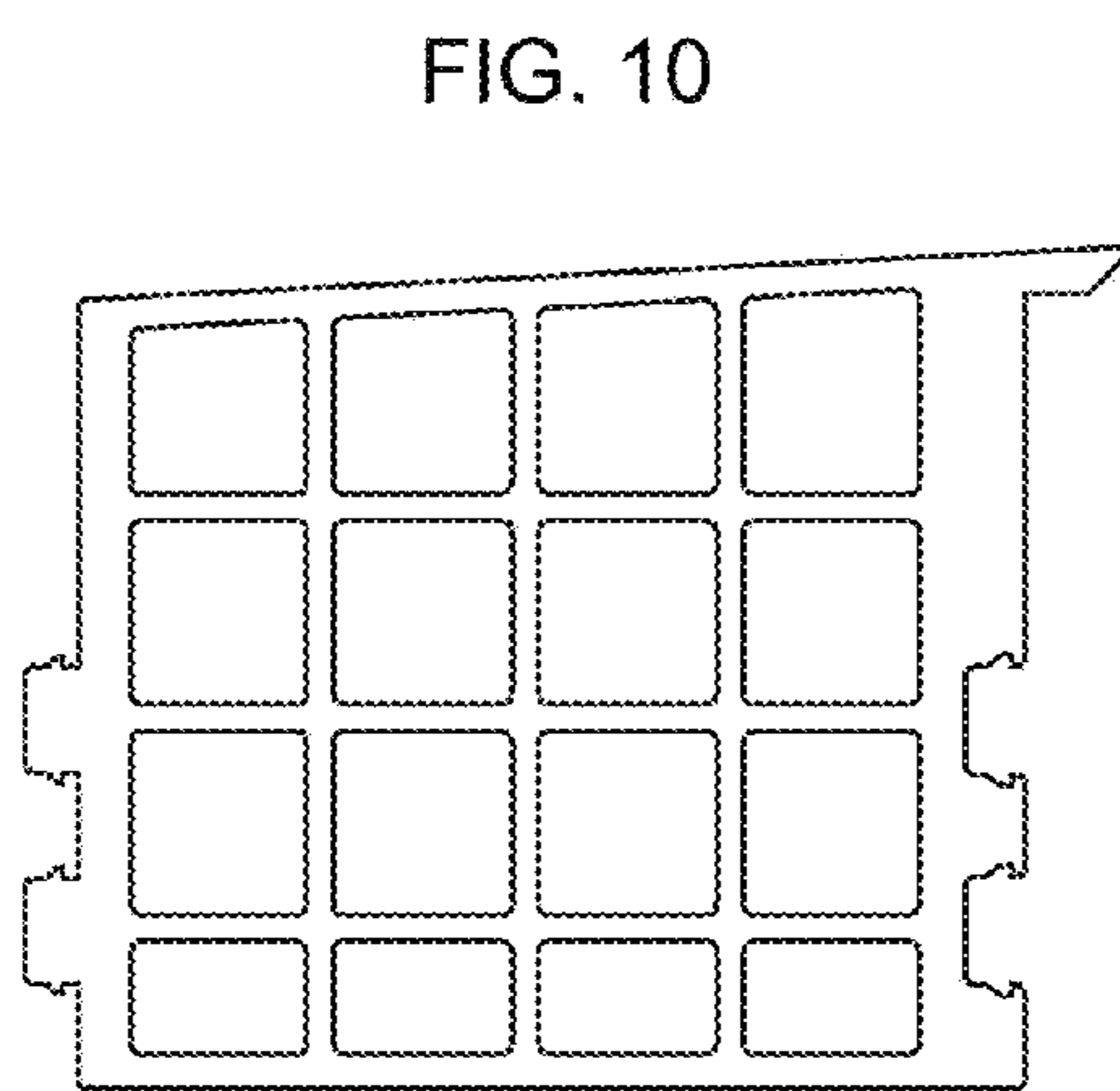


FIG. 10

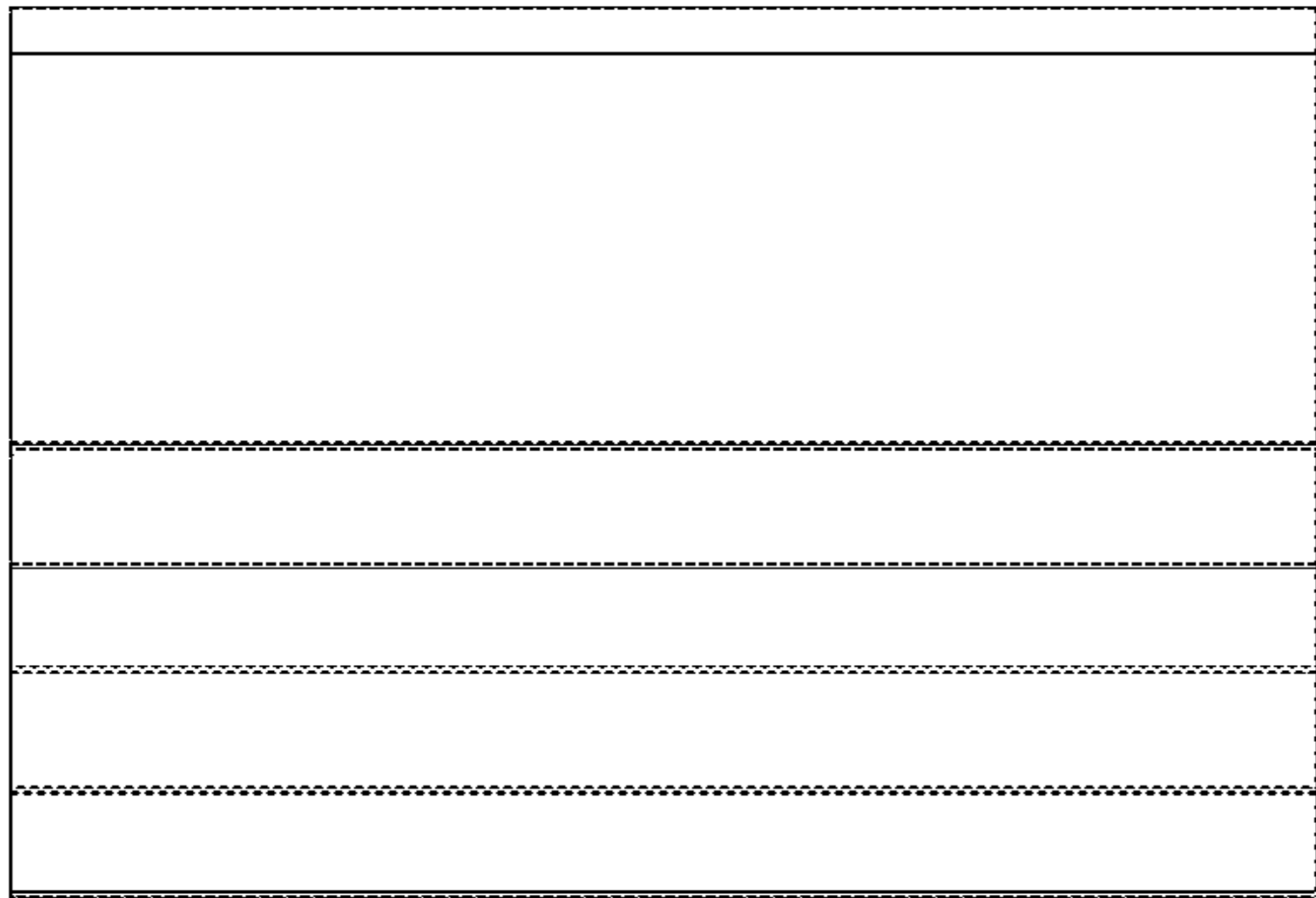


FIG. 11

FIG. 12

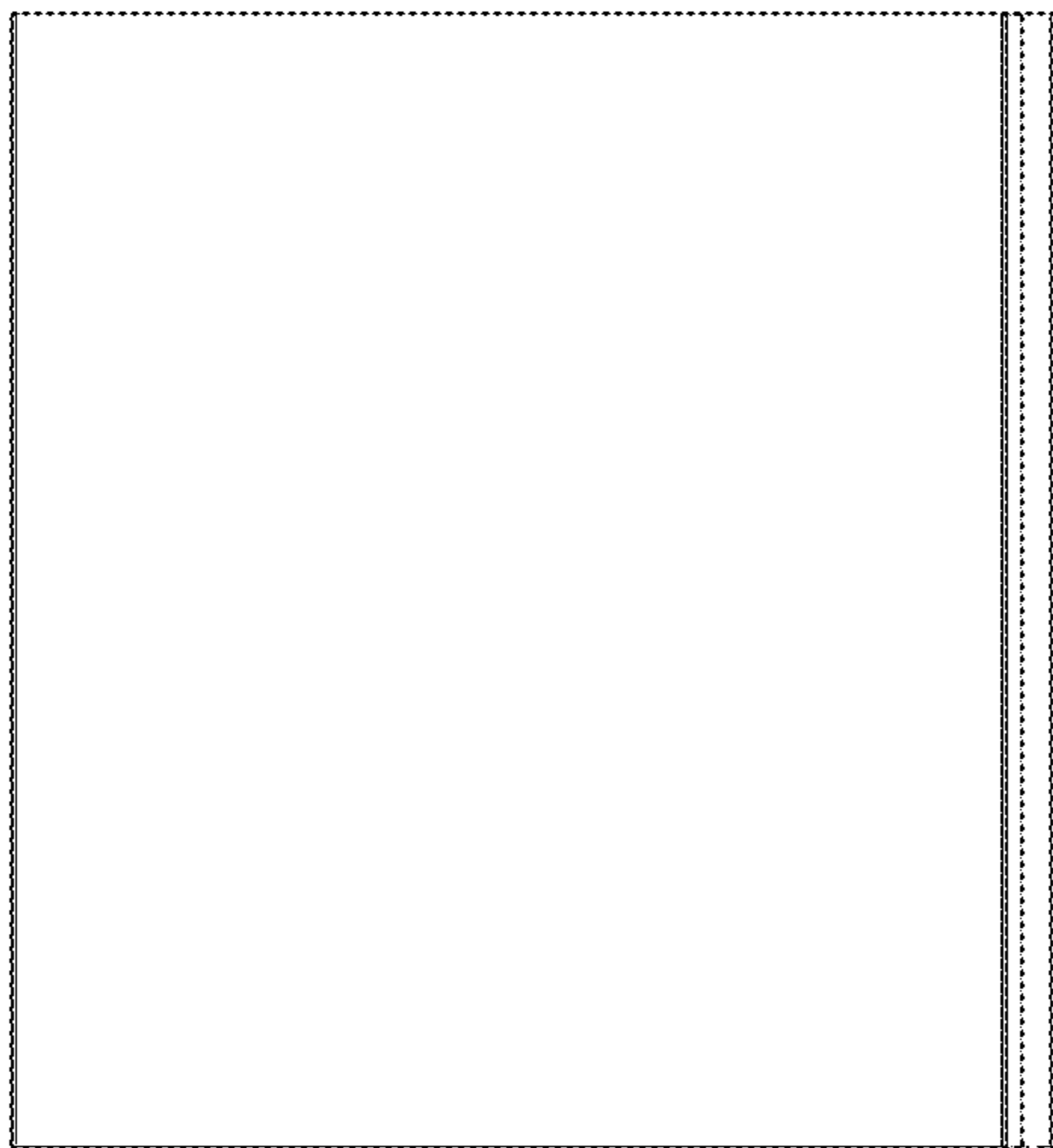
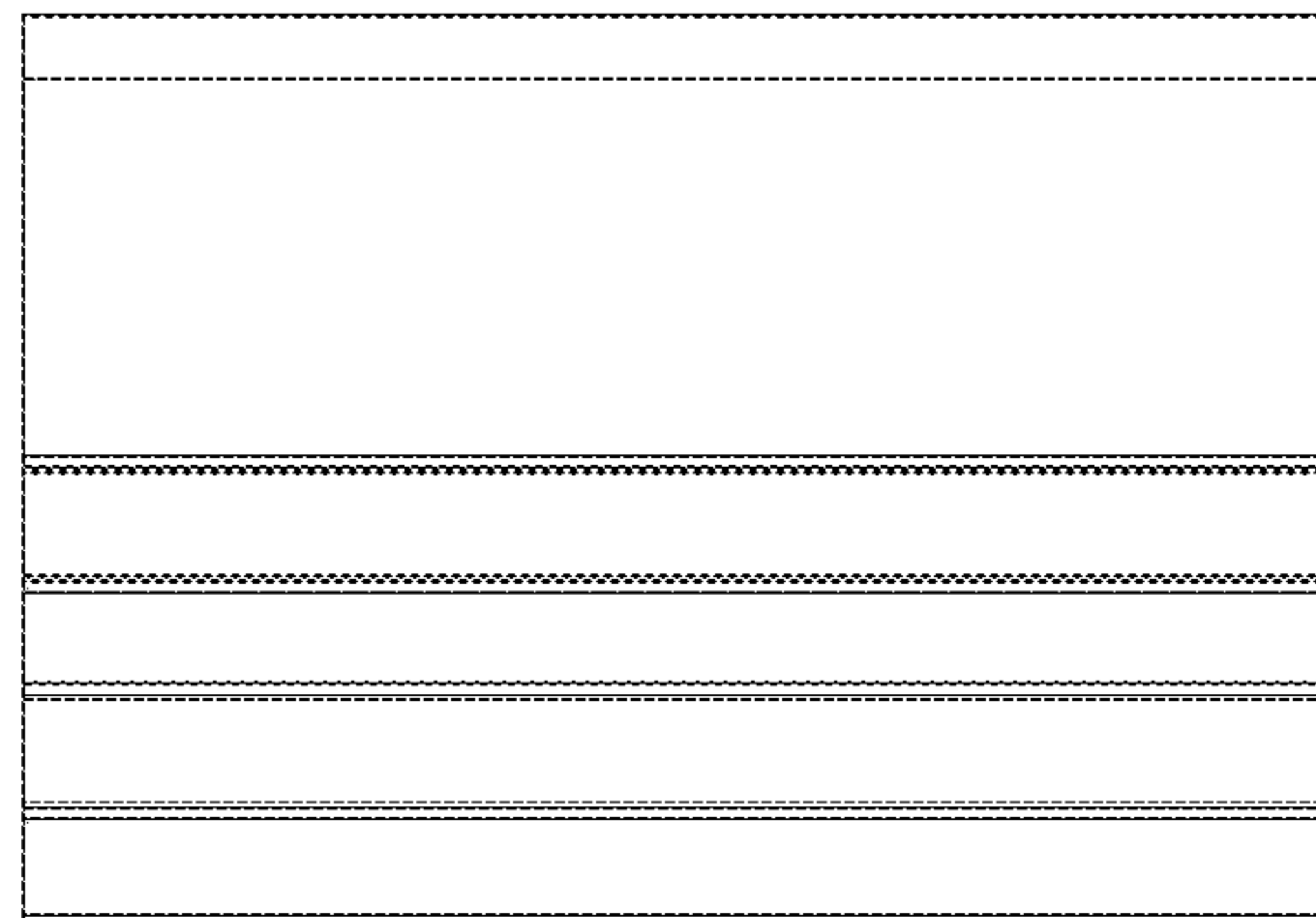


FIG. 13

FIG. 14

