



US00D770058S

(12) **United States Design Patent** (10) **Patent No.:** **US D770,058 S**  
**Sharpe et al.** (45) **Date of Patent:** **\*\* Oct. 25, 2016**

(54) **VIAL HOLDER ELEMENT**

(56) **References Cited**

(71) Applicant: **Gary L. Sharpe**, Naples, FL (US)  
 (72) Inventors: **Gary Sharpe**, Naples, FL (US); **Brian Dutro**, Columbus, OH (US); **Lacey Porter**, Hilliard, OH (US)  
 (73) Assignee: **Gary L. Sharpe**, Naples, FL (US)  
 (\*\*) Term: **15 Years**  
 (21) Appl. No.: **29/545,767**  
 (22) Filed: **Nov. 16, 2015**

U.S. PATENT DOCUMENTS

D290,401 S \* 6/1987 Bjorkman ..... D24/227  
 D297,053 S \* 8/1988 Janzen ..... D24/230  
 D324,735 S \* 3/1992 Collister ..... D24/128  
 D334,973 S \* 4/1993 Valentine ..... D24/229

(Continued)

*Primary Examiner* — T. Chase Nelson  
*Assistant Examiner* — Mark Cavanna  
 (74) *Attorney, Agent, or Firm* — Standley Law Group LLP; Jeffrey Standley; Matthew Schonauer

(57) **CLAIM**  
 The ornamental design for the vial holder element, as shown and described.

**DESCRIPTION**

FIG. 1 is a top plan view of the vial holder element in accordance with the present invention;  
 FIG. 2 is a bottom plan view of the vial holder element thereof;  
 FIG. 3 is a rear elevation view of the vial holder element thereof;  
 FIG. 4 is a front elevation view of the vial holder element thereof;  
 FIG. 5 is a right side elevation view of the vial holder element thereof;  
 FIG. 6 is a left side elevation view of the vial holder element thereof;  
 FIG. 7 is a lower right exploded perspective view of the vial holder element thereof; and,  
 FIG. 8 is a perspective view of a plurality of the vial holder elements thereof shown in the vial holder configuration. The broken lines in the drawings showing the additional vial holder elements and vials in FIG. 8 are for illustrative purposes only and form no part of the claimed ornamental design. The broken lines in the drawings showing the order of assembly of the exploded view in FIG. 7 are for illustrative purposes only and form no part of the claimed ornamental design. The remaining broken lines in FIGS. 1-8 are directed to portions of the vial holder element that are not considered part of the claimed ornamental design. None of the broken lines form a part of the claimed design.

**Related U.S. Application Data**

(62) Division of application No. 29/480,484, filed on Jan. 27, 2014, now Pat. No. Des. 743,572.

(51) **LOC (10) Cl.** ..... **24-02**

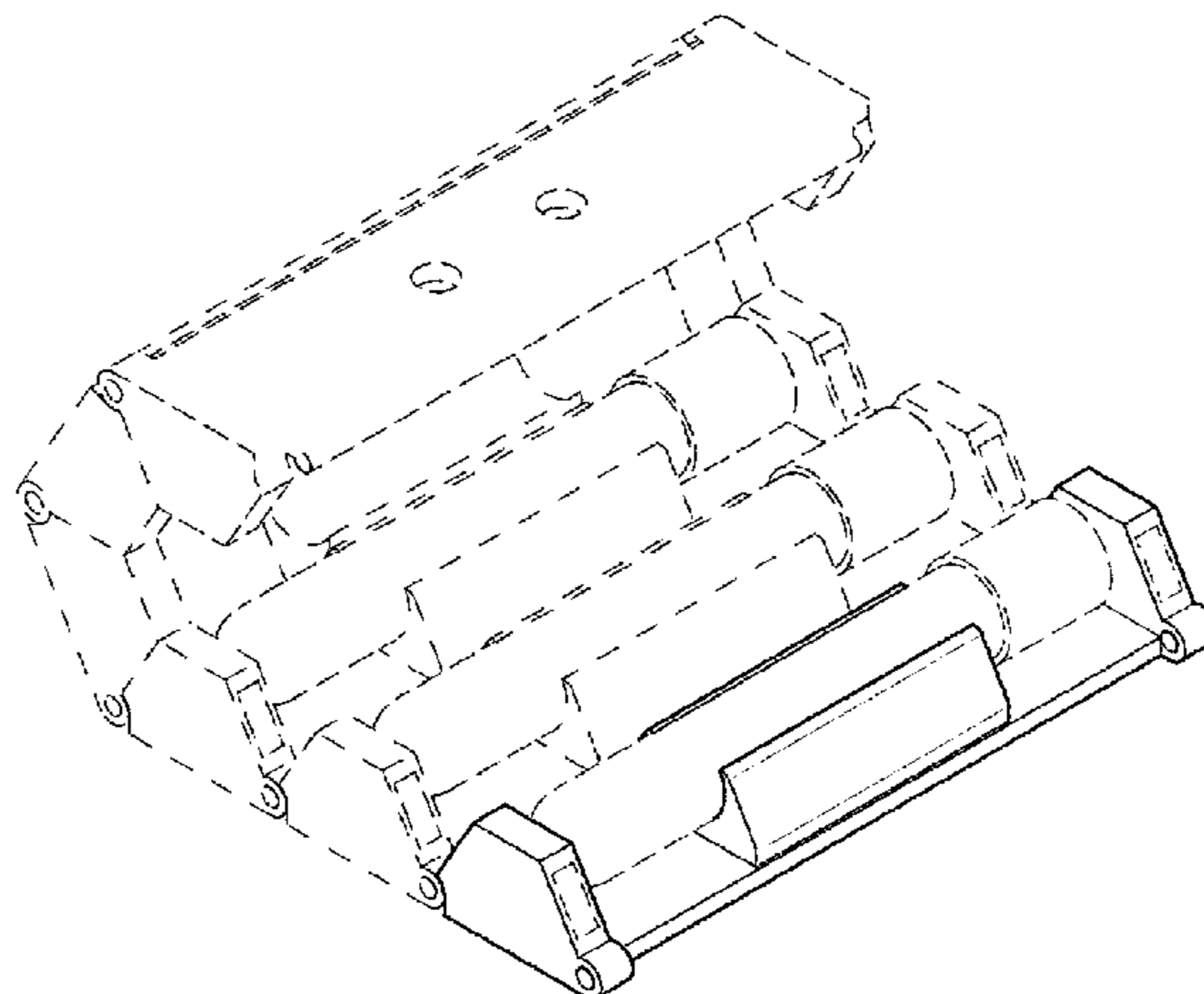
(52) **U.S. Cl.**  
USPC ..... **D24/227**

(58) **Field of Classification Search**

USPC ..... D24/216-232, 121, 152, 128;  
 D3/203.1-203.8, 304; 422/292, 300,  
 422/297, 560-566, 547, 554; D9/749,  
 D9/759-760, 424-425, 430-432;  
 211/126.1, 85.13; 206/557-565,  
 206/363-370, 572, 569  
 CPC ..... A61L 2/18; A61L 2/26; B01L 9/06;  
 B01L 9/543; B01L 9/00; B01L 3/50825;  
 A61B 5/1427; A61B 19/0256; A61B 19/026;  
 A61B 17/205; G01N 35/1002; A47F 5/0025;  
 A47F 7/02; B65D 1/34; B65D 1/36; B65D  
 5/724; B65D 71/72; A61M 25/002; A61M  
 5/002; A61M 5/3205; A61C 19/02

See application file for complete search history.

**1 Claim, 2 Drawing Sheets**



(56)

**References Cited**

U.S. PATENT DOCUMENTS

D337,830 S \* 7/1993 Coyne ..... D24/227  
D342,793 S \* 12/1993 Balmer ..... D24/224  
D344,138 S \* 2/1994 Nagata ..... D24/224  
D434,495 S \* 11/2000 Whalen ..... D24/128  
D435,665 S \* 12/2000 Ogle ..... D24/225  
D486,580 S \* 2/2004 Abdel-Model ..... D24/227  
D498,851 S \* 11/2004 Halbich ..... D24/227

D514,705 S \* 2/2006 Bublewitz ..... D24/224  
D617,468 S \* 6/2010 Marquardt ..... D24/225  
D657,460 S \* 4/2012 Uhlenkamp ..... D24/128  
D657,473 S \* 4/2012 Miyashita ..... D24/224  
D662,603 S \* 6/2012 Greenizen ..... D24/227  
D665,096 S \* 8/2012 Marsche ..... D24/227  
D668,780 S \* 10/2012 Wilson ..... D24/167  
D708,347 S \* 7/2014 Lober ..... D24/227  
D720,470 S \* 12/2014 Lober ..... D24/227  
D743,572 S \* 11/2015 Sharpe ..... D24/227

\* cited by examiner

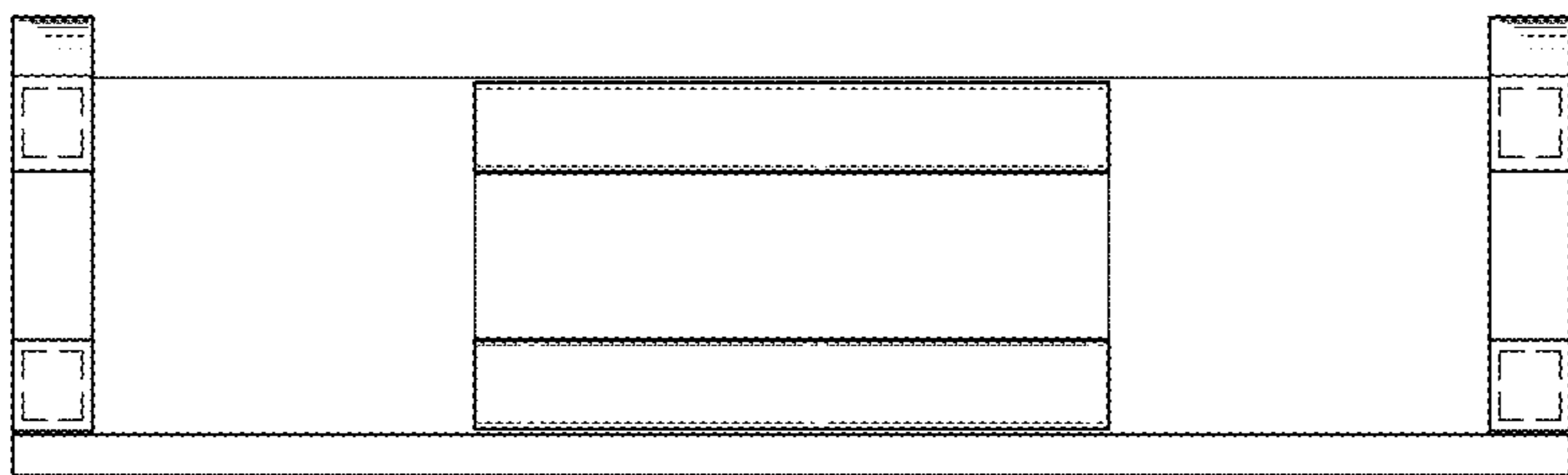


FIG. 1

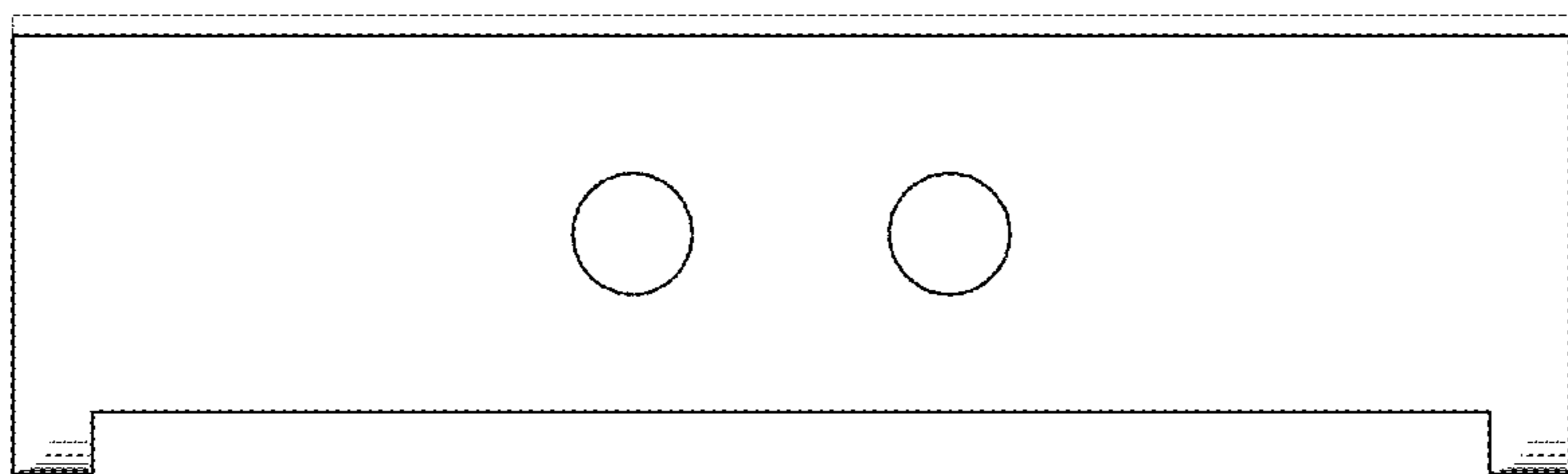


FIG. 2

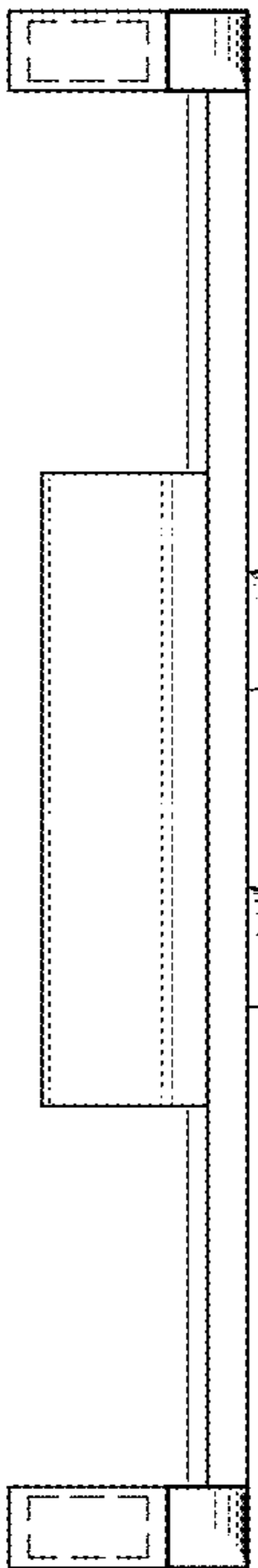


FIG. 3

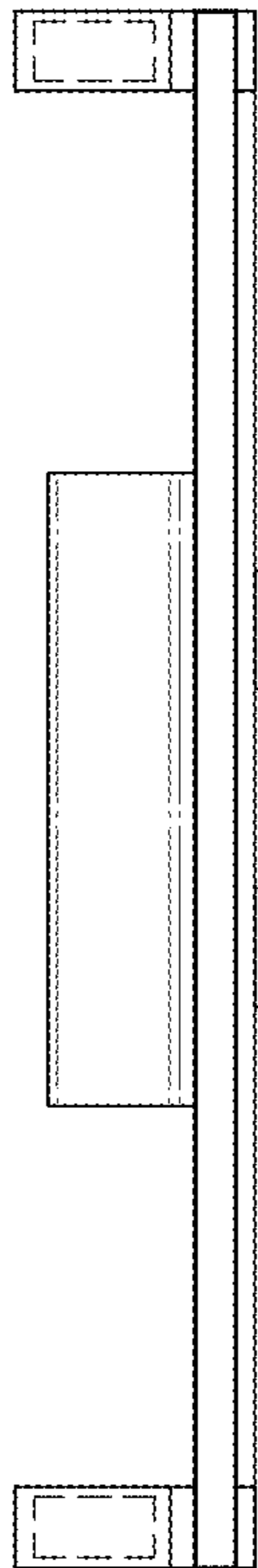


FIG. 4

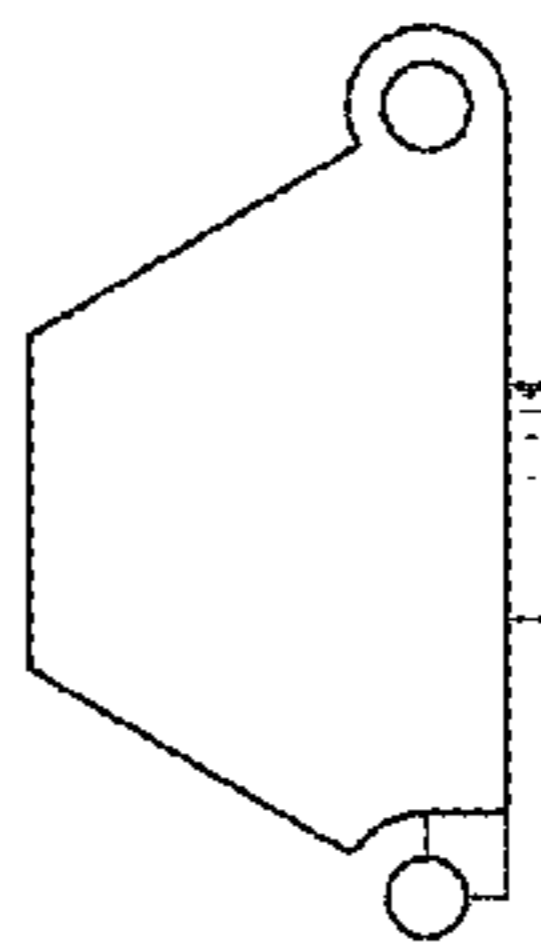


FIG. 5

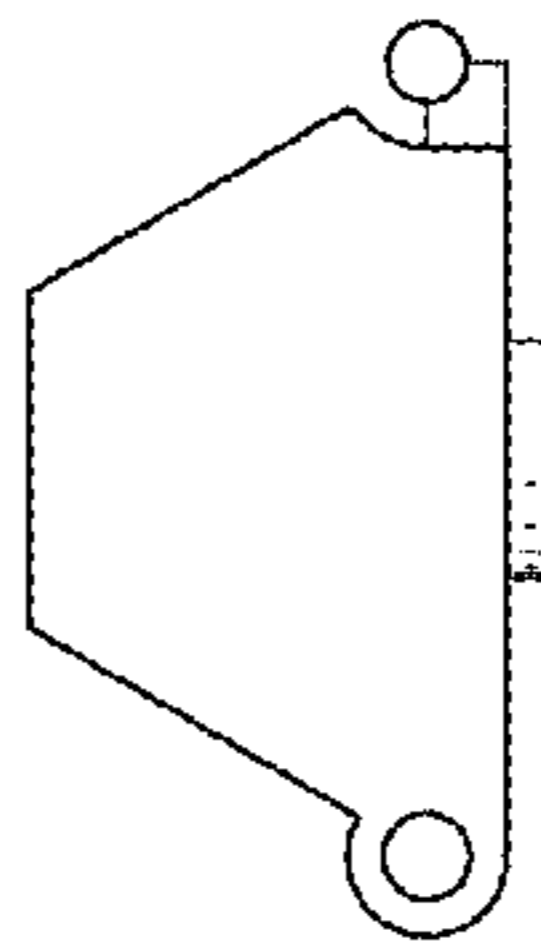


FIG. 6

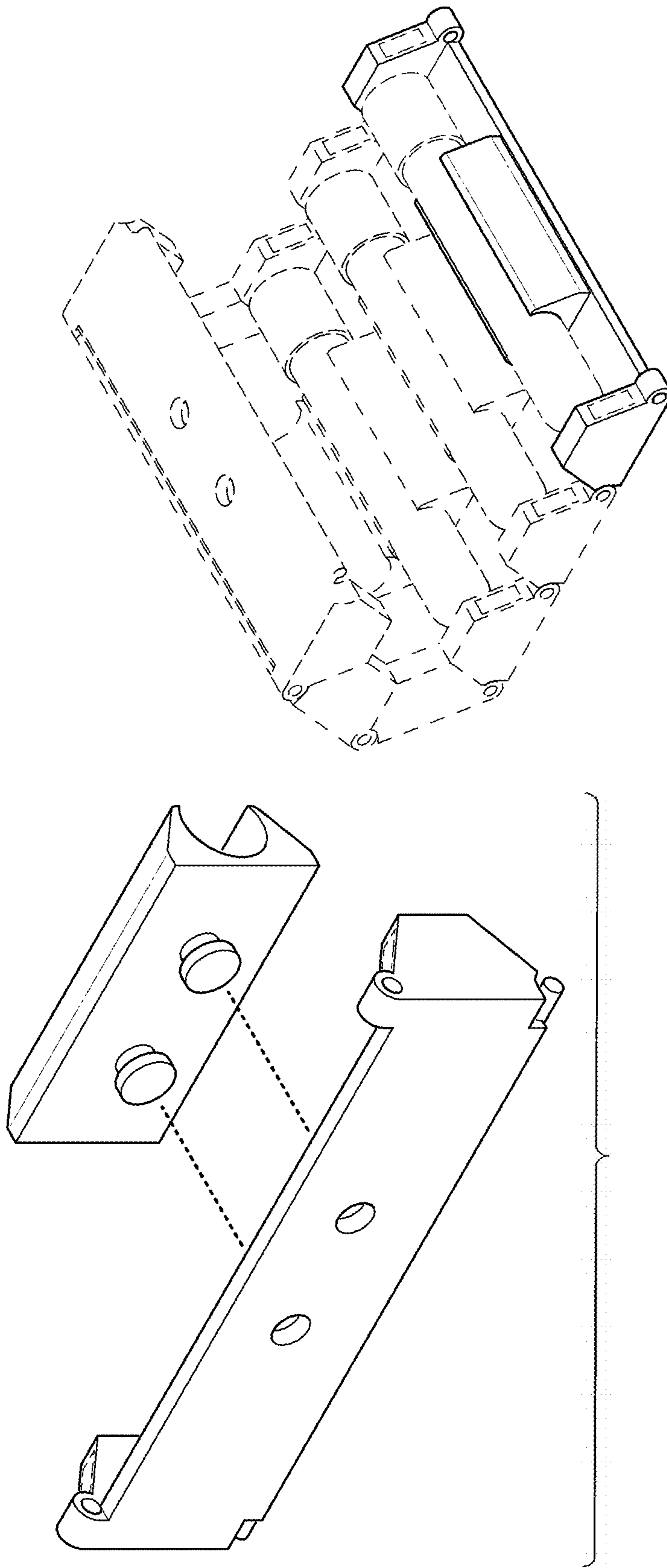


FIG. 8

FIG. 7