



US00D770056S

(12) **United States Design Patent** (10) **Patent No.:** **US D770,056 S**  
**LaCroix** (45) **Date of Patent:** **\*\* Oct. 25, 2016**

(54) **MANUAL PIPETTE**  
(71) Applicant: **Integra Biosciences AG**, Zizers (CH)  
(72) Inventor: **Christopher P. LaCroix**, Bedford, NH (US)  
(73) Assignee: **Integra Biosciences AG** (CH)  
(\*\*) Term: **14 Years**  
(21) Appl. No.: **29/511,834**  
(22) Filed: **Dec. 15, 2014**  
(51) **LOC (10) Cl.** ..... **24-02**  
(52) **U.S. Cl.**  
USPC ..... **D24/222**  
(58) **Field of Classification Search**  
USPC ..... D24/216, 222, 114-115; 422/501, 422/511-525, 431, 919-934; 73/864.11-864.18, 73.14, 863.32, 73/864.01; 436/178-180; 81/3.09  
CPC ..... B01L 3/02; B01L 3/0279; G01N 1/00; G01N 1/14; G01N 35/10; G01F 11/02; A47G 23/00; A47G 23/02  
See application file for complete search history.

D387,426 S 12/1997 Husar et al.  
5,950,504 A 9/1999 Italia  
5,983,733 A 11/1999 Strandberg et al.  
D419,685 S 1/2000 Jacquet et al.  
6,019,004 A 2/2000 Conley et al.  
D426,642 S 6/2000 Rainin et al.  
D426,643 S 6/2000 Rainin et al.  
6,074,611 A 6/2000 Flesher  
6,123,905 A 9/2000 Torti et al.  
D438,630 S 3/2001 Honore  
6,235,244 B1 5/2001 Allen et al.  
6,428,750 B1 8/2002 Rainin et al.  
6,532,837 B1 3/2003 Magussen et al.  
6,732,598 B2 5/2004 Schoeppe  
6,780,381 B2 8/2004 Yiu  
6,793,891 B2 9/2004 Yiu  
6,923,938 B2 8/2005 Cote et al.  
7,046,230 B2 5/2006 Zadesky et al.  
7,175,813 B2 2/2007 Petrek et al.  
7,219,567 B2 5/2007 Porat et al.

(Continued)

*Primary Examiner* — T. Chase Nelson  
*Assistant Examiner* — Mark Cavanna  
(74) *Attorney, Agent, or Firm* — Andrus Intellectual Property Law, LLP

(57) **CLAIM**  
The ornamental design for a manual pipette, as shown and described.

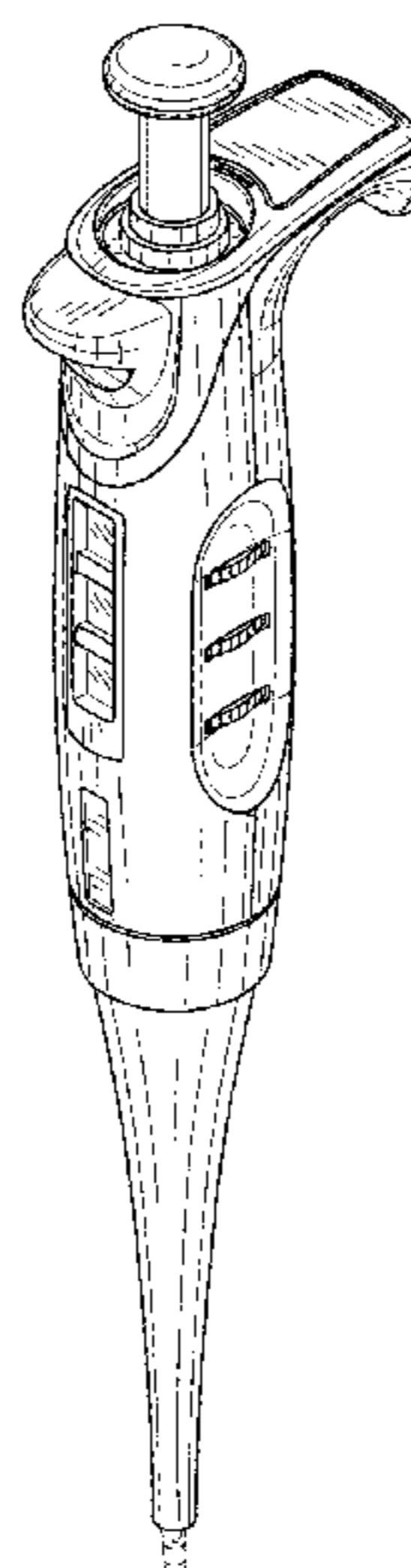
(56) **References Cited**  
U.S. PATENT DOCUMENTS

D252,823 S 9/1979 Withers et al.  
D260,554 S \* 9/1981 Roach ..... D24/222  
4,418,580 A 12/1983 Satchell et al.  
4,567,780 A 2/1986 Oppenlander et al.  
D299,956 S 2/1989 Saint-Amand  
D303,151 S 8/1989 Saint-Amand  
D303,152 S 8/1989 Saint-Amand  
D333,705 S 3/1993 Garren et al.  
D357,324 S 4/1995 Bartal  
D368,142 S 3/1996 Malinoff et al.  
D373,828 S 9/1996 Malinoff et al.  
D375,798 S 11/1996 Boothby  
D384,162 S 9/1997 Husar et al.  
D384,163 S 9/1997 Husar et al.

**DESCRIPTION**

FIG. 1 is a perspective view of the manual pipette, showing the new design;  
FIG. 2 is a left side view thereof;  
FIG. 3 is a front side view thereof;  
FIG. 4 is a right side view thereof;  
FIG. 5 is a rear view thereof;  
FIG. 6 is a top view thereof; and,  
FIG. 7 is a bottom view thereof.  
The broken lines in the drawings are included for the purpose of illustrating portions of the manual pipette that form no part of the claimed design.

**1 Claim, 3 Drawing Sheets**



# US D770,056 S

Page 2

---

(56)

## References Cited

### U.S. PATENT DOCUMENTS

D548,358 S 8/2007 Koop  
7,284,454 B2 10/2007 Cote  
D561,346 S 2/2008 Alejos

D596,754 S 7/2009 Cote et al.  
8,397,593 B2 3/2013 Petrek et al.  
2003/0099578 A1\* 5/2003 Cote ..... B01L 3/0224  
422/525

\* cited by examiner

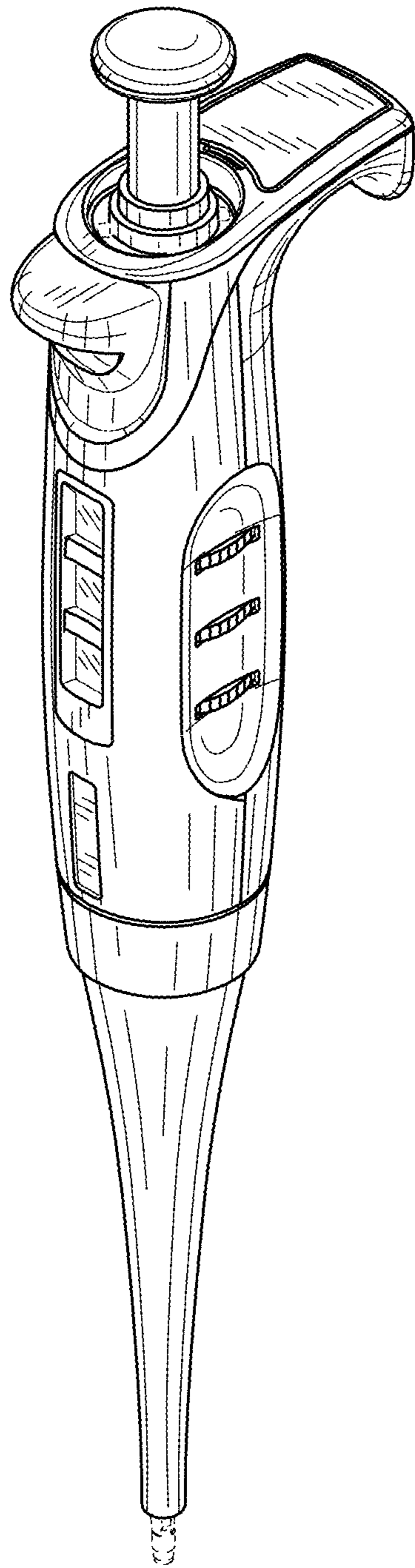


FIG. 1

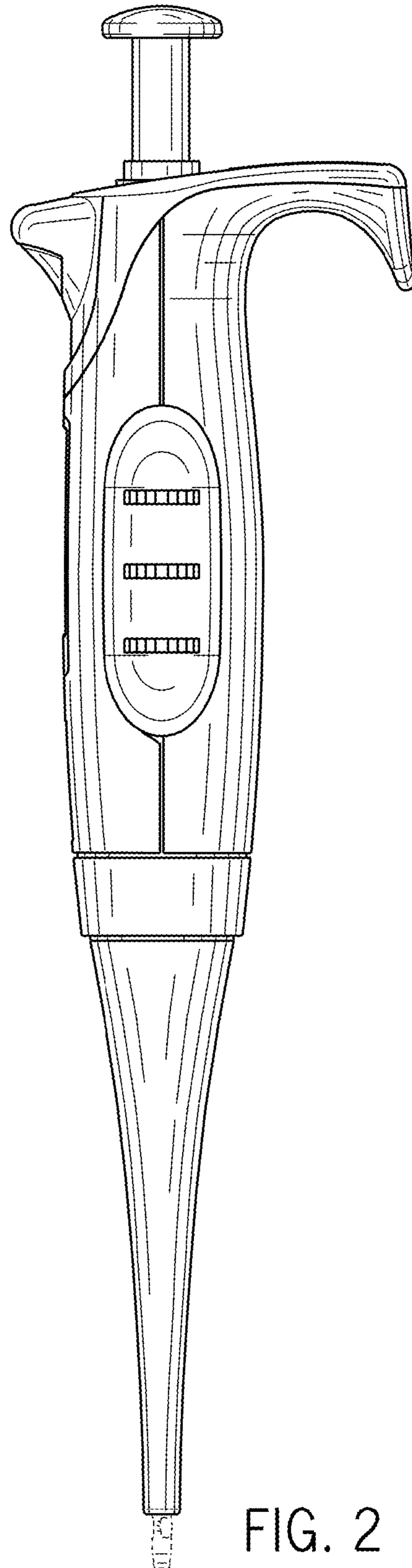


FIG. 2

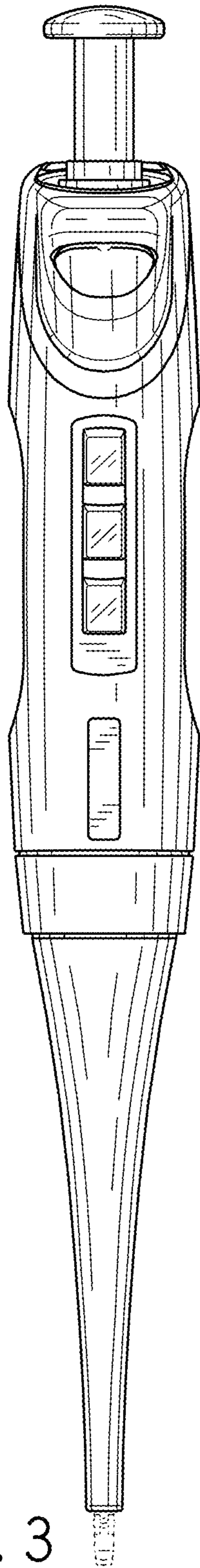


FIG. 3

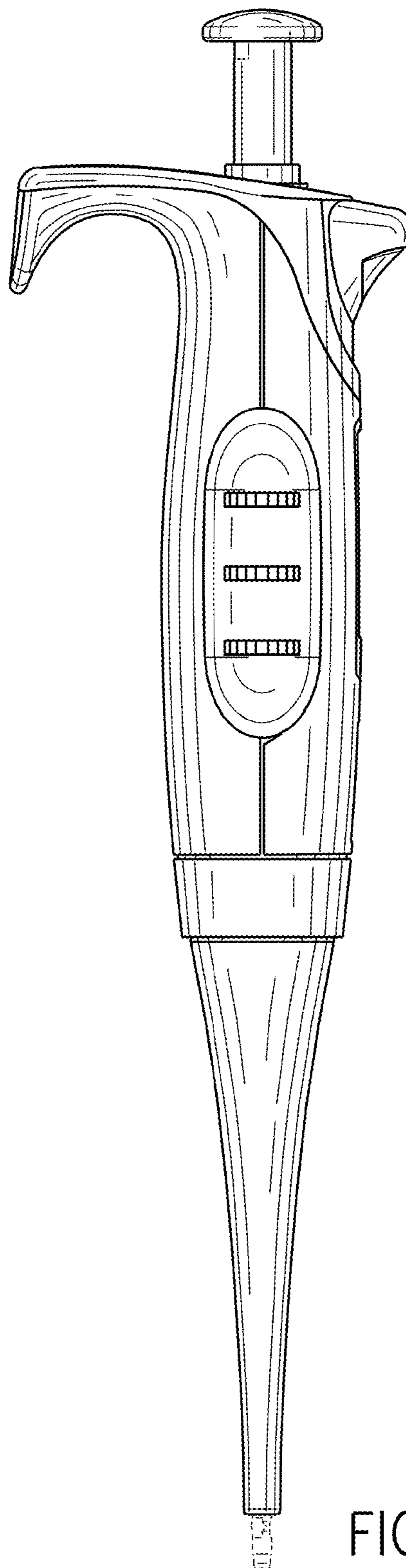


FIG. 4



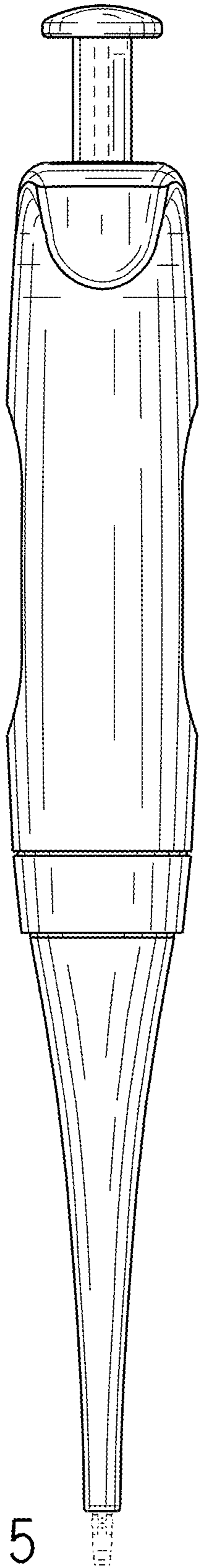


FIG. 5

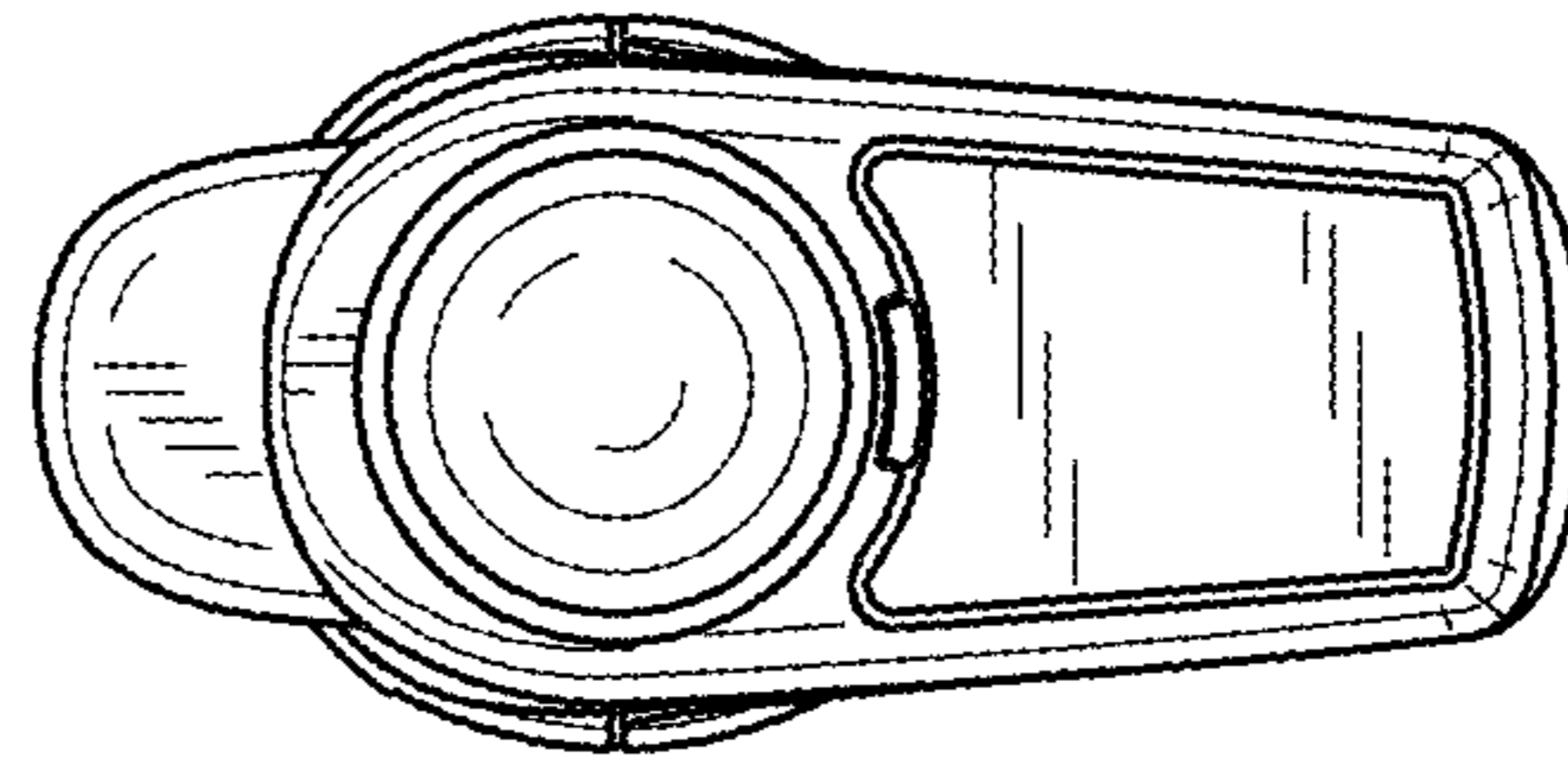


FIG. 6

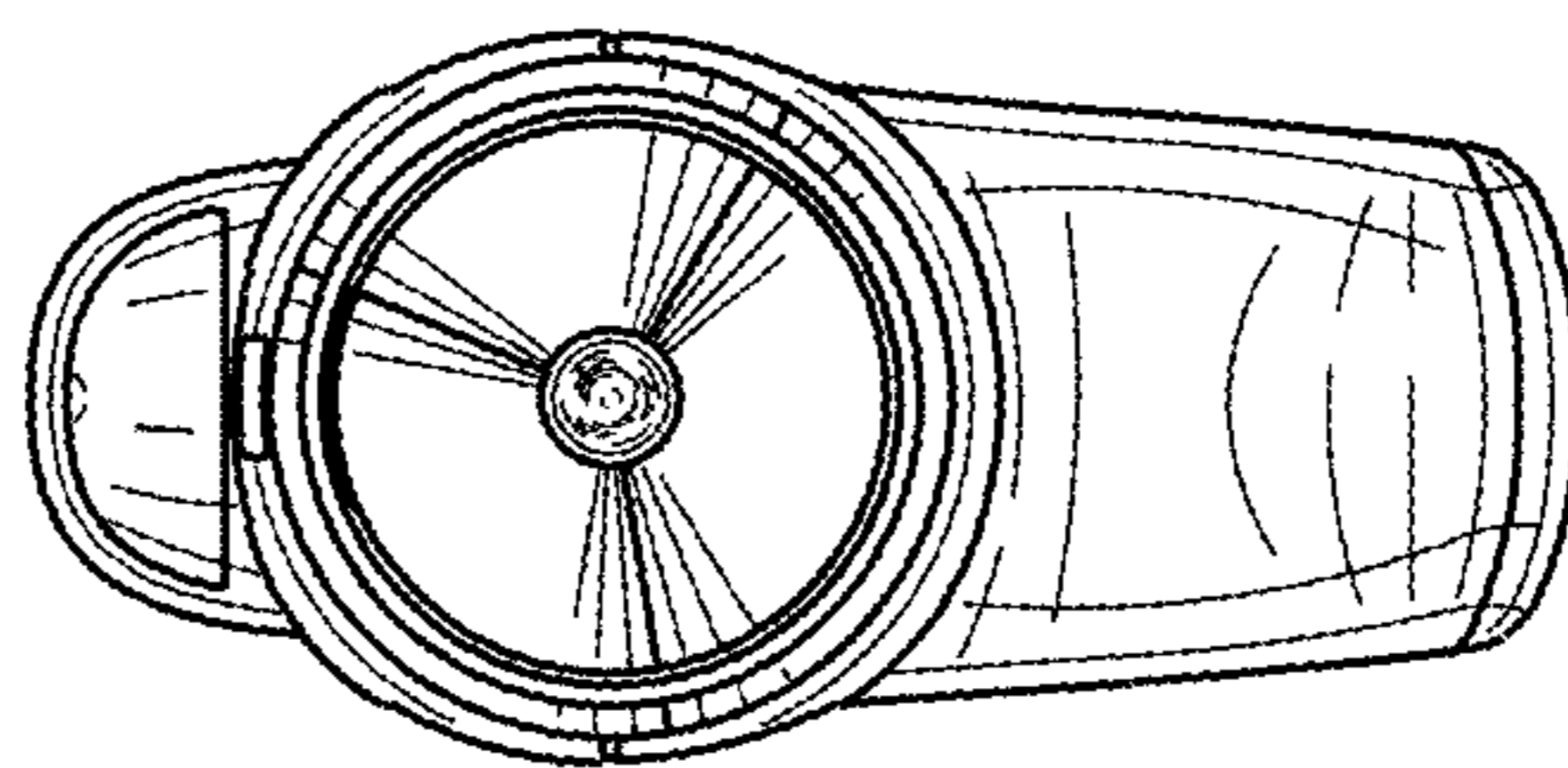


FIG. 7