



US00D770055S

(12) **United States Design Patent** (10) **Patent No.:** **US D770,055 S**
Sedic (45) **Date of Patent:** **** Oct. 25, 2016**

(54) **PERSONAL SLEEVE**
(71) Applicant: **Lelo Inc.**, San Jose, CA (US)
(72) Inventor: **Filip Sedic**, Stockholm (SE)
(**) Term: **15 Years**
(21) Appl. No.: **29/539,752**
(22) Filed: **Sep. 17, 2015**
(51) **LOC (10) Cl.** **28-03**
(52) **U.S. Cl.**
USPC **D24/215**
(58) **Field of Classification Search**
USPC D24/200, 211, 212, 213, 214, 215;
601/19, 27-32, 46, 48, 52, DIG. 12,
601/DIG. 14, DIG. 15, DIG. 16, DIG. 17, 99,
601/112, 113, 118, 119, 120, 121;
D30/160; D14/218; D11/26
CPC A61H 19/30; A61H 19/32; A61H 19/34;
A61H 19/40; A61H 19/44; A61H 19/50;
A61H 19/00; A61H 2201/0153; A61H
2201/0207; A61H 2201/0263; A61H
2201/0111; A61H 2201/1253; A61H
2205/082; A61H 2205/085; A61H 15/0085;
A61H 15/0092
See application file for complete search history.

(56) **References Cited**
U.S. PATENT DOCUMENTS
5,143,056 A * 9/1992 Yih-Jong A61H 15/00
601/118
D652,945 S * 1/2012 Chen D24/215
D674,906 S * 1/2013 Matsuura D24/215
D674,907 S * 1/2013 Matsuura D24/215
D674,908 S * 1/2013 Matsuura D24/215
D674,909 S * 1/2013 Matsuura D24/215

D675,331 S * 1/2013 Matsuura D24/215
D693,934 S * 11/2013 Lin D24/215
D700,346 S * 2/2014 Palizzi D24/211
D712,564 S * 9/2014 Nan D24/215
D713,050 S * 9/2014 Kao D24/211
8,926,482 B2 * 1/2015 Miller, Jr. A63B 22/20
482/132
9,005,146 B2 * 4/2015 Phillips A61H 15/0092
482/132
D736,400 S * 8/2015 Matsuura D24/215
D737,456 S * 8/2015 McDonough D24/211
D749,233 S * 2/2016 Phillips D24/211
D755,304 S * 5/2016 Ackerman D21/662
2012/0310125 A1 * 12/2012 Hall A61H 15/0085
601/120

* cited by examiner

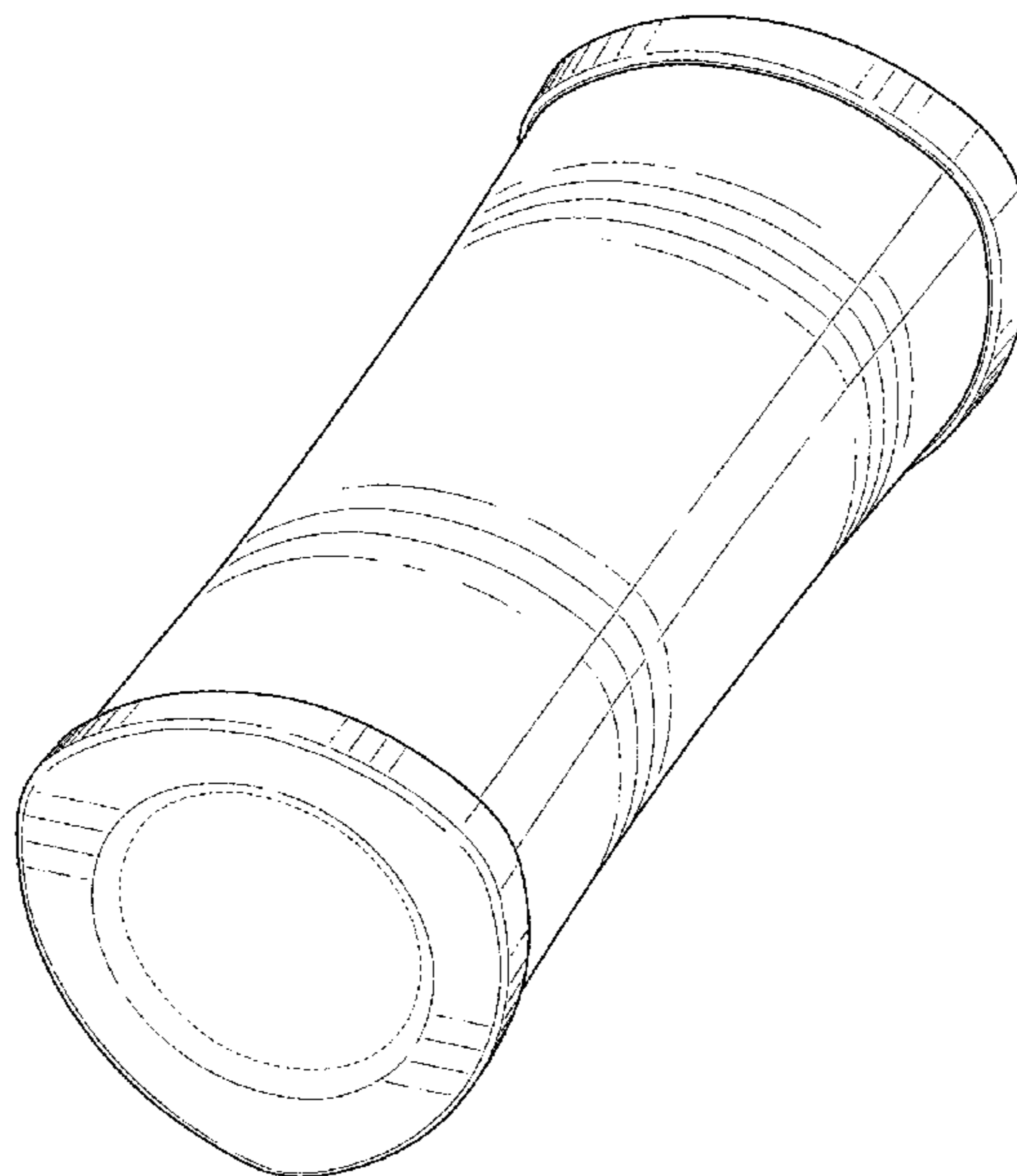
Primary Examiner — Sandra Snapp
(74) *Attorney, Agent, or Firm* — Fenwick & West LLP

(57) **CLAIM**
The ornamental design for a personal sleeve, as shown and described.

DESCRIPTION

FIG. 1 is a front, top, and right side perspective view of a personal sleeve;
FIG. 2 is a front elevation view thereof;
FIG. 3 is a rear elevation view thereof;
FIG. 4 is a right side elevation view thereof;
FIG. 5 is a left side elevation view thereof;
FIG. 6 is a top plan view thereof; and,
FIG. 7 is a bottom plan view thereof.
The broken lines in the drawings showing portions of the personal sleeve are included for the purpose of illustrating environmental structure and form no part of the claimed design.

1 Claim, 6 Drawing Sheets



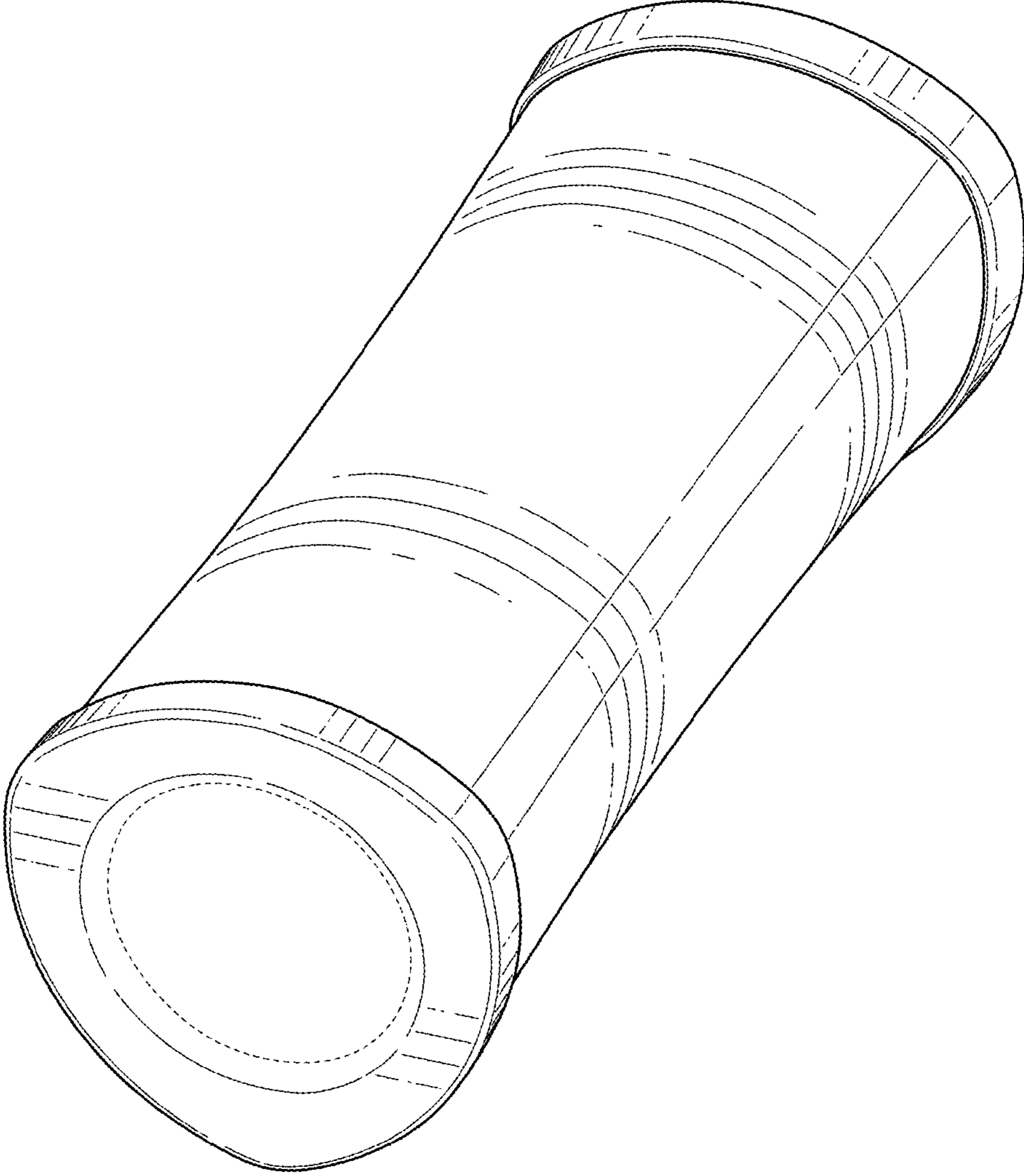


FIG. 1

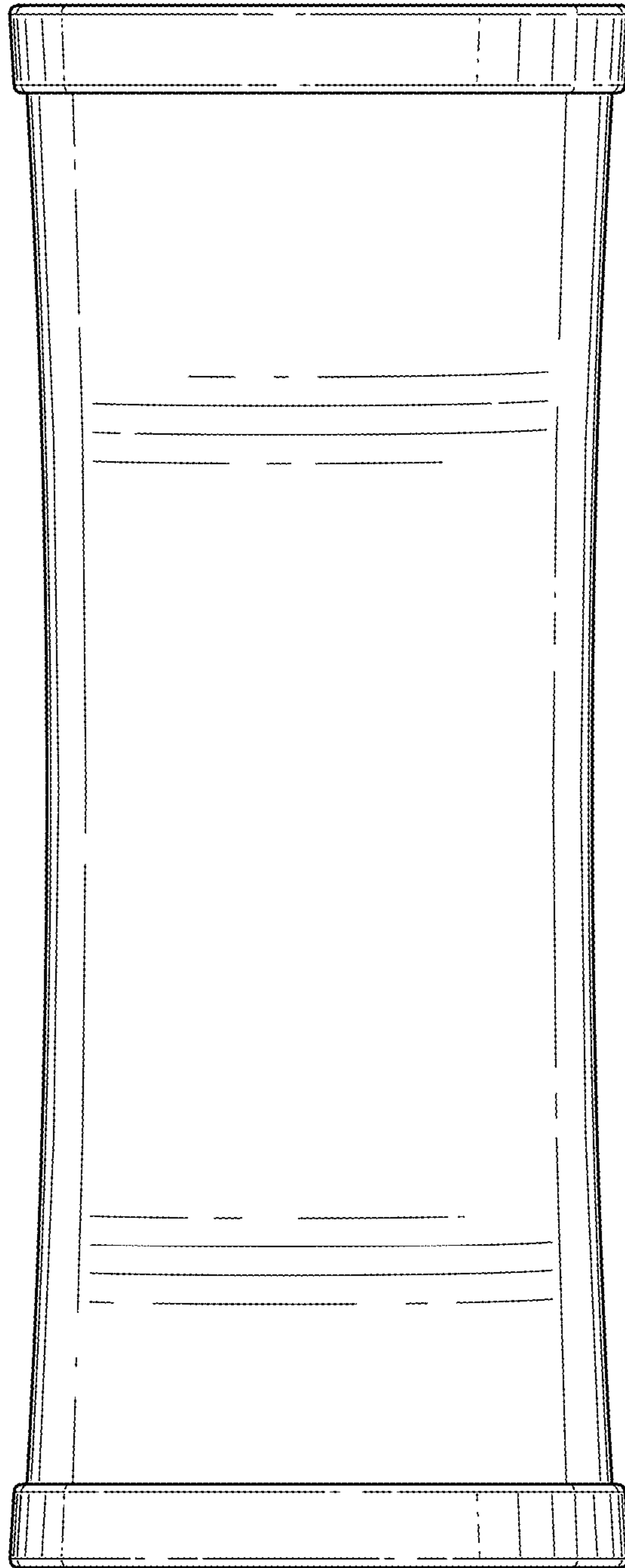


FIG. 2

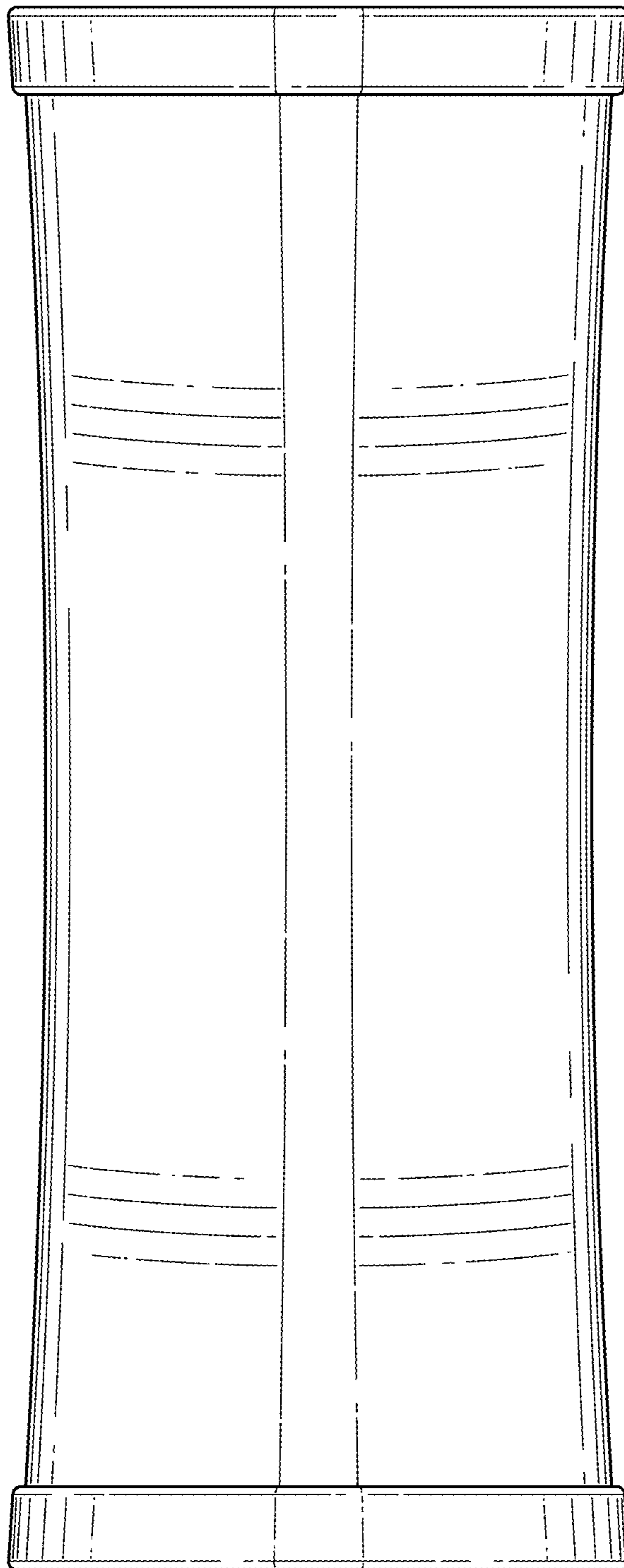


FIG. 3

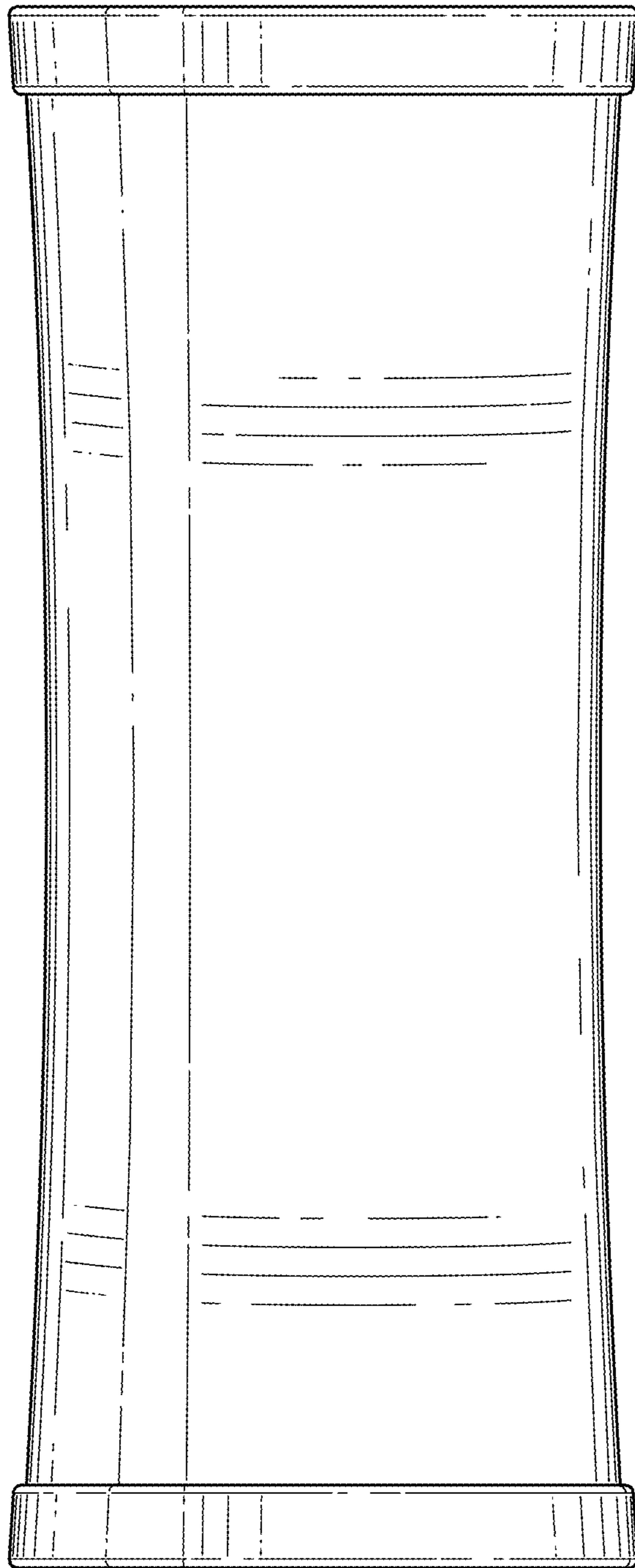


FIG. 4

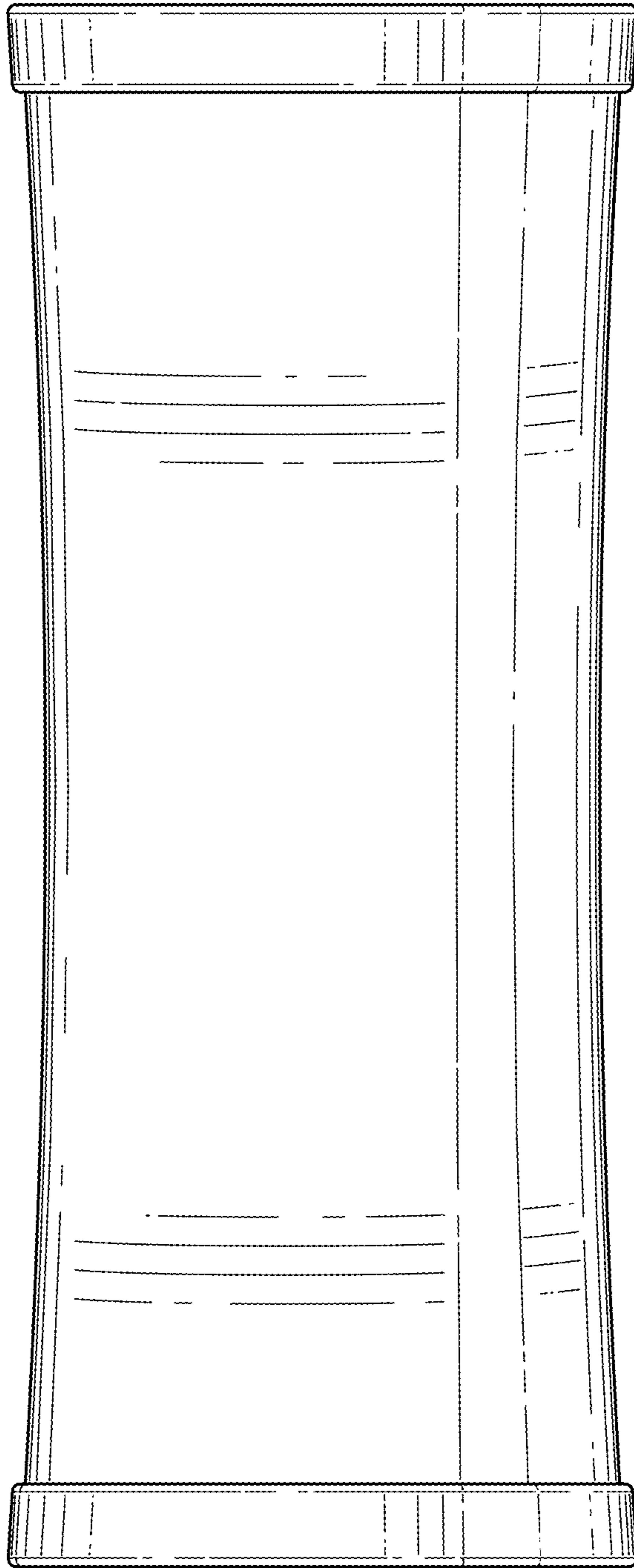


FIG. 5

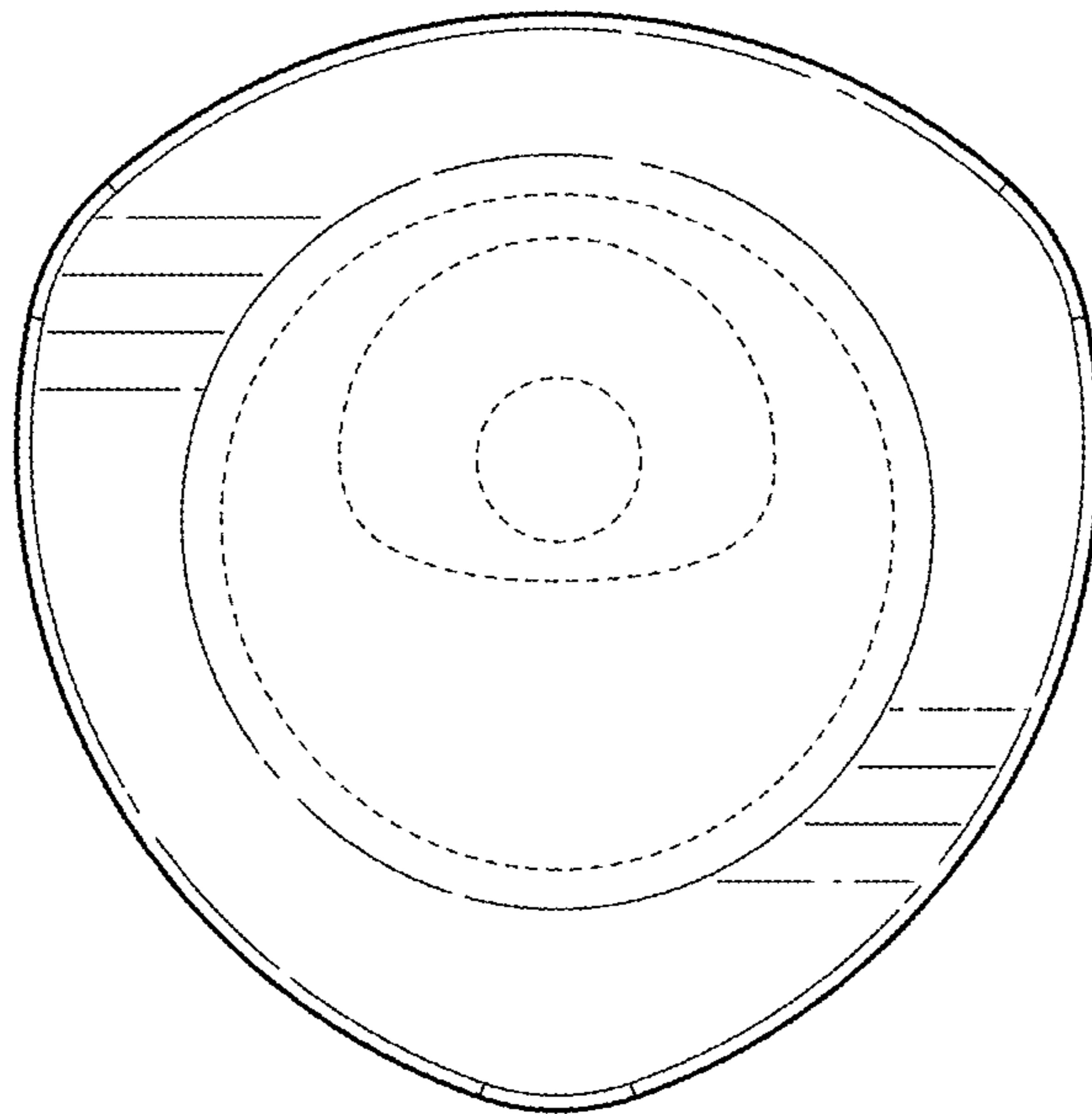


FIG. 6

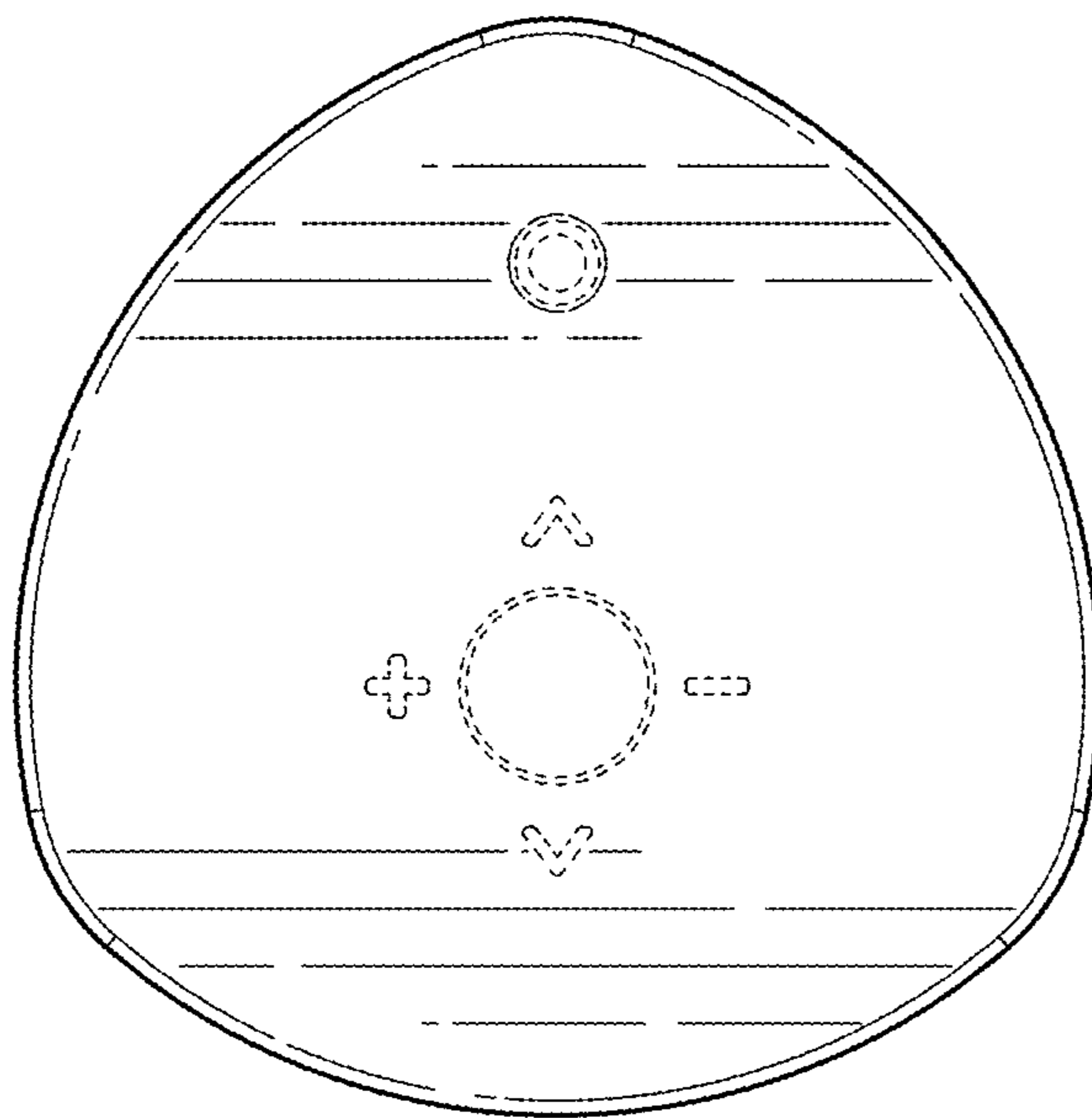


FIG. 7