



US00D770053S

(12) **United States Design Patent** (10) **Patent No.:** **US D770,053 S**
Wathne et al. (45) **Date of Patent:** **** Oct. 25, 2016**

(54) **DRESSING**

(56) **References Cited**

(71) Applicant: **Mölnlycke Health Care AB**, Göteborg (SE)

U.S. PATENT DOCUMENTS

(72) Inventors: **Christian Wathne**, Mölnlycke (SE);
Ritva Miettinen, Skepplanda (SE);
Rose-Marie Fredrikson, Billdal (SE);
Timo Leppänen, Angered (SE);
Yvonne Arnkil Neselius, Västra Frölunda (SE); **Ann-Britt Gergely**, Mölndal (SE)

D31,570 S	9/1899	Stinson	
D83,337 S	2/1931	Mink	
D383,544 S	9/1997	Heckathorn	
D384,151 S *	9/1997	Raufman	D24/126
D403,401 S *	12/1998	Bernard	D24/126
D403,404 S	12/1998	Bernard et al.	
D404,134 S	1/1999	Dunshee	
D404,135 S	1/1999	Dunshee	
D404,514 S	1/1999	Orozco	
D427,677 S *	7/2000	Bruemmer-Prestley	D24/126
D428,143 S *	7/2000	Schmoker	D24/126

(73) Assignee: **Mölnlycke Health Care AB**, Göteborg (SE)

(Continued)

(**) Term: **15 Years**

FOREIGN PATENT DOCUMENTS

(21) Appl. No.: **29/542,615**

EM	000062104-0001	8/2003
EM	000062104-0002	8/2003

(22) Filed: **Oct. 15, 2015**

(Continued)

Related U.S. Application Data

(62) Division of application No. 29/451,682, filed on Apr. 5, 2013, now Pat. No. Des. 743,564.

Primary Examiner — Robert M Spear
Assistant Examiner — Darcey E Heflin
(74) *Attorney, Agent, or Firm* — Ballard Spahr LLP

Foreign Application Priority Data

Oct. 12, 2012	(EM)	001346951-0001
Oct. 12, 2012	(EM)	001346951-0002
Oct. 12, 2012	(EM)	001346951-0003

(57) **CLAIM**

The ornamental design for dressing, as shown and described.

(51) **LOC (10) Cl.** **24-04**

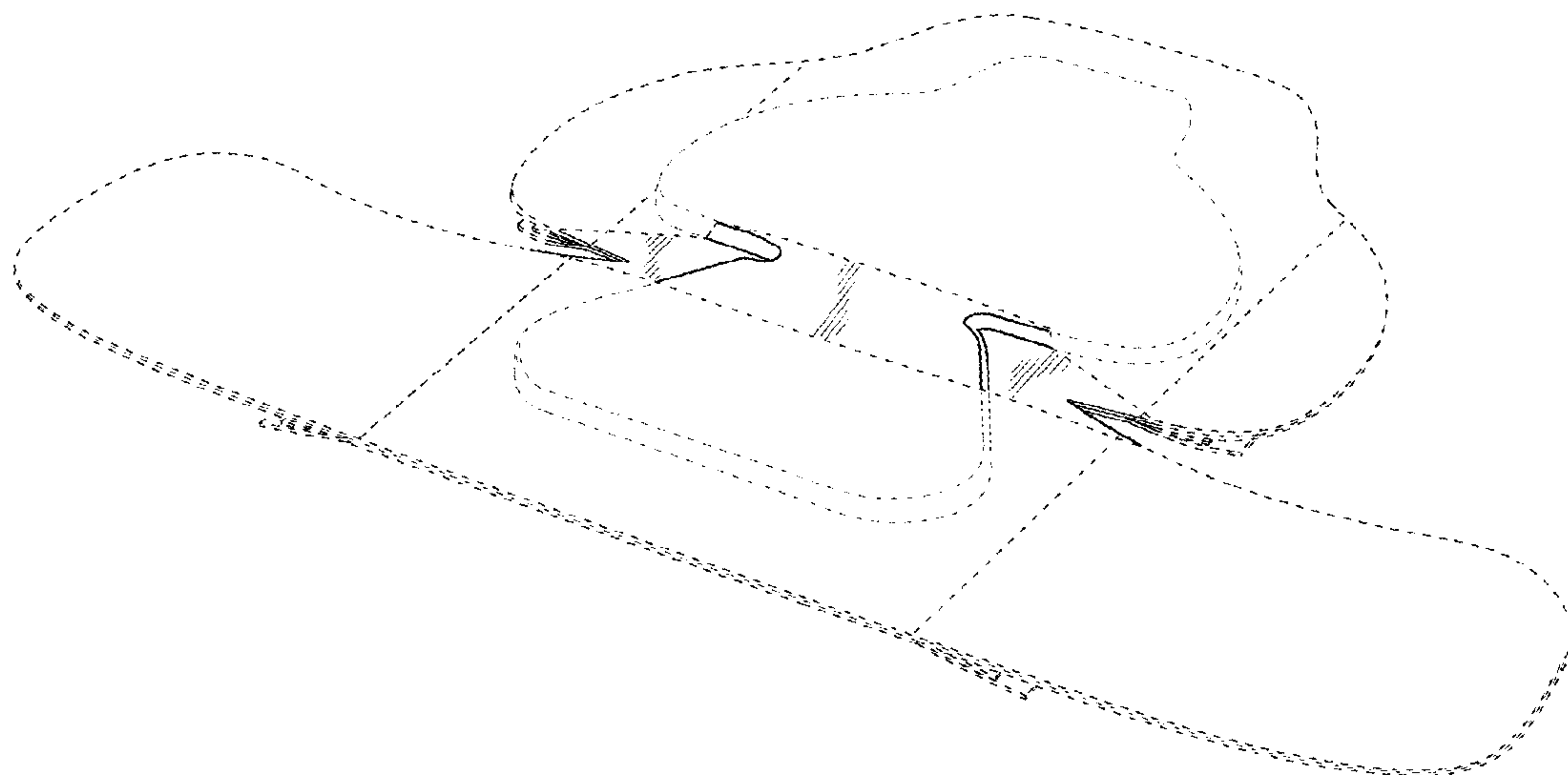
(52) **U.S. Cl.**
USPC **D24/189**

DESCRIPTION

(58) **Field of Classification Search**
USPC D24/124, 126, 189; 128/889; 602/42, 602/54
CPC A61F 13/02
See application file for complete search history.

FIG. 1 is a perspective view of a dressing showing our new design;
FIG. 2 is a perspective view thereof;
FIG. 3 is a top plan view thereof;
FIG. 4 is a rear elevational view thereof;
FIG. 5 is a right side elevational view thereof;
FIG. 6 is a bottom plan view thereof;
FIG. 7 is a left side elevational view thereof; and,
FIG. 8 is a front plan view thereof.
In the drawings, the broken lines depict environmental subject matter only and form no part of the claim.

1 Claim, 4 Drawing Sheets



(56)

References Cited

U.S. PATENT DOCUMENTS

D472,311 S 3/2003 Edens et al.
 D473,947 S 4/2003 Jacobson
 D474,842 S 5/2003 Wolsing et al.
 D476,415 S * 6/2003 Edens D24/124
 D480,144 S 9/2003 Adams et al.
 D484,601 S 12/2003 Griffiths et al.
 D484,602 S 12/2003 Griffiths et al.
 7,049,478 B1 5/2006 Smith
 D524,946 S 7/2006 Shaw et al.
 7,091,394 B2 8/2006 Kolte et al.
 D537,948 S 3/2007 Smith
 D543,622 S * 5/2007 Lash D24/124
 D543,623 S * 5/2007 Lash D24/124
 D552,247 S 10/2007 Uematsu
 7,294,751 B2 11/2007 Propp et al.
 D557,424 S 12/2007 Knight
 D562,461 S 2/2008 Nash
 D569,984 S 5/2008 Reinhardt
 D571,923 S 6/2008 Roberts
 D572,824 S 7/2008 Propp
 D572,827 S 7/2008 Reinhardt et al.
 D573,260 S 7/2008 Dunshee
 D574,084 S 7/2008 Reinhardt
 D574,085 S 7/2008 Lucchetti
 D575,874 S 8/2008 Ormsby
 D577,829 S 9/2008 Reinhardt et al.
 D578,651 S 10/2008 Dunshee
 D579,109 S 10/2008 Zink, II et al.
 D580,553 S 11/2008 Nash
 D583,468 S * 12/2008 Zink, II D24/126
 D584,416 S 1/2009 Reinhardt et al.
 D594,561 S 6/2009 Freeland et al.
 D596,746 S 7/2009 Reinhardt et al.
 D598,115 S 8/2009 Reinhardt et al.
 D601,705 S 10/2009 Bauerfeind et al.
 D601,706 S 10/2009 Bauerfeind et al.
 D601,707 S 10/2009 Chouiller
 D601,708 S 10/2009 Reinhardt et al.
 D602,157 S * 10/2009 Plante D24/124
 D604,423 S 11/2009 Dunshee
 D604,424 S 11/2009 Coubetergues
 D607,112 S 12/2009 Rogers et al.
 D607,113 S 12/2009 Rogers et al.
 D609,802 S 2/2010 Harren
 D611,156 S 3/2010 Dunshee
 D612,060 S 3/2010 Smith
 D618,357 S 6/2010 Navies
 D618,811 S 6/2010 Navies
 D620,122 S 7/2010 Cotton
 D622,404 S 8/2010 Williams

D625,018 S 10/2010 Smith et al.
 D626,219 S * 10/2010 Rubio D24/124
 D629,910 S 12/2010 Ha et al.
 D629,911 S 12/2010 Ha et al.
 D634,423 S 3/2011 Heinecke et al.
 D636,881 S 4/2011 Clemens et al.
 D637,299 S 5/2011 Cowles
 D637,725 S 5/2011 Seminaroti
 D641,868 S * 7/2011 Kline D24/126
 D642,693 S 8/2011 Molter-Gawel et al.
 D646,846 S 10/2011 Roman
 D648,439 S 11/2011 Greener et al.
 D649,652 S 11/2011 Hayton et al.
 D650,908 S 12/2011 Robert
 RE43,195 E 2/2012 Cotton
 D659,241 S * 5/2012 Sakata D24/124
 D659,242 S * 5/2012 Sakata D24/124
 D696,776 S * 12/2013 Hood D24/124
 D738,514 S * 9/2015 Tagami D24/189
 D743,564 S * 11/2015 Wathne D24/189
 D744,093 S * 11/2015 Bova D24/124
 2009/0177135 A1 7/2009 Rogers et al.

FOREIGN PATENT DOCUMENTS

EM 000062104-0003 8/2003
 EM 000086772-0001 10/2003
 EM 000086772-0002 10/2003
 EM 000163159-0001 3/2004
 EM 000245253-0001 10/2004
 EM 000736533-0001 6/2007
 EM 000736533-0002 6/2007
 EM 000881180-0001 2/2008
 EM 000929872-0001 5/2008
 EM 001007728-0001 9/2008
 EM 001007728-0002 9/2008
 EM 001007728-0003 9/2008
 EM 001134779-0001 5/2009
 EM 001654419-0001 1/2010
 EM 001654419-0002 1/2010
 EM 001654419-0003 1/2010
 EM 001654419-0004 1/2010
 EM 001654419-0005 1/2010
 EM 001839234-0001 3/2011
 EM 001845298-0001 4/2011
 EM 001845298-0002 4/2011
 EM 001859844-0001 5/2011
 EM 001976671-0001 1/2012
 EM 001976671-0002 1/2012
 EM 001976671-0003 1/2012
 EP 0552271 A1 7/1993
 GB 2473667 A 3/2011

* cited by examiner

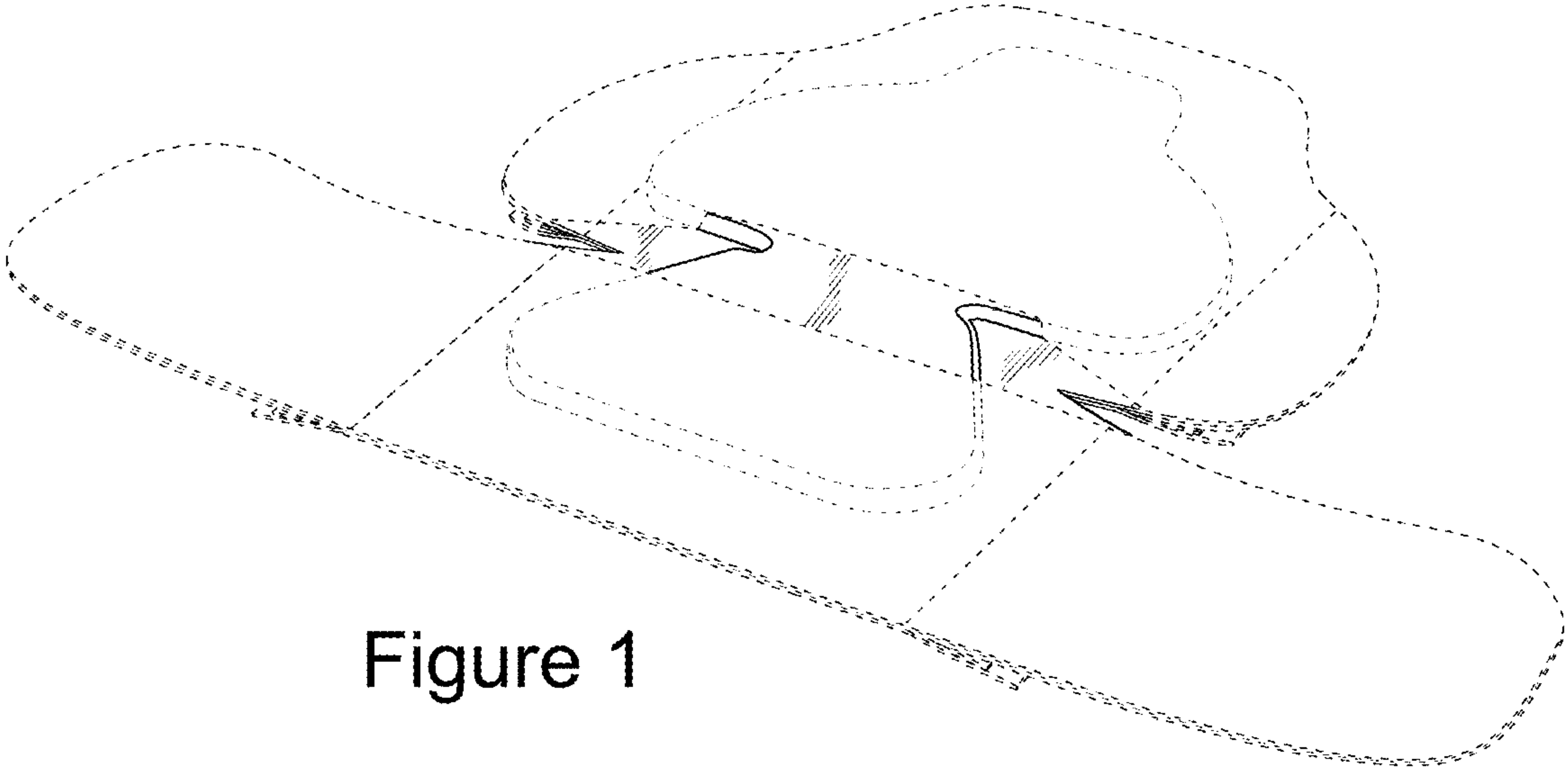


Figure 1

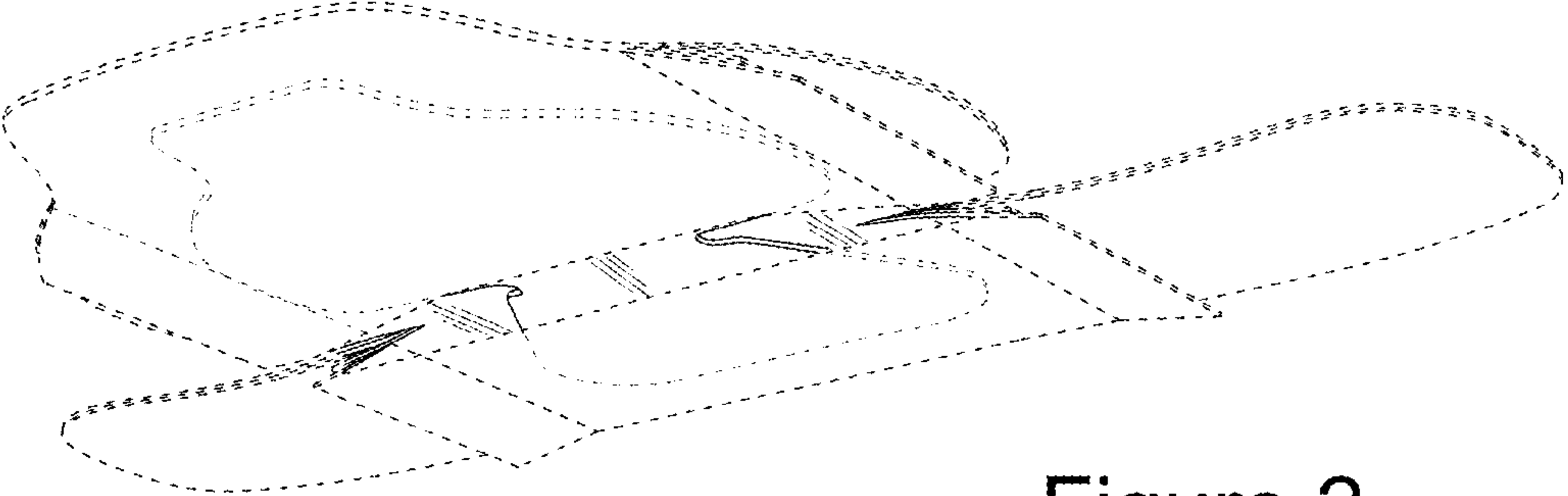


Figure 2

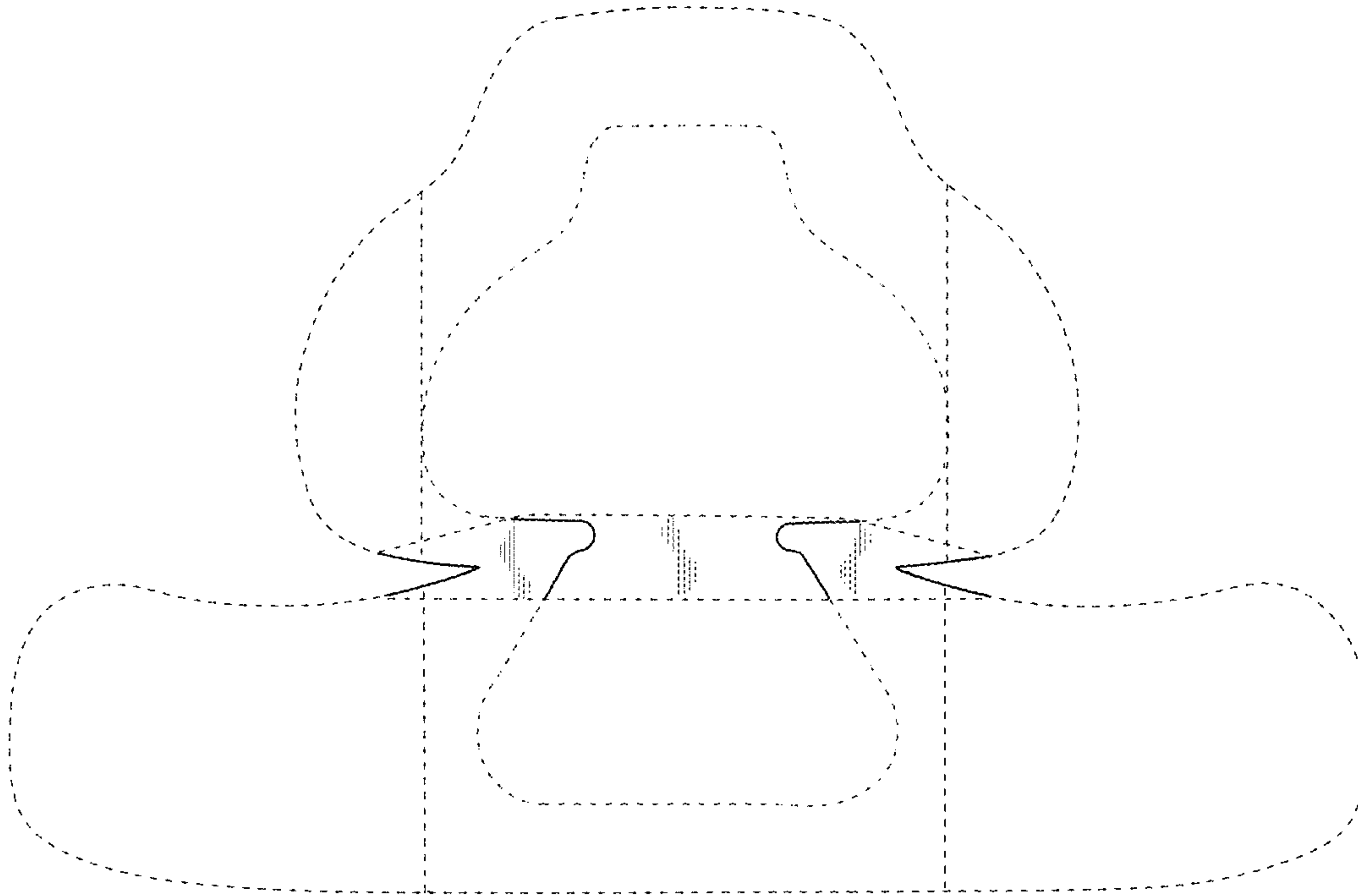


Figure 3

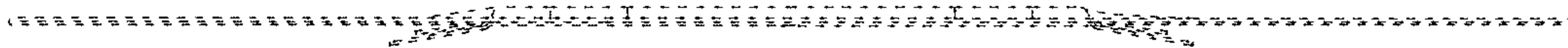


Figure 4

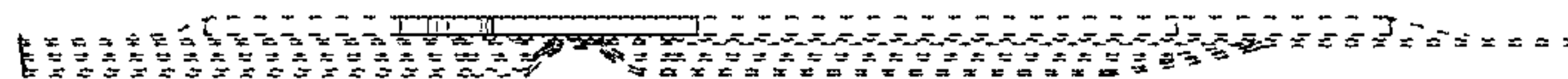


Figure 5

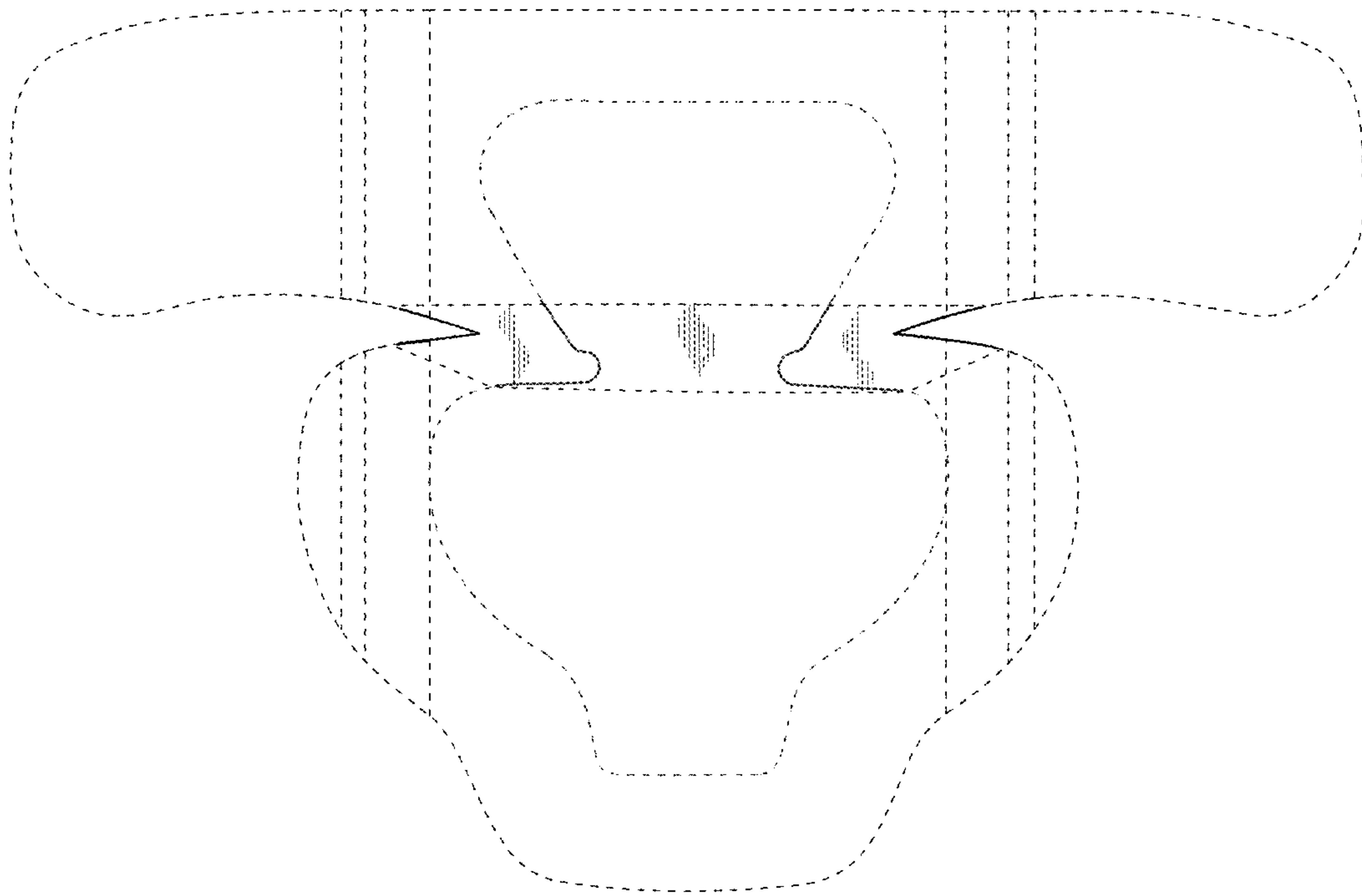


Figure 6

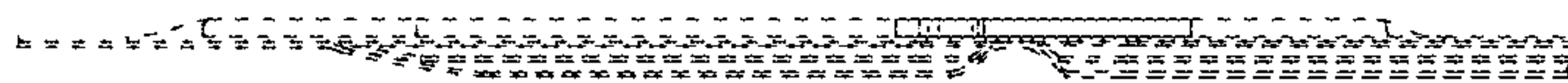


Figure 7

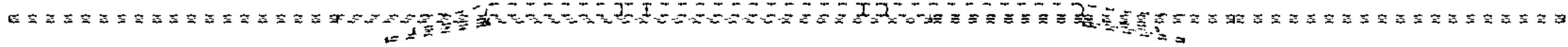


Figure 8